



Wet/Dry Vacuums

Operator's Manual



Wall Mountable Wet/Dry Vacuum

Model No.

VWMB508 0101

FOR YOUR SAFETY

Read and understand this manual before use.

Keep this manual for future reference.



Intertek

3084514

CONFORMS TO UL

STD. 1017

Certified to CSA STD.

C22.2 No.243-10

Distributed by:
Costco Wholesale Corporation
P.O. Box 34535
Seattle, WA 98124-1535
USA
1-800-774-2678
www.costco.com

Importado por:
Importadora Primex S.A. de C.V.
Blvd. Magnocentro No.4
San Fernando La Herradura
Huixquilucan, Estado de México
C.P. 52765
RFC: IPR-930907-S70
(55)-5246-5500
www.costco.com.mx

Spanish/Español pg. 19

TABLE OF CONTENTS

SECTION

Warranty	2
Safety Instructions and Warnings	4
Double Insulation Instructions	5
Extension Cords.....	5
Package Contents.....	6
General Assembly Instructions	7
Dry Vacuum Operation	9
Liquid Vacuum Operation	10
Blower Operation	12
Care and Maintenance	13
Installing & Cleaning Cartridge Filter	14
Installing & Cleaning Foam Sleeve Filter	14
Resetting the Remote Control	15
Troubleshooting	16
Exploded View	17
Parts List	18

Thank you for purchasing this Vacmaster® wet/dry vacuum cleaner.

Feel confident that with Vacmaster® you are obtaining a high quality product engineered for optimal performance. This vacuum is capable of picking up liquids and dry materials.

FOR YOUR SAFETY: CAREFULLY READ AND UNDERSTAND ALL INSTRUCTIONS.

WARRANTY

We take pride in producing a high quality, durable product. This Vacmaster® product carries a limited two (2) year warranty against defects in workmanship and materials from date of purchase under normal household use. If product is to be used for commercial, industrial, or rental use, a 90 day limited warranty will apply. Warranty does not apply to defects due to direct or indirect abuse, negligence, misuse, accidents, repairs, alterations, or lack of maintenance.

Please keep your receipt as proof of purchase. This warranty gives you specific legal rights.

For product service in English, call Customer Service at 1-866-384-8432 Mon-Fri 8:30am-5:30pm Eastern Time.

Changes or modifications not expressly approved by the party responsible for compliance could void the user's authority to operate the equipment

This device complies with part 15 of the FCC Rules. Operation is subject to the following two conditions:

(1) This device may not cause harmful interference, and

(2) this device must accept any interference received, including interference that may cause undesired operation.

CAUTION: Any changes or modifications not expressly approved by the party responsible for compliance could void the user's authority to operate the equipment.

Note: This equipment has been tested and found to comply with the limits for a Class B digital device, pursuant to part 15 of the FCC rules. These limits are designed to provide reasonable protection against harmful interference in a residential installation. This equipment generates, uses and can radiate radio frequency energy and, if not installed and used in accordance with the instructions, may cause harmful interference to radio communications. However, there is no guarantee that interference will not occur in a particular installation.

If this equipment does cause harmful interference to radio or television reception, which can be determined by turning the equipment off and on, the user is encouraged to try to correct the interference by one or more of the following measures:

Reorient or relocate the receiving antenna.

Increase the separation between the equipment and receiver.

Connect the equipment into an outlet on a circuit different from that to which the receiver is connected.

Consult the dealer or an experienced radio/TV technician for help.

SAFETY INSTRUCTIONS & WARNINGS

IMPORTANT SAFETY INSTRUCTIONS

READ AND UNDERSTAND ALL INSTRUCTIONS BEFORE USING THIS VACUUM

Read and understand this operator's manual and all labels on the Wet/Dry Vacuum cleaner before operating. Safety is a combination of common sense, staying alert, and knowing how your vacuum works. Use this Wet/Dry Vac only as described in this manual. To reduce the risk of personal injury or damage to your Wet/Dry Vac, use only Vacmaster® recommended accessories.

Household Type

SAVE THIS MANUAL FOR FUTURE REFERENCE.

When using an electrical appliance, basic precautions should always be followed including the following:

WARNING: TO REDUCE THE RISK OF FIRE, ELECTRIC SHOCK OR INJURY:

- Do not run vac unattended.
- Do not vacuum, or use this Wet/Dry Vac near flammable liquids, gases, or explosive vapors like gasoline or other fuels, lighter fluids, cleaners, oil-based paints, natural gas, hydrogen, or explosive dusts like coal dust, magnesium dust, grain dust, or gun powder. Sparks inside the motor can ignite flammable vapors or dust.
- Do not vacuum anything that is burning or smoking, such as cigarettes, matches, or hot ashes.
- Keep cord away from heated surfaces.
- Do not expose to rain. Store indoors.
- Do not unplug by pulling on cord. To unplug, grasp the plug, not the cord.
- Do not use with damaged cord, plug, or other parts.
- If appliance is not working as it should, has been dropped, damaged, left outdoors, or dropped into water, return it to a service center.
- Do not pull or carry by cord, use cord as handle, close a door on cord, or pull cord around sharp edges or corners.
- Do not run Wet/Dry Vac over cord.
- Do not handle plug or the Wet/Dry Vac with wet hands.
- To reduce the risk of health hazards from vapors or dusts, do not vacuum toxic materials.
- Do not use or store near hazardous materials.
- Do not use this Wet/Dry Vac with a torn filter or without the filter installed except when vacuuming liquids as described in the operation section of this manual.
- Do not allow to be used as a toy. Close attention is necessary when used by or near children.
- To reduce the risk of injury from accidental starting, unplug power cord before changing or cleaning filter.
- Do not leave Wet/Dry Vac unattended when plugged in. Unplug from outlet when not in use and before servicing.
- Turn off Wet/Dry Vac before unplugging.
- Do not put any object into ventilation openings. Do not vacuum with any ventilation openings blocked; keep free of dust, lint, hair, or anything that may reduce air flow.
- Keep hair, loose clothing, fingers, and all parts of body away from openings and moving parts.
- To reduce the risk of falls, use extra care when cleaning on stairs.
- Unplug before connecting hose.
- Use only as described in this manual. Use only manufacturer's recommended attachments.
- This appliance is provided with double insulation. Use only identical replacement parts. See "DOUBLE INSULATION INSTRUCTIONS".

When using as blower:

- Direct air discharge only at work area.
- Do not use Wet/Dry Vac as a sprayer.
- Do not direct air at bystanders.
- Keep children away when blowing.
- Use safety goggles.


DOUBLE INSULATION INSTRUCTIONS

This Wet/Dry Vac is double-insulated, eliminating the need for a separate grounding system. Use only identical replacement parts. Read the instructions for Servicing Double-Insulated Wet/Dry Vacs before servicing. Use this Wet/Dry Vac as described in this manual. Observe the following warnings that appear on the motor housing of your Wet/Dry Vac.



DOUBLE INSULATED - GROUNDING NOT REQUIRED - WHEN SERVICING USE ONLY IDENTICAL REPLACEMENT PARTS.

WARNING: TO REDUCE THE RISK OF ELECTRIC SHOCK - DO NOT EXPOSE TO RAIN. STORE INDOORS.

WARNING: SERVICING OF DOUBLE-INSULATED WET/DRY VACUUM WITH A DOUBLE-INSULATED WET/DRY VACUUM, TWO SYSTEMS OF INSULATION ARE PROVIDED INSTEAD OF GROUNDING. NO GROUNDING MEANS IS PROVIDED ON A DOUBLE-INSULATED APPLIANCE, NOR SHOULD A MEANS FOR GROUNDING BE ADDED. SERVICING A DOUBLE INSULATED WET/DRY VACUUM REQUIRES EXTREME CARE AND KNOWLEDGE OF THE SYSTEM, AND SHOULD BE DONE ONLY BY QUALIFIED SERVICE PERSONNEL. REPLACEMENT PARTS FOR A DOUBLE-INSULATED WET/DRY VACUUM MUST BE IDENTICAL TO THE PARTS THEY REPLACE. YOUR DOUBLE-INSULATED WET/DRY VAC IS MARKED WITH THE WORDS 'DOUBLE INSULATED' AND THE SYMBOL  (SQUARE WITHIN A SQUARE) MAY ALSO BE MARKED ON THE APPLIANCE.

- To reduce the risk of electric shock - unplug before cleaning or servicing.
- DO NOT use without filters in place.

CAUTION: TO REDUCE THE RISK OF INJURY FROM MOVING PARTS - UNPLUG BEFORE SERVICING.

EXTENSION CORDS

When using an extension cord with your Wet/Dry Vac refer to the following table to determine the required A.W.G. wire size. Before using the vacuum cleaner, make sure the power cord and extension cord are in good working condition. Make repairs or replacements before using the vacuum cleaner. Only use extension cords that are rated for outdoor use.

110V-120V	Length of Extension Cord			
	7.5 m / 25 ft	15.2 m / 50 ft	30.5 m / 100 ft	45.7 m / 150 ft
Amps	A.W.G. Wire Size			
0-6	18	16	16	14
7-10	18	16	14	12
11-12	16	16	14	12
13-16	14	12	Not recommended	

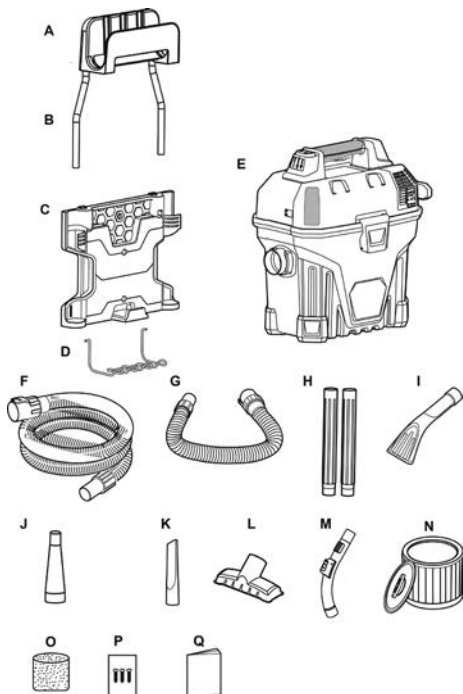
PACKAGE CONTENTS

Remove entire contents of carton. Check each item against the carton contents list.

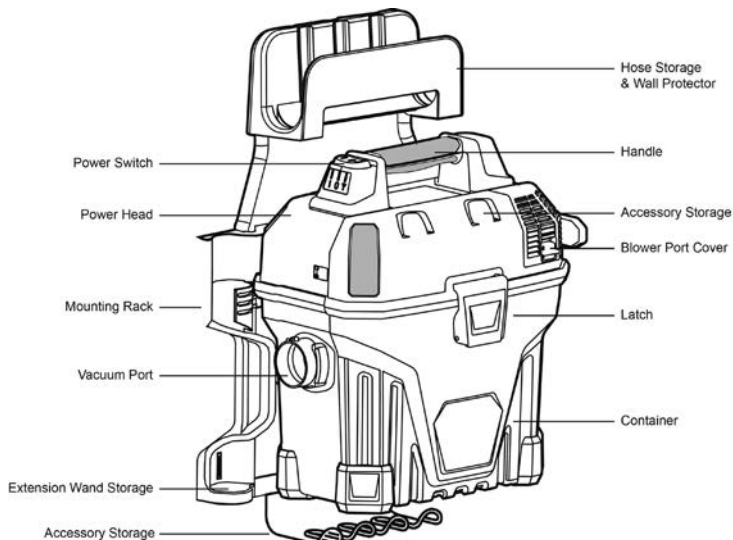
Carton Contents List:

Key Description Qty.

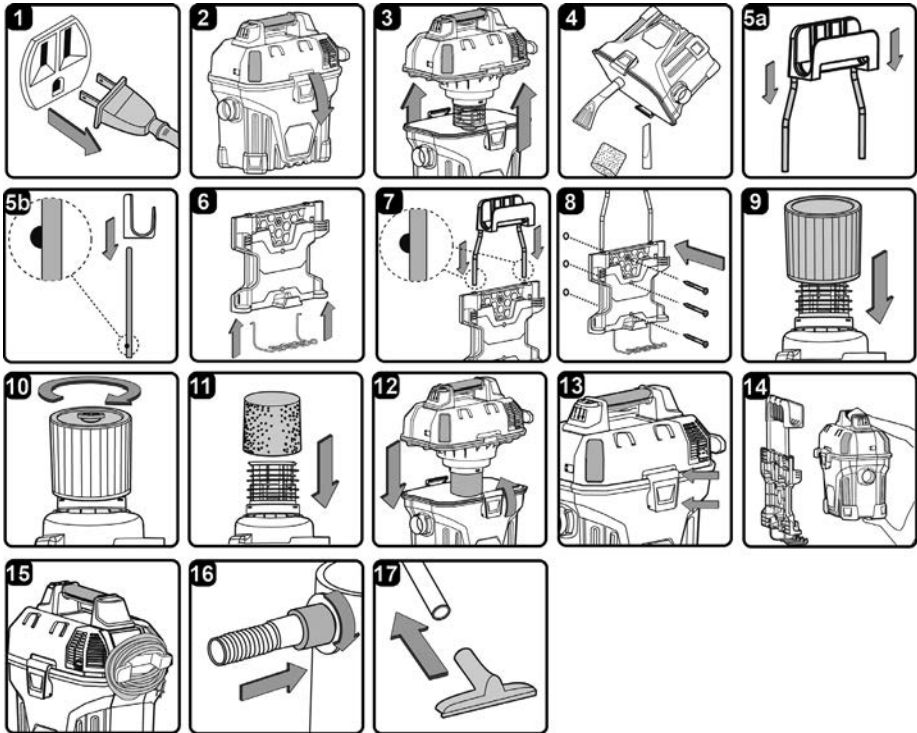
A	Hose Storage Rack	1
B	Hose Storage Support	1
C	Wall Mount Rack	1
D	Wire Accessory Rack	1
E	Vac Assembly	1
F	Standard Hose	1
G	Flex Hose	1
H	Extension Wands	2
I	Car Nozzle	1
J	Concentrator Nozzle	1
K	Crevice Tool	1
L	Utility Nozzle.....	1
M	Remote Control Handle	1
N	Cartridge Filter	1
O	Foam Filter	1
P	Screws	3
Q	Operator's Manual	1



NOTE: The hose and accessories for this vacuum are 1-7/8 in. diameter.



GENERAL ASSEMBLY INSTRUCTIONS



WARNING: TO REDUCE THE RISK OF ELECTRIC SHOCK - DO NOT EXPOSE TO RAIN. MAKE SURE PLUG IS DISCONNECTED BEFORE ASSEMBLING THE WET/DRY VAC.

UNPACKING YOUR WET/DRY VACUUM & GENERAL ASSEMBLY

1. Verify that the power cord is disconnected from the outlet. (fig. 1)
2. Undo the latches. (fig. 2)
3. Lift the power head off of the container. (fig. 3)
4. Remove the contents from inside the container. Make sure you have all contents as listed on page 6. (fig. 4)
5. Insert the steel rod into the hose holding rack, and snap into place. Make sure the buttons on the rod are directed as illustrated. (fig. 5a & fig. 5b)
6. Locate the two openings on the bottom of the mounting rack and insert the wire accessory storage into the mounting rack until they lock in place. Make sure the wire accessory storage is directed towards the front side of the mounting rack. (fig. 6)
7. Insert the steel rod with hose holding rack into the two holes located on the top of the mounting rack. Ensure the Vacmaster logo is facing forward. (fig. 7)

MOUNTING RACK AND STORAGE ASSEMBLY


IMPORTANT!

- Do not mount the rack over 1.5 m / 5 ft from the floor.
 - Do not screw the rack to drywall only. Secure the screws to a stud.
 - Do not hang from or sit on the mounting rack.
 - Do not exceed 18 kg / 40 lb of maximum weight.
8. Locate a wall stud that is not more than 5.5 m / 18 ft away from an electrical outlet. Align the three screw holes on the mounting rack so that they are over the stud. Make sure the rack is level and mark the hole locations. Make a 1/8 in diameter pilot hole in each marked location. Secure the mounting rack to the wall stud with the three screws provided. (fig. 8)

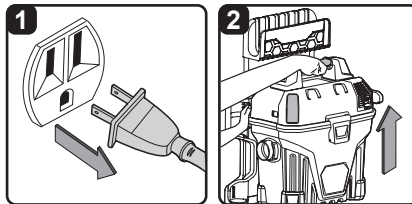
MOUNTING THE VACUUM ON TO THE RACK

1. Your vacuum comes ready for dry vacuum cleaning. If the cartridge filter is not installed refer to page 14 for filter installation. (fig. 9, 10, & 11)
2. Place the power head on the container, and secure into place using the 2 side latches. (fig. 12 & fig.13)
3. Mount the vacuum onto the mounting rack by aligning the vac hanging hook on the rear with slot on the mounting rack and slide downward until it locks. (fig. 14)
4. Wind the excess power cord around the cord wrap hooks located on the side of the vacuum. (fig. 15)
5. Insert the locking end of the hose into the vacuum port and lock in to place. (fig. 16)
6. Secure a desired accessory, such as the suction control handle, onto the end of the hose. (fig. 17)

POLARIZED PLUG

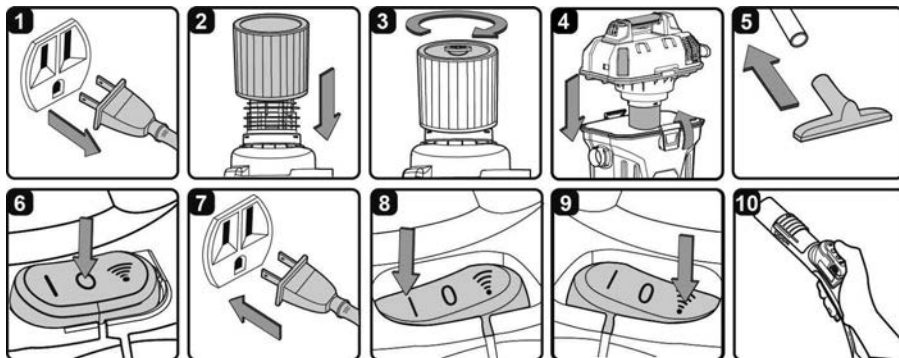
To reduce the risk of electrical shock, this appliance has a polarized plug (one blade is wider than the other). This plug will fit in a polarized outlet only one way. If the plug does not fit fully in the outlet, reverse the plug. If it still does not fit, contact a qualified electrician to install the proper outlet. Do not change the plug in any way. Double insulation  eliminates the need for the three wire grounded power cord and grounded power supply system.

DISMOUNTING THE VACUUM FROM THE RACK



1. Disconnect the power cord from the electrical outlet. (fig. 1)
2. Lift the vacuum up and out of the rack by the handle. (fig. 2)

DRY-VACUUM OPERATION



DRY VACUUMING

WARNING: BE SURE TO READ, UNDERSTAND, AND APPLY INFORMATION, ENTITLED 'SAFETY INSTRUCTIONS & WARNINGS'. DO NOT VACUUM IN AREAS WITH FLAMMABLE GASES, VAPORS, OR EXPLOSIVE DUSTS IN THE AIR. FLAMMABLE GASES OR VAPORS INCLUDE BUT ARE NOT LIMITED TO: LIGHTER FLUID, SOLVENT TYPE CLEANERS, OIL-BASE PAINTS, GASOLINE, ALCOHOL OR AEROSOL SPRAYS. EXPLOSIVE DUSTS INCLUDE BUT ARE NOT LIMITED TO: COAL, MAGNESIUM, GRAIN OR GUN POWDER. TO REDUCE THE RISK OF HEALTH HAZARDS FROM VAPORS OR DUST, DO NOT VACUUM TOXIC MATERIALS.


WARNING: DO NOT PLUG IN POWER CORD TO POWER OUTLET. MAKE SURE PLUG IS DISCONNECTED BEFORE CHANGING OR CLEANING FILTERS.

NOTICE

Do not vacuum drywall dust or fireplace soot or ash with standard Wet/Dry filter. This is a very fine dust which will not be captured by the filter and may cause damage to motor. When vacuuming fine dust use a fine dust filter (sold separately).

1. Verify that the power cord is disconnected from the outlet. (fig. 1)
2. In order to prepare your vacuum for dry vacuuming, verify that the cartridge filter is securely mounted. With the power head removed and in the upside down position, make sure the filter is pushed in until it stops against the power head. (fig. 2) Your Wet/Dry Vac comes with the cartridge filter pre-installed, if not see page 14 for installation instructions.
3. Place filter retainer on top of cartridge filter and tighten down by turning the retainer handle clockwise. (fig. 3)
4. Place the power head back on the container, aligning the top section with the latches, and lock into place. (fig. 4)

OPERATING INSTRUCTIONS: DRY VACUUMING

5. Insert the locking end of the hose into the vacuum port and lock in place. Push the required attachment onto the free end of the hose or extension. (fig. 5)
6. Verify that the switch is in the 'O' (OFF) position before plugging the power cord into the outlet (fig. 6). Hang the vacuum onto the rack or use off the rack.
7. Turn the motor on by flipping the switch to the 'I' ON position. (fig. 8) For remote control use, set the power switch to remote control position "  " and turn the vacuum on by pressing the 'I' ON button on the remote control. (fig. 9 & fig. 10)
8. Once you have completed vacuuming, flip the switch to the 'O' OFF position or press the 'O' OFF button on the remote control for at least one second.

O = OFF

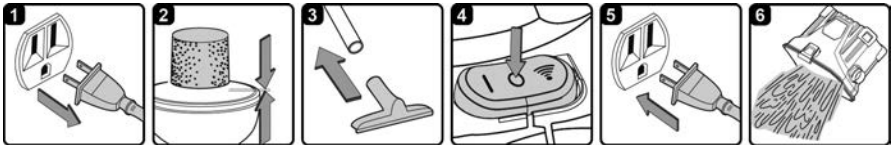
I = ON



= Remote Control

DO NOT USE THE CARTRIDGE FILTER FOR LIQUID VACUUMING.

LIQUID VACUUM OPERATION




LIQUID VACUUMING

WARNING: BE SURE TO READ, UNDERSTAND, AND APPLY INFORMATION, ENTITLED 'SAFETY INSTRUCTIONS & WARNINGS'. DO NOT VACUUM IN AREAS WITH FLAMMABLE GASES, VAPORS, OR EXPLOSIVE DUSTS IN THE AIR. FLAMMABLE GASES OR VAPORS INCLUDE BUT ARE NOT LIMITED TO: LIGHTER FLUID, SOLVENT TYPE CLEANERS, OIL-BASE PAINTS, GASOLINE, ALCOHOL, OR AEROSOL SPRAYS. EXPLOSIVE DUSTS INCLUDE BUT ARE NOT LIMITED TO: COAL, MAGNESIUM, GRAIN, OR GUN POWDER. TO REDUCE THE RISK OF HEALTH HAZARDS FROM VAPORS OR DUST, DO NOT VACUUM TOXIC MATERIALS.

WARNING: DO NOT PLUG IN POWER CORD TO POWER OUTLET. MAKE SURE PLUG IS DISCONNECTED BEFORE CHANGING OR CLEANING FILTERS.

IMPORTANT! When vacuuming large volumes of liquids, we recommend that you remove the vacuum from the mounting rack and put it on the floor. The vacuum can be heavy when full of liquids and may be difficult to remove from the rack.

DO NOT USE THE CARTRIDGE FILTER FOR LIQUID VACUUMING.

1. Verify that the power cord is disconnected from the outlet (fig. 1). Verify that the container is clean and free of dust and dirt.
2. Remove the cartridge filter, then carefully install the foam sleeve filter over the filter cage (fig. 2) and place the power head back on the container. See filter installation instructions on page 14.
3. Fit the desired nozzle to the vacuum hose. (fig. 3)
4. Verify that the switch is in the 'O' OFF position before plugging the power cord into the outlet. (fig. 4 & fig. 5)
5. Turn the motor on by flipping the switch on the power head to the 'I' ON position or flip the switch to the remote control position  and use the 'I' ON button on the remote control.

DO NOT SUBMERGE THE REMOTE CONTROL IN LIQUIDS.

6. After wet vacuuming, turn the machine off and remove plug from power supply. Empty the container (fig. 6), clean and dry the inside and outside of the container, and remove the foam filter and allow to air dry before storage.

IMPORTANT! When vacuuming large quantities of liquids, do not immerse the nozzle completely in the liquid; leave a gap at the tip of the nozzle opening to allow air inflow. The machine is fitted with a float valve that stops the suction action when the container reaches its maximum capacity. You will notice an increase in motor speed. When this happens, turn off the machine, disconnect from power supply, and empty the liquid into a suitable receptacle or drain. To continue vacuuming, refit the power head to the container. After wet vacuuming, turn the machine off and remove plug from power supply. To prevent the risk of possible mildew, empty the container, clean and dry the inside and outside of the container, and remove the foam filter and allow to air dry before storage.

REMEMBER! The foam filter must be removed after wet vacuuming, and a cartridge filter must be installed before dry vacuuming again.

BLOWER OPERATION



This Wet/Dry Vac has blowing capabilities. To use the blower feature follow the instructions listed.

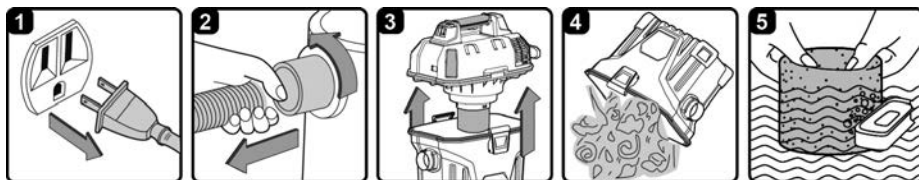
WARNING: ALWAYS WEAR SAFETY GOGGLES COMPLYING WITH ANSI Z87.1 (or in Canada, CSAZ94.3) BEFORE USING BLOWER.

CAUTION: KEEP BYSTANDERS CLEAR FROM BLOWING DEBRIS.

WARNING: WEAR A DUST MASK IF BLOWING CREATES DUST THAT MIGHT BE INHALED.

1. Verify that the switch is in the '0' (OFF) position. (fig. 1)
2. Make sure the container is empty before using as a blower.
3. Lift the button on the blower filter door to the unlocked position and flip the blower filter door open. (fig. 2)
4. Remove hose from the vacuum port and insert the locking end of the hose into the blowing port on the power head and lock into position. (fig. 3)
5. Fit the desired extension wand and/or nozzle to the free end of the vacuum hose. (fig. 4)
6. Before turning ON the vac, firmly hold loose end of the hose. Turn the motor on by flipping the switch to the '1' ON position (fig. 5) or set the switch to the remote control setting and use the remote control.

CARE AND MAINTENANCE



WARNING: ALWAYS DISCONNECT THE PLUG FROM THE POWER OUTLET BEFORE REMOVING THE POWER HEAD FROM THE CONTAINER.

1. Verify that the power cord is disconnected from the outlet. (fig. 1)
2. Disconnect the hose from the vacuum. (fig. 2)
3. Remove the vacuum from the mounting rack.
4. Undo the latches and remove the power head from the container. (fig. 3)
5. Clear all dirt or debris from the container and hose. (fig. 4)

6. Check the hose, attachments, and power cord to verify that they have not been damaged.

IMPORTANT! Clean or change the cartridge filter regularly for best performance. **ALWAYS USE CARTRIDGE FILTER FOR DRY VACUUMING.** If the machine is used without the cartridge filter, the motor will burn out and the warranty will be voided. Always keep spare cartridge filters on hand.

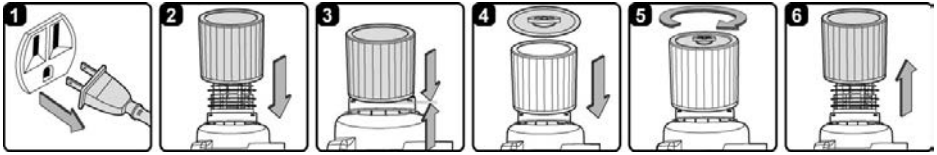
NOTICE! The filters included are made of high quality materials designed to stop small dust particles. The cartridge filter should be used for dry pick-up only. A dry cartridge filter is necessary to pick up dust. If the cartridge filter is wet, it will clog quickly and be difficult to clean. Handle the filter carefully when removing it for cleaning or replacing. Check the filters for tears or small holes. A small hole can let dust pass through and out of the cleaner. Do not use a filter with holes or tears in it; replace it immediately.

CAUTIONS: BATTERY INSTRUCTIONS

- Always purchase the correct size and grade of battery most suitable for the intended use.
- Always replace the whole set of batteries at one time, taking care not to mix old and new ones, or batteries of different types.
- Clean the battery contacts and also those of the device prior to battery installation.
- Ensure the batteries are installed correctly with regard to polarity (+ and -).
- Remove batteries from equipment which is not to be used for an extended period of time.
- Remove used batteries promptly.

For recycling and disposal of batteries to protect the environment, please check the internet or your local phone directory for local recycling centers and / or follow local government regulations.

INSTALLING & CLEANING CARTRIDGE FILTER



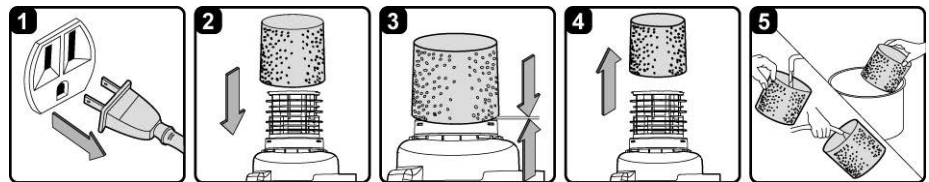
Installing Cartridge Filter

1. Verify that the power cord is disconnected from the outlet. (fig. 1)
2. Remove power head and place in upside down position.
3. Install the cartridge filter over the filter cage with the flat end of the filter towards the vacuum power head. Carefully push filter in until it stops against the power head. (fig. 2 & 3)
4. Place filter retainer on top of cartridge filter over the raised lip and tighten down by turning retainer clockwise, taking care not to over tighten. (fig. 4 & 5)

Removing and Cleaning Cartridge Filter

1. Unlock and remove the filter retainer by turning retainer handle counterclockwise.
2. Carefully remove the cartridge filter by sliding it off of the filter cage. (fig. 6)
3. Clean the cartridge filter by gently tapping or brushing dirt off. Cleaning should not be done indoors in living areas. For optimal performance a new filter is recommended.
4. Install cleaned or new filter as instructed above in steps 2 and 3 of Installing Cartridge Filter.
5. Wet filters should be removed and allowed to dry for 24 hours before installing onto the filter cage.

INSTALLING & CLEANING FOAM SLEEVE FILTER



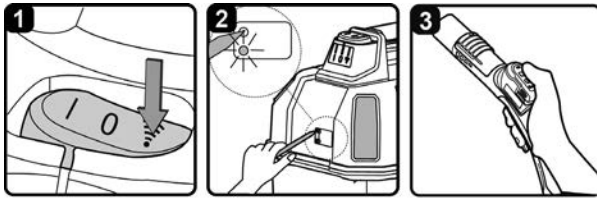
Installing Foam Sleeve Filter


1. Verify that the power cord is disconnected from the outlet. (fig. 1)
2. Remove power head and place in upside down position. Follow instructions to remove cartridge filter in the section above.
3. Carefully slide foam sleeve filter down over the filter cage making sure the whole cage is covered. (fig. 2 & fig. 3)
4. Replace the power head onto the container.

Cleaning Foam Sleeve Filter

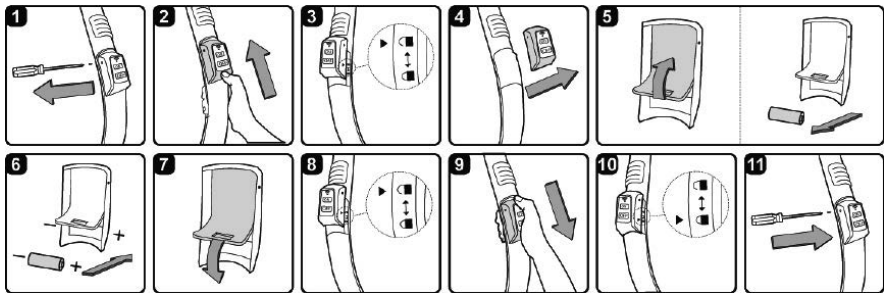
1. With the removed power head in the upside down position, carefully remove foam sleeve filter. (fig. 4)
2. Use a mild soap and water solution to wash foam sleeve filter and rinse with clean water. (fig. 5)
3. Allow filter to air dry before installing and using again.




RESETTING THE REMOTE CONTROL



1. Have the remote control accessible. Set the power switch on the vacuum to the remote control position “”. (fig. 1)
2. Press the RESET button on the side of the power head with pointed object such as paper clip or a pen tip until the indicator lights up. (fig. 2)
3. Release the RESET button once the red indicator light lights up and immediately press and hold the “ON” button on the remote control handle until the vacuum powers on. (fig. 3)
4. If the “ON” button is not pressed and held within a 15 second window, the reset will not be successful. Repeat steps 2-3 to reset the remote control.

Changing The Battery – Replace Only With A 23AE 12V Alkaline Battery



1. Using a Phillips screwdriver, remove the screws on the remote control. (fig. 1)
2. Slide back the remote cover so that the white triangle on the remote cover points to the unlock symbol “”. (fig. 2 & 3)
3. Remove the remote cover from the handle. (fig. 4)
4. Lift the foam cover to expose the battery and remove the old battery. (fig. 5)
5. Insert the new battery with the terminals in the direction shown and make sure to replace the foam cover. (fig. 6 & 7)
6. Replace the remote control by aligning the white triangle on the side cover to the unlock symbol “” on the handle. (fig. 8)
7. Slide the remote cover so that the white triangle is over the locked symbol “”. (fig. 9 & 10)
8. Secure the cover with the screws. Do not over tighten. (fig. 11)

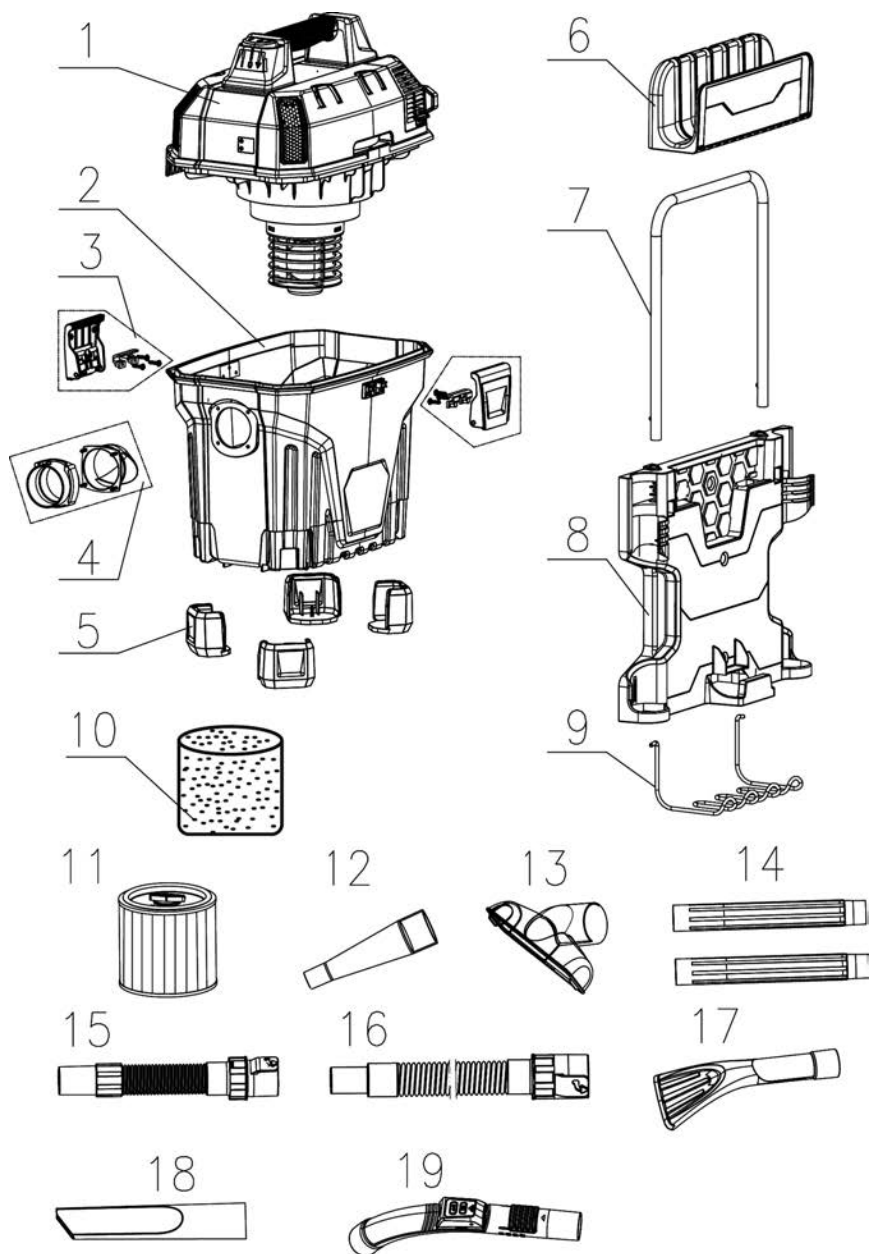
TROUBLESHOOTING

WARNING: TO REDUCE THE RISK OF ELECTRIC SHOCK - UNPLUG BEFORE TROUBLESHOOTING.

Symptom	Possible Causes	Corrective Action
Vacuum will not operate	1) No power supply.	1) Check power supply – cord, breakers, fuses.
	2) Faulty power cord.	2) Unplug and check the power cord. If damaged, have it repaired by a professional.
	3) Container full.	3) Empty container.
	4) Switch in the wrong position	4) Press the ON 'I' button on the power head.
Dust comes out from motor cover.	1) The cartridge filter is missing or damaged.	1) Attach or replace cartridge filter.
	2) Vacuum has been used to collect fine dust, such as drywall dust, fireplace soot, or ash, without a fine dust filter equipped.	2) Remove the standard cartridge filter and install the appropriate fine dust cartridge filter.
Reduced efficiency and motor/speed vibration.	1) There is a blockage in the nozzle, hose, or the container inlet. The cartridge filter is clogged by fine dust.	1) Check nozzle, hose and container inlets for blockage. Take off the filter and clean it. Or install new cartridge filter.
Remote will not operate	1) Remote is not paired with the vac.	1) Reset the remote using the instructions on page 15.
	2) Battery is dead.	2) Replace the battery.

Changes or modifications not expressly approved by the party responsible for compliance could void the user's authority to operate the equipment.

EXPLODED VIEW



PARTS LIST

Key	Description	Part #	Qty Included with Vac
1	Power Head Assembly		1
2	Tank		1
3	Latch Assembly	TVQTDK.14.01.X1.01	2
4	Vacuum Port Assembly	TVQTXK.06.01.X5.01	1
5	Bumper Foot	VW50P1.20.02.X1.01	4
6	Hose Storage Rack	VW02P1.20.02.Y2	1
7	Hose Storage Support	VW50P1.30.04.W1.00	1
8	Wall Mount Rack	VW50P1.30.03.X2.01	1
9	Accessory Storage Rack	VW01P1.30.03	1
10	Foam Filter	FV9504.01.00	1
11	Cartridge Filter	FV9543.06.20	1
12	47.6 mm / 1-7/8 in Concentrator Nozzle	FV5316.01.01	1
13	47.6 mm / 1-7/8 in Utility Nozzle	FV5772.01.01	1
14	47.6 mm / 1-7/8 in Extension Wand	FV5901.01.01	2
15	47.6 mm x 3.0 m / 1-7/8 in x 10 ft Flex Hose	FV5861.01.00.30	1
16	47.6 mm x 3.0 m / 1-7/8 in x 10 ft Standard Hose	FV5843.01.00.33	1
17	47.6 mm / 1-7/8 in Car Claw	FV5771.03.01	1
18	47.6 mm / 1-7/8 in Crevice Tool	FV5771.01.02	1
19	47.6 mm / 1-7/8 in Remote Control Handle	FV5331.01.01.X1.01	1

This manual was downloaded from

wet-dry-vac.com

The most comprehensive source of information about wet/dry shop vacuums on the Internet!

Wet-dry-vac.com allows you to learn about how to purchase a wet/dry vac, compare and review detailed specifications on hundreds of models, and find compatible filters.

You can also view manuals, parts lists and brochures for hundreds of models. Plus, you can find the best prices for vacuums and filters, and purchase online right from the site.

