



Wet/Dry Vacuum

## Operator's Manual



**5 Gallon**  
Model No.  
**VWM510**

### **FOR YOUR SAFETY**

Read and understand this manual before use.  
Keep this manual for future reference.



Distributed By  
Cleva North America, Inc.  
601 Regent Park Court  
Greenville, SC 29607

Replacement Filters &  
Accessories available at:  
**Vacmaster.com**

# TABLE OF CONTENTS

SECTION	PAGE
Warranty .....	2
Safety Instructions & Warnings .....	3
Double Insulation Instructions .....	4
Extension Cords .....	5
Unpacking & Checking Carton Contents .....	6
General Assembly Instructions .....	7
Dry Vacuum Operation .....	9
Liquid Vacuum Operation .....	10
Blower Operation .....	11
Maintenance .....	12
Installing & Cleaning Cartridge Filter .....	13
Installing & Cleaning Foam Wet Filter .....	13
Resetting the Remote Control .....	14
Troubleshooting .....	15
Exploded View .....	16
Parts List .....	17

**Thank you for purchasing this Vacmaster® wet/dry vacuum cleaner. Feel confident that with Vacmaster® you are obtaining a high quality product engineered for optimal performance. This vacuum is capable of picking up liquids and dry materials.**

**FOR YOUR SAFETY: CAREFULLY READ AND UNDERSTAND ALL INSTRUCTIONS.**

## WARRANTY

We take pride in producing a high quality, durable product. This Vacmaster® product carries a limited two (2) year warranty against defects in workmanship and materials from date of purchase under normal household use. If product is to be used for commercial, industrial, or rental use, a 90 day limited warranty will apply. Please keep your receipt as proof of purchase. This warranty gives you specific legal rights, which may vary from state to state. For product service call Customer Service at 1-866-384-8432.

### **Not Covered by Warranty:**

- Any part that has become inoperative due to misuse, negligence, direct/indirect abuse, accidents, improper maintenance, repairs, or alterations;
- Consumables such as filters and accessories;
- Normal wear and tear of parts and attachments, such as hose, nozzles, or casters;
- Normal deterioration of the exterior finish due to use or exposure;
- Any product where serial number/data label is tampered with or removed;
- Any product purchased from an unauthorized retailer.

**Changes or modifications not expressly approved by the party responsible for compliance could void the user's authority to operate the equipment. This device complies with part 15 of the FCC rules. Operation is subject to the following two conditions (1) this device may not cause harmful interference, and (2) this device must accept any interference received, including interference that may cause undesired operation.**

## CAUTION:

This equipment has been tested and found to comply with the limits for a Class B digital device, pursuant to part 15 of the FCC Rules. These limits are designed to provide reasonable protection against harmful interference in a residential installation. This equipment generates uses and can radiate radio frequency energy and, if not installed and used in accordance with the instructions, may cause harmful interference to radio communications. However, there is no guarantee that interference will not occur in a particular installation. If this equipment does cause harmful interference to radio or television reception, which can be determined by turning the equipment off and on, the user is encouraged to try to correct the interference by one or more of the following measures:

- Reorient or relocate the receiving antenna.
- Increase the separation between the equipment and receiver.
- Connect the equipment into an outlet on a circuit different from that to which the receiver is connected.
- Consult the dealer or an experienced radio/TV technician for help.

# SAFETY INSTRUCTIONS & WARNINGS

## IMPORTANT SAFETY INSTRUCTIONS

### READ AND UNDERSTAND ALL INSTRUCTIONS BEFORE USING THIS VACUUM.

Read and understand this operator's manual and all labels on the Wet/Dry Vacuum cleaner before operating. Safety is a combination of common sense, staying alert, and knowing how your vacuum works. Use this Wet/Dry Vac only as described in this manual. To reduce the risk of personal injury or damage to your Wet/Dry Vac, use only Vacmaster<sup>®</sup> recommended accessories.

Household Type

## SAVE THIS MANUAL FOR FUTURE REFERENCE.

**When using an electrical appliance, basic precautions should always be followed including the following:**

### **WARNING:** TO REDUCE THE RISK OF FIRE, ELECTRIC SHOCK, OR INJURY:

- Do not run vac unattended.
- Do not vacuum, or use this Wet/Dry Vac near flammable liquids, gases, or explosive vapors like gasoline or other fuels, lighter fluids, cleaners, oil-based paints, natural gas, hydrogen, or explosive dusts like coal dust, magnesium dust, grain dust, or gun powder. Sparks inside the motor can ignite flammable vapors or dust.
- Do not vacuum anything that is burning or smoking, such as cigarettes, matches, or hot ashes.
- Keep cord away from heated surfaces.
- Do not expose to rain. Store indoors.
- Do not unplug by pulling on cord. To unplug, grasp the plug, not the cord.
- Do not use with damaged cord, plug, or other parts.
- If appliance is not working as it should, has been dropped, damaged, left outdoors, or dropped into water, return it to a service center.
- Do not pull or carry by cord, use cord as handle, close a door on cord, or pull cord around sharp edges or corners.
- Do not run Wet/Dry Vac over cord.
- Do not handle plug or the Wet/Dry Vac with wet hands.
- To reduce the risk of health hazards from vapors or dusts, do not vacuum toxic materials.
- Do not use or store near hazardous materials.

- Do not use this Wet/Dry Vac with a torn filter or without the filter installed except when vacuuming liquids as described in the operation section of this manual.
- Do not allow to be used as a toy. Close attention is necessary when used by or near children.
- To reduce the risk of injury from accidental starting, unplug power cord before changing or cleaning filter.
- Do not leave Wet/Dry Vac unattended when plugged in. Unplug from outlet when not in use and before servicing.
- Turn off Wet/Dry Vac before unplugging.
- Do not put any object into ventilation openings. Do not vacuum with any ventilation openings blocked; keep free of dust, lint, hair, or anything that may reduce air flow.
- Keep hair, loose clothing, fingers, and all parts of body away from openings and moving parts.
- To reduce the risk of falls, use extra care when cleaning on stairs.
- Unplug before connecting hose.
- Use only as described in this manual. Use only manufacturer's recommended attachments.
- This appliance is provided with double insulation. Use only identical replacement parts. See "DOUBLE INSULATION INSTRUCTIONS".

**When using as blower:**

- Direct air discharge only at work area.
- Do not use Wet/Dry Vac as a sprayer.
- Do not direct air at bystanders.
- Keep children away when blowing.
- Use safety goggles.

## DOUBLE INSULATION INSTRUCTIONS

This Wet/Dry Vac is double-insulated, eliminating the need for a separate grounding system. Use only identical replacements parts. Read the instructions for Servicing Double-Insulated Wet/Dry Vacs before servicing. Use this Wet/Dry Vac as described in this manual. Observe the following warnings that appear on the motor housing of your Wet/Dry Vac.




**DOUBLE INSULATED - GROUNDING NOT REQUIRED - WHEN SERVICING USE ONLY IDENTICAL REPLACEMENT PARTS.**

**WARNING: TO REDUCE THE RISK OF ELECTRIC SHOCK, DO NOT EXPOSE TO RAIN. STORE INDOORS.**

**WARNING: FOR YOUR OWN SAFETY, READ AND UNDERSTAND OPERATOR'S MANUAL. DO NOT RUN UNATTENDED. DO NOT PICK UP HOT ASHES, COALS, TOXIC, FLAMMABLE OR OTHER HAZARDOUS MATERIALS. DO NOT USE AROUND EXPLOSIVE LIQUIDS OR VAPORS.**

**CAUTION:**

Do not vacuum drywall dust or fireplace soot or ash with standard Wet/Dry filter. This is very fine dust which will not be captured by the filter and may cause damage to motor. When vacuuming fine dust use a fine dust filter (sold separately).

**WARNING: SERVICING OF DOUBLE-INSULATED WET/DRY VACUUM WITH A DOUBLE-INSULATED WET/DRY VACUUM, TWO SYSTEMS OF INSULATION ARE PROVIDED INSTEAD OF GROUNDING. NO GROUNDING MEANS IS PROVIDED ON A DOUBLE-INSULATED APPLIANCE, NOR SHOULD A MEANS FOR GROUNDING BE ADDED. SERVICING A DOUBLE INSULATED WET/DRY VACUUM REQUIRES EXTREME CARE AND KNOWLEDGE OF THE SYSTEM, AND SHOULD BE DONE ONLY BY QUALIFIED SERVICE PERSONNEL. REPLACEMENT PARTS FOR A DOUBLE-INSULATED WET/DRY VACUUM MUST BE IDENTICAL TO THE PARTS THEY REPLACE. YOUR DOUBLE-INSULATED WET/DRY VAC IS MARKED WITH THE WORDS 'DOUBLE INSULATED' AND THE SYMBOL  (SQUARE WITHIN A SQUARE) MAY ALSO BE MARKED ON THE APPLIANCE.**

• DO NOT use without filters in place.

**CAUTION: TO REDUCE THE RISK OF INJURY FROM MOVING PARTS, UNPLUG BEFORE SERVICING.**

## EXTENSION CORDS

When using an extension cord with your Wet/Dry Vac refer to the following table to determine the required A.W.G. wire size. Before using the vacuum cleaner, make sure the power cord and extension cord are in good working condition. Make repairs or replacements before using the vacuum cleaner. Only use extension cords that are rated for outdoor use.

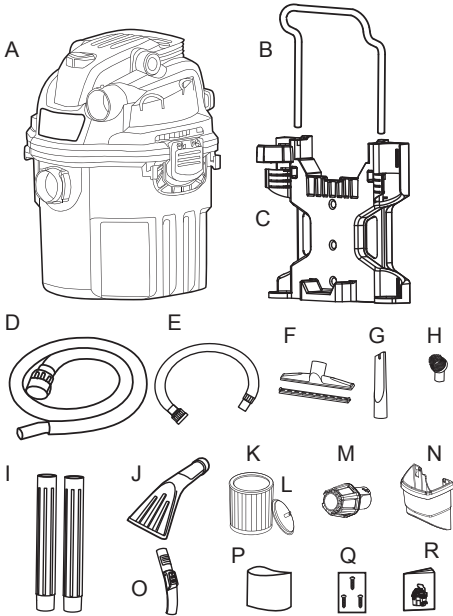
110V-120V	Length of Extension Cord			
	25 Feet 7.5 Meters	50 Feet 15.25 Meters	100 Feet 30.5 Meters	150 Feet 45.7 Meters
Amps	A.W.G. Wire Size			
0-6	18	16	16	14
7-10	18	16	14	12
11-12	16	16	14	12
13-16	14	12	Not recommended	

# UNPACKING & CHECKING CARTON CONTENTS

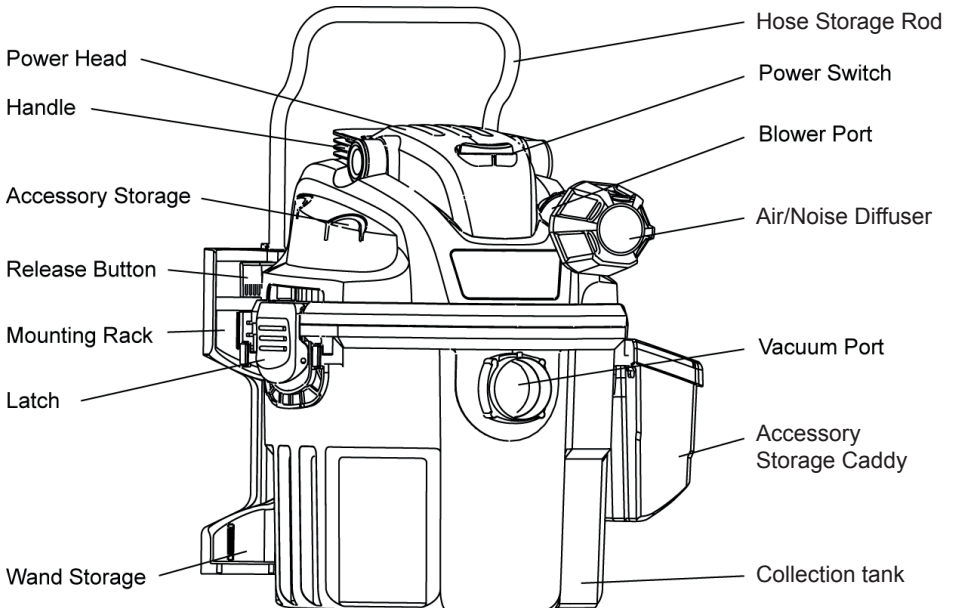
Remove all contents from the box. Remove the power head and take out any contents inside the collection tank. Check each item against the carton contents list.

## Carton Contents List:

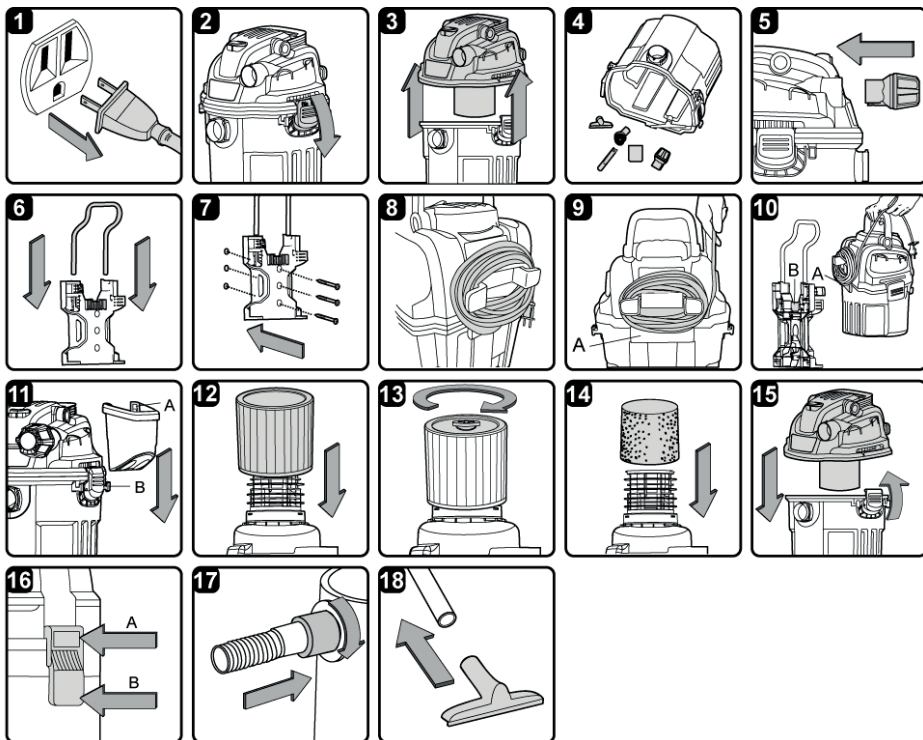
Key	Description.....	Qty.
A	Vac Assembly.....	1
B	Hose Storage Rod.....	1
C	Mounting Rack.....	1
D	11-Foot Hose.....	1
E	10-Foot Flex Hose.....	1
F	Floor Nozzle.....	1
G	Crevice Tool.....	1
H	Round Dust Brush.....	1
I	Extension Wands.....	2
J	Car Nozzle.....	1
K	Cartridge Filter.....	1
L	Filter Retainer.....	1
M	Air/Noise Diffuser.....	1
N	Accessory Storage Caddy.....	1
O	Remote Control Handle.....	1
P	Foam Wet Filter.....	1
Q	3 Screws (Bag).....	1
R	Operator's Manual.....	1



**NOTE: The hose and accessories for this vacuum are 1-7/8" diameter.**



# GENERAL ASSEMBLY INSTRUCTIONS



**WARNING:** TO REDUCE THE RISK OF ELECTRIC SHOCK, DO NOT EXPOSE TO RAIN. MAKE SURE PLUG IS DISCONNECTED BEFORE ASSEMBLING THE WET/DRY VAC.

## UNPACKING YOUR WET/DRY VACUUM & GENERAL ASSEMBLY

1. Verify that the power cord is disconnected from the outlet. (fig. 1)
2. Undo the latches. (fig. 2)
3. Lift the power head off the collection tank. (fig. 3)
4. Remove the contents from inside the collection tank; make sure you have all contents as listed on page 6. (fig. 4)
5. Replace the power head to the collection tank and insert the noise diffuser into the blower port. (fig. 5)

## MOUNTING RACK AND STORAGE ASSEMBLY IMPORTANT!

- Do not mount the rack over 5 feet from the floor.
  - Do not screw the rack to drywall only. Secure the screws to a stud.
  - Do not hang from or sit on the mounting rack
  - Do not exceed the 40 pound maximum weight limit.
6. Insert the hose storage rod into the two holes located on the top of the mounting rack. Make sure the bend of the rod is directed away from the wall. (fig. 6)
  7. Select a location on a wall stud that is not more than 20 feet away from an electrical outlet.
  8. Align the three screw holes so that they are over a stud. Make sure the rack is level and mark the hole locations. Make a 1/8-inch diameter pilot hole in each marked location. Secure the mounting rack to the wall stud with the three screws provided. (fig. 7)

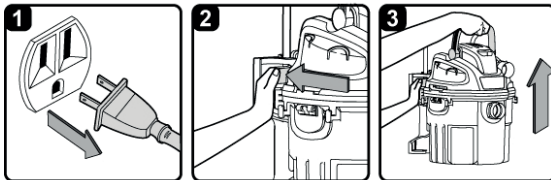
## MOUNTING THE VACUUM ONTO THE RACK

1. Measure the distance from the top screw hole of the mounting rack to the closest electrical outlet and add 12 inches. This is the amount of cord needed; wind the excess power cord around the cord wrap area located on the rear of the vacuum. (fig. 8)
2. Make sure the cord is not wrapped around the vac hanging hook (A). (fig. 9)
3. Mount the vacuum onto the mounting rack by aligning the vac hanging hook (A) with slot (B) on the mounting rack and slide downward until it locks. When trying to mount vac onto the rack, please hold the plug and make sure the cable is not hanging between rack and the back of the vac. (fig. 10)
4. Attach the accessory storage caddy on either side of the vac onto the hooks provided. (fig.11)
5. Your vacuum comes ready for dry vacuum cleaning. For installation instructions, see page 13. (fig. 12 & 13)
6. For wet vacuum cleaning, install the supplied foam wet filter. (fig. 14) For installation instructions, see page 13.
7. Place the power head back on the collection tank, and secure into place using the 2 side latches. (fig. 15 & 16)
8. Insert the locking end of the hose into the vacuum port on the collection tank and lock into place. (fig. 17)
9. Push the required attachment onto the free end of the hose. (fig. 18)

## POLARIZED PLUG

To reduce the risk of electrical shock, this appliance has a polarized plug (one blade wider than the other). This plug will fit in a polarized outlet only one way. If the plug does not fit fully in the outlet, reverse the plug. If it still does not fit, contact a qualified electrician to install the proper outlet. Do not change the plug in any way. Double insulation  eliminates the need for the three wire grounded power cord and grounded power supply system.

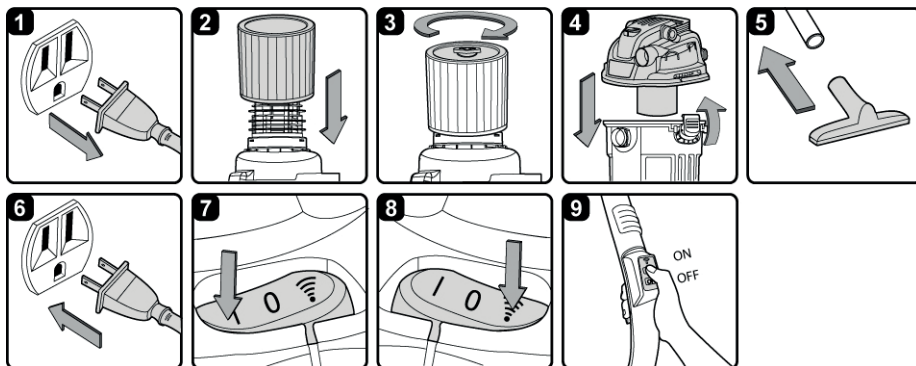
## DISMOUNTING THE VACUUM FROM THE RACK



1. Disconnect the power cord from the electrical outlet. (fig. 1)
2. Press the release lever with your left hand. (fig. 2)
3. Lift the vacuum up and out of the rack by the handle with your right hand. (fig. 3)



# DRY VACUUM OPERATION



**WARNING: BE SURE TO READ, UNDERSTAND, AND APPLY, INFORMATION ENTITLED 'SAFETY INSTRUCTIONS & WARNINGS'. DO NOT VACUUM IN AREAS WITH FLAMMABLE GASES, VAPORS, OR EXPLOSIVE DUSTS IN THE AIR. FLAMMABLE GASES OR VAPORS INCLUDE BUT ARE NOT LIMITED TO: LIGHTER FLUID, SOLVENT TYPE CLEANERS, OIL-BASED PAINTS, GASOLINE, ALCOHOL, OR AEROSOL SPRAYS. EXPLOSIVE DUSTS INCLUDE BUT ARE NOT LIMITED TO: COAL, MAGNESIUM, GRAIN, OR GUN POWDER. TO REDUCE THE RISK OF HEALTH HAZARDS FROM VAPORS OR DUST, DO NOT VACUUM TOXIC MATERIALS.**

1. Verify that the power cord is disconnected from the outlet. (fig. 1)
2. In order to prepare your vacuum for dry vacuuming, verify that the cartridge filter is securely mounted. Make sure the filter is pushed in until it stops against the power head. (fig. 2) Your Wet/Dry Vac comes with the cartridge filter pre-installed. For installation instructions, see page 13.
3. Optional: For improved dust filtering, fit collection bag flange onto the inlet port, taking care not to damage the bag. Dust bag sold separately.
4. Place filter retainer on top of cartridge filter and tighten down by turning the retainer handle clockwise. (fig. 3)
5. Place the power head back on the collection tank, aligning the top section with the latches, and snap into place. (fig. 4)

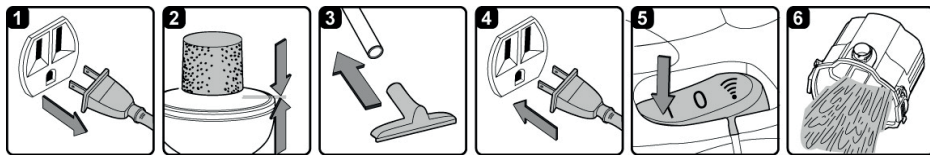
## OPERATING INSTRUCTIONS: DRY VACUUMING

6. Insert the locking end of the hose into the vacuum port on the power head and lock into place. Push the required attachment onto the free end of the hose or extension. (fig. 5)
7. Plug the power cord into the outlet and hang the vacuum onto the rack or use off the rack. (fig. 6)
8. Turn the motor on by flipping the switch to the 'I' ON position. (fig. 7) For remote control use, set the power switch to remote control position "📶" and turn the vacuum on by pressing the 'I' ON button on the remote control handle for at least one second. (fig. 8 & 9)
9. Once you have completed vacuuming, flip the switch to the 'O' OFF position or press the 'O' OFF button on the remote control for at least one second.

O = OFF    I = ON    📶 = Remote Control

**DO NOT USE THE CARTRIDGE FILTER FOR LIQUID VACUUMING.**

# LIQUID VACUUM OPERATION



## LIQUID VACUUMING

**WARNING:** BE SURE TO READ, UNDERSTAND, AND APPLY, INFORMATION ENTITLED 'SAFETY INSTRUCTIONS & WARNINGS'. DO NOT VACUUM IN AREAS WITH FLAMMABLE GASES, VAPORS, OR EXPLOSIVE DUSTS IN THE AIR. FLAMMABLE GASES OR VAPORS INCLUDE BUT ARE NOT LIMITED TO: LIGHTER FLUID, SOLVENT TYPE CLEANERS, OIL-BASED PAINTS, GASOLINE, ALCOHOL, OR AEROSOL SPRAYS. EXPLOSIVE DUSTS INCLUDE BUT ARE NOT LIMITED TO: COAL, MAGNESIUM, GRAIN, OR GUN POWDER. TO REDUCE THE RISK OF HEALTH HAZARDS FROM VAPORS OR DUST, DO NOT VACUUM TOXIC MATERIALS.

**WARNING:** DO NOT PLUG POWER CORD INTO POWER OUTLET. MAKE SURE PLUG IS DISCONNECTED BEFORE CHANGING THE FILTERS.

**IMPORTANT!** When vacuuming large quantities of liquids, we recommend that you remove the vacuum from the mounting rack and put it on the floor. The vacuum can be heavy when full of liquids and may be difficult to remove from the rack.

1. Verify that the power cord is disconnected from the outlet. Verify that the collection tank is clean and free of dust and dirt. (fig. 1)
2. Remove cartridge filter, then carefully install the foam wet filter over the filter cage and place the power head back on the collection tank. (fig. 2) For filter installation instructions, see page 13.

**DO NOT USE THE CARTRIDGE FILTER FOR LIQUID VACUUMING.**

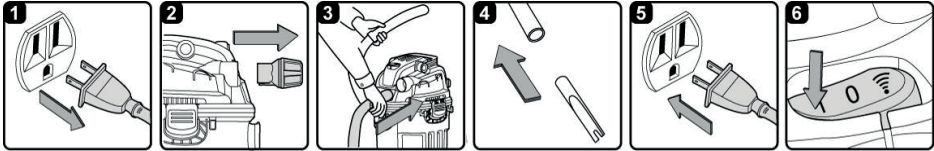
### OPERATING INSTRUCTIONS: WET VACUUMING

3. Fit the desired attachment to the vacuum hose. (fig. 3)
4. Verify that the switch is in the 'O' OFF position before plugging the power cord into the outlet. (fig. 4)
5. For large amounts of liquid vacuuming, it is recommended to place the vacuum on the floor. Turn the motor on by flipping the switch on the power head to the 'I' ON position or flip the switch to the Remote Control Position and use the 'I' ON button on the remote control. (fig. 5 & 6)

**CAUTION:** DO NOT SUBMERGE THE REMOTE CONTROL IN LIQUID.

**IMPORTANT!** When vacuuming large quantities of liquids, do not immerse the nozzle completely in the liquid; leave a gap at the tip of the nozzle opening to allow air inflow. The machine is fitted with a float valve that stops the suction action when the collection tank reaches its maximum capacity. You will notice an increase in motor speed. When this happens, turn off the machine, disconnect from power supply, and drain the liquid into a suitable receptacle or drain. After wet vacuuming, turn the machine off and remove plug from power supply. Empty the collection tank, clean, and dry the inside and outside before storage. **REMEMBER!** The foam wet filter must be removed after wet vacuuming, and a cartridge filter must be installed before dry vacuuming again.

# BLOWER OPERATION



This Wet/Dry Vac has blowing capabilities. To use the blower feature follow the instructions listed.

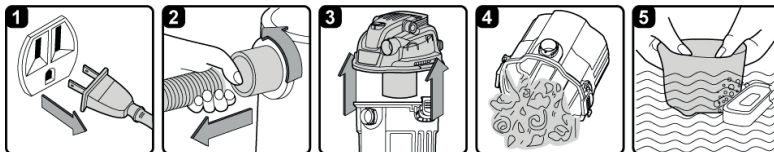
**WARNING: ALWAYS WEAR SAFETY GOGGLES COMPLYING WITH ANSI Z87.1 (OR IN CANADA, CSAZ94.3) BEFORE USING BLOWER.**

**CAUTION: KEEP BYSTANDERS CLEAR FROM BLOWING DEBRIS.**

**WARNING: WEAR A DUST MASK IF BLOWING CREATES DUST THAT MIGHT BE INHALED.**

1. Verify that the power cord is disconnected from the outlet. (fig. 1)
2. Make sure the collection tank is empty before using as a blower.
3. Remove the noise diffuser from the blower port. (fig. 2)
4. Remove hose from the vacuum port and insert the locking end of the hose into the blower port on the power head and lock into position. (fig. 3)
5. Fit the desired extension wand and or nozzle to the free end of the vacuum hose. (fig. 4)
6. Ensure the power switch is turned off and plug in the power supply. (fig. 5)
7. Before turning ON the vac, firmly hold loose end of the hose. Turn the motor on by flipping the switch to the 'I' ON position or use the vac with switch set to remote control setting and the remote control. (fig. 6)

# MAINTENANCE



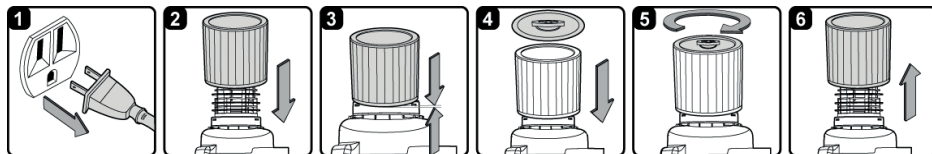
1. Verify that the power cord is disconnected from the outlet. (fig. 1)
2. Disconnect the hose from the vacuum. (fig. 2)
3. Remove the vacuum from the mounting rack.
4. Undo the latches and remove the power head from the collection tank. (fig. 3)
5. Clear all dirt or debris from the collection tank and hose. (fig. 4)
6. Clean the foam filter by washing it with water and mild soap. (fig. 5)
7. Check the hose, attachments, and power cord to verify that they have not been damaged.
8. Place power head on collection tank and secure latches.

**IMPORTANT!** Clean or change the filter regularly for best performance. **ALWAYS USE DUST FILTER FOR DRY VACUUMING.** If the machine is used without the dust filter, the motor will burn out and the warranty will be voided. Always keep spare dust filters on hand.

**NOTICE!** The filters included are made of high quality materials designed to stop small dust particles. The dust filter should be used for dry pick-up only. A dry dust filter is necessary to pick up dust. If the dust filter is wet, it will clog quickly and be difficult to clean. Handle the filter carefully when removing it for cleaning or replacing. Check the filters for tears or small holes. A small hole can let dust pass through and out of the filter. Do not use a filter with holes or tears in it; replace it immediately.

**WARNING: ALWAYS DISCONNECT THE PLUG FROM THE POWER OUTLET BEFORE REMOVING THE POWER HEAD FROM COLLECTION TANK.**

# INSTALLING & CLEANING CARTRIDGE FILTER



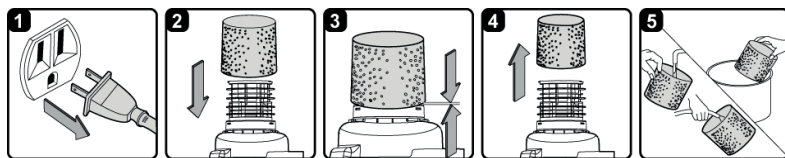
## Installing Cartridge Filter

1. Verify that the power cord is disconnected from the outlet. (fig. 1)
2. Remove power head and place in upside down position.
3. Install the cartridge filter over the filter cage with the flat end of the filter towards the power head. Carefully push filter in until it stops against the power head. (fig. 2 & 3)
4. Place filter retainer on top of cartridge filter over the raised lip and tighten down by turning retainer clockwise; do not over-tighten. (fig. 4 & 5)

## Removing and Cleaning Cartridge Filter

1. Unlock and remove the filter retainer by turning retainer handle counter clockwise.
2. Carefully hold and pull the cartridge filter up for removal. (fig. 6)
3. Clean the cartridge filter by gently tapping or brushing dirt off. Cleaning should not be done indoors in living areas. For optimal performance a new filter is recommended.
4. Install cleaned or new filter as instructed above in steps 2 and 3 of Installing Cartridge Filter.
5. Wet filters should be removed and allowed to air dry for 24 hours before installing onto the filter cage.

# INSTALLING & CLEANING FOAM WET FILTER



## Installing Foam Wet Filter

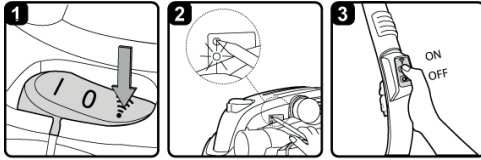
1. Verify that the power cord is disconnected from the outlet. (fig. 1)
2. Remove power head and place in upside down position. Follow instructions to remove cartridge filter.
3. Carefully slide foam wet filter down over the filter cage making sure the cage is completely covered. (fig. 2 & 3)
4. Place the power head onto the collection tank.


## Cleaning Foam Wet Filter

1. With the removed power head in an upside down position, carefully remove foam wet filter. (fig. 4)
2. Use a mild soap and water solution to wash foam wet filter and rinse with clean water. (fig. 5)
3. Allow filter to air dry before installing and using again.

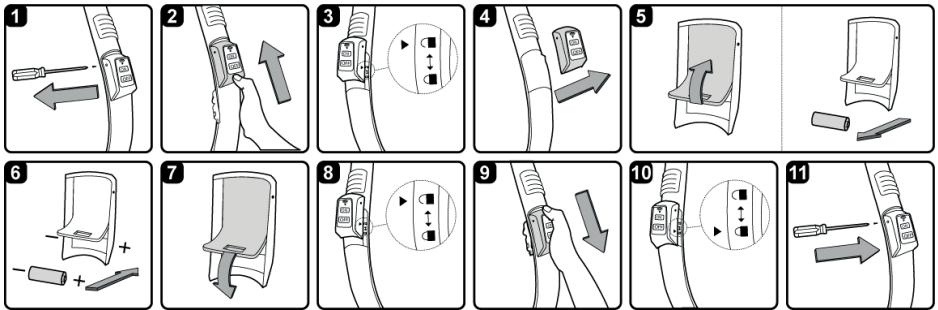
# RESETTING THE REMOTE CONTROL




## Resetting The Remote Control



1. Set the power switch to remote control position “”. (fig. 1)
2. Press the RESET button on the side of the power head with a pen tip until the indicator lights up. (fig. 2)
3. Within 15 seconds, press and hold the “ON” or “OFF” button on the remote control. If you didn’t press and hold the “ON” or “OFF” button within 15 seconds, it will cancel this resetting. (fig. 3)
4. When the light blinks 3 times, this means the remote control is programmed.

## Changing The Battery – Replace With A 23AE 12V Alkaline Battery Only



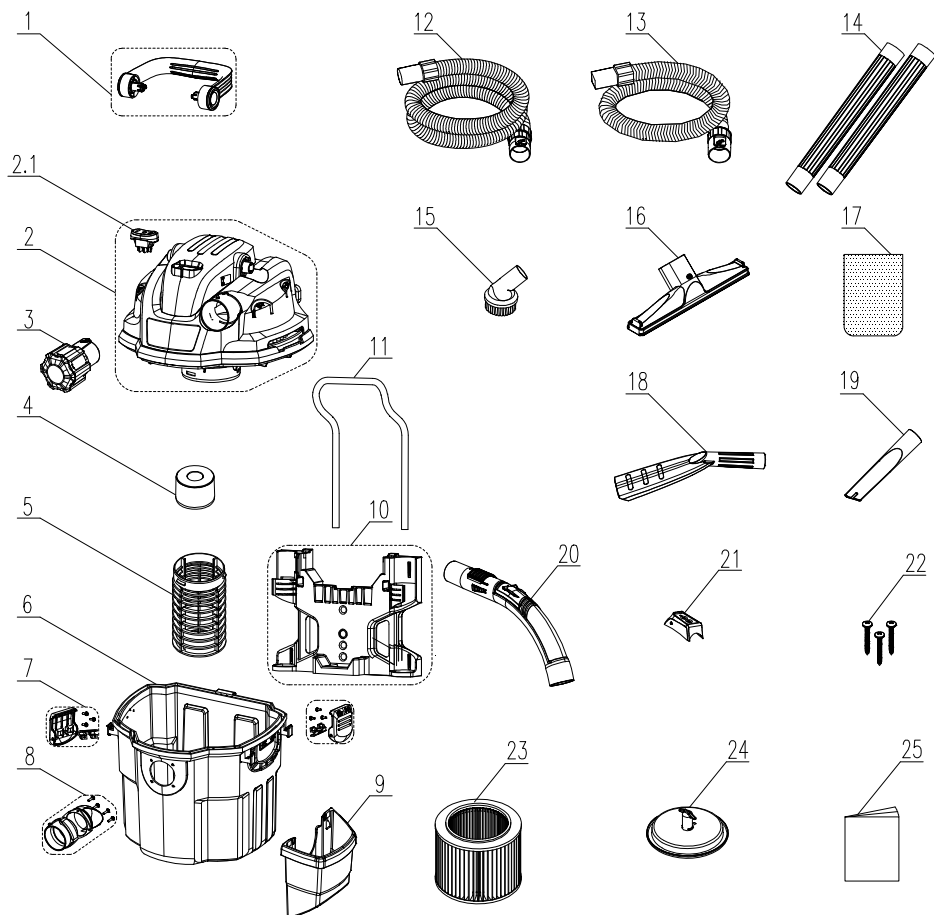
1. Take a Phillips screwdriver and remove the screws on the remote control. (fig. 1)
2. Slide back the remote cover so that the white triangle on the remote cover points to the unlock symbol “”. (fig. 2 & 3)
3. Remove the remote cover from the handle. (fig. 4)
4. Lift the foam cover to expose the battery and remove the old battery. (fig. 5)
5. Insert the new battery with the terminals in the direction shown and make sure to replace the foam cover. (fig. 6 & 7)
6. Replace the remote control by aligning the white triangle on the side cover to the unlock symbol “” on the handle. (fig. 8)
7. Slide the remote cover so that the white triangle is over the locked symbol “”. (fig. 9 & 10)
8. Secure the cover with the screws. Do not over-tighten. (fig. 11)

# TROUBLESHOOTING

**WARNING: TO REDUCE THE RISK OF ELECTRIC SHOCK, UNPLUG BEFORE TROUBLESHOOTING.**

Symptom	Possible Causes	Corrective Action
Vacuum will not operate.	1) No power supply.	1) Check power supply – cord, breakers, fuses.
	2) Faulty power cord.	2) Unplug and check the power cord. If damaged, have it repaired by a professional.
	3) Collection tank full.	3) Empty collection tank.
	4) Switch in the wrong position	4) Press the ON 'I' button on the power head.
Dust comes from motor cover.	1) The dust filter is missing or damaged.	1) Attach or replace dust filter.
Reduced efficiency and motor/speed vibration.	1) There is a blockage in the nozzle or hose, or the collection tank inlet. Or dust filter blocked by fine dust.	1) Check nozzle, hose and collection tank inlets for blockage. Take off the filter and clean it or install a new filter.
Remote will not operate	1) Battery is dead.	1) Replace the battery.

# EXPLODED VIEW





# PARTS LIST

Part	Part Number	Description	Quantity
1	551252101	Handle Assembly	1
2		Power Head Assembly	1
2.1	551252103	Switch	1
3	551109129	Air/Noise Diffuser	1
4	551005103	Float	1
5	551001189	Filter Cage	1
6		Collection Tank	1
7	551001111	Latch Assembly	2
8	551001153	Vacuum Port Assembly	1
9	551001112	Accessory Storage Caddy	1
10	551001126	Mounting Rack	1
11	551001125	Hose Storage Rod Assembly	1
12	551001113	1-7/8" X 11' Hose	1
13	551001114	1-7/8" X 10' Flex Hose	1
14	551001121	1-7/8" Extension Wand	2
15	551001116	1-7/8" Round Dust Brush	1
16	551001117	1-7/8" Floor Nozzle	1
17	551001124	Foam Wet Filter	1
18	551109125	1-7/8" Crevice Tool	1
19	551109126	1-7/8" Car Nozzle	1
20	551001119	Remote Control Handle Assembly	1
21	551252105	Remote Control Switch Assembly	1
22	551001122	Screw	3
23	551001106	Cartridge Filter	1
24	551001107	Filter Retainer	1

This manual was downloaded from

# wet-dry-vac.com

The most comprehensive source of information about wet/dry shop vacuums on the Internet!

Wet-dry-vac.com allows you to learn about how to purchase a wet/dry vac, compare and review detailed specifications on hundreds of models, and find compatible filters.

You can also view manuals, parts lists and brochures for hundreds of models. Plus, you can find the best prices for vacuums and filters, and purchase online right from the site.

