



**Certified HEPA
Vacuum**

Operator's Manual



**8 Gallon
Model No.
VK811PH**

FOR YOUR SAFETY

Read and understand this manual before use.
Keep this manual for future reference.



**Distributed By
Cleva North America, Inc.
601 Regent Park Court
Greenville, SC 29607**

Replacement Filters &
Accessories available at:
Vacmaster.com

TABLE OF CONTENTS

SECTION	PAGE
Warranty.....	2
Safety Instructions & Warnings.....	3
Double Insulation Instructions.....	4
Extension Cords.....	4
Unpacking & Checking Carton Contents.....	5
General Assembly Instructions.....	6
Dry Vacuum Operation.....	7
Liquid Vacuum Operation.....	9
Maintenance.....	10
Installing HEPA Filter & Pre-filter.....	11
Installing & Cleaning Foam Wet Filter.....	12
When To Change Filters.....	12
Troubleshooting.....	13
Exploded View.....	14
Parts List.....	15

Thank you for purchasing this Vacmaster® HEPA vacuum cleaner. Feel confident that with Vacmaster® you are obtaining a high quality product engineered for optimal performance. This vacuum is capable of picking up liquids and dry materials.

FOR YOUR SAFETY: CAREFULLY READ AND UNDERSTAND ALL INSTRUCTIONS.

WARRANTY

Your new Vacmaster vacuum is a high quality, durable product. All parts used in the manufacturing of this vacuum have passed rigid quality control standards prior to assembly. The vacuum motor is warrantied for three (3) years from the date of purchase as shown on your receipt. All other parts are warrantied for 90 days from the date of purchase. Do not return a failed unit to the place of purchase or service center. Any charges for the shipping of a Vacmaster unit under warranty are the purchaser's responsibility unless Vacmaster requests such return in writing. Please keep your receipt as proof of purchase. This warranty gives you specific legal rights, which may vary from state to state. There are no warranties, express or implied, written or verbal, which extend beyond the description found in this manual. For warranty inquiries or product service call Customer Service at 1-866-384-8432.

Not Covered By Warranty:

- Any part that has become inoperative due to misuse, negligence, direct/indirect abuse, accidents, improper maintenance, repairs or alterations;
- Consumables such as filters and accessories;
- Normal wear and tear of parts and attachments, such as hose, nozzles, or casters;
- Normal deterioration of the exterior finish due to use or exposure;
- Any product where serial number/data label is tampered with or removed;
- Any product purchased from an unauthorized retailer.

SAFETY INSTRUCTIONS & WARNINGS

IMPORTANT SAFETY INSTRUCTIONS

READ AND UNDERSTAND ALL INSTRUCTIONS BEFORE USING THIS VACUUM.

Read and understand this owner's manual and all labels on the vacuum cleaner before operating. Safety is a combination of common sense, staying alert and knowing how your vacuum works. Use this vacuum only as described in this manual. To reduce the risk of personal injury or damage to your vacuum, use only Vacmaster® recommended accessories.

For household or commercial use

SAVE THIS MANUAL FOR FUTURE REFERENCE.

When using an electrical appliance, basic precautions should always be followed including the following:

WARNING: TO REDUCE THE RISK OF FIRE, ELECTRIC SHOCK, OR INJURY:

- Do not run vac unattended.
- Do not vacuum, or use this vacuum near flammable liquids, gases, or explosive vapors like gasoline or other fuels, lighter fluids, cleaners, oil-based paints, natural gas, hydrogen, or explosive dusts like coal dust, magnesium dust, grain dust, or gun powder. Sparks inside the motor can ignite flammable vapors or dust.
- Do not vacuum anything that is burning or smoking, such as cigarettes, matches, or hot ashes.
- Keep cord away from heated surfaces.
- Do not expose to rain. Store indoors.
- Do not unplug by pulling on cord. To unplug, grasp the plug, not the cord.
- Do not use with damaged cord, plug, or other parts.
- If vac is not working as it should, has been dropped, damaged, left outdoors, or dropped into water, return it to a service center.
- Do not pull or carry by cord, use cord as handle, close a door on cord, or pull cord around sharp edges or corners.
- Do not run vacuum over cord.
- Do not handle plug or the vacuum with wet hands.
- To reduce the risk of health hazards from vapors or dusts, do not vacuum toxic materials.
- Do not store near hazardous materials.
- Do not use this vacuum with a torn filter or without the filter installed except when vacuuming liquids as described in the operation section of this manual.
- Do not allow to be used as a toy. Close attention is necessary when used by or near children.
- To reduce the risk of injury from accidental starting, unplug power cord before changing or cleaning filter.
- Do not leave vacuum unattended when plugged in. Unplug from outlet when not in use and before servicing.
- Turn off vacuum before unplugging.
- Do not put any object into ventilation openings. Do not vacuum with any ventilation openings blocked; keep free of dust, lint, hair, or anything that may reduce air flow.
- Keep hair, loose clothing, fingers, and all parts of body away from openings and moving parts.
- To reduce the risk of falls, use extra care when cleaning on stairs.
- When using for HEPA EPA RRP cleanup tasks, use only certified Vacmaster HEPA filter.
- Even when used with a HEPA filter, extremely small particles may pass through the filter; always wear appropriate protective safety equipment.

WARNING: IF FILTERS ARE CONTAMINATED OR HAVE BEEN USED, THEY MUST BE DISPOSED OF PROPERLY, PRIOR TO PERFORMING WET VACUUMING OPERATIONS.

DOUBLE INSULATION INSTRUCTIONS


This vacuum is double-insulated, eliminating the need for a separate grounding system. Use only identical replacements parts. Read the instructions for Servicing Double-Insulated Wet/Dry Vacs before servicing. Use this vacuum as described in this manual. Observe the following warnings that appear on the motor housing of your vacuum.



DOUBLE INSULATED - GROUNDING NOT REQUIRED - WHEN SERVICING USE ONLY IDENTICAL REPLACEMENT PARTS.

WARNING: TO REDUCE THE RISK OF ELECTRIC SHOCK, DO NOT EXPOSE TO RAIN. STORE INDOORS.

WARNING: FOR YOUR OWN SAFETY, READ AND UNDERSTAND OPERATOR'S MANUAL. DO NOT RUN UNATTENDED. DO NOT PICK UP HOT ASHES, COALS, TOXIC, FLAMMABLE, OR OTHER HAZARDOUS MATERIALS. DO NOT USE AROUND EXPLOSIVE LIQUIDS OR VAPORS.

WARNING: SERVICING OF DOUBLE-INSULATED WET/DRY VACUUM WITH A DOUBLE-INSULATED WET/DRY VACUUM, TWO SYSTEMS OF INSULATION ARE PROVIDED INSTEAD OF GROUNDING. NO GROUNDING MEANS IS PROVIDED ON A DOUBLE-INSULATED APPLIANCE, NOR SHOULD A MEANS FOR GROUNDING BE ADDED. SERVICING A DOUBLE-INSULATED WET/DRY VACUUM REQUIRES EXTREME CARE AND KNOWLEDGE OF THE SYSTEM, AND SHOULD BE DONE ONLY BY QUALIFIED SERVICE PERSONNEL. REPLACEMENT PARTS FOR A DOUBLE-INSULATED WET/DRY VACUUM MUST BE IDENTICAL TO THE PARTS THEY REPLACE. YOUR DOUBLE-INSULATED WET/DRY VAC IS MARKED WITH THE WORDS 'DOUBLE INSULATED' AND THE SYMBOL  (SQUARE WITHIN A SQUARE) MAY ALSO BE MARKED ON THE APPLIANCE.

- To reduce the risk of electric shock, unplug before cleaning or servicing.
- DO NOT use without filters in place.

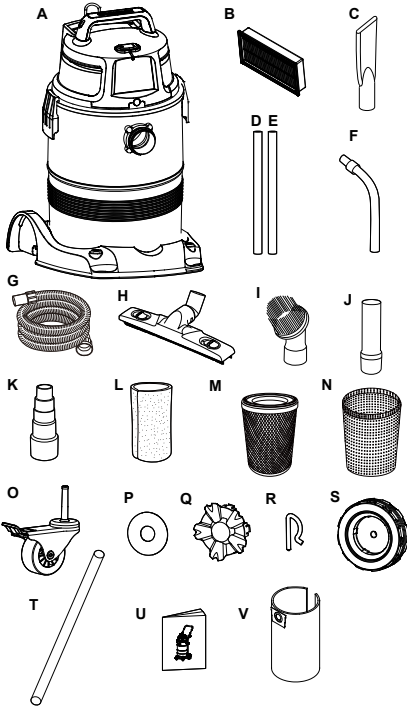
CAUTION: TO REDUCE THE RISK OF INJURY FROM MOVING PARTS, UNPLUG BEFORE SERVICING.

EXTENSION CORDS

When using an extension cord with your vacuum refer to the following table to determine the required A.W.G. wire size. Before using the cleaner make sure the power cord and extension cord are in good working condition. Make repairs or replacements before using the vacuum cleaner. Only use extension cords that are rated for outdoor use.

110V-120V	Length of Extension Cord			
	25 Feet 7.5 Meters	50 Feet 15.25 Meters	100 Feet 30.5 Meters	150 Feet 45.7 Meters
Amps	A.W.G. Wire Size			
0-6	18	16	16	14
7-10	18	16	14	12
11-12	16	16	14	12
13-16	14	12	Not recommended	

UNPACKING & CHECKING CARTON CONTENTS



Remove all contents from the box. Remove the power head and take out any contents inside the collection tank. Check each item against the carton contents list.

Carton Contents List:

Key	Description	Qty.
A	Vac Assembly.....	1
B	HEPA Material Exhaust Filter.....	1
C	Crevice Tool.....	1
D	Locking Steel Extension Wand (1).....	1
E	Locking Steel Extension Wand (2).....	1
F	Steel Elbow with Air Control.....	1
G	Crushproof Hose.....	1
H	15" Deluxe Floor Nozzle.....	1
I	Premium Round Dust Brush.....	1
J	Metal Accessory Adapter.....	1
K	Power Tool Adapter.....	1
L	Foam Wet Filter.....	1
M	HEPA Cartridge Filter.....	1
N	Microfiber Pre-Filter.....	1
O	Front Caster.....	2
P	Washer.....	4
Q	Hub Cap.....	2
R	'R' (Lock Pin).....	2
S	Rear Wheel.....	2
T	Wheel Axle.....	1
U	Operator's Manual.....	1
V	Sealable Tear-Resistant Collection Bag..	1

Hose Hook / Power Cable Hook

Handle

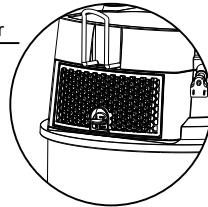
On / Off Switch

Vacuum Port

Collection Tank

Caster

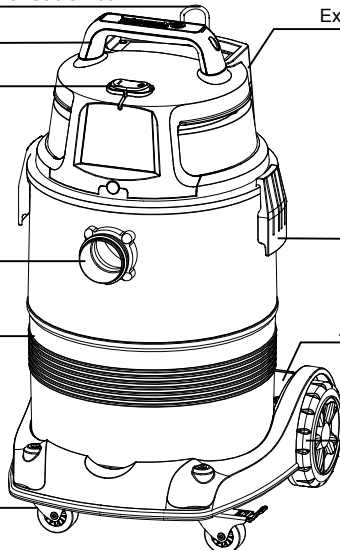
Exhaust Filter



Latch

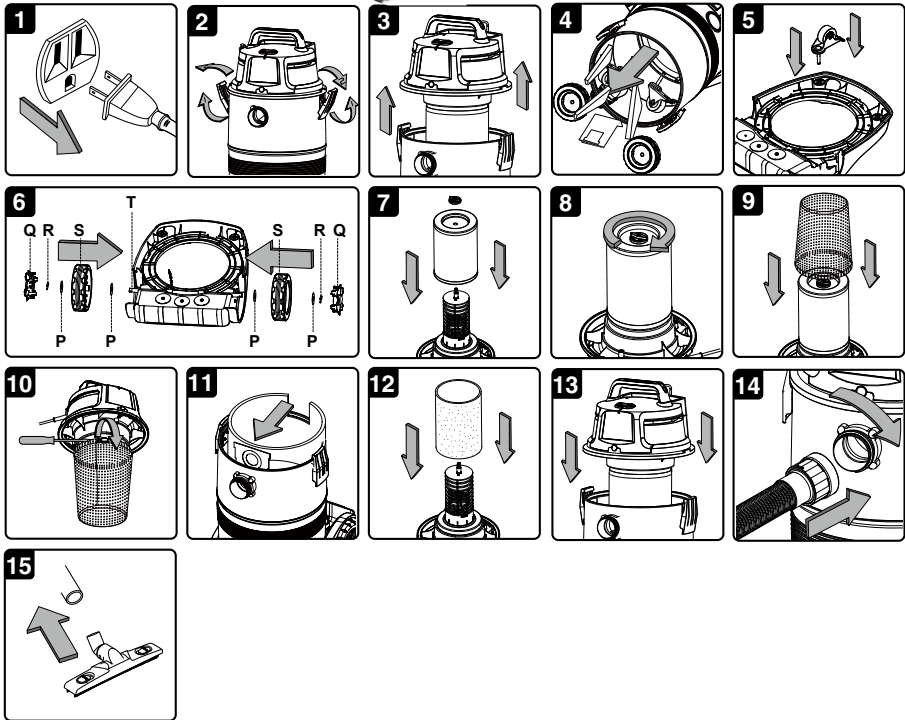
Accessory storage

Wheel



GENERAL ASSEMBLY INSTRUCTIONS

A Philips head screw driver is required.



WARNING: DO NOT PLUG POWER CORD INTO POWER OUTLET; MAKE SURE PLUG IS DISCONNECTED BEFORE ASSEMBLING THE WET/DRY VAC.

This HEPA vacuum is supplied with a certified HEPA filter that has been tested by an independent lab to IEST-RP-CC001 that meets the EPA's definition of a HEPA vacuum (must be capable of trapping 99.97% of particles down to 0.3 microns in diameter). It can be used to pick up materials like sawdust and gravel, as well as ultra fine materials like drywall dust and cold fireplace ash.

CAUTION: This vacuum has been specifically designed to clean up hazardous dust. Special filters reduce the incidence of airborne dust that would be created by other methods of cleaning. During the removal of hazardous dust, DO NOT sweep, scoop, shovel or in any manner handle other than by vacuuming. DO NOT at any time attempt to substitute or alter the filters in this vacuum. Never operate without filters in place. Use only manufacturer's approved vacuum filters and filter bags. Before attempting to use or before cleaning with this vacuum, be sure that you fully understand the instructions for setting up and cleaning/changing filters. Any health hazards associated with use of this vacuum in conjunction with the removal of hazardous material has not been investigated by Underwriters Laboratories, Inc.

UNPACKING YOUR HEPA VACUUM & GENERAL ASSEMBLY

1. Verify that the power cord is disconnected from the outlet. (fig. 1)
2. Undo the latches. (fig. 2)

3. Lift the power head off the collection tank. (fig. 3)
4. Remove the contents from inside the collection tank. Make sure you have all contents as listed on page 5. (fig. 4)
5. Turn the collection tank upside down and insert the two caster feet into the front slots on the base. Apply downward pressure to each caster. Casters will "snap" into place when installed properly. Verify that the casters are mounted correctly. (fig. 5)
6. Insert the wheel axle into the base. Insert washer onto the axle followed by rear wheel and insert another washer. Insert the 'R' locking pin into the hole on the end of the axle to lock the wheel. Snap the hub cap onto the wheel. Repeat the same steps at the other end of the axle. (fig. 6)
7. Your vacuum comes ready for dry vacuum cleaning. If HEPA filter and pre-filter are not installed refer to page 11 for installation instructions. (fig. 7 & 8)
8. Fit collection bag flange onto the inlet port, taking care not to damage the bag. (fig. 11)
9. For wet vacuum cleaning, remove the pre-filter, HEPA filter and collection bag, and install the supplied foam filter. (fig. 12) See page 12 for filter installation instructions.
10. Place the power head back on the tank, aligning the top section with the latches, and snap into place. (fig. 13)
11. Insert the locking end of the hose into the vacuum port and turn to lock into place. (fig. 14)
12. Choose the desired accessories and push onto the suction tube. (fig. 15)

WARNING: IF FILTERS ARE CONTAMINATED OR HAVE BEEN USED, THEY MUST BE DISPOSED OF PROPERLY, PRIOR TO PERFORMING WET VACUUMING OPERATIONS.

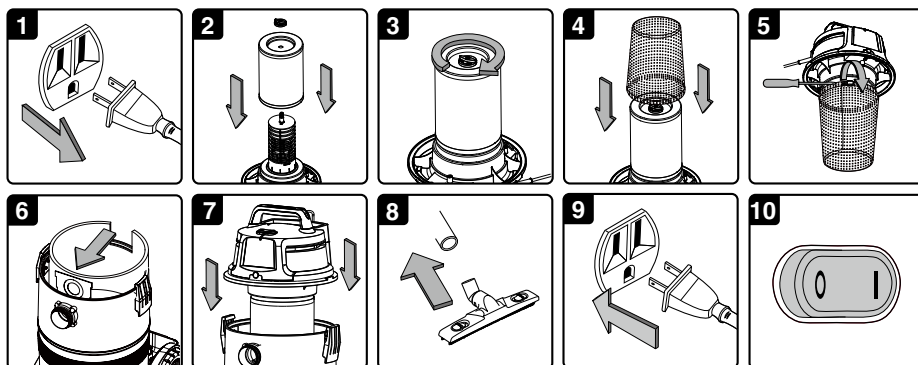
LIGHTED PLUG

This vacuum comes standard with a lighted plug that when plugged in lights up showing user that wall receptacle is working and that vacuum has power.

POLARIZED PLUG

To reduce the risk of electrical shock, this appliance has a polarized plug (one blade wider than the other). This plug will fit in a polarized outlet only one way. If the plug does not fit fully in the outlet, reverse the plug. If it still does not fit, contact a qualified electrician to install the proper outlet. Do not change the plug in any way. Double insulation eliminates the need for the three wire grounded power cord and grounded power supply system.

DRY VACUUM OPERATION



DRY VACUUMING

WARNING: BE SURE TO READ, UNDERSTAND, AND APPLY, INFORMATION ENTITLED 'SAFETY INSTRUCTIONS & WARNINGS'. DO NOT VACUUM IN AREAS WITH FLAMMABLE GASES, VAPORS, OR EXPLOSIVE DUSTS IN THE AIR. FLAMMABLE GASES OR VAPORS INCLUDE BUT ARE NOT LIMITED TO: LIGHTER FLUID, SOLVENT TYPE CLEANERS, OIL-BASED PAINTS, GASOLINE, ALCOHOL, OR AEROSOL SPRAYS. EXPLOSIVE DUSTS INCLUDE BUT ARE NOT LIMITED TO: COAL, MAGNESIUM, GRAIN, OR GUN POWDER. TO REDUCE THE RISK OF HEALTH HAZARDS FROM VAPORS OR DUST, DO NOT VACUUM TOXIC MATERIALS.

CAUTION: NEVER operate the vacuum cleaner without all of the filters installed. This includes the HEPA filter, pre-filer and collection bag. Motor damage, loss of operating efficiency, and recirculation of hazardous material into the work area will take place if not installed.

1. Verify that the power cord is disconnected from the outlet. (fig. 1)
2. In order to prepare your vacuum for dry vacuuming, verify that the HEPA filter is securely mounted. Remove the power head and place in an upside down position. Make sure the filter is pushed in firmly against the power head. Install the flat rubber washer and retainer. (fig. 2 & 3)
3. Slide the pre-filter onto the assembled HEPA filter. Tighten the band clamp on the pre-filter with a screwdriver to ensure proper installation. (fig. 4 & 5) For installation instructions, see page 11.
4. Optional: For improved dust collecting, fit collection bag flange onto the inlet port, taking care not to damage the bag. (fig. 6)
5. Place the power head back on the collection tank, and secure it in place using the latches. (fig. 7)

OPERATING INSTRUCTIONS: DRY VACUUMING

1. Insert the locking end of the hose into the vacuum port and lock in place. Push the required attachment onto the free end of the hose or extension. (fig. 8)
2. Plug the power cord into the outlet. (fig. 9)
3. Turn the motor on by flipping the switch to the 'I' ON position. (fig. 10)
4. Once you have completed vacuuming, flip the switch to the 'O' OFF position and unplug the power cord from the outlet.

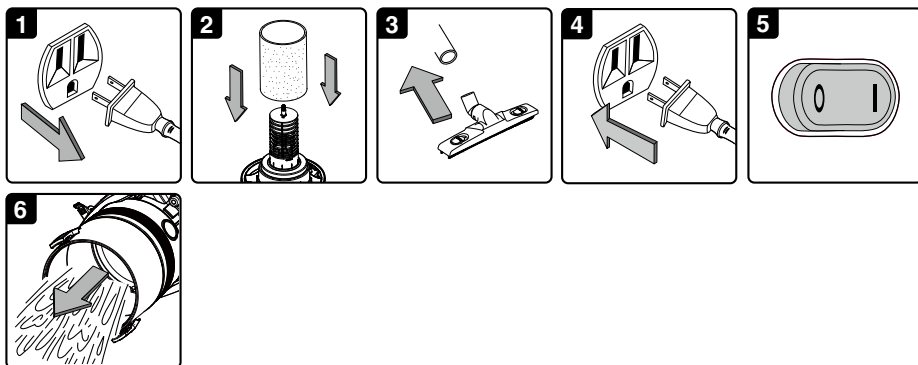
O = OFF I = ON

WARNING: IF FILTERS ARE CONTAMINATED OR HAVE BEEN USED, THEY MUST BE DISPOSED OF PROPERLY, PRIOR TO PERFORMING WET VACUUMING OPERATIONS.

DO NOT USE THE HEPA FILTER FOR LIQUID VACUUMING.

Hazardous materials must be disposed of properly. NEVER throw contaminated debris in your usual trash receptacle. Place debris in a OSHA approved poly bag or container marked with HAZARDOUS MATERIAL warning and dispose in accordance with your local Hazardous Waste Regulations.

LIQUID VACUUM OPERATION



LIQUID VACUUMING

WARNING: BE SURE TO READ, UNDERSTAND, AND APPLY, INFORMATION ENTITLED 'SAFETY INSTRUCTIONS & WARNINGS'. DO NOT VACUUM IN AREAS WITH FLAMMABLE GASES, VAPORS, OR EXPLOSIVE DUSTS IN THE AIR. FLAMMABLE GASES OR VAPORS INCLUDE BUT ARE NOT LIMITED TO: LIGHTER FLUID, SOLVENT TYPE CLEANERS, OIL-BASED PAINTS, GASOLINE, ALCOHOL, OR AEROSOL SPRAYS. EXPLOSIVE DUSTS INCLUDE BUT ARE NOT LIMITED TO: COAL, MAGNESIUM, GRAIN, OR GUN POWDER. TO REDUCE THE RISK OF HEALTH HAZARDS FROM VAPORS OR DUST, DO NOT VACUUM TOXIC MATERIALS.

WARNING: DO NOT PLUG POWER CORD INTO POWER OUTLET; MAKE SURE PLUG IS DISCONNECTED BEFORE ASSEMBLING THE WET/DRY VAC.

1. Verify that the power cord is disconnected from the outlet. (fig. 1) Make sure that the collection tank is clean and free from dust and dirt.
2. Remove all filters and dispose of properly.
3. Rinse the inside of the collection tank to remove any loose debris and dispose of liquid in suitable container.
4. Carefully install the foam wet filter over the filter cage and place the power head back on the collection tank. (fig. 2) See filter installation instructions on page 12.

DO NOT USE THE HEPA FILTER FOR LIQUID VACUUMING.

WARNING: IF FILTERS ARE CONTAMINATED OR HAVE BEEN USED, THEY MUST BE DISPOSED OF PROPERLY, PRIOR TO PERFORMING WET VACUUMING OPERATIONS.

OPERATING INSTRUCTIONS: WET VACUUMING

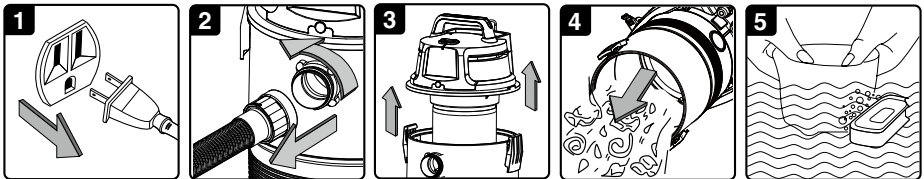
1. Fit the desired nozzle to the vacuum hose. (fig. 3)
2. Verify that the switch is in the 'O' OFF position before plugging the power cord into the outlet. (fig. 4)
3. Turn the motor on by turning the switch to the 'I' ON position. (fig. 5)
4. After use, empty the collection tank by unscrewing the drain cap. Drain liquids into a suitable receptacle or drain. Remember to refit the drain cap to the collection tank after draining. (fig. 6)

IMPORTANT! When vacuuming large quantities of liquids, do not immerse the nozzle completely in the liquid; leave a gap at the tip of the nozzle opening to allow air inflow. The machine is fitted with a float valve that stops the suction action when the collection tank reaches

its maximum capacity. You will notice an increase in motor speed. When this happens, turn off the machine, disconnect from power supply, and drain the liquid into a suitable receptacle or drain. To continue vacuuming, refit the collection tank with the drain cap. After wet vacuuming, turn the machine off and remove plug from power supply. Empty the collection tank, clean and dry the inside and outside before storage.

REMEMBER! The foam filter must be removed after wet vacuuming, and the HEPA filter must be reinstalled before dry vacuuming again.

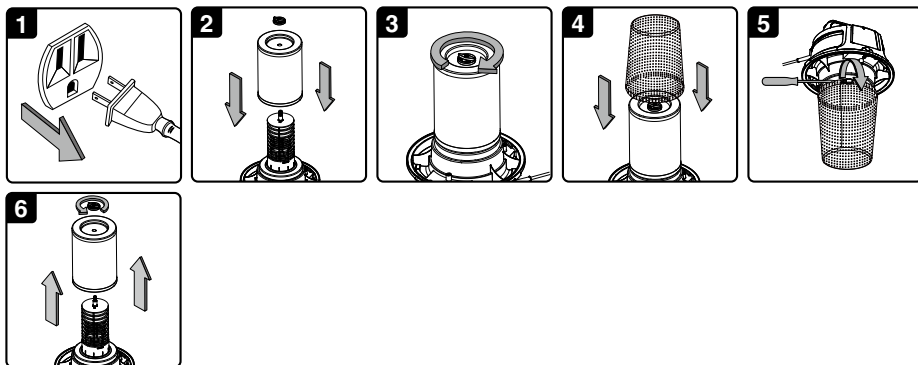
MAINTENANCE



WARNING: ALWAYS DISCONNECT THE PLUG FROM THE POWER OUTLET BEFORE REMOVING THE POWER HEAD FROM THE COLLECTION TANK.

1. Verify that the power cord is disconnected from the outlet. (fig. 1)
2. Disconnect the hose from the vacuum. (fig. 2)
3. Undo the latches and remove the power head from the collection tank. (fig. 3)
4. Clear all dirt or debris from the collection tank and hose. (fig. 4)
5. Clean the foam wet filter by washing it with water and mild soap. (fig. 5)
6. Check the hose, attachments, and power cord to verify that they have not been damaged.

INSTALLING HEPA FILTER & PRE-FILTER



Installing HEPA Filter & Pre-Filter

1. Verify that the power cord is disconnected from the outlet. (fig. 1)
2. Remove power head and place in upside down position.
3. Install the HEPA filter over the filter cage with the flat end of the filter towards the power head. Carefully push filter in until it stops against the power head. (fig. 2)
4. Place filter retainer on top of cartridge filter over the raised lip and tighten down by turning retainer clockwise. Do not over-tighten. (fig. 3)
5. Slide the pre-filter onto the assembled HEPA filter, over the lower end cap. Tighten the band clamp on the pre-filter with a screwdriver to ensure proper installation. (fig. 4 & 5)

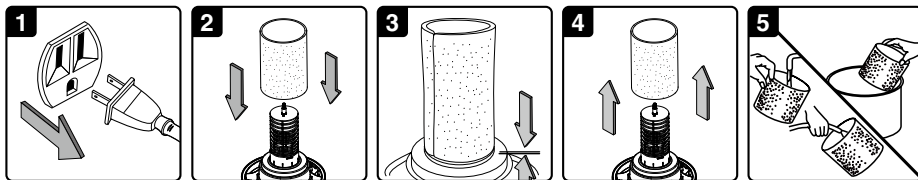
Removing HEPA Filter & Pre-Filter

1. Loosen the band clamp on the pre-filter with a screwdriver, and remove the pre-filter from the HEPA filter.
2. Unlock and remove the filter retainer by turning retainer counter clockwise.
3. Carefully hold and pull the HEPA filter up for removal. (fig. 6)
4. Install the HEPA filter as instructed above in steps 2 and 3 of Installing HEPA filter.
5. The foam wet filter should be removed and allowed to air dry for 24 hours before installing onto the filter cage.

IMPORTANT! Change the cartridge filter regularly for best performance. ALWAYS USE THE HEPA FILTER FOR DRY VACUUMING. If the machine is used for dry vacuuming without the HEPA filter and retainer attached, the motor will burn out and the warranty will be voided.

NOTICE! The HEPA cartridge filter included is made of high quality materials designed to stop small dust particles. The HEPA cartridge filter should be used for dry pick-up only. A dry HEPA cartridge filter is necessary to pick up dust. If the HEPA cartridge filter is wet, it will clog quickly and be very difficult to clean. Handle the HEPA cartridge filter carefully when removing it or replacing it. Check the HEPA cartridge filter for tears or small holes; a small hole can let dust pass through and out of the filter. Do not use a HEPA cartridge filter with holes or tears; replace it immediately.

INSTALLING & CLEANING FOAM WET FILTER



Installing Foam Wet Filter

1. Verify that the power cord is disconnected from the outlet. (fig. 1)
2. Remove power head and place in upside down position. Follow instructions to remove cloth filter.
3. Carefully slide foam wet filter down over the filter cage making sure the cage is completely covered. (fig. 2 & 3)
4. Place the power head onto the collection tank.

Cleaning Foam Wet Filter

1. Remove power head and place in upside down position. Carefully remove the foam wet filter. (fig. 4)
2. Use a mild soap and water solution to wash foam wet filter and rinse with clean water. (fig. 5)
3. Allow filter to air dry before installing and using again.

WHEN TO CHANGE FILTERS

Change the collection bag

When the collection bag is 3/4 full, it MUST be replaced. Excessive over filling of this bag makes it difficult to remove from the vacuum tank and can result in breakage and spills. The collection bag comes equipped with a quick closing flap. When collection bag becomes 3/4 full, turn off vacuum and slowly remove the collection bag from the tank until the opening in the collection bag is clear of the tank. Pull the closure slide up on the collection bag, which will close the opening. Hazardous materials must be disposed of properly. NEVER throw contaminated debris in your usual trash receptacle. Place closed collection bag in an OSHA approved poly bag or container marked with HAZARDOUS MATERIAL warning and dispose in accordance with your local Hazardous Waste Regulations.

Change the pre-filter

The pre-filter should be replaced with every fifth change of the collection bag and whenever there is damage or a visible collection of debris on the outside of the filter.

Change the HEPA filter

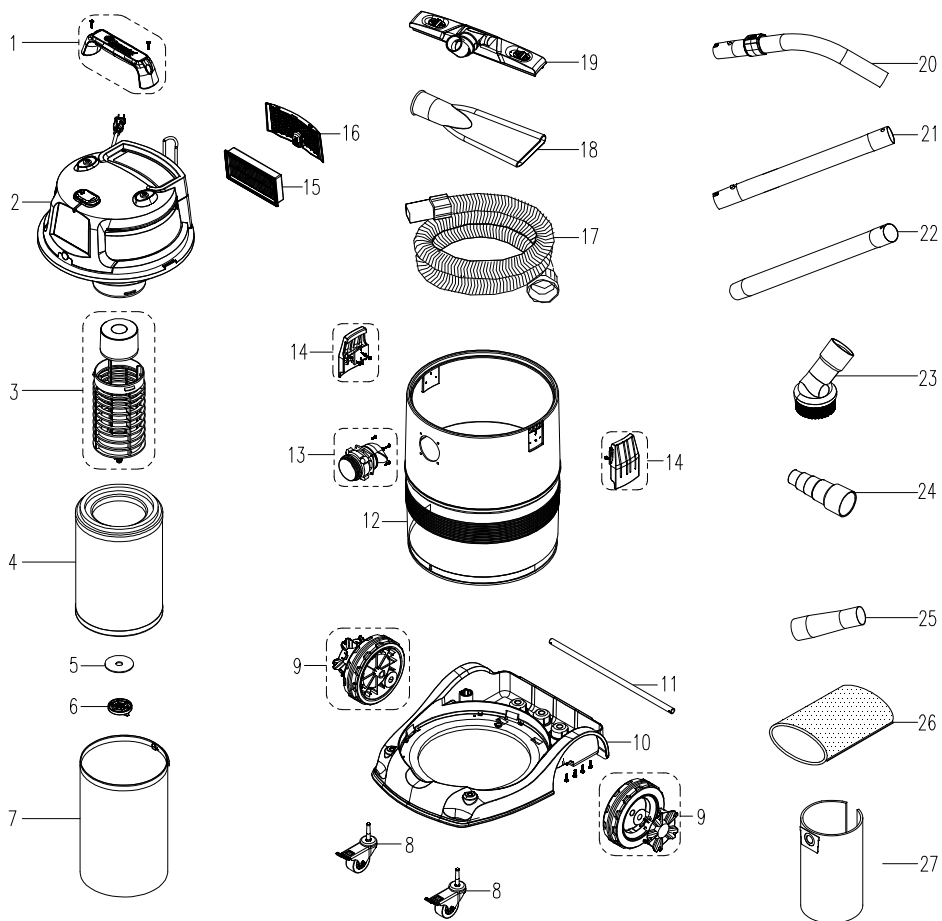
Replace the HEPA filter when loss of vacuum power continues to occur after you have checked for an obstructions in the hose or wand. Also install a new collection bag and pre-filter.

TROUBLESHOOTING

WARNING: TO REDUCE THE RISK OF ELECTRIC SHOCK, UNPLUG BEFORE TROUBLESHOOTING.

Symptom	Possible Causes	Corrective Action
Vacuum will not operate	1) No power supply.	1) Check power supply – cord, breakers, fuses.
	2) Faulty power cord.	2) Unplug and check the power cord. If damaged, have it repaired by a professional.
	3) Collection tank full.	3) Empty collection tank.
Dust comes out from motor cover.	1) The cartridge filter is missing or damaged.	1) Attach or replace cartridge filter.
Reduced efficiency and motor/speed vibration.	1) There is a blockage in the nozzle, hose, or the collection tank inlet. The cartridge filter is clogged by fine dust.	1) Check nozzle, hose and collection tank inlets for blockage. Take off the filter and clean it or install a new cartridge filter.

EXPLODED VIEW



PARTS LIST

Part	Part Number	Description	Quantity
1	551267101	Handle Assembly	1
2		Power Head Assembly	1
3	551022105	Float Filter Cage	1
4	VKHF002	HEPA Cartridge Filter	1
5	551022107	HEPA Lid Seal Ring	1
6	551022108	HEPA Nut	1
7	551022109	Microfiber Pre-Filter	1
8	551017120	Caster Assembly	2
9	551022123	Wheel Assembly	2
10	551018107	Base Assembly	1
11	551017119	Wheel Axle	1
12		Collection Tank	1
13	551017113	Vacuum Port Assembly	1
14	551267104	Latch Assembly	2
15	VKEF001	HEPA Material Exhaust Filter	1
16	551267105	Exhaust Filter Door	1
17	V5H10	Crushproof Hose	1
18	V5CT	Crevice Tool	1
19	V5FBS	15" Deluxe Floor Nozzle	1
20	551109121	Steel Elbow with Air Control	1
21	551109122	Locking Steel Extension Wand (1)	1
22	551109120	Locking Steel Extension Wand (2)	1
23	V5RB	Premium Round Dust Brush	1
24	551018115	Power Tool Adapter	1
25	551008133	Metal Accessory Adapter	1
26	VKFF001	Foam Wet Filter	1
27	551017128	Sealable Tear-Resistant Collection Bag	1

This manual was downloaded from

wet-dry-vac.com

The most comprehensive source of information about wet/dry shop vacuums on the Internet!

Wet-dry-vac.com allows you to learn about how to purchase a wet/dry vac, compare and review detailed specifications on hundreds of models, and find compatible filters.

You can also view manuals, parts lists and brochures for hundreds of models. Plus, you can find the best prices for vacuums and filters, and purchase online right from the site.

