



Wet/Dry Vacuums
Aspirateur de débris secs et de liquides
Aspiradora Mojado/Seco

Operator's Manual
Manuel d'utilisation
Manual del Usuario

FR

P. 13

ES

P. 24



2.5 Gal / 10 L

Model No. • Modèle n° • Modelo
AA255

FOR YOUR SAFETY:

Read and understand this manual before use. Keep this manual for future reference.

POUR VOTRE SÉCURITÉ:

Veillez lire attentivement et comprendre ce manuel d'utilisation avant d'utiliser l'aspirateur de débris secs et de liquides. Conserver ce manuel pour référence ultérieure.

PARA SU SEGURIDAD:

Lea y entienda este manual antes de usar. Guarde este manual para futura referencia.



Intertek
3084514

CONFORMS TO UL
STD. No. 1017
Certified to CSA STD.
C22.2 No.243-10

Distributed By / Distribué Par / Distribuido Por
Cleva North America
601 Regent Park Court
Greenville, SC 29607
1-866-384-8432

The Armor All word mark and logo are trademarks of The Armor All/STP Products Company and are used under license.

La marque ou le logo Armor All sont des marques de commerce de la société Armor All/STP Products Company et sont utilisés sous licence.

El logo y las palabras Armor All son marcas comerciales de The Armor All/STP Products Company y se utilizan bajo licencia.

TABLE OF CONTENTS

SECTION	Page
Warranty.....	2
Safety Instructions & Warnings.....	2
Double Insulation Instructions.....	3
Extension Cord.....	4
Unpacking & Checking Carton Contents.....	5
General Assembly Instructions.....	6
Dry Vacuum Operation.....	7
Liquid Vacuum Operation.....	8
Blower Operation.....	9
Maintenance.....	9
Installing & Cleaning Reusable Cloth Filter.....	10
Installing & Cleaning Foam Sleeve Filter.....	10
Troubleshooting.....	11
Exploded View & Parts List.....	12

Thank you for purchasing this Armor All® wet/dry vacuum cleaner. Feel confident that with our Armor All® wet/dry vac you are obtaining a high quality product engineered for optimal performance. This vacuum is capable of picking up liquids and dry materials.

FOR YOUR SAFETY CAREFULLY READ AND UNDERSTAND ALL INSTRUCTIONS

WARRANTY

We take pride in producing a high quality, durable product. This Armor All® utility vac carries a limited two (2) year warranty against defects in workmanship and materials from date of purchase under normal household use. If product is to be used for commercial, industrial, or rental use, a 90 day limited warranty will apply. Warranty does not apply to defects due to direct or indirect abuse, negligence, misuse, accidents, repairs, alterations, or lack of maintenance. Please keep your receipt as proof of purchase. This warranty gives you specific legal rights, and you may have other rights which vary from state to state. For product service call Clevea Customer Service at 1-866-384-8432.

Not Covered by Warranty

- Any part that has become inoperative due to misuse, negligence, direct/indirect abuse, accidents, improper maintenance, repairs or alterations;
- Consumables such as cartridge filters, cloth filters, dust collection bags, foam filter sleeves;
- Normal wear and tear of parts and attachments, such as hose, nozzles, or casters;
- Normal deterioration of the exterior finish due to use or exposure;
- Any product where serial number/data label is tampered with or removed;
- Any product purchased from an unauthorized retailer.

SAFETY INSTRUCTIONS & WARNINGS

IMPORTANT SAFETY INSTRUCTIONS

Read and understand all instructions before using this vacuum

Read and understand this owner's manual and all labels on the Wet/Dry Vacuum cleaner before operating. Safety is a combination of common sense, staying alert, and knowing how your vacuum works. Use this Wet/Dry Vac only as described in this manual.

SAVE THIS MANUAL FOR FUTURE REFERENCE.

When using an electrical appliance, basic precautions should always be followed including the following:

WARNING: TO REDUCE THE RISK OF FIRE, ELECTRIC SHOCK OR INJURY:

- Do not run vac unattended.
- Do not vacuum, or use this Wet/Dry Vac near flammable liquids, gases, or explosive vapors like gasoline or other fuels, lighter fluids, cleaners, oil-based paints, natural gas, hydrogen, or explosive dusts like coal dust, magnesium dust, grain dust, or gun power. Sparks inside the motor can ignite flammable vapors or dust.
- Do not vacuum anything that is burning or smoking, such as cigarettes, matches, or hot ashes.
- Keep cord away from heated surfaces.
- Do not expose to rain. Store indoors.
- Do not unplug by pulling on cord. To unplug, grasp the plug, not the cord.
- Do not use with damaged cord, plug or other parts.
- If appliance is not working as it should, has been dropped, damaged, left outdoors, or dropped into water, return it to a service center.
- Do not pull or carry by cord, use cord as handle, close a door on cord, or pull cord around sharp edges or corners.
- Do not run Wet/Dry Vac over cord.
- Do not handle plug or the Wet/Dry Vac with wet hands.
- To reduce the risk of health hazards from vapors or dusts, do not vacuum toxic materials.
- Do not use or store near hazardous materials.
- Do not use this Wet/Dry Vac with a torn filter or without the filter installed except when vacuuming liquids as described in the operation section of this manual.
- Do not allow to be used as a toy. Close attention is necessary when used by or near children.
- To reduce the risk of injury from accidental starting, unplug power cord before changing or cleaning filter.
- Do not leave Wet/Dry Vac unattended when plugged in. Unplug from outlet when not in use and before servicing.
- Turn off Wet/Dry Vac before unplugging.
- Do not put any object into ventilation openings. Do not vacuum with any ventilation openings blocked; keep free of dust, lint, hair, or anything that may reduce air flow.
- Keep hair, loose clothing, fingers, and all parts of body away from openings and moving parts.
- To reduce the risk of falls, use extra care when cleaning on stairs.

When using as blower:

- Direct air discharge only at work area.
- Do not use Wet/Dry Vac as a sprayer.
- Do not direct air at bystanders.
- Keep children away when blowing.
- Wear safety goggles.

DOUBLE INSULATION INSTRUCTIONS

This Wet/Dry Vac is double-insulated, eliminating the need for a separate grounding system. Use only identical replacement parts. Read the instructions for Servicing Double-Insulated Wet/Dry Vacs before servicing. Use this Wet/Dry Vac as described in this manual.

Observe the following warnings that appear on the motor housing of your Wet/Dry Vac.




DOUBLE INSULATED - GROUNDING NOT REQUIRED - WHEN SERVICING USE ONLY IDENTICAL REPLACEMENT PARTS.

WARNING: TO REDUCE THE RISK OF ELECTRIC SHOCK-DO NOT EXPOSE TO RAIN. STORE INDOORS.

WARNING: FOR YOUR OWN SAFETY, READ AND UNDERSTAND OPERATOR'S MANUAL. DO NOT RUN UNATTENDED. DO NOT PICK UP HOT ASHES OR COALS, OR TOXIC, FLAMMABLE, OR OTHERWISE HAZARDOUS MATERIALS. DO NOT USE AROUND EXPLOSIVE LIQUIDS OR VAPORS.

CAUTION:

- Do not vacuum drywall dust or fireplace soot or ash with standard Wet/Dry filter. This type of dust is very fine which may not be captured by the filter and cause damage to motor. When vacuuming fine dust, use a fine dust filter.

WARNING: SERVICING OF DOUBLE-INSULATED WET/DRY VACUUM WITH A DOUBLE-INSULATED WET/ DRY VACUUM, TWO SYSTEMS OF INSULATION ARE PROVIDED INSTEAD OF GROUNDING. NO GROUNDING MEANS IS PROVIDED ON A DOUBLE-INSULATED APPLIANCE, NOR SHOULD A MEANS FOR GROUNDING BE ADDED. SERVICING A DOUBLE INSULATED WET/DRY VACUUM REQUIRES EXTREME CARE AND KNOWLEDGE OF THE SYSTEM, AND SHOULD BE DONE ONLY BY QUALIFIED SERVICE PERSONNEL. REPLACEMENT PARTS FOR A DOUBLE-INSULATED WET/DRY VACUUM MUST BE IDENTICAL TO THE PARTS THEY REPLACE. YOUR DOUBLE-INSULATED WET/DRY VAC IS MARKED WITH THE WORDS 'DOUBLE INSULATED' AND THE SYMBOL  (SQUARE WITHIN A SQUARE) MAY ALSO BE MARKED ON THE APPLIANCE.

- DO NOT use without filters in place.

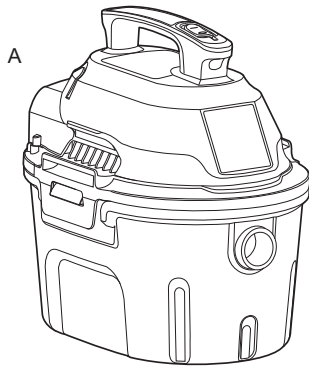
CAUTION: TO REDUCE THE RISK OF INJURY FROM MOVING PARTS, UNPLUG BEFORE SERVICING.

EXTENSION CORD

When using an extension cord with your Wet/Dry Vac refer to the following table to determine the required A.W.G. wire size. Before using the cleaner make sure the power cord and extension cord are in good working condition. Make repairs or replacements before using the vacuum cleaner. Only use extension cords that are rated for outdoor use.

110V-120V	Length of Extension Cord			
	25 Feet 7.5 Meters	50 Feet 15.25 Meters	100 Feet 30.5 Meters	150 Feet 45.7 Meters
Amps	A.W.G. Wire Size			
0-6	18	16	16	14
7-10	18	16	14	12
11-12	16	16	14	12
13-16	14	12	Not recommended	

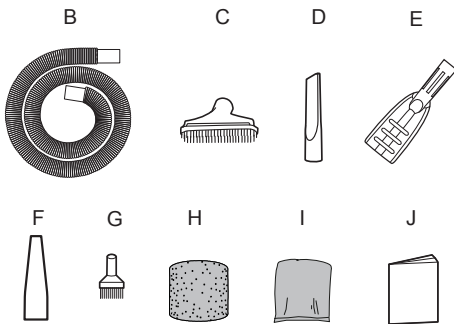
UNPACKING & CHECKING CARTON CONTENTS



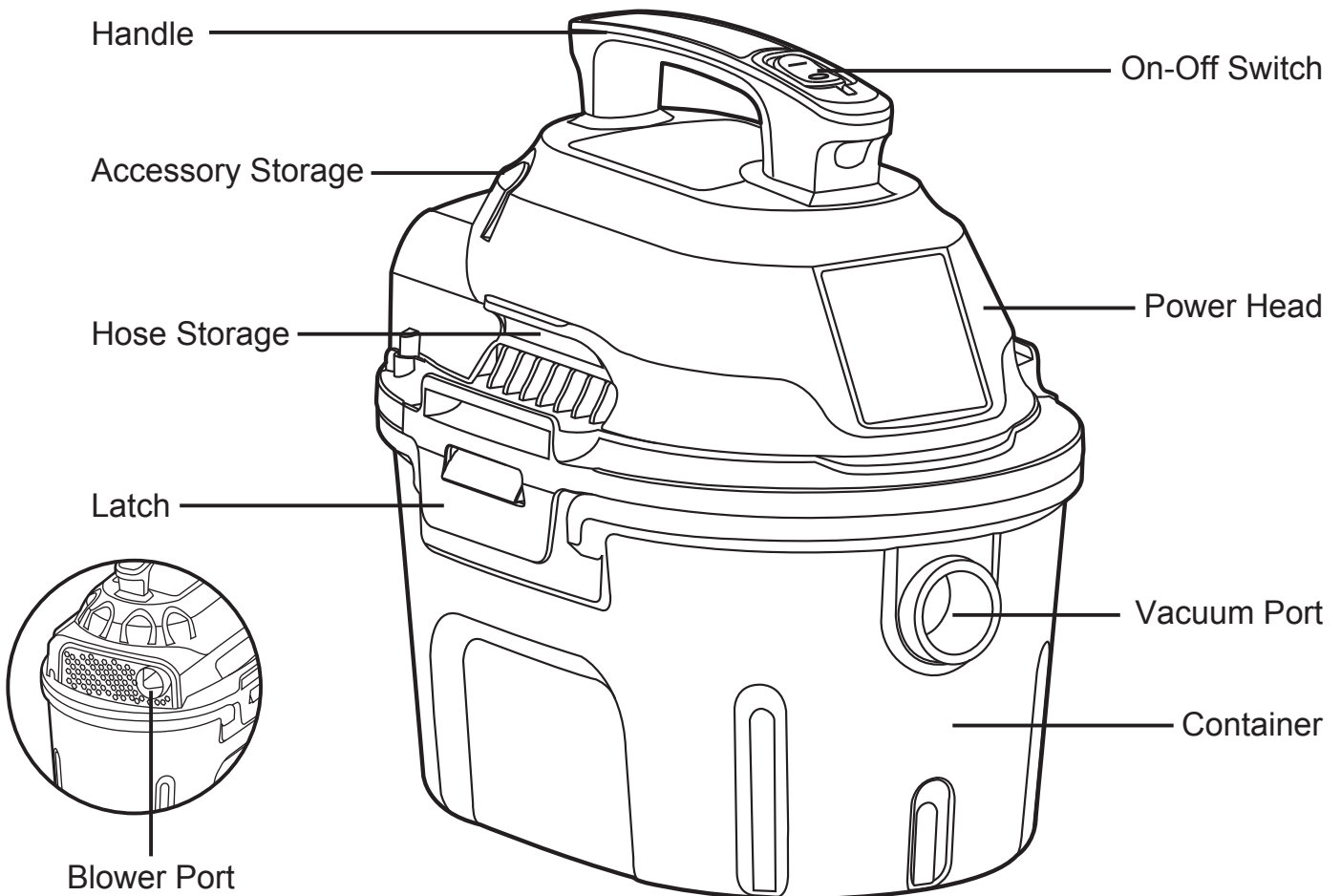
Remove all contents from the box. Remove the power head and take out any contents inside the container. Check each item against the carton contents list.

Carton Contents List

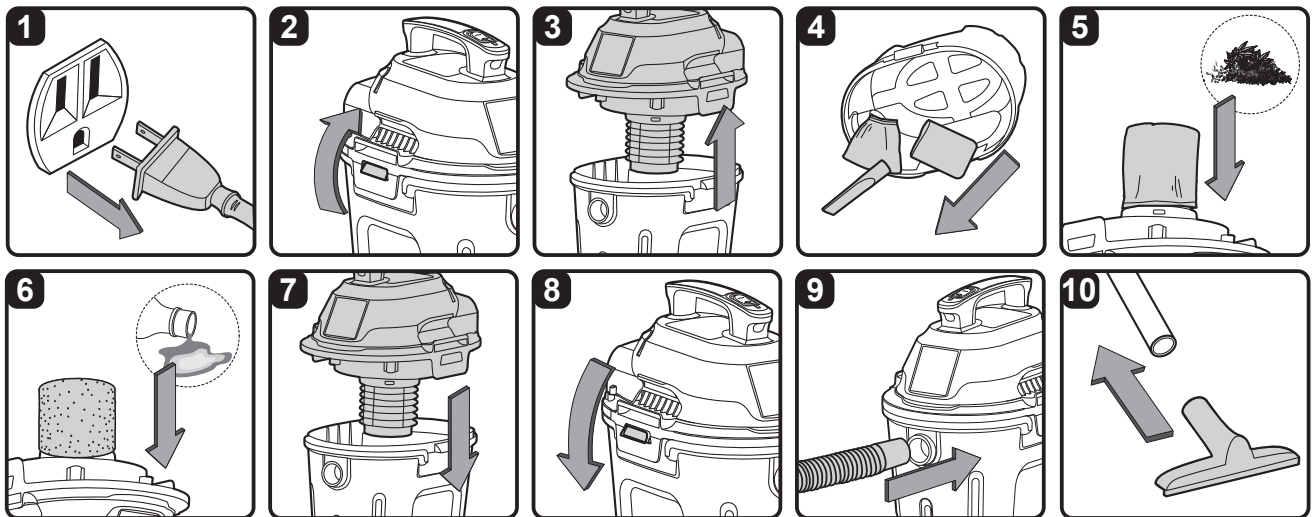
Key	Description.....	Qty
A	Vac Assembly.....	1
B	Hose.....	1
C	2-In-1 Utility Nozzle with Brush.....	1
D	Crevice Tool	1
E	Deluxe Car Nozzle.....	1
F	Blower / Adaptor Nozzle.....	1
G	Detail Brush Nozzle.....	1
H	Foam Sleeve Filter.....	1
I	Reusable Cloth Filter.....	1
J	Operator's Manual.....	1



NOTE: The hose and accessories for this vacuum are 1.25 inch (3.18 cm) diameter.



GENERAL ASSEMBLY INSTRUCTIONS



WARNING: DO NOT PLUG IN POWER CORD TO POWER OUTLET, MAKE SURE PLUG IS DISCONNECTED BEFORE ASSEMBLING THE WET/DRY VAC

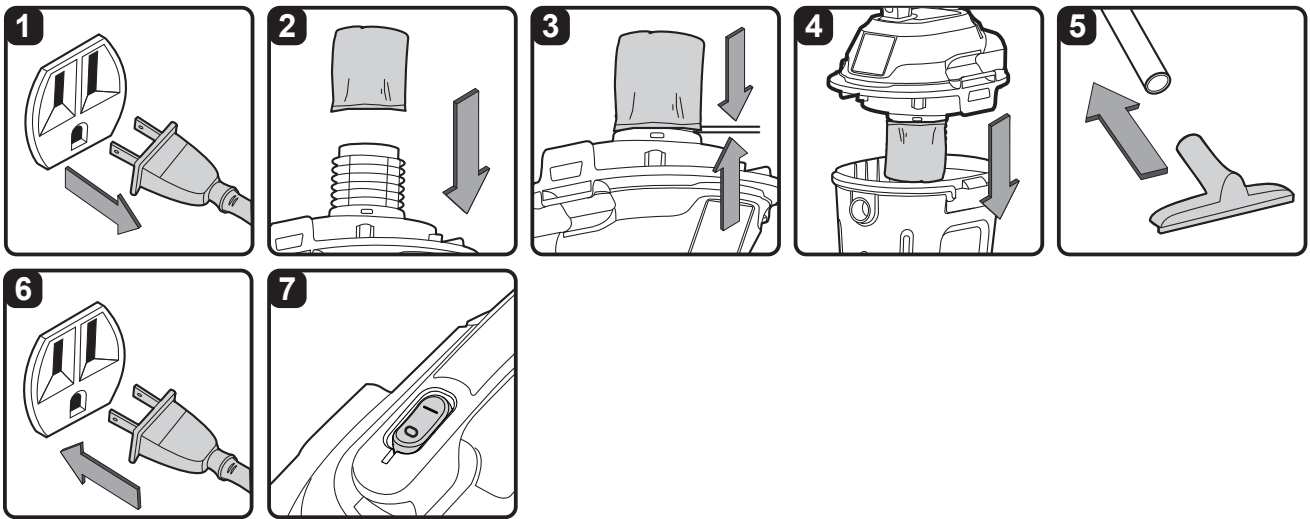
UNPACKING YOUR WET/DRY VACUUM & GENERAL ASSEMBLY

1. Verify that the power cord is disconnected from the outlet. (fig. 1)
2. Undo the latches. (fig. 2)
3. Lift the power head off the container. (fig. 3)
4. Remove the contents from inside the container. Make sure you have all contents as listed on page 5. (fig. 4)
5. For dry vacuum cleaning, install the supplied reusable cloth filter. (fig. 5) See page 10 for filter installation.
6. For wet vacuum cleaning, install the supplied foam filter. (fig. 6) See page 10 for filter installation.
7. Place the power head back on the container, aligning the top section with the latches, and snap into place. (fig. 7 & 8)
8. Insert the larger end of the hose into the desired port. (fig. 9)
9. Choose the desired accessories and insert onto the end of the hose. (fig. 10)

POLARIZED PLUG

To reduce the risk of electrical shock, this appliance has a polarized plug (with one blade wider than the other). This plug will fit in a polarized outlet only one way. If the plug does not fit fully in the outlet, reverse the plug. If it still does not fit, contact a qualified electrician to install the proper outlet. Do not change the plug in any way. Double insulation eliminates the need for the three wire grounded power cord and grounded power supply system.

DRY VACUUM OPERATION



DRY VACUUMING

WARNING: BE SURE TO READ, UNDERSTAND, AND APPLY INFORMATION, ENTITLED 'SAFETY INSTRUCTIONS & WARNINGS'. DO NOT VACUUM IN AREAS WITH FLAMMABLE GASES, VAPORS, OR EXPLOSIVE DUSTS IN THE AIR. FLAMMABLE GASES OR VAPORS INCLUDE BUT ARE NOT LIMITED TO: LIGHTER FLUID, SOLVENT TYPE CLEANERS, OIL-BASE PAINTS, GASOLINE, ALCOHOL, OR AEROSOL SPRAYS. EXPLOSIVE DUSTS INCLUDE BUT ARE NOT LIMITED TO: COAL, MAGNESIUM, GRAIN, OR GUN POWDER. TO REDUCE THE RISK OF HEALTH HAZARDS FROM VAPORS OR DUST, DO NOT VACUUM TOXIC MATERIALS.

1. Verify that the power cord is disconnected from the outlet. (fig. 1)
2. In order to prepare your vacuum for dry vacuuming, make sure the filter is completely covering the filter cage against the power head. (fig. 2 & 3) (Your Wet/Dry Vac comes with the reusable cloth filter pre-installed. See page 10 for installation instructions.)
3. Place the power head section back on the container, and secure it in place using the latches. (fig. 4)

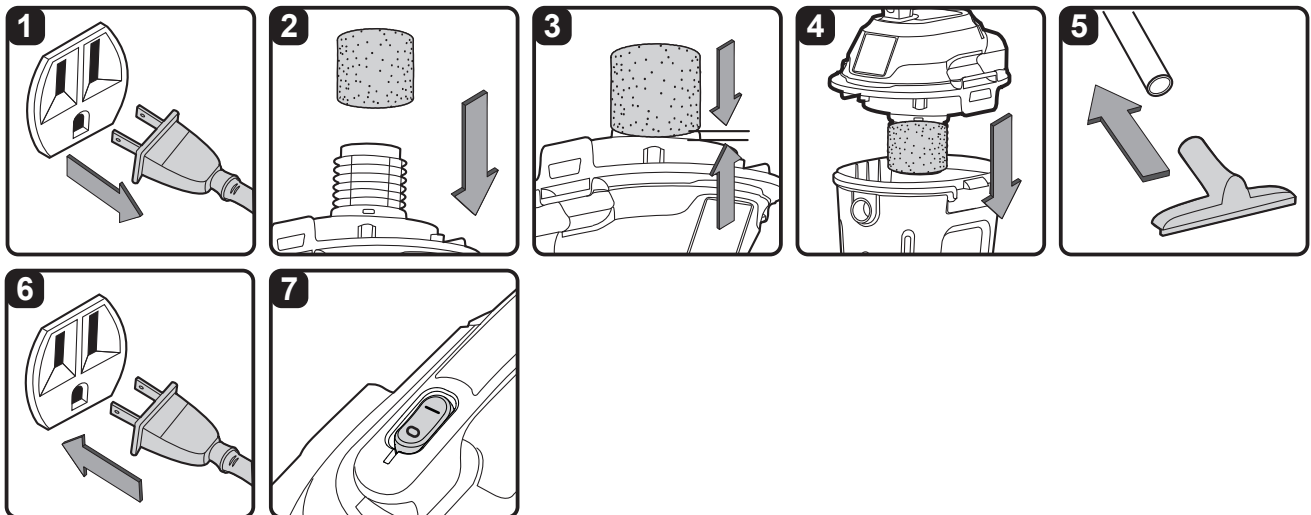
OPERATING INSTRUCTIONS: DRY VACUUMING

4. Insert the larger end of the hose into the vacuum port on the tank. Push the required attachment onto the free end of the hose or extension. (fig. 5)
5. Plug the power cord into the outlet. (fig. 6)
6. Turn the motor on by flipping the switch to the 'I' ON position and begin vacuuming. (fig. 7)
7. Once you have completed vacuuming, flip the switch to the 'O' OFF position and unplug the power cord from the outlet.

O = OFF I = ON

DO NOT USE THE REUSABLE CLOTH FILTER FOR LIQUID VACUUMING.

LIQUID VACUUM OPERATION



LIQUID VACUUMING

WARNING: BE SURE TO READ, UNDERSTAND, AND APPLY INFORMATION, ENTITLED 'SAFETY INSTRUCTIONS & WARNINGS'. DO NOT VACUUM IN AREAS WITH FLAMMABLE GASES, VAPORS, OR EXPLOSIVE DUSTS IN THE AIR. FLAMMABLE GASES OR VAPORS INCLUDE BUT ARE NOT LIMITED TO: LIGHTER FLUID, SOLVENT TYPE CLEANERS, OIL-BASE PAINTS, GASOLINE, ALCOHOL, OR AEROSOL SPRAYS. EXPLOSIVE DUSTS INCLUDE BUT ARE NOT LIMITED TO: COAL, MAGNESIUM, GRAIN, OR GUN POWDER. TO REDUCE THE RISK OF HEALTH HAZARDS FROM VAPORS OR DUST, DO NOT VACUUM TOXIC MATERIALS.

WARNING: MAKE SURE PLUG IS DISCONNECTED BEFORE CHANGING THE FILTERS

1. Verify that the power cord is disconnected from the outlet. (fig.1)
2. Remove reusable cloth filter, then carefully install the foam sleeve filter over the filter cage and place the power head back on the container. (fig. 2, 3 & 4) See filter installation instructions on page 10.

DO NOT USE THE REUSABLE CLOTH FILTER FOR LIQUID VACUUMING.

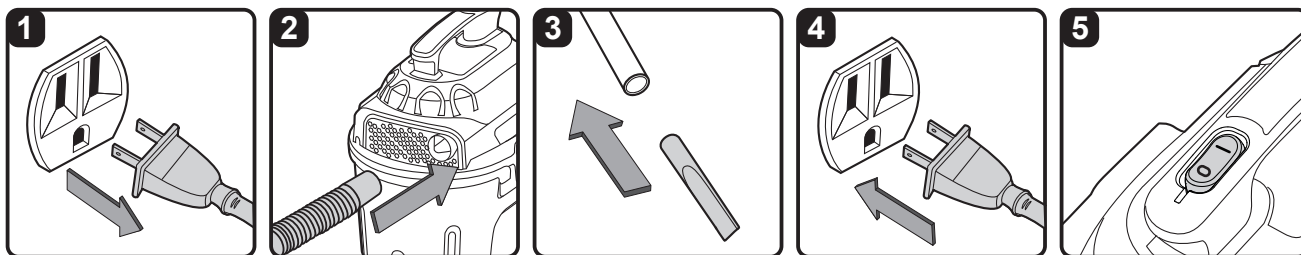
OPERATING INSTRUCTIONS – WET VACUUMING

3. Fit the desired nozzle to the vacuum hose. (fig. 5)
4. Verify that the switch is in the 'O' OFF position before plugging the power cord into the outlet. (fig. 6)
5. Turn the motor on by flipping the switch to the 'I' ON position. (fig. 7)
6. After use, empty the container. Clean and dry the inside and outside before storage.

IMPORTANT! When vacuuming large quantities of liquids, do not immerse the nozzle completely in the liquid; leave a gap at the tip of the nozzle opening to allow air inflow. The machine is fitted with a float valve that stops the suction action when the container reaches its maximum capacity. You will notice an increase in motor speed. When this happens, turn off the machine, disconnect from power supply, and drain the liquid into a suitable receptacle or drain. To continue vacuuming, refit the power head to the container. After wet vacuuming, turn the machine off and remove plug from power supply. Empty the container. Clean and dry the inside and outside before storage.

REMEMBER! The foam filter must be removed after wet vacuuming, and a reusable cloth filter must be installed before dry vacuuming again.

BLOWER OPERATION



This Wet/Dry Vac has blowing capabilities only when the hose is inserted into the blower port. To use the blower feature follow the instructions listed.

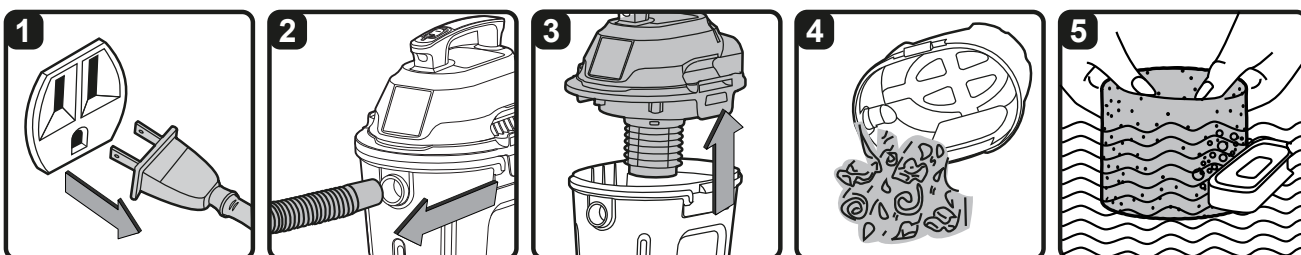
WARNING: ALWAYS WEAR SAFETY GOGGLES COMPLYING WITH ANSI Z87.1 (OR IN CANADA, CSAZ94.3) BEFORE USING BLOWER.

WARNING: KEEP BYSTANDERS CLEAR FROM BLOWING DEBRIS.

WARNING: WEAR A DUST MASK IF BLOWING CREATES DUST THAT MIGHT BE INHALED.

1. Verify that the power cord is disconnected from the outlet. (fig. 1)
2. Make sure the container is empty before using as a blower.
3. Remove hose from the vacuum port.
4. Insert the larger end of the hose into the blower port on the back side of the power head. (fig. 2)
5. Fit the desired attachment to the hose. (fig. 3)
6. Ensure the power switch is turned off and plug into the power supply. (fig. 4)
7. Before turning on the vac, firmly hold loose end of the hose. Turn the motor on by flipping the switch to the 'I' ON position. (fig. 5)

MAINTENANCE



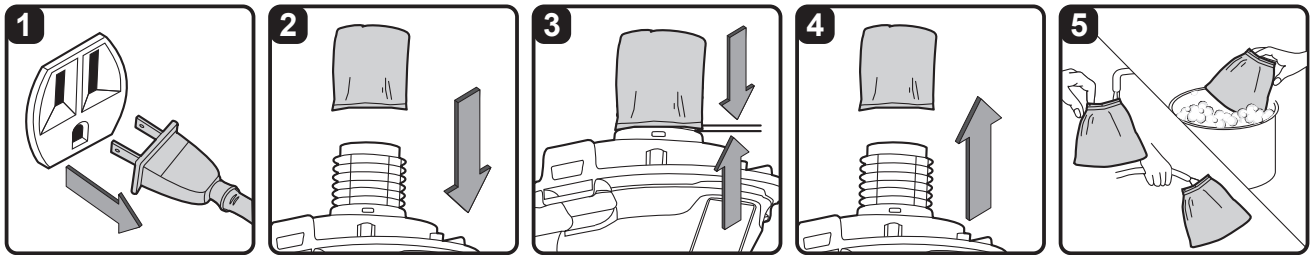
1. Verify that the power cord is disconnected from the outlet. (fig. 1)
2. Disconnect the hose from the vacuum. (fig. 2)
3. Undo the latches and remove the power head from the container. (fig. 3)
4. Clear all dirt or debris from the container and hose. (fig. 4)
5. Clean or replace the filters. (fig. 5)
6. Check the hose, attachments, and power cord to verify that they have not been damaged.

IMPORTANT! Clean or change the dust filter regularly for best performance. **ALWAYS USE DUST FILTER FOR DRY VACUUMING.** If the machine is used without the dust filter, the motor will burn out and the warranty will be voided. Always keep spare filters on hand.

NOTICE! The filter included is made of high quality material designed to stop small dust particles. The filter should be used for dry pick-up only. A dry filter is necessary to pick up dust. If the dust filter is wet, it will clog quickly and be very difficult to clean. Handle the filter carefully when removing it for cleaning and replacing it. Check the filters for tears or small holes. A small hole can let dust pass through the filter. Do not use a filter with holes or tears; replace it immediately.

WARNING: ALWAYS DISCONNECT THE PLUG FROM THE POWER OUTLET BEFORE REMOVING THE POWER HEAD FROM CONTAINER.

INSTALLING & CLEANING REUSABLE CLOTH FILTER



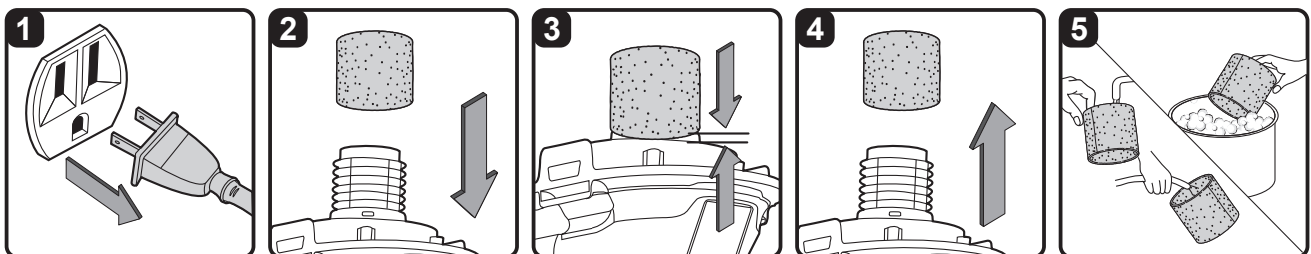
Installing Reusable Cloth Filter

1. Verify that the power cord is disconnected from the outlet. (fig. 1)
2. Remove the power head and place it in an upside-down position.
3. Slide reusable cloth filter down over the filter cage making sure the whole cage is covered. (fig. 2 & 3)
4. Replace the power head on to the container.

Removing and Cleaning Reusable Cloth Filter

1. Remove the power head and place it in an upside-down position.
2. Carefully remove the reusable cloth filter from the filter cage. (fig. 4) Clean the filter by gently tapping or brushing dirt off. Cleaning should not be done indoors in living areas.
3. Use a mild soap and water solution to wash reusable cloth filter and rinse with clean water. (fig. 5)
4. Allow the wet filter to air dry for 24 hours before installing onto the filter cage.

INSTALLING & CLEANING FOAM SLEEVE FILTER



Installing Foam Sleeve Filter

1. Verify that the power cord is disconnected from the outlet. (fig. 1)
2. Remove power head and place in upside down position. Follow instructions to remove cloth filter.
3. Carefully slide foam sleeve filter down over the filter cage, making sure the whole cage is covered. (fig. 2 & 3)
4. Replace the power head on to the container.

Cleaning Foam Sleeve Filter

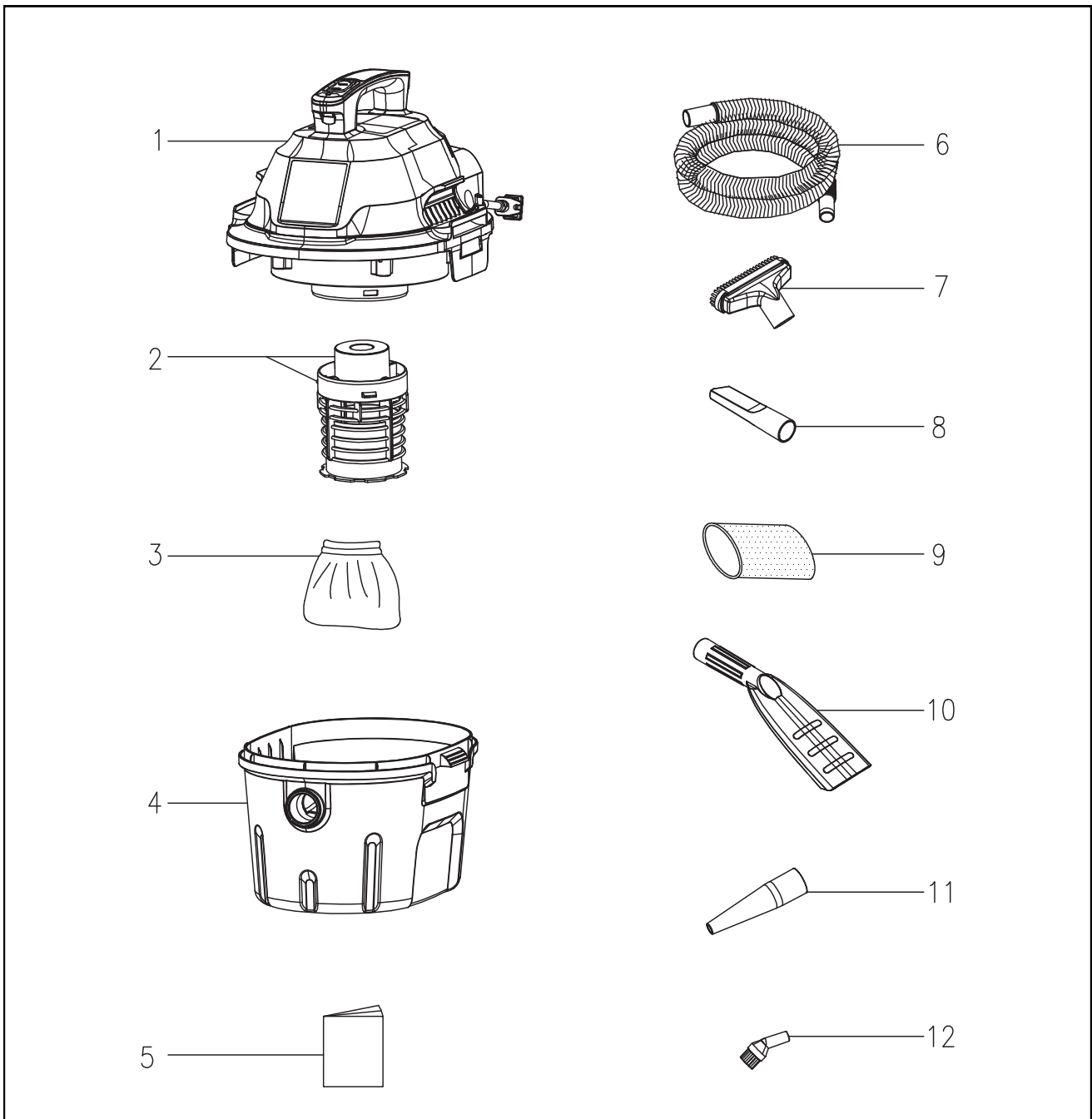
1. With the removed power head in the upside down position, carefully remove foam sleeve filter. (fig. 4)
2. Use a mild soap and water solution to wash foam sleeve filter and rinse with clean water. (fig. 5)
3. Allow filter to air dry before installing and using again.

TROUBLESHOOTING

WARNING: TO REDUCE THE RISK OF ELECTRIC SHOCK, UNPLUG BEFORE TROUBLESHOOTING

Symptom	Possible Causes	Corrective Action
Vacuum will not operate.	1) No power supply.	1) Check power supply – cord, breakers, fuses.
	2) Faulty power cord.	2) Unplug and check the power cord. If damaged, have it repaired by a professional.
	3) Container full.	3) Empty container.
Dust comes from motor cover.	1) The reusable cloth filter is missing or damaged.	1) Attach or replace the reusable cloth filter.
Reduced efficiency and motor/speed vibration.	1) There is a blockage in the nozzle, hose, or the vacuum inlets. Or the dust filter is blocked by fine dust.	1) Check nozzle, hose and inlets for blockage. Take off the filter and clean it. Or install new filter.

EXPLODED VIEW & PARTS LIST



AA255 Parts List

Part	Drawing	Description	Quantity
1	551091110	Power Head Assembly	1
2	551091122	Float & Filter Cage	1
3	VRC2	Reusable Cloth Filter	1
4	551091103	Container	1
5		Operator's Manual	1
6	V1H6F	Hose	1
7	V1UB	2-in-1 Utility Nozzle With Brush	1
8	V1CT	Crevice Tool	1
9	VFF21	Foam Sleeve Filter	1
10	551091125	Deluxe Car Nozzle	1
11	551092108	Blower / Adaptor Nozzle	1
12	551024139	Detail Brush Nozzle	1

TABLE DES MATIÈRES

SECTION	Page
Garantie.....	13
Instructions de sécurité et avertissements.....	13
Instructions relatives à la double isolation.....	14
Cordons prolongateurs.....	15
Déballage et vérification du contenu de la boîte d'emballage.....	16
Instructions générales d'assemblage.....	17
Aspiration de débris secs.....	18
Aspiration de liquides.....	19
Fonction de souffleuse.....	20
Entretien.....	20
Installation et nettoyage du filtre à tissu réutilisable.....	21
Installation et nettoyage du filtre à manchon en mousse.....	22
Dépannage.....	22
Schéma éclaté et liste des pièces.....	23

Nous vous remercions d'avoir acheté cet aspirateur de débris secs et de liquides Armor All^{TM/MC}. Soyez assuré que ce produit de haute qualité vous procurera un rendement optimal. Cet appareil est conçu pour aspirer les liquides et les débris secs.

POUR PLUS DE SÉCURITÉ : LIRE ATTENTIVEMENT ET VEILLER À BIEN COMPRENDRE TOUTES LES INSTRUCTIONS

GARANTIE

Armor All^{TM/MC} est fier de fabriquer des produits durables de qualité supérieure. Ce produit Armor All^{TM/MC} est accompagné d'une garantie limitée de deux (2) ans à compter de la date d'achat contre tout vice de fabrication ou de matériel pour un usage domestique normal. Si le produit est utilisé à des fins commerciales, industrielles ou de location, la garantie s'appliquera pour une période limitée de 90 jours. Cette garantie ne couvre pas les défauts de fonctionnement liés directement ou indirectement à une utilisation abusive, à de la négligence, à des accidents, à des réparations, à des modifications ou à une carence d'entretien. Veuillez conserver le reçu comme preuve d'achat. La présente garantie donne au consommateur des droits spécifiques, et celui-ci peut bénéficier d'autres droits, qui varient selon les états ou les provinces. Pour assurer l'entretien du produit, veuillez communiquer avec le service à la clientèle de Cleva en composant le 1-866-384-8432.

Éléments non couverts par la garantie

- Toute pièce devenue inopérante suite à une mauvaise utilisation, une négligence, une utilisation abusive directe ou indirecte, des accidents, un entretien, une réparation et/ou une modification incorrects;
- les consommables tels que des filtres cartouches, des filtres en tissu, des sacs de récupération de poussières, des manchons de filtres en mousse;
- l'usure normale des pièces et accessoires, notamment le tuyau, les embouts ou les roulettes;
- détérioration normale du revêtement extérieur du fait de l'utilisation ou de l'exposition aux intempéries;
- tout produit dont le numéro de série/l'étiquette de données a été altéré ou retiré;
- tout produit acheté auprès d'un revendeur non agréé.

INSTRUCTIONS DE SÉCURITÉ ET AVERTISSEMENTS

RÈGLES IMPORTANTES DE SÉCURITÉ

Lire attentivement et comprendre toutes les instructions avant d'utiliser cet appareil

Lire attentivement et comprendre ce manuel d'utilisation ainsi que tous les autocollants apposés sur l'aspirateur de débris secs et de liquides avant de l'utiliser. Le bon jugement, l'attention et une bonne connaissance du fonctionnement de l'appareil sont des gages de sécurité. Utiliser uniquement l'aspirateur tel que décrit dans le présent manuel.

Pour usage domestique

CONSERVER CE MANUEL POUR RÉFÉRENCE ULTÉRIEURE.

L'utilisation d'un appareil électrique demande certaines précautions:

AVERTISSEMENT: AFIN DE MINIMISER LE RISQUE D'INCENDIE, DE DÉCHARGE ÉLECTRIQUE OU DE BLESSURE:

- Ne pas laisser l'appareil en marche sans surveillance.
- Ne pas utiliser l'appareil en présence de liquide ou de gaz inflammables, de vapeurs explosives comme de l'essence ou d'autres carburants, de l'essence à briquet, des produits détergents, de la peinture à l'huile, du gaz naturel, de l'hydrogène ou de poussière explosive comme la poussière de charbon, de magnésium ou de grain ou de la poudre noire. Le moteur de l'appareil peut produire des étincelles et ainsi enflammer des vapeurs ou des poussières inflammables.
- Ne pas aspirer d'éléments qui brûlent ou qui fument comme des cigarettes, des allumettes ou des cendres chaudes.
- Tenir le cordon d'alimentation éloigné des surfaces brûlantes.
- Ne pas exposer l'appareil à la pluie. Entreposer à l'intérieur.
- Ne pas débrancher l'appareil en tirant sur le cordon. Tirer plutôt sur la fiche.
- Ne pas utiliser l'appareil si le cordon, la fiche ou toute autre pièce est endommagé.
- Retourner l'appareil à un atelier de réparation s'il ne fonctionne pas bien, s'il est tombé ou s'il a été endommagé, oublié à l'extérieur ou immergé.
- Ne pas tirer l'appareil ou le transporter par le cordon d'alimentation, ne pas utiliser ce dernier comme poignée ou le faire longer des arêtes tranchantes ou des coins.
- Ne pas faire rouler l'appareil par-dessus le cordon.
- Ne pas manipuler l'aspirateur avec les mains mouillées.
- Pour réduire les risques pour la santé attribuables aux vapeurs ou à la poussière, ne pas aspirer de substances toxiques.
- Ne pas utiliser ou entreposer l'appareil près de matières dangereuses.
- Ne pas utiliser l'appareil si le filtre est déchiré ou sans le filtre, sauf si l'appareil est utilisé afin d'aspirer des fluides.
- S'assurer que l'appareil n'est pas utilisé comme un jouet. Il importe d'être vigilant si l'appareil est utilisé à proximité des enfants ou par ceux-ci.
- Afin de minimiser les risques associés à un démarrage accidentel, s'assurer de débrancher le cordon d'alimentation avant de procéder au changement ou au nettoyage du filtre.
- Ne jamais laisser l'appareil sans surveillance lorsque celui-ci est branché. Débrancher l'appareil lorsque celui-ci n'est pas utilisé et avant de procéder à son entretien.
- Mettre l'appareil à l'arrêt avant de le débrancher.
- Ne rien introduire dans les ouvertures. Ne pas utiliser l'appareil si une ou plusieurs ouvertures sont bloquées. S'assurer que les ouvertures ne sont pas obstruées par de la poussière, des peluches, des cheveux ou tout autre élément pouvant réduire la circulation d'air.
- Garder les cheveux, les vêtements amples, les doigts ainsi que toutes les parties du corps à l'écart des ouvertures et des pièces en mouvement.
- Utiliser l'appareil avec beaucoup de précaution au moment de nettoyer des escaliers afin de minimiser les risques de chutes.

Utilisation de la fonction de souffeuse:

- Diriger l'air évacué uniquement en direction de l'aire de travail.
- Ne pas utiliser l'appareil en tant que pulvérisateur.
- Ne pas diriger l'air évacué vers les personnes pouvant se tenir à proximité.
- Tenir les enfants éloignés lorsque la fonction de souffeuse de cet appareil est utilisée.
- Porter des lunettes de sécurité.

INSTRUCTIONS RELATIVES À LA DOUBLE ISOLATION

Cet aspirateur d'atelier à double isolation ne requiert pas de système de mise à la terre distinct. Utiliser exclusivement des pièces identiques à celles d'origine. Lire les instructions relatives à l'entretien de l'aspirateur d'atelier à double isolation avant de procéder à l'entretien. Utiliser l'outil tel que décrit dans le présent manuel.

Examiner les avertissements suivants qui figurent sur le carter du moteur de l'aspirateur.


 **DOUBLE ISOLATION – MISE À LA TERRE NON REQUISE – UTILISER EXCLUSIVEMENT DES PIÈCES IDENTIQUES À CELLES D'ORIGINE POUR LES RÉPARATIONS.**

AVERTISSEMENT : POUR RÉDUIRE LE RISQUE DE DÉCHARGE ÉLECTRIQUE, NE PAS EXPOSER À LA PLUIE. ENTREPOSER À L'INTÉRIEUR.

AVERTISSEMENT : POUR PLUS DE SÉCURITÉ, LIRE ET COMPRENDRE LE MANUEL D'UTILISATION. NE PAS LAISSER L'OUTIL SANS SURVEILLANCE QUAND IL EST ALLUMÉ. NE PAS ASPIRER DE CENDRES CHAUDES, DE CHARBON, DE SUBSTANCES TOXIQUES, DE MATIÈRES INFLAMMABLES OU D'AUTRES MATIÈRES DANGEREUSES. NE PAS UTILISER CET APPAREIL À PROXIMITÉ DE VAPEURS OU DE LIQUIDES EXPLOSIFS.

ATTENTION:

- Ne pas aspirer de la poussière de cloison sèche, de la suie ou des cendres provenant du foyer avec un filtre standard d'atelier. Ce type de poussière très fine ne peut être capturé par le filtre et risque d'endommager le moteur. Pour aspirer de fines particules de poussière, utiliser un filtre à poussière fine.

AVERTISSEMENT : ENTRETIEN DE L'ASPIRATEUR D'ATELIER À DOUBLE ISOLATION
L'ASPIRATEUR D'ATELIER À DOUBLE ISOLATION COMPREND DEUX SYSTÈMES D'ISOLATION AU LIEU D'UN SYSTÈME DE MISE À LA TERRE. AUCUN APPAREIL À DOUBLE ISOLATION NE COMPREND ET NE REQUIERT DE DISPOSITIF DE MISE À LA TERRE. LA RÉPARATION DE CE PRODUIT EXIGE DES PRÉCAUTIONS EXTRÊMES ET UNE BONNE CONNAISSANCE DU SYSTÈME; C'EST POURQUOI ELLE DOIT ÊTRE CONFIEE À UN TECHNICIEN QUALIFIÉ. UTILISER EXCLUSIVEMENT DES PIÈCES DE REMPLACEMENT IDENTIQUES À CELLES D'ORIGINE. LES MOTS  « DOUBLE ISOLATION » SONT INDICUÉS SUR L'ASPIRATEUR D'ATELIER À DOUBLE ISOLATION; L'OUTIL PEUT ÉGALEMENT COMPRENDRE LE SYMBOLE SUIVANT.

- **NE PAS** utiliser l'outil sans avoir installé le filtre au préalable.

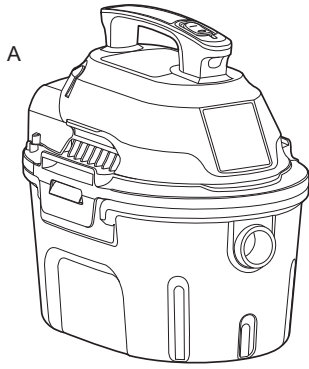
ATTENTION: POUR RÉDUIRE LES RISQUES DE BLESSURES ATTRIBUABLES AUX PIÈCES EN MOUVEMENT, DÉBRANCHER L'OUTIL AVANT DE PROCÉDER À SON ENTRETIEN.

CORDONS PROLONGATEURS

Au moment d'utiliser un cordon prolongateur avec l'aspirateur d'atelier, consulter le tableau suivant afin de déterminer le calibre (A.W.G.) requis. Avant d'utiliser l'outil, s'assurer que les cordons prolongateur et d'alimentation sont en bon état. Les réparer ou les remplacer au besoin avant d'utiliser le produit. Utiliser seulement des cordons prolongateurs qui sont conçus pour être utilisés à l'extérieur.

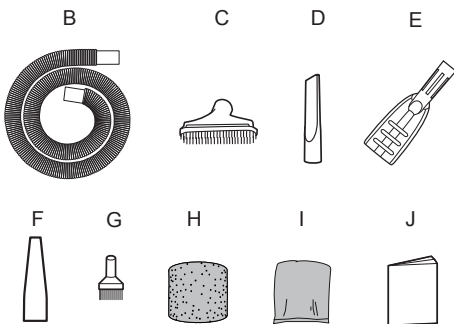
	Longueur du cordon prolongateur			
110V-120V	7,5 m (25 pi)	15,25 m (50 pi)	30,5 m (100 pi)	45,7 m (150 pi)
Ampérage	Calibre A.W.G.			
0-6	18	16	16	14
7-10	18	16	14	12
11-12	16	16	14	12
13-16	14	12	Déconseillé	

DÉBALLAGE ET VÉRIFICATION DU CONTENU DE LA BOÎTE D' EMBALLAGE



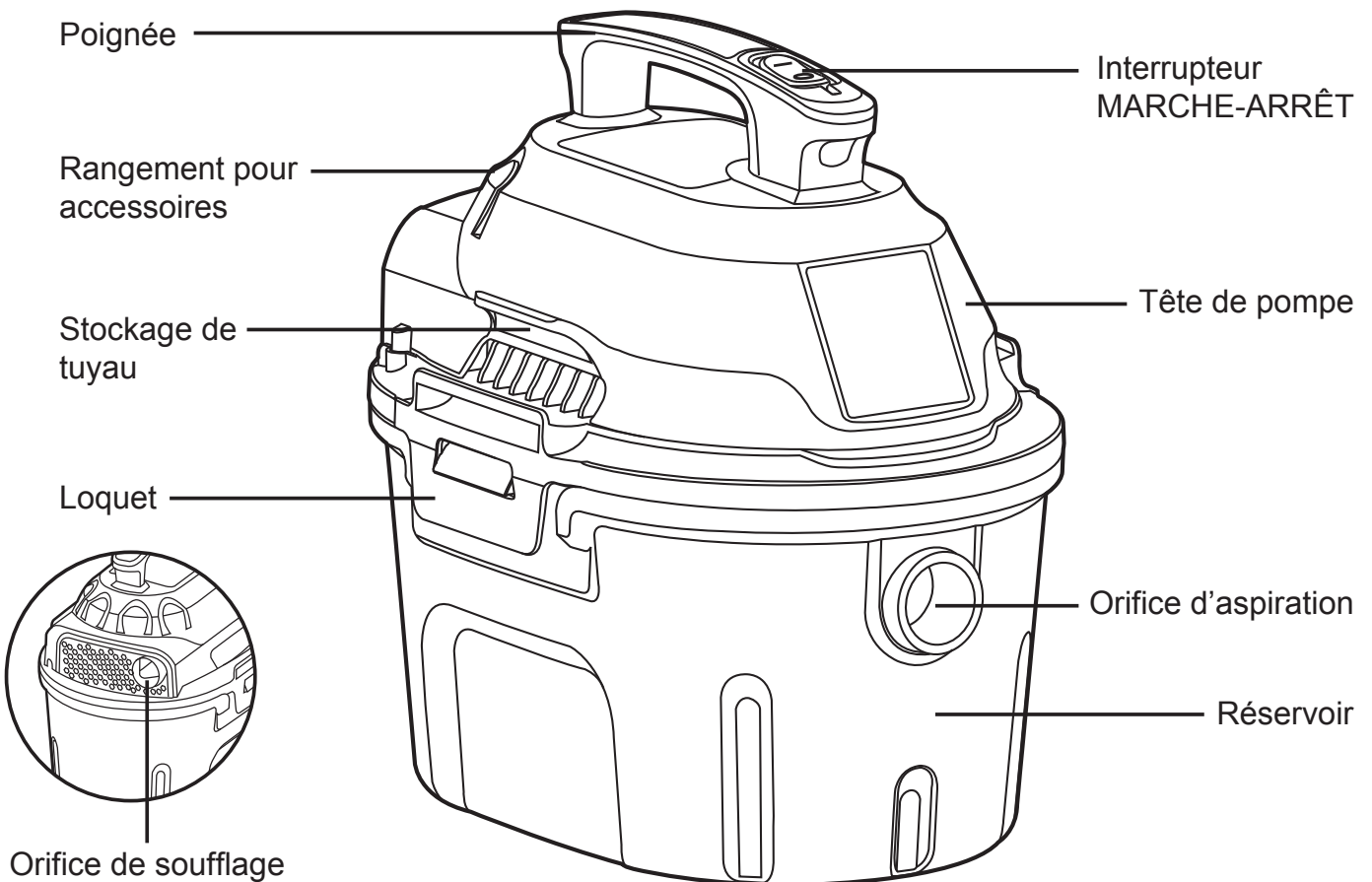
Retirer tout le contenu du carton d'emballage.
Vérifier chacune des pièces figurant dans la liste ci-dessous.

Liste des pièces

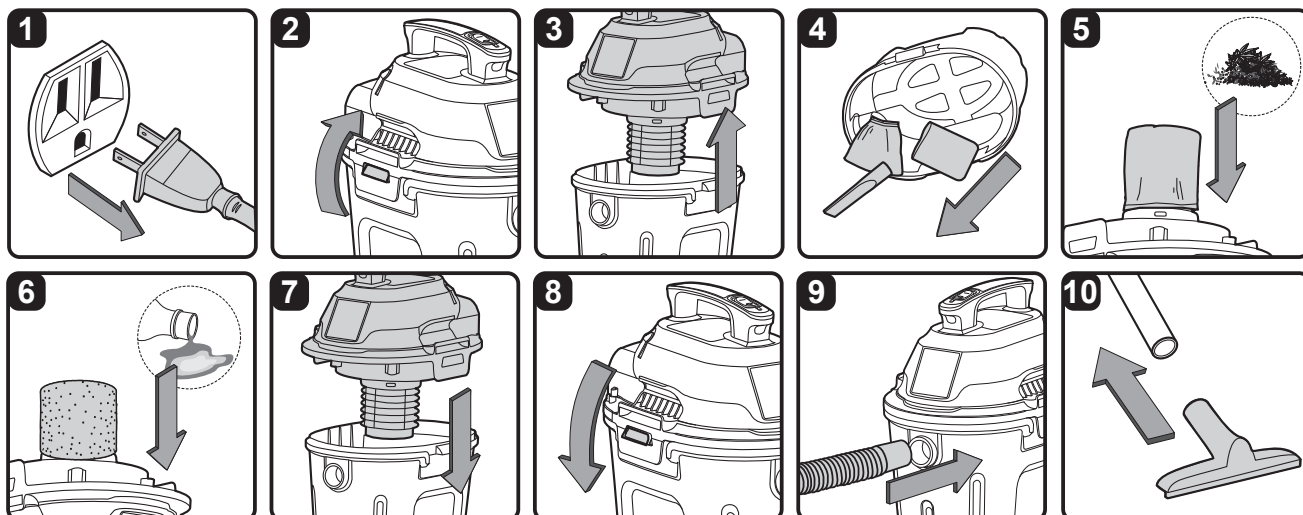


Pièce	Description.....	QTÉ
A	Ensemble d'aspirateur.....	1
B	Tuyau.....	1
C	Buse utilitaire 2 en 1 avec brosse.....	1
D	Suceur plat.....	1
E	Buse de luxe pour la voiture.....	1
F	Embout de souffeuse.....	1
G	Petite brosse.....	1
H	Filtre à manchon en mousse.....	1
I	Filtre à tissu réutilisable.....	1
J	Manuel d'utilisation.....	1

NOTE: Le diamètre du tuyau et des accessoires de l'aspirateur esure 3,18 cm (1,25 po).



INSTRUCTIONS GÉNÉRALES D'ASSEMBLAGE




AVERTISSEMENT : NE PAS BRANCHER LE CORDON D'ALIMENTATION DANS LA PRISE DE COURANT ET S'ASSURER QUE LA FICHE EST DÉBRANCHÉE AVANT DE PROCÉDER À L'ASSEMBLAGE DE L'ASPIRATEUR D'ATELIER

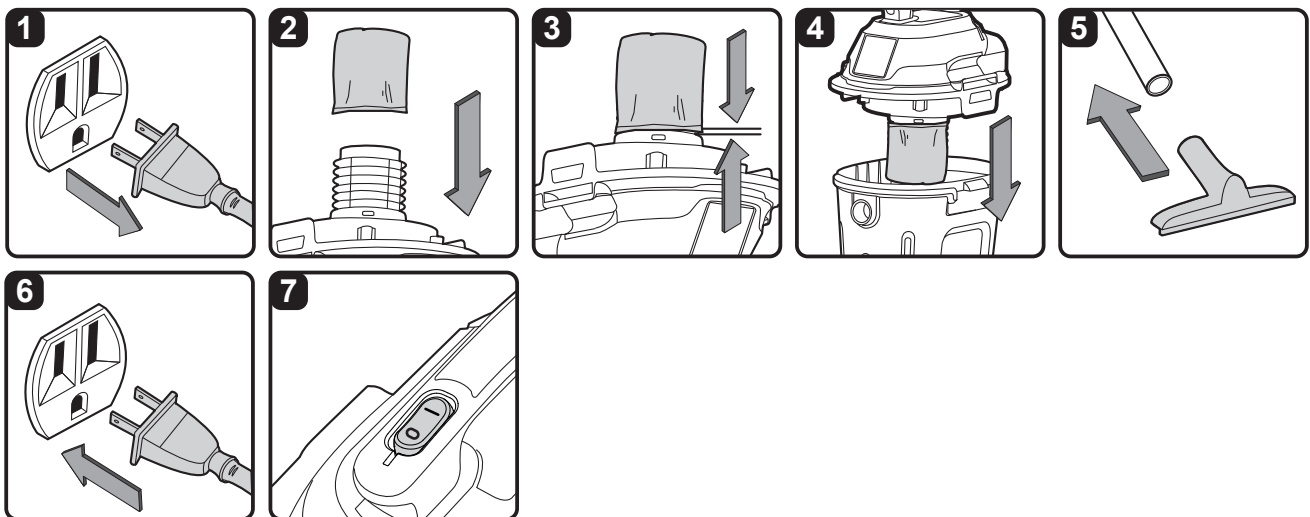
DÉBALLAGE DE L'ASPIRATEUR D'ATELIER AINSI QUE DES COMPOSANTS GÉNÉRAUX

1. Vérifier que le cordon d'alimentation est débranché de la prise de courant (figure 1).
2. Soulever les loquets (figure 2).
3. Soulever la tête de pompe du réservoir (figure 3).
4. Retirer les pièces se trouvant dans le réservoir, en s'assurant qu'il ne manque aucune des pièces énumérées à la page 16 (figure 4).
5. Pour aspirer des débris secs, installer le filtre en tissu réutilisable fourni (figure 5). Consulter la page 21 afin de prendre connaissance des instructions d'installation du filtre.
6. Pour aspirer des liquides, installer le filtre en mousse fourni (figure 6). Consulter la page 22 afin de prendre connaissance des instructions d'installation du filtre.
7. Remettre la tête de pompe sur le réservoir, aligner la partie supérieure avec les loquets et les enclencher en place (figures 7 et 8).
8. Insérer l'extrémité la plus large du tuyau dans l'orifice désiré (figure 9).
9. Choisir l'accessoire désiré et l'insérer sur la rallonge ou l'extrémité du tuyau (figure 10).

PRISE POLARISÉE

Pour réduire le risque de décharge électrique, cet appareil est muni d'une fiche polarisée (une lame est plus large que l'autre). La fiche peut être branchée à une prise polarisée d'une seule façon. Si la fiche ne peut pas être branchée complètement dans la prise murale, renverser la fiche. Si la fiche ne peut toujours pas être branchée, communiquer avec un électricien qualifié pour installer une prise adéquate. Ne changer la fiche en aucune façon. Grâce au concept de double isolation , il n'est pas nécessaire d'utiliser un cordon d'alimentation à trois fiches et un système d'alimentation électrique mis à la terre.

ASPIRATION DE DÉTRITUS SECS



ASPIRATION DE DÉTRITUS SECS

AVERTISSEMENT : LIRE, COMPRENDRE ET METTRE EN APPLICATION LES RENSEIGNEMENTS PRÉSENTÉS À LA SECTION INTITULÉE « INSTRUCTIONS DE SÉCURITÉ ET AVERTISSEMENTS ». NE PAS UTILISER L'ASPIRATEUR EN PRÉSENCE DE GAZ OU DE VAPEURS INFLAMMABLES, OU DE POUSSIÈRES EXPLOSIVES. LES GAZ OU LES VAPEURS INFLAMMABLES INCLUENT, SANS TOUTEFOIS S'Y LIMITER, L'ESSENCE POUR BRIQUETS, LES NETTOYANTS À SOLVANT, LA PEINTURE À L'HUILE, L'ESSENCE, DE L'ALCOOL ET DES AÉROSOLS. LES POUSSIÈRES EXPLOSIVES INCLUENT, SANS TOUTEFOIS S'Y LIMITER, LE CHARBON, LE MAGNÉSIUM, LE GRAIN OU LA POUDRE NOIRE. POUR RÉDUIRE LES RISQUES POUR LA SANTÉ ATTRIBUABLES AUX VAPEURS OU AUX POUSSIÈRES, NE PAS ASPIRER DE MATIÈRES TOXIQUES.

1. Vérifier que le cordon d'alimentation est débranché de la prise de courant (figure 1).
2. Avant d'utiliser l'aspirateur pour aspirer des débris secs, s'assurer que le filtre recouvre complètement la cage du filtre qui est appuyée contre la tête de pompe (figures 2 et 3) (un filtre en tissu réutilisable est déjà installé dans l'aspirateur; si ce n'est pas le cas, voir les instructions d'installation à la page 21).
3. Remettre la tête de pompe sur le réservoir et la fixer en place à l'aide des loquets (figure 4).

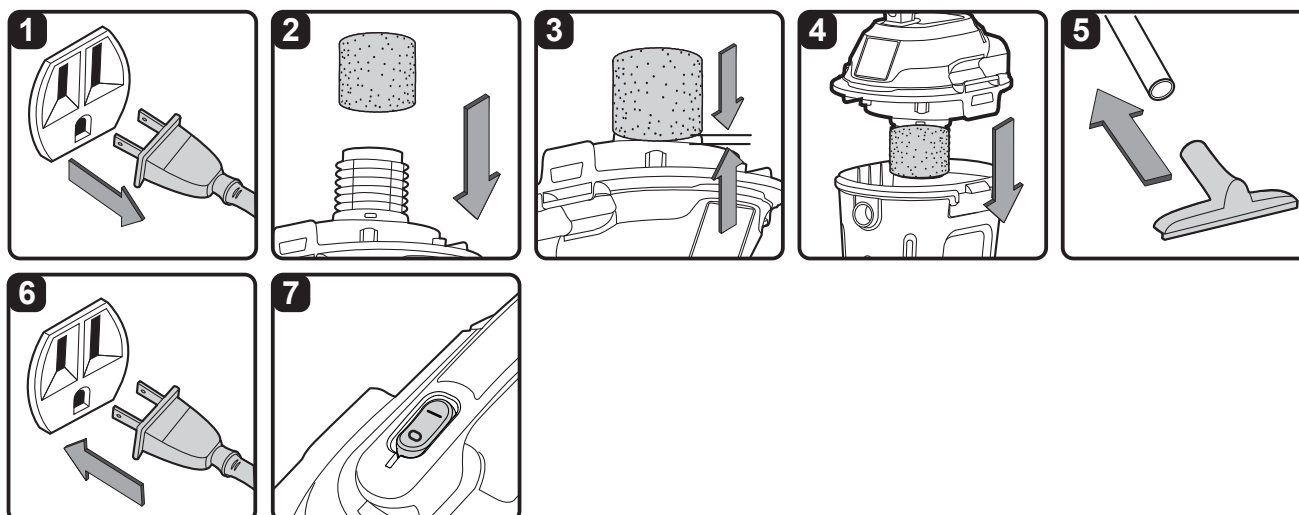
INSTRUCTIONS D'UTILISATION : ASPIRATION DE DÉTRITUS SECS

4. Insérer l'extrémité large du tuyau dans l'orifice d'aspiration de la tête de pompe. Installer l'accessoire désiré sur l'extrémité disponible du tuyau ou de la rallonge en exerçant une pression sur l'accessoire (figure 5).
5. Brancher le cordon d'alimentation dans la prise de courant (figure 6).
6. Mettre le moteur en marche en positionnant l'interrupteur à « I » (MARCHE) et commencer à aspirer (figure 7).
7. Une fois l'aspiration terminée, positionner l'interrupteur à « O » (ARRÊT) et débrancher le cordon d'alimentation de la prise de courant.

O = OFF (ARRÊT) I = ON (MARCHE)

NE PAS UTILISER LE FILTRE EN TISSU RÉUTILISABLE POUR ASPIRER DES LIQUIDES.

ASPIRATION DE LIQUIDES



ASPIRATION DE LIQUIDES

AVERTISSEMENT : LIRE, COMPRENDRE ET METTRE EN APPLICATION LES RENSEIGNEMENTS PRÉSENTÉS À LA SECTION INTITULÉE « INSTRUCTIONS DE SÉCURITÉ ET AVERTISSEMENTS ». NE PAS UTILISER L'ASPIRATEUR EN PRÉSENCE DE GAZ OU DE VAPEURS INFLAMMABLES, OU DE POUSSIÈRES EXPLOSIVES. LES GAZ OU LES VAPEURS INFLAMMABLES INCLUENT, SANS TOUTEFOIS S'Y LIMITER, L'ESSENCE POUR BRIQUETS, LES NETTOYANTS À SOLVANT, LA PEINTURE À L'HUILE, L'ESSENCE, DE L'ALCOOL ET DES AÉROSOLS. LES POUSSIÈRES EXPLOSIVES INCLUENT, SANS TOUTEFOIS S'Y LIMITER, LE CHARBON, LE MAGNÉSIUM, LE GRAIN OU LA POUDRE NOIRE. POUR RÉDUIRE LES RISQUES POUR LA SANTÉ ATTRIBUABLES AUX VAPEURS OU AUX POUSSIÈRES, NE PAS ASPIRER DE MATIÈRES TOXIQUES.

AVERTISSEMENT : S'ASSURER QUE LA FICHE EST DÉBRANCHÉE AVANT DE CHANGER LES FILTRES.

1. Vérifier que le cordon d'alimentation est débranché de la prise de courant (figure 1).
2. Retirer le filtre en tissu réutilisable, installer soigneusement le filtre à manchon en mousse sur la cage du filtre et replacer la tête de pompe sur le réservoir (figures 2, 3 et 4). Consulter les instructions relatives à l'installation du filtre décrites à la page 22.

NE PAS UTILISER LE FILTRE EN TISSU RÉUTILISABLE POUR ASPIRER DES LIQUIDES.

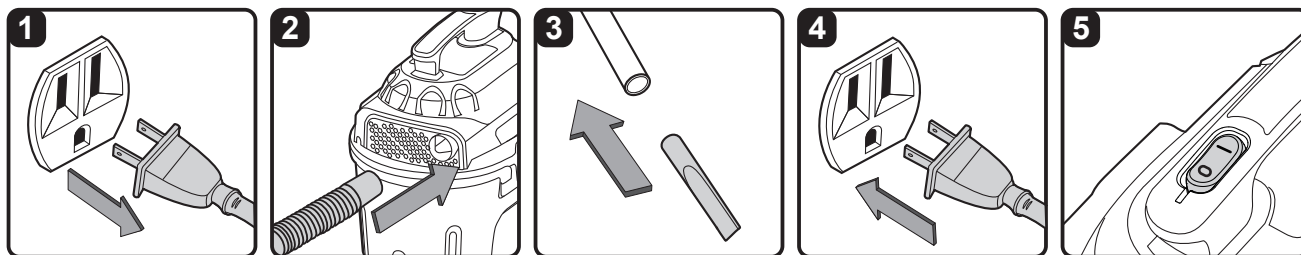
INSTRUCTIONS D'UTILISATION – ASPIRATION DE LIQUIDES

3. Ajuster la buse désirée sur le tuyau de l'aspirateur (figure 5).
4. Vérifier que l'interrupteur est positionné à « O » (ARRÊT) avant de brancher le cordon d'alimentation dans la prise de courant (figure 6).
5. Mettre le moteur en marche en positionnant l'interrupteur à « I » (MARCHE) (figure 7).
6. Après utilisation, vider le réservoir, le nettoyer et le laisser sécher, tant à l'intérieur qu'à l'extérieur, avant de l'entreposer.

IMPORTANT! Au moment d'aspirer une grande quantité de liquide, ne pas immerger complètement la buse dans le liquide. Laisser un espace à l'extrémité de l'ouverture de la buse pour permettre la circulation de l'air. L'appareil comprend un régulateur à flotteur qui permet d'arrêter la succion si le réservoir est rempli à pleine capacité. Il y aura dans ce cas augmentation de la vitesse du moteur. Si cela se produit, éteindre l'appareil, le débrancher de l'alimentation et vider le liquide dans un récipient ou un drain adéquat. Pour reprendre le travail, réajuster la tête de pompe sur le réservoir. Une fois le liquide aspiré, mettre l'appareil à l'arrêt et débrancher la fiche de l'alimentation. Vider le réservoir, le nettoyer et le laisser sécher, tant à l'intérieur qu'à l'extérieur, avant de l'entreposer.

RAPPEL! Il importe de retirer le filtre en mousse après avoir aspiré des liquides et d'installer un filtre en tissu réutilisable avant d'aspirer des débris secs.

FONCTION DE SOUFFLEUSE



Cet aspirateur se transforme en souffleur mais ceci nécessite que le tube soit inséré dans la sortie d'évacuation de l'air. Suivez les instructions détaillées avant d'utiliser la fonction soufflerie.

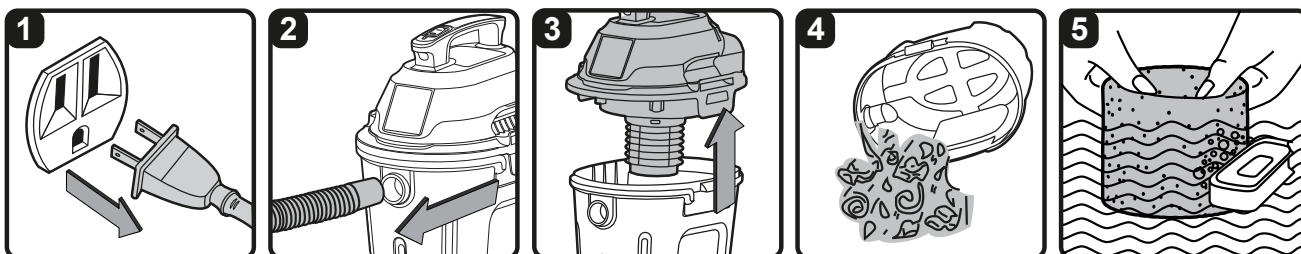
AVERTISSEMENT : TOUJOURS PORTER DES LUNETTES DE SÉCURITÉ QUI SONT MARQUÉES COMME ÉTANT CONFORMES À LA NORME ANSI Z87.1 (OU LA NORME CSAZ94.3 AU CANADA) AVANT D'UTILISER CET OUTIL COMME SOUFFLEUSE.

AVERTISSEMENT : S'ASSURER QUE PERSONNE N'EST À PROXIMITÉ DES DÉBRIS SOUFLÉS.

AVERTISSEMENT : PORTER UN MASQUE ANTI-POUSSIÈRES SI LE FAIT DE SOUFLER LES DÉBRIS CRÉE DE LA POUSSIÈRE POUVANT ÊTRE INHALÉE.

1. Vérifier que le cordon d'alimentation est débranché de la prise de courant (figure 1).
2. S'assurer que le réservoir est vide avant d'utiliser l'appareil comme souffleur.
3. Retirer le tuyau de l'orifice d'aspiration.
4. Insérer l'extrémité la plus large du tuyau dans l'orifice d'aspiration situé sur le côté arrière de la tête de pompe (figure 2).
5. Ajuster l'accessoire désiré sur le tuyau (figure 3).
6. S'assurer que l'interrupteur est réglé à la position d'arrêt et brancher le cordon d'alimentation dans l'alimentation (figure 4).
7. Avant de mettre en marche l'aspirateur, tenir fermement l'extrémité flexible du tuyau. Mettre le moteur en marche en positionnant l'interrupteur à « I » (MARCHE) (figure 5).

ENTRETIEN



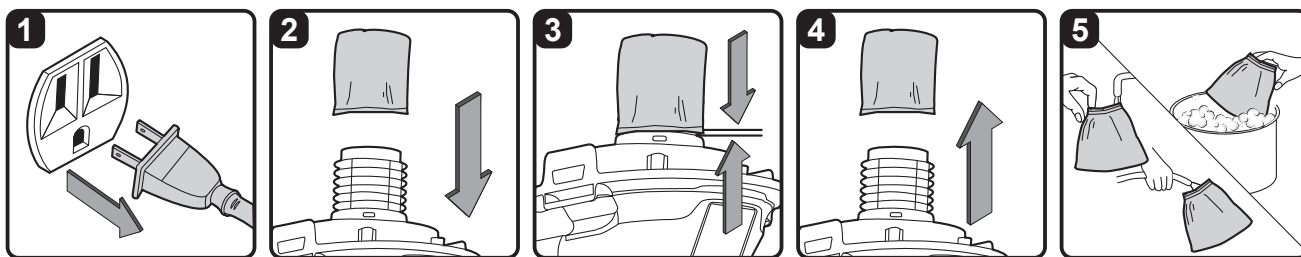
1. Vérifier que le cordon d'alimentation est débranché de la prise de courant (figure 1).
2. Débrancher le tuyau de l'aspirateur (figure 2).
3. Soulever les loquets et retirer la tête de pompe du réservoir (figure 3).
4. Enlever la saleté et les débris du réservoir et du tuyau (figure 4).
5. Nettoyer ou remplacer les filtres (figure 5).
6. Vérifier que le tuyau, les accessoires et le cordon d'alimentation ne sont pas endommagés.

IMPORTANT! Nettoyer ou remplacer le filtre à poussière régulièrement afin d'obtenir un rendement optimal. **TOUJOURS UTILISER UN FILTRE À POUSSIÈRE LORSQUE L'APPAREIL EST UTILISÉ POUR ASPIRER DES DÉTRITUS SECS.** Utiliser l'appareil sans le filtre à poussière peut entraîner une surchauffe du moteur et annuler la garantie. Toujours conserver des filtres à cartouche de rechange.

AVIS! Les filtres à poussière inclus avec l'appareil sont fabriqués avec des matériaux de haute qualité et conçus pour filtrer les petites particules de poussière. Le filtre à poussière doit seulement être utilisé afin d'aspirer des débris secs. Un filtre à poussière est essentiel afin d'être en mesure d'aspirer les particules de poussière. Un filtre à poussière humide risque de s'obstruer plus rapidement et sera plus difficile à nettoyer. Manipuler le filtre à cartouche avec soin lorsqu'il s'agit de le retirer afin de le nettoyer ou de le remplacer. Vérifier que le filtre n'est pas déchiré ni perforé. Un filtre perforé laissera la poussière s'échapper. Ne pas utiliser un filtre perforé ou déchiré; remplacer celui-ci sans tarder.

AVERTISSEMENT : TOUJOURS DÉBRANCHER L'APPAREIL AVANT DE RETIRER LA TÊTE DE POMPE DU RÉSERVOIR.

INSTALLATION ET NETTOYAGE DU FILTRE A TISSU RÉUTILISABLE



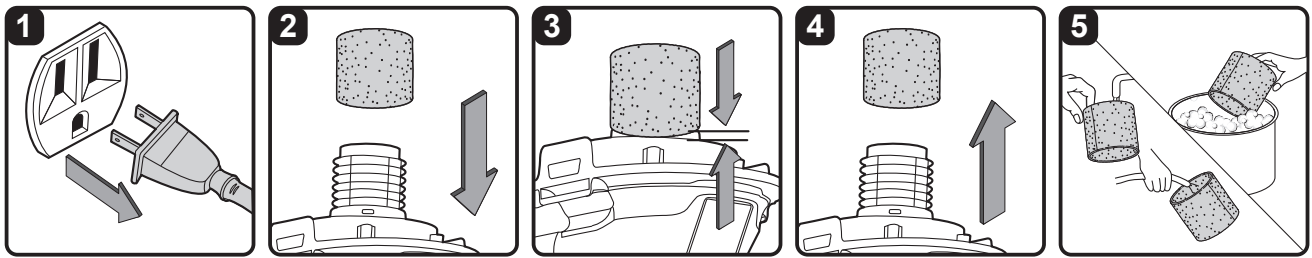
Installation du filtre en tissu réutilisable

1. Vérifier que le cordon d'alimentation est débranché de la prise de courant (figure 1).
2. Retirer la tête de pompe et la placer à l'envers.
3. Glisser le filtre en tissu réutilisable sur la cage du filtre et s'assurer que toute la cage du filtre est recouverte (figures 2 et 3).
4. Replacer la tête de pompe sur le réservoir.

Retrait et nettoyage du filtre en tissu réutilisable

1. Retirer la tête de pompe et la placer à l'envers.
2. Retirer doucement le filtre en tissu réutilisable de la cage du filtre (figure 4). Nettoyer le filtre en le frappant légèrement ou en le brossant afin d'en retirer la saleté. Le nettoyage du filtre à cartouche ne devrait pas être effectué à l'intérieur.
3. Nettoyer le filtre en tissu réutilisable avec de l'eau et un savon doux et le rincer avec de l'eau propre (figure 5).
4. Laisser le filtre humide sécher à l'air pour une période de 24 heures avant de le réinstaller.

INSTALLATION ET NETTOYAGE DU FILTRE À MANCHON EN MOUSSE



Installation du filtre à manchon en mousse

1. Vérifier que le cordon d'alimentation est débranché de la prise de courant (figure 1).
2. Retirer la tête de pompe et la placer à l'envers. Suivre les instructions afin de retirer le filtre en tissu.
3. Glisser doucement le filtre à manchon en mousse sur la cage du filtre et s'assurer que toute la cage du filtre est recouverte (figures 2 et 3).
4. Replacer la tête de pompe sur le réservoir.

Nettoyage du filtre à manchon en mousse

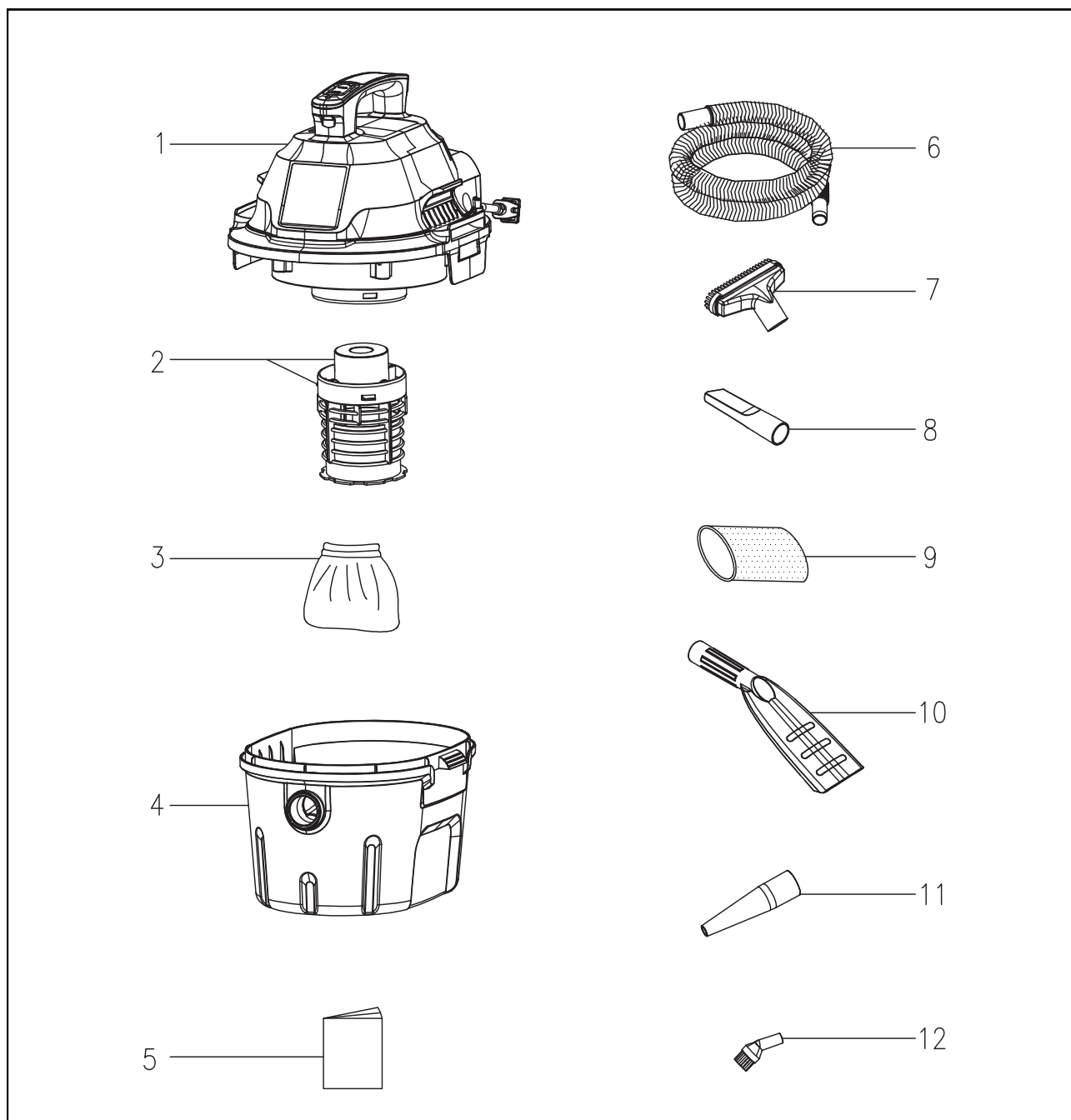
1. Retirer la tête de pompe et la placer à l'envers, retirer doucement le filtre à manchon en mousse (figure 4).
2. Nettoyer le filtre à manchon en mousse avec de l'eau et un savon doux et le rincer avec de l'eau propre (figure 5).
3. Laisser le filtre sécher à l'air avant de le réinstaller et de l'utiliser à nouveau.

DÉPANNAGE

AVERTISSEMENT : POUR RÉDUIRE LE RISQUE DE DÉCHARGE ÉLECTRIQUE, DÉBRANCHER L'APPAREIL AVANT DE PROCÉDER AU DÉPANNAGE.

Problème	Causes possibles	Solutions
L'aspirateur ne fonctionne pas	1) Il n'y a pas d'alimentation électrique.	1) Vérifier l'alimentation électrique : le cordon d'alimentation, les disjoncteurs, les fusibles.
	2) Le cordon d'alimentation est défectueux.	2) Débrancher l'appareil et vérifier le cordon d'alimentation. Si celui-ci est endommagé, le faire réparer par un professionnel.
	3) Le réservoir est plein.	3) Vider le réservoir.
De la poussière s'échappe du couvercle de la tête de pompe.	1) Le filtre en tissu réutilisable n'est pas installé ou il est endommagé.	1) Installer le filtre en tissu réutilisable ou remplacer le filtre en tissu endommagé.
Rendement inférieur à la normale et vibration du moteur.	1) L'embout, le tuyau ou l'ouverture de l'aspirateur sont bloqués. Le filtre peut être bloqué par de fines particules de poussière.	1) Vérifier l'embout, le tuyau et l'ouverture afin de s'assurer qu'ils ne sont pas bloqués. Retirer et nettoyer le filtre ou en installer un nouveau.

SCHÉMA ÉCLATÉ ET LISTE DES PIÈCES



AA255 Liste des pièces

Numéro de pièce	Schéma	Description	Quantité
1	551091110	Ensemble de tête de pompe	1
2	551091122	Flotteur et cage du filtre	1
3	VRC2	Filtre à poussière	1
4	551091103	Réservoir	1
5		Manuel d'utilisation	1
6	V1H6F	Tuyau	1
7	V1UB	Buse utilitaire 2 en 1 avec brosse	1
8	V1CT	Suceur plat	1
9	VFF21	Manchon en mousse	1
10	551091125	Buse de luxe pour la voiture	1
11	551092108	Embout de souffleuse / adaptateur	1
12	551024139	Petite brosse	1

INDICE

Sección	Página
Garantía.....	24
Instrucciones de seguridad y advertencias.....	25
Instrucciones del aislamiento doble.....	26
Cordón de extensión.....	26
Desempaquetado y contenido de la caja.....	27
Instrucciones de ensamblaje general.....	28
Recogido de materiales secos.....	29
Recogido de líquidos con la aspiradora.....	30
Soplador.....	31
Mantenimiento.....	31
Instalación y limpieza del filtro de tela.....	32
Instalación y limpieza del filtro de esponja.....	33
Diagnostico	33
Partes de repuesto y diagrama.....	34

Gracias por comprar esta aspiradora mojado/seco de Armor All® . Siéntase seguro que con Armor All® está obteniendo un producto de alta calidad dirigido al funcionamiento óptimo. Esta aspiradora es capaz de recoger líquidos y materiales secos.

PARA SU SEGURIDAD LEA CUIDADOSAMENTE Y ENTIENDA TODAS LAS INSTRUCCIONES

GARANTÍA

Nosotros nos enorgullecemos en producir un producto durable de alta calidad. Este producto de Armor All® tiene una garantía limitada de dos años contra defectos en la ejecución y materiales a partir de la fecha de compra bajo uso normal en su hogar. Si el producto va a ser utilizado para uso comercial, industrial o de alquiler, una garantía limitada de 90 días se aplicará. La garantía no se aplica a los defectos causados por abuso, negligencia, uso erróneo, accidentes, reparaciones o alteraciones directas o indirectas y falta de mantenimiento. Guarde por favor su recibo como prueba de la compra. Esta garantía le da derechos legales específicos, y puede tener otros derechos, que varían de estado en estado. Para servicio de su producto llame a Servicio al Cliente de Cleva al 1-866-384-8432.

No cubierto por la garantía

- Cualquier parte que esté inoperativa por culpa de uso indebido, negligencia, abuso directo/indirecto, accidentes, mantenimiento inadecuado, reparaciones inadecuadas o alteraciones.
- Consumibles, tales como filtros de cartucho, filtros de tela, bolsas recolectoras de polvo y mangas de filtro de espuma.
- Desgaste y rotura normal de piezas y accesorios, tales como mangueras, boquillas o ruedecillas.
- Deterioro normal del acabado exterior debido al uso o exposición.
- Cualquier producto cuya etiqueta con el número de serie/datos esté alterada o faltante.
- Cualquier producto adquirido en un punto de ventas no autorizado.

INSTRUCCIONES DE SEGURIDAD Y ADVERTENCIAS

INSTRUCCIONES DE SEGURIDAD IMPORTANTES

Lea y entienda todas las instrucciones antes de usar esta aspiradora

Lea y entienda el manual del usuario y todas las etiquetas en la aspiradora mojado/seco antes de utilizar. La seguridad es una combinación de sentido común, hay que permanecer alerta y saber como su aspiradora trabaja. Utilizar esta aspiradora mojado/seco solamente según lo descrito en este manual.

Para Uso Domestico Solamente.

GUARDE ESTE MANUAL PARA FUTURA REFERENCIA

Lorsque vous utilisez un appareil électrique, vous devez toujours respecter certaines consignes de sécurité, dont les suivantes

ADVERTENCIA: PARA REDUCIR EL RIESGO DE FUEGO, SACUDIDA ELÉCTRICA O DE LESIÓN:

- No deje la aspiradora desatendida cuando este enchufada.
- No limpie con la aspiradora, o utilice esta aspiradora mojado/seco cerca de líquidos inflamables, gases, o vapores explosivos como la gasolina u otros combustibles, líquido de butano, limpiadores, pinturas a base de aceite, gas natural, hidrógeno, o explosivos como el polvo de carbón, el polvo de magnesio, el polvo de grano, o pólvora. Las chispas dentro del motor pueden encender vapores inflamables o polvos combustibles.
- No aspire objetos que están encendidos o echando humo, por ejemplo cigarrillos, fósforos, o las cenizas calientes.
- Mantenga el cordón eléctrico lejos de superficies calientes.
- No exponga a la lluvia. Almacene en interiores.
- No desenchufe tirando del cordón. Para desenchufar, agarrare el enchufe, no el cordón.
- No utilice con el cordón, el enchufe u otras piezas dañadas.
- Si la aspiradora no funciona como debe, le falta piezas, se ha caído, ha sido dañada, se ha dejado a la intemperie o se ha caído al agua, devuélvala a un centro de servicio.
- No tire ni lleve por el cable, ni utilice el cordón de uso como manija, no cierre puertas sobre el cordón, o le de tirones alrededor de bordes o de esquinas filosas.
- No pase la aspiradora mojado/seco encima de su cordón eléctrico.
- No toque el enchufe o la aspiradora mojado/seco con las manos mojadas.
- Para reducir el riesgo de peligros para la salud por vapores o polvo, no aspire materiales tóxicos.
- No utilice ni almacene cerca de materiales peligrosos.
- No utilice esta aspiradora mojado/seco con un filtro rasgado o sin el filtro instalado excepto al limpiar líquidos con la aspiradora según lo descrito en la sección de la operación de este manual.
- No utilice como juguete. La máxima atención es necesaria cuando sea utilizada por niños o cerca de éstos.
- Para reducir el riesgo de lesiones debido a un arranque accidental, desenchufe el cordón eléctrico antes de cambiar o de limpiar el filtro.
- No deje la aspiradora mojado/seco desatendida cuando este conectada a un tomacorriente. Desenchufe de la corriente eléctrica cuando no este siendo utilizada y antes de darle servicio de ajustes y reparaciones.
- Apague su aspiradora mojado/seco antes de desenchufar.
- No ponga ningún objeto en las aberturas de la ventilación. No utilice la aspiradora con ninguna de las aberturas de la ventilación bloqueadas; mantenga libre de polvo, pelusa, cabellos o cualquier cosa que pueda reducir el flujo de aire.
- Mantenga el cabello, ropa suelta, dedos, y todas las partes del cuerpo lejos de aberturas y de piezas móviles.
- Para reducir el riesgo de caídas, utilice cuidado adicional al limpiar en las escaleras.

Al usar como soplador:

- Dirija la descarga directa del aire solamente al área de trabajo.
- No utilice la aspiradora mojado/seco como rociador.
- No dirija el aire a las personas.

INSTRUCCIONES DE AISLAMIENTO DOBLE

Esta aspiradora mojado/seco tiene aislamiento doble, eliminando la necesidad de un sistema de conexión a tierra separado. Utilice solamente piezas de repuesto idénticas. Lea las instrucciones para mantenimiento de su aspiradora mojado/seco con doble-aislamiento antes de realizar ajustes y reparaciones. Utilice esta aspiradora según lo descrito en este manual. Observe las siguientes advertencias que aparecen en la cubierta del motor de su aspiradora.


 **AISLAMIENTO DOBLE - NO REQUIERE UN SISTEMA DE CONEXIÓN A TIERRA SEPARADO - UTILICE SOLAMENTE PIEZAS DE REPUESTO IDÉNTICAS.**

ADVERTENCIA: PARA REDUCIR EL RIESGO DE SACUDIDAS ELÉCTRICAS NO EXPONGA A LA LLUVIA. ALMACÉNE EN INTERIORES.

ADVERTENCIA: PARA SU PROPIA SEGURIDAD, LEA Y ENTIENDA EL MANUAL DEL USUARIO. NO DEJE DESATENDIDO. NO RECOJA CENIZAS CALIENTES, CARBONES, MATERIALES TÓXICOS, INFLAMABLES U OTROS MATERIALES PELIGROSOS, NO UTILIZE ALREDEDOR DE LÍQUIDOS O DE VAPORES EXPLOSIVOS.

PRECAUCIÓN:

• No limpie el polvo de yeso o cemento con la aspiradora, el hollín o la ceniza de la chimenea utilizando un filtro estándar mojado/ seco. Este es un polvo muy fino el cuál no será capturado por el filtro y puede causar daño al motor. Cuando aspire polvos finos use un filtro para polvos finos.

ADVERTENCIA: EN LA ASPIRADORA MOJADO/SECO CON AISLAMIENTO DOBLE SE PROPORCIONAN DOS MEDIOS DE AISLAMIENTO EN VEZ DE CONEXIÓN A TIERRA. NO SE PROPORCIONA NINGÚN MEDIO DE CONEXIÓN A TIERRA A UN APARATO ELECTRODOMÉSTICO CON AISLAMIENTO DOBLE, NI SE DEBE AÑADIR A ÉSTE NINGUN MEDIO DE CONEXIÓN A TIERRA. EL SERVICIO DE AJUSTES Y REPARACIONES DE LA ASPIRADORA CON AISLAMIENTO DOBLE REQUIERE EXTREMO CUIDADO Y CONOCIMIENTO DEL SISTEMA, Y DEBE SER REALIZADO ÚNICAMENTE POR PERSONAL DE SERVICIO AUTORIZADO. SU ASPIRADORA ESTA MARCADA CON LAS PALABRAS 'DOUBLE INSULATED' EL SÍMBOLO  (CUADRADO DENTRO DE UN CUADRADO) TAMBIÉN ESTA MARCADO EN EL APARATO.

• **NO UTILIZE** sin los filtros en su lugar.

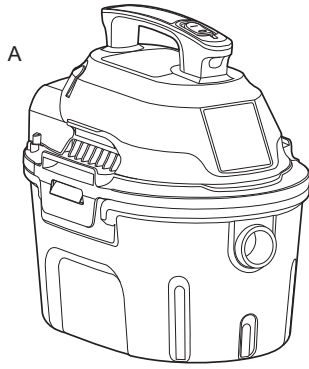
PRECAUCIÓN: PARA REDUCIR EL RIESGO DE LESIÓN A CAUSA DE PIEZAS MOVIBLES DESENCHUFE ANTES DE REPARAR.

CORDÓN DE EXTENSIÓN

Al utilizar un cordón de extensión con su aspiradora mojado/seco refiérase a la siguiente tabla para determinar el tamaño requerido del cordón de A.W.G. Antes de usar la aspiradora asegúrese de que el cordón eléctrico y el cordón de la extensión están en buenas condiciones para hacer el trabajo. Haga las reparaciones o los reemplazos antes de usar la aspiradora. Únicamente use cordones de extensión con capacidad nominal para uso a la intemperie.

110V-120V	Longitud del cordón de extensión			
	25 Pies 7.5 Metros	50 Pies 15.25 Metros	100 Pies 30.5 Metros	150 Pies 45.7 Metros
Amps	A.W.G. Tamaño del cordón			
0-6	18	16	16	14
7-10	18	16	14	12
11-12	16	16	14	12
13-16	14	12	No se recomienda	

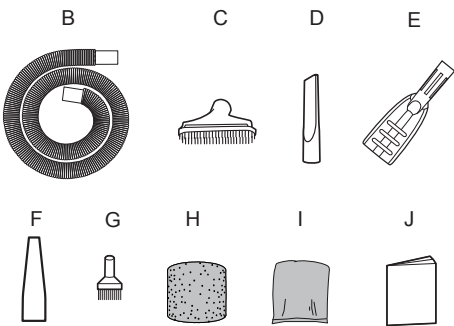
DESEMPAQUETADO Y CONTENIDO DE LA CAJA



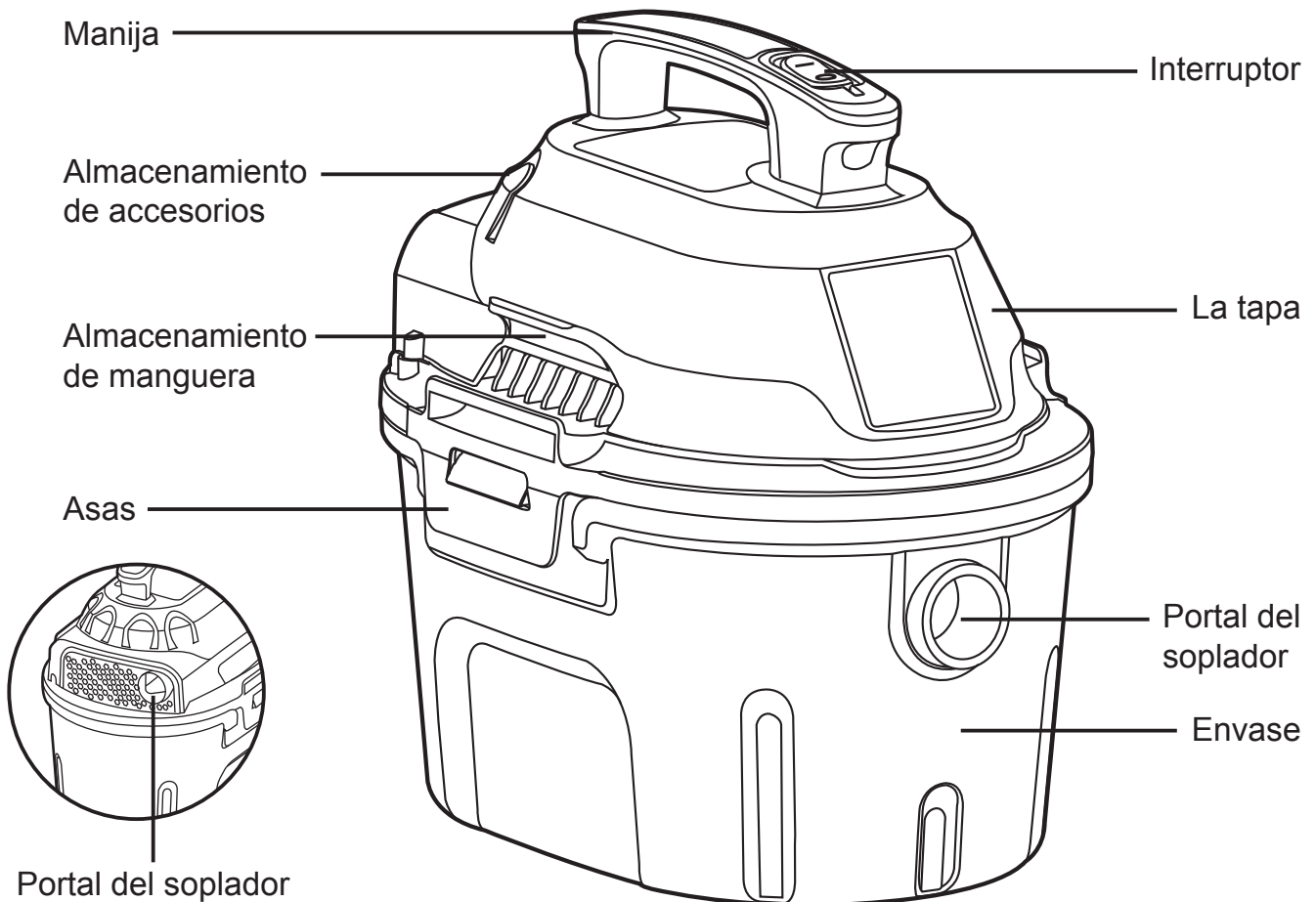
Sacar el contenido del cartón.
Compruebe cada artículo contra la lista de contenido.

Lista de contenido

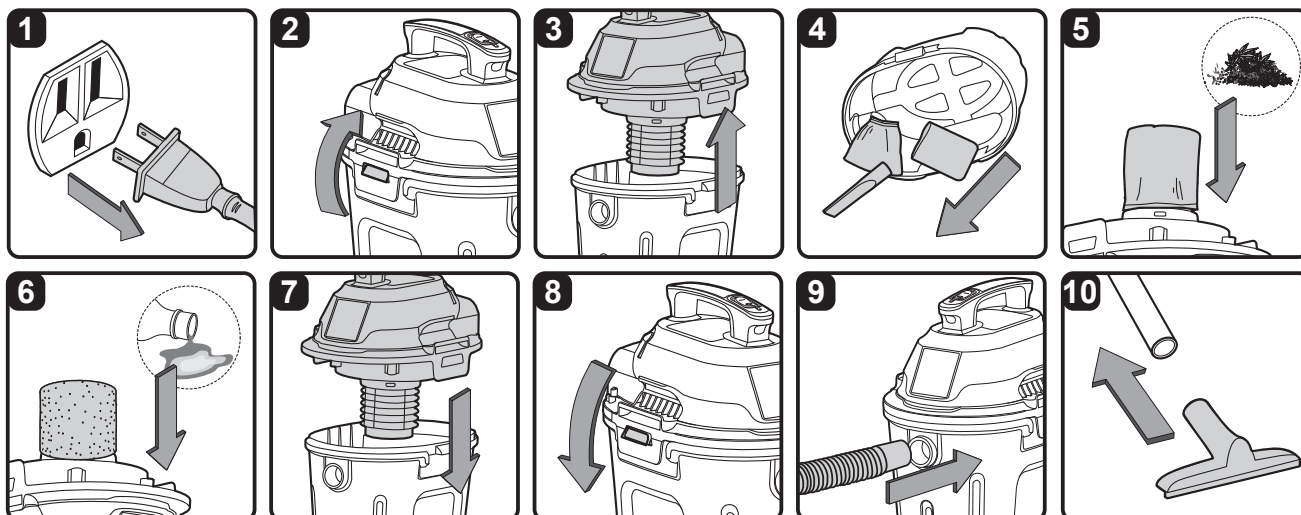
Clave	Descripción	Cant.
A	Ensamblaje de la aspiradora.....	1
B	Manguera.....	1
C	2-en-1 Boquilla de utilidad con cepillo.....	1
D	Herramienta para ranuras.....	1
E	Boquilla para carros.....	1
F	Boquilla para soplar / adaptador.....	1
G	Cepillo pequeño para detalles.....	1
H	Filtro de esponja.....	1
I	Filtro de tela reutilizable.....	1
J	Manual del usuario.....	1



NOTA: La Manguera y los accesorios de esta aspiradora son de 1.25 pulgadas (3.18cm) de diámetro.



INSTRUCCIONES DE ENSAMBLAJE GENERAL



ADVERTENCIA: NO ENCHUFE EL CABLE ELÉCTRICO AL TOMACORRIENTE, ASEGURESE DE QUE EL ENCHUFE ESTE DESCONECTADO ANTES DE ENSAMBLAR SU ASPIRADORA

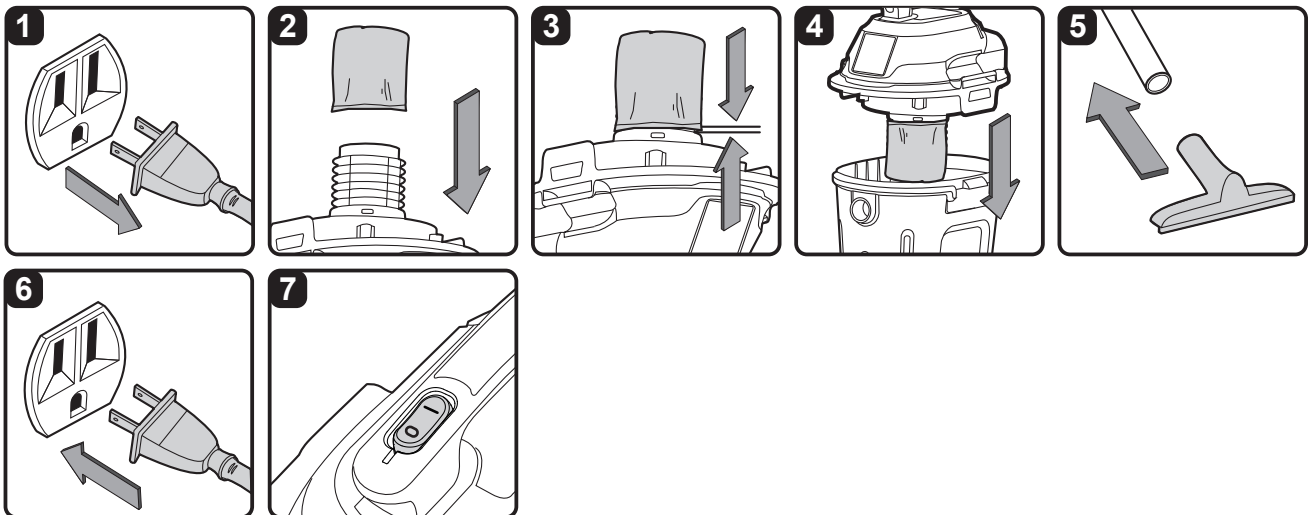
DESEMPAQUE DE SU ASPIRADORA Y ENSAMBLAJE

1. Verifique que el cordón eléctrico esté desconectado del enchufe. (fig.1)
2. Suelte las asas. (fig.2)
3. Levante la tapa que está sobre el envase. (fig.3)
4. Saque el contenido dentro del envase, asegúrese de tener todo el contenido según lo enumerado en la página 27. (fig.4)
5. Para aspirar en seco, instale el filtro de tela incluido. (fig.5) Vea la página 32 para instalación del filtro.
6. Para aspirar mojado, instale el filtro de esponja incluido. (fig.6) Vea la página 32 para instalación del filtro.
7. Coloque nuevamente la tapa sobre el envase, alinee las asas, y presione hasta que estén aseguradas en su lugar. (fig.7 y 8)
8. Inserte el extremo grueso de la manguera en la entrada del envase (fig.9)
9. Elija los accesorios deseados y colóquelos a la manguera. (fig.10)

ENCHUFE POLARIZADO

Para reducir el riesgo de sacudidas eléctricas, este aparato electrodoméstico tiene un enchufe polarizado (una hoja es más ancha que la otra). Este enchufe entrará en un tomacorriente polarizado solamente de una manera. Si el enchufe no entra por completo en el tomacorriente, voltéelo. Si sigue sin entrar, póngase en contacto con un electricista competente para instalar el tomacorriente adecuado. No modifique el enchufe. Aislamiento Doble elimina la necesidad de un enchufe de tres cables con tierra y de un sistema de conexión a tierra separado.

RECOGIDA DE MATERIALES SECOS



ASPIRAR MATERIALES EN SECO

ADVERTENCIA: ASEGURESE DE LEER, ENTENDER, Y APLICAR LA INFORMACIÓN, DADA SOBRE LAS “INSTRUCCIONES DE SEGURIDAD Y ADVERTENCIAS”. NO LIMPIE CON LA ASPIRADORA EN ÁREAS CON GASES INFLAMABLES, VAPORES, O POLVOS EXPLOSIVOS EN EL AIRE. LOS GASES O LOS VAPORES INFLAMABLES INCLUYEN PERO NO SE LIMITAN A; LÍQUIDO DE BUTANO, SOLVENTES EN FORMA DE AEROSOL PARA LIMPIAR, PINTURAS A BASE DE ACEITE, GASOLINA, ALCOHOL O AEROSOL. EL POLVO EXPLOSIVO INCLUYE PERO NO SE LIMITA A; POLVO DE CARBÓN, GRANO DE MAGNESIO O POLVORA. PARA REDUCIR EL RIESGO DE LOS VAPORES A LA SALUD NO ASPIRE MATERIALES TÓXICOS CON LA ASPIRADORA.

1. Verifique que el cordón eléctrico esté desconectado del enchufe. (fig.1)
2. Para preparar su aspiradora para limpiar en seco, verifique que el filtro este cubriendo completamente la jaula del filtro y que llega hasta el cabezal. (fig.2 y 3) (Su aspiradora viene con un filtro de tela pre instalado si no esta instalado vea las instrucciones en la pagina 32.)
3. Ponga la tapa en el envase, y asegúrela en su lugar usando las asas. (fig.4)

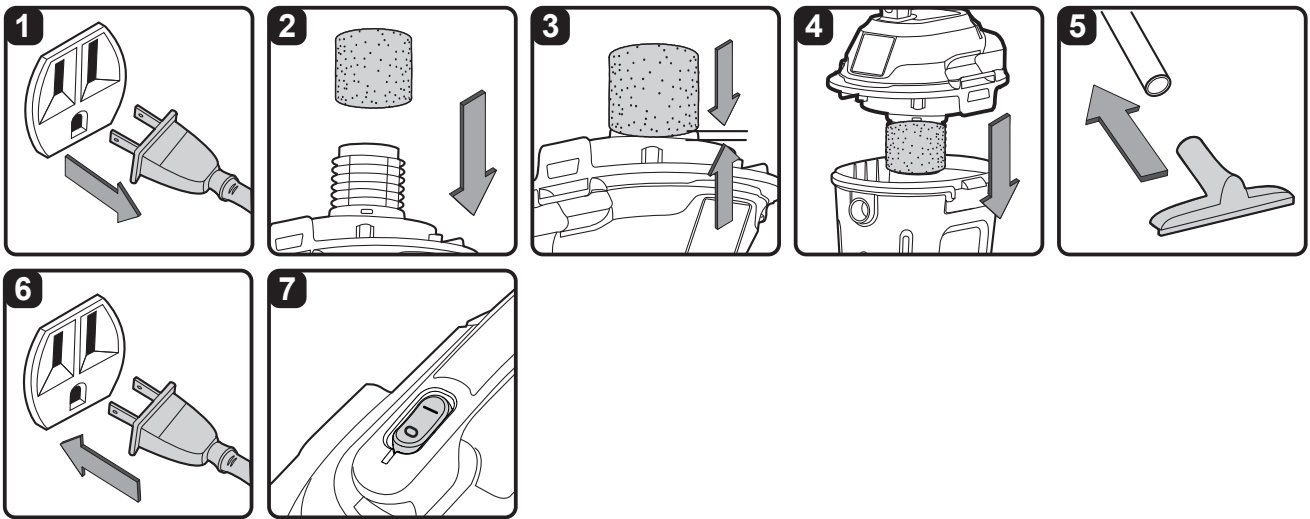
INSTRUCCIONES DE FUNCIONAMIENTO: ASPIRAR MATERIALES EN SECO

4. Inserte el extremo grueso de la manguera en el cabezal y asegúrela en su lugar. Empuje el accesorio requerido sobre el final libre de la manguera o de la extensión. (fig.5)
5. Enchufe el cordón eléctrico en el tomacorriente. (fig.6)
6. Encienda el motor moviendo el interruptor a la posición de encendido con el símbolo 'I' (Encendido). (fig.7)
7. Una vez que usted haya terminado de limpiar con la aspiradora, mueva el interruptor a la posición de apagado 'O' (Apagado) antes de enchufar el cordón electric del tomacorrientes.

O = Apagado I = Encendido

NO UTILICE EL FILTRO DE TELA PARA ASPIRAR LÍQUIDOS CON LA ASPIRADORA.

RECOGIDA DE LÍQUIDOS CON LA ASPIRADORA



ASPIRACION DE LÍQUIDOS

ADVERTENCIA: ASEGURESE DE LEER, ENTENDER, Y APLICAR LA INFORMACIÓN, DADA SOBRE LAS “INSTRUCCIONES DE SEGURIDAD Y ADVERTENCIAS”. NO LIMPIE CON LA ASPIRADORA EN ÁREAS CON GASES INFLAMABLES, VAPORES, O POLVOS EXPLOSIVOS EN EL AIRE. LOS GASES O LOS VAPORES INFLAMABLES INCLUYEN PERO NO SE LIMITAN A; LÍQUIDO DE BUTANO, SOLVENTES EN FORMA DE AEROSOL PARA LIMPIAR, PINTURAS A BASE DE ACEITE, GASOLINA, ALCOHOL O AEROSOL. EL POLVO EXPLOSIVO INCLUYE PERO NO SE LIMITA A; POLVO DE CARBÓN, GRANO DE MAGNESIO O POLVORA. PARA REDUCIR EL RIESGO DE LOS VAPORES A LA SALUD NO ASPIRE MATERIALES TÓXICOS CON LA ASPIRADORA.

ADVERTENCIA: ASEGÚRESE DE QUE NO ESTE CONECTADA AL TOMACORRIENTE ANTES DE ENSAMBLAR SU ASPIRADORA

1. Verifique que el cordón eléctrico esté desconectado del enchufe. Verifique que el envase esté limpio y libre de polvo. (fig.1)
2. Quite el filtro de tela reutilizable, después instale cuidadosamente el filtro de esponja sobre la jaula del filtro y ponga la tapa de vuelta en el envase. (fig. 2, 3 & 4) Vea las instrucciones de instalación del filtro en la página 32.

NO UTILICE EL FILTRO DE TELA REUTILIZABLE PARA ASPIRAR LÍQUIDOS CON LA ASPIRADORA

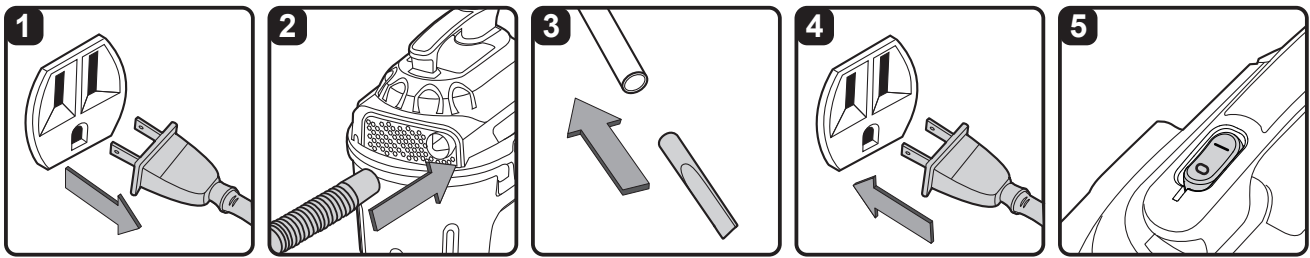
INSTRUCCIONES DE FUNCIONAMIENTO - ASPIRAR LIQUIDOS

3. Coloque a la manguera la boquilla que desea utilizar. (fig.5)
4. Verifique que el interruptor esté en posición de apagado 'O' (Apagado) antes de enchufar el cordón electric en el enchufe. (fig.6)
5. Encienda el motor moviendo el interruptor a la posición de encendido con el símbolo 'I' (Encendido). (fig.7)
6. Después de cada uso, vacíe y limpie el envase antes de guardar.

¡IMPORTANTE! Al aspirar grandes cantidades de líquidos con la aspiradora, no sumerja la apertura de la manguera totalmente en el líquido; deje un boquete en la extremidad de la manguera para permitir afluencia del aire. La máquina esta equipada con un flotador que detiene la acción de succión cuando el envase alcanza su capacidad máxima. Usted notará un aumento en velocidad del motor. Cuando esto suceda, apague la máquina, desconéctela del tomacorriente, y drene el líquido. Para continuar aspirando, reinstale la tapa del drenaje. Al terminar de aspirar, cerciórese que el interruptor esté en posición de apagado y quite el enchufe del tomacorriente. Vacíe el envase, limpie y seque el interior y el exterior antes de almacenar.

¡RECUERDE! El filtro de esponja se debe quitar después de aspirar líquidos con la aspiradora, y un filtro reutilizable de tela se debe instalar antes de limpiar otra vez materiales secos.

SOPLADOR



Esta aspiradora puede ser utilizada como soplador. Para usar como soplador siga las instrucciones siguientes.

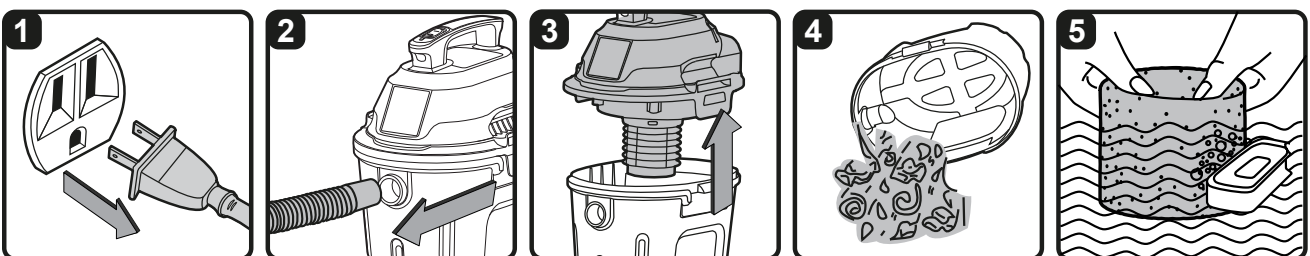
ADVERTENCIA: SIEMPRE UTILIZE ANTEOJOS DE SEGURIDAD QUE CONFORMEN CON ANSI Z87.1 (O EN CANADA, CSAZ94.3) ANTES DE USAR EL SOPLADOR.

ADVERTENCIA: MANTENGA A LAS PERSONAS ALEJADAS DE LOS RESIDUOS SOPLADOS.

ADVERTENCIA: UTILIZE UNA MASCARA ANTIPOLVO SI AL SOPLAR SE CREA POLVO QUE PUEDA SER INHALADO.

1. Verifique que el cordón eléctrico esté desconectado del enchufe. (fig. 1)
2. Asegúrese de que el envase este vacío antes de usar como soplador.
3. Retire la manguera del portal de aspirar.
4. Inserte el extremo grueso de la manguera en el portal del soplador localizado en la parte trasera de la tapa. (fig. 2)
5. Ponga la extensión o boquilla deseada a la manguera. (fig. 3)
6. Asegúrese de que el interruptor este en la posición de apagado 'O' y enchufe al tomacorrientes. (fig. 4)
7. Antes de encender la aspiradora, asegure la manguera entre sus manos con firmeza. Encienda el motor moviendo el interruptor a la posición de 'I'. (fig. 5)

MANTENIMIENTO



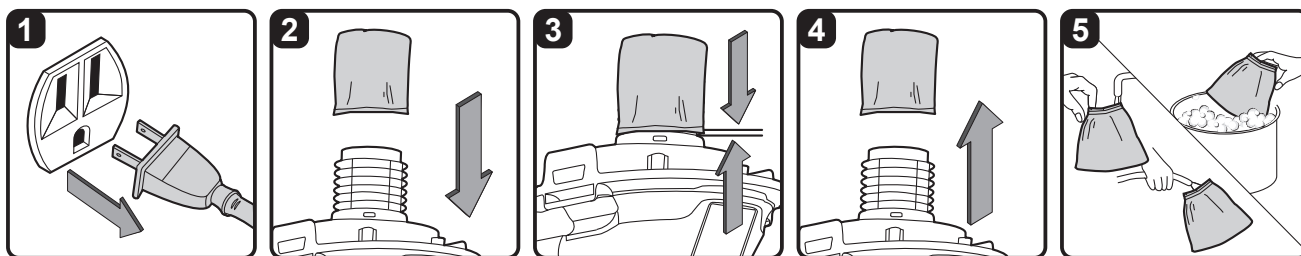
1. Verifique que el enchufe esté desconectado del tomacorriente. (fig.1)
2. Desconecte la manguera del envase. (fig.2)
3. Suelte las asas y quite la tapa del envase. (fig.3)
4. Limpie todo el sucio o partículas del envase y manguera. (fig.4)
5. Limpie y reemplace los filtros. (fig.5)
6. Verifique que la manguera, los accesorios y el cordón eléctrico no hayan sido dañados.

¡IMPORTANTE! Limpie o cambie el filtro regularmente para mejor funcionamiento. **SIEMPRE UTILICE EL FILTRO DE POLVO PARA LIMPIAR CON LA ASPIRADORA EN SECO.** Si la máquina se utiliza sin el filtro de polvo, el motor se quemará y la garantía será anulada. Siempre tenga a mano repuestos de los filtros.

¡AVISO! El filtro incluido está hecho de material de alta calidad diseñado para atrapar partículas de polvo pequeñas. El filtro se debe utilizar para recoger en seco solamente. Un filtro seco es necesario para recoger el polvo. Si el filtro de polvo está mojado, se estropeará rápidamente y será muy difícil limpiar. Utilice cuidado al quitar el filtro para limpiarlo y cambiarlo. Examine los filtros para ver si tienen rasgones o agujeros pequeños, un agujero pequeño puede dejar pasar el polvo a través y fuera del aspirador. No utilice un filtro con agujeros o rasgones, cambie inmediatamente.

ADVERTENCIA: SIEMPRE DESCONECTE EL ENCHUFE DEL TOMACORRIENTE ANTES DE QUITAR LA TAPA DEL ENVASE.

INSTALACIÓN Y LIMPIEZA DEL FILTRO DE TELA



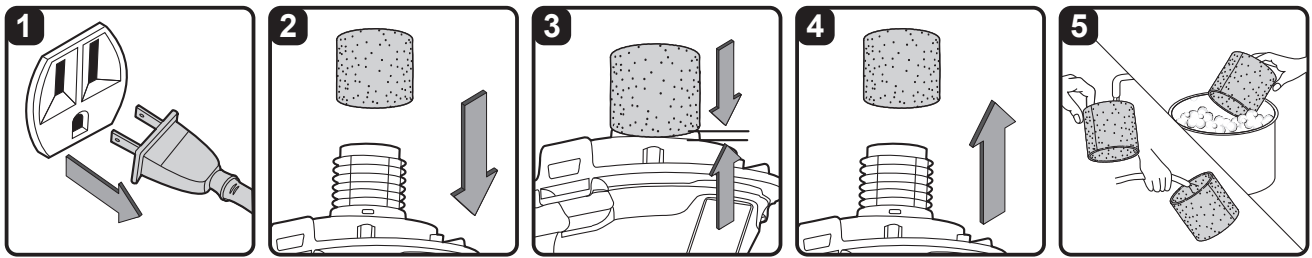
Instalación del filtro de tela reutilizable

1. Verifique que el enchufe esté desconectado del tomacorriente. (fig. 1)
2. Quite la tapa del envase y colóquela hacia arriba.
3. Resbale el filtro de tela hacia abajo sobre la jaula del filtro y cerciórese de que cubra la jaula. (fig. 2 y 3)
4. Ponga la tapa de vuelta a su lugar en el envase.

Retiro y limpieza del filtro de tela reutilizable

1. Retire la tapa con el cabezal y en posición invertida.
2. Quite cuidadosamente el filtro de tela reutilizable de la jaula del filtro. (fig. 4) Limpie el filtro suavemente golpeando ligeramente o cepillando la suciedad. La limpieza se debe realizar al aire libre y no en el interior de su vivienda.
3. Utilice una solución de jabón y agua para lavar el filtro de tela, enjuague con agua limpia. (fig. 5)
4. Permita que el filtro mojado se ventile por 24 horas antes de instalar nuevamente en la jaula del filtro.

INSTALACIÓN Y LIMPIEZA DEL FILTRO DE ESPONJA



Instalación del filtro de esponja

1. Verifique que el enchufe esté desconectado del tomacorriente. (fig. 1)
2. Quite la tapa del envase y colóquela hacia arriba. Siga las instrucciones para quitar el filtro de polvo.
3. Cuidadosamente resbale el filtro hacia abajo, sobre la jaula del filtro y empuje el filtro hacia adentro hasta que cubra la jaula completamente. (fg.2 y 3))
4. Ponga la tapa de vuelta a su lugar en el envase.

Limpieza del filtro de esponja

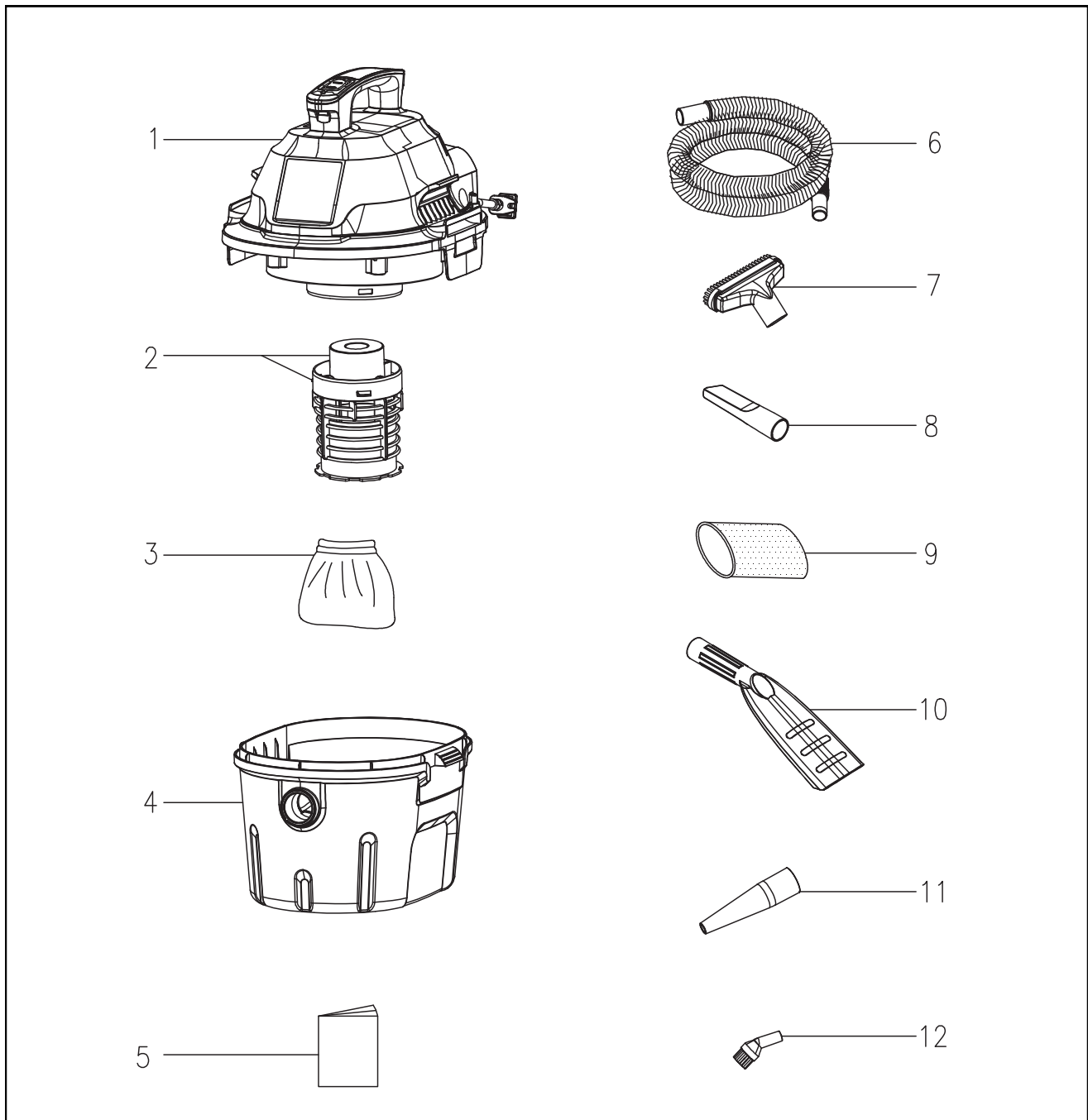
1. Con la tapa en posición invertida quite cuidadosamente el filtro de esponja. (fig. 4)
2. Utilice una solución de jabón y agua para lavar el filtro de esponja, enjuague con agua limpia. (fig. 5)
3. Permita que el filtro se seque antes de instalar y de usar otra vez.

DIAGNOSTICO

ADVERTENCIA : SIEMPRE DESCONECTE EL ENCHUFE DEL TOMACORRIENTE ANTES DE DIAGNOSTICAR.

Síntoma	Posibles causas	Como corregir
Aspiradora no funciona	1) No esta conectada al tomacorriente.	1) Inspeccione el tomacorriente, cordón, caja de fusibles y fusibles.
	2) Cordón eléctrico defectuoso.	2) Desenchufe y examine el cordón eléctrico. Si está dañado, haga que sea reparado por un profesional.
	3) Envase lleno.	3) Vacíe el envase.
Polvo sale de la cubierta del motor.	1) El filtro de tela no esta puesto o esta dañado.	1) Ponga un filtro de tela o reemplace.
Eficacia reducida y vibración del motor.	1) Hay una obstrucción en la boquilla, la manguera, o la entrada del envase. O el filtro esta bloqueado por polvo fino.	1) Examine las entradas de la boquilla, de la manguera y del envase para saber si hay una obstrucción. Saque el filtro y límpielo. O instale un filtro nuevo.

PARTES DE REPUESTO Y DIAGRAMA



AA255 Lista De Repuestos

Key Numero	Numero Del Dibujo	Descripción	Cantidad
1	551091110	Ensamblaje De Motor	1
2	551091122	Jaula Y Flota	1
3	VRC2	Filtro De Tela	1
4	551091103	Envase	1
5		Manual Del Usuario	1
6	V1H6F	Manguera	1
7	V1UB	2-en-1 Boquilla De Utilidad Con Cepill	1
8	V1CT	Herramienta Para Ranuras	1
9	VFF21	Filtro De Esponja	1
10	551091125	Boquilla Para Carros	1
11	551092108	Boquilla Para Soplar / Adaptador	1
12	551024139	Cepillo Pequeño Para Detalles	1

This manual was downloaded from

wet-dry-vac.com

The most comprehensive source of information about wet/dry shop vacuums on the Internet!

Wet-dry-vac.com allows you to learn about how to purchase a wet/dry vac, compare and review detailed specifications on hundreds of models, and find compatible filters.

You can also view manuals, parts lists and brochures for hundreds of models. Plus, you can find the best prices for vacuums and filters, and purchase online right from the site.

