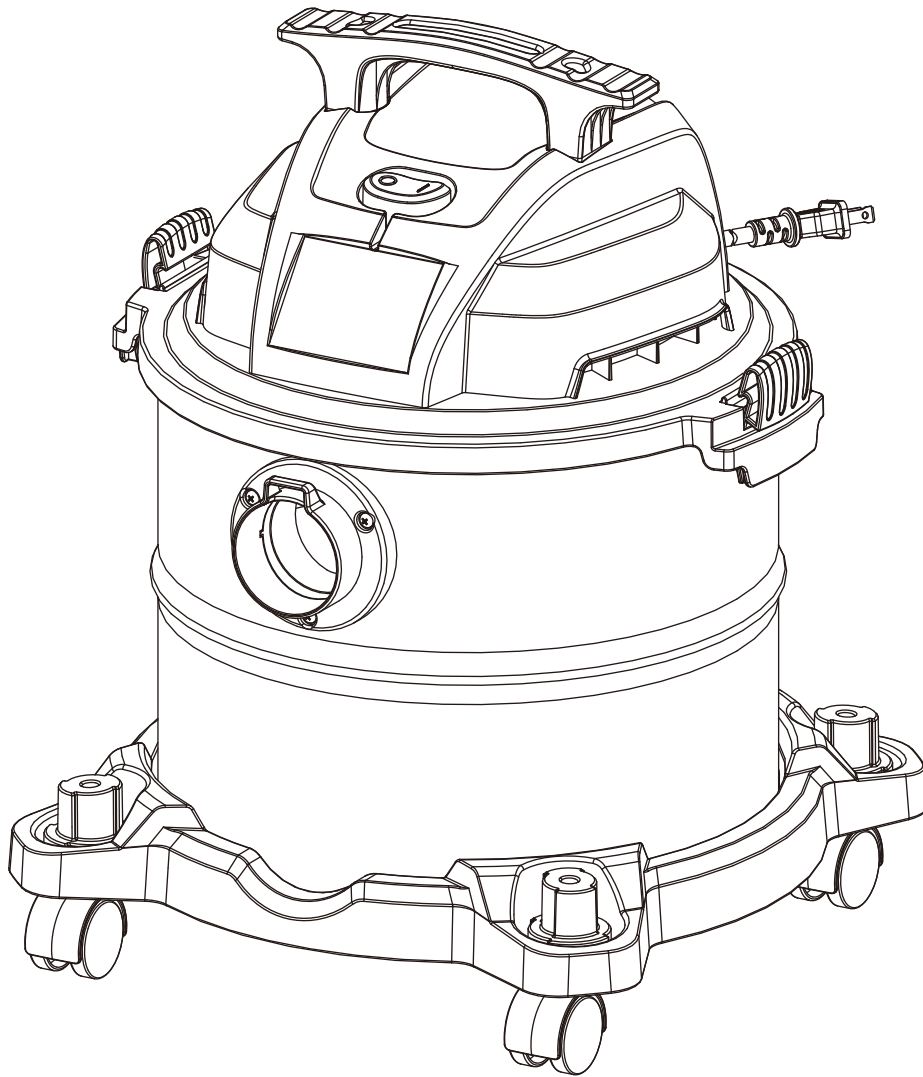


# **STANLEY®**

## **5 Gal (18.93 Liter) WET/DRY VACUUM**

### **OWNER'S MANUAL**



**IMPORTANT: READ THIS OPERATOR'S MANUAL  
BEFORE USING!**

**Toll-free helpline for replacement parts:  
1-888-899-0146**

**Alton Industry Ltd. Group - All Rights Reserved  
Manufactured in China**

## TABLE OF CONTENTS

---

Specifications- - - - -	2
Package Contents - - - - -	3
Safety Information- - - - -	4
Operating Instructions- - - - -	6
Care and Maintenance- - - - -	9
Troubleshooting - - - - -	9
Exploded View and Parts List - - - - -	10
Warranty- - - - -	11

## PRODUCT SPECIFICATIONS

---

Power	120 V / 60 Hz / 7 A
Motor	By-Pass, Single Stage
Tank Capacity	5 Gallon
Hose	1-1/4 in. x 5 ft.
Power cord	SJTW18AWG / 10 ft. Length

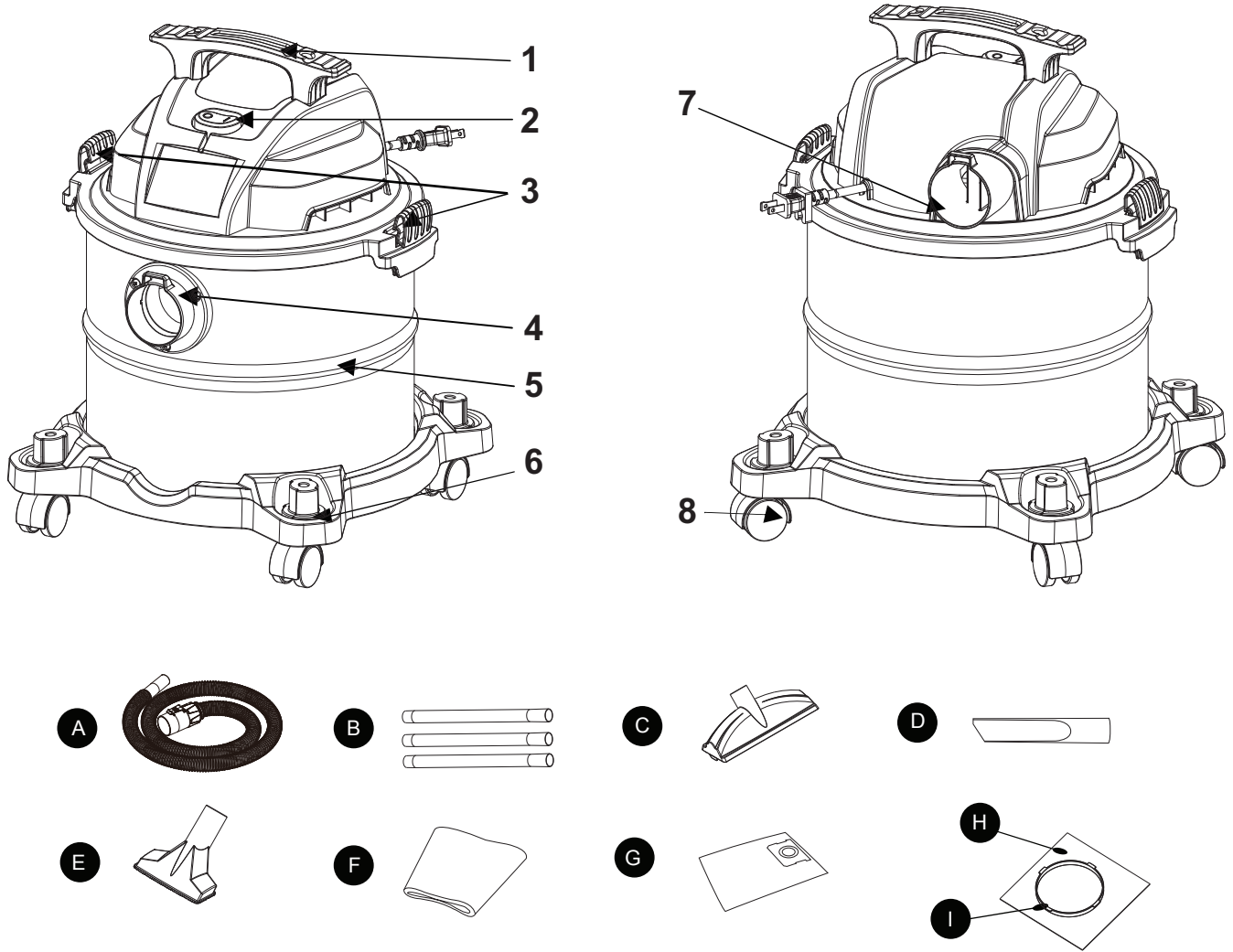
### **WARNING:**

Use only extension cords that are rated for outdoor use. Extension cords in poor condition or that are too small in wire size can pose fire and shock hazards.

To reduce the risk of these hazards when using an extension cord, be sure it is in good condition and that the connection does not come into contact with liquid. To keep power loss to a minimum, use the following table to choose the minimum wire size extension cord.

Extension Cord Length	Gauge A.W.G.
0 - 50 ft.	14
50 - 100 ft.	12

# PACKAGE CONTENTS



Part	Description	Qty
1	Handle	1
2	On/Off switch	1
3	Lid latch	2
4	Vacuum port	1
5	Dust tank	1
6	Dolly	1
7	Blowing port	1
8	Caster	4

Part	Description	Part No.	Qty
A	1-1/4" hose	13-3301	1
B	Extension wand	25-1205A	3
C	Floor nozzle	13-1570	1
D	Crevice nozzle	13-1508	1
E	Gulper nozzle	13-1588	1
F	Foam filter	19-1600	1
G	Disposable filter bag	19-3100	1
H	Resuable filter	19-1500	1
I	Clamp ring	19-1500	1



## SAFETY INFORMATION

---

### IMPORTANT SAFETY INSTRUCTIONS & GROUNDING INSTRUCTIONS

When using an electrical appliance, basic precautions should be always followed, including the following: **READ ALL INSTRUCTIONS BEFORE USING THIS APPLIANCE.**

#### **ATTENTION!**

Read all safety rules carefully before attempting to operate. Retain for future reference.

#### **DANGER!**

Never operate this unit when flammable materials or vapors are present because electrical devices produce arcs or sparks that can cause a fire or explosion.

**NEVER LEAVE OPERATING VACUUM UNATTENDED!**

#### **WARNING!**

**To reduce the risk of fire, electric shock, or injury:**

1. Do not leave appliance when plugged in. Unplug from outlet when not in use and before servicing. Connect to a properly grounded outlet only. See Grounding Instructions.
2. Do not expose to rain. Store indoors.
3. Always disconnect the plug from the wall outlet before removing the tank cover.
4. Do not allow to be used as a toy. Close attention is necessary when used by or near children.
5. Do not use with damaged cord or plug. If appliance is not working as it should, has been dropped, damaged, left outdoors or dropped into water, contact service center for assistance.
6. Do not: pull or carry by cord, use cord as a handle, close a door on cord or pull cord around sharp edges or corners. Do not run appliance over cord. Keep cord away from heated surfaces.
7. Do not unplug by pulling on cord. To unplug, grasp the plug, not the cord.
8. Do not handle plug or appliance with wet hands.
9. Do not put any object into openings. Do not use with any openings blocked; keep free of dust, lint, hair and anything that may reduce air flow.
10. Keep hair, loose clothing, fingers and all parts of body away from openings and moving parts.
11. Do not pick up anything that is burning or smoking, such as cigarettes, matches or hot ashes.
12. Do not use without dust bag and/or filters in place.
13. Turn off all controls before unplugging.
14. Use extra care when cleaning on stairs.
15. Do not use to pick up flammable or combustible liquids such as gasoline or use in areas where they may be present.
16. Do not use your cleaner as a sprayer of flammable liquids such as oil-based paint, lacquers, etc.
17. Do not vacuum toxic, carcinogenic, combustible or other hazardous materials such as asbestos, arsenic, barium, beryllium, lead, pesticides or other health endangering materials.
18. Do not pick up soot, cement, plaster or drywall dust without filter and dust bag in place. These are very fine particles that may affect the performance of the motor or be exhausted back into the air. Additional dust bags are available.
19. Do not leave the cord lying on the floor once you have finished the cleaning job. It can become a tripping hazard.
20. Use special care when emptying heavily loaded tanks.
21. To avoid spontaneous combustion, empty tank after each use.
22. The operation of a utility vac can result in foreign objects being blown into eyes, which can result in eye damage. Always wear safety goggles when operating vacuum.
23. **STAY ALERT.** Watch what you are doing and use common sense. Do not use vacuum cleaner when you are tired, distracted or under the influence of drugs, alcohol or medication causing diminished control.

**NOTE:** Use only as described in this manual. Use only manufacturer's recommended attachments.


## SAFETY INFORMATION

---

24. This appliance is provided with double insulation. Use only identical replacement parts. See instructions for servicing double insulated appliances.
25. Unplug before connecting the hose, nozzle and the like.

### WARNING!

#### **SERVICING OF DOUBLE-INSULATED WET/DRY VAC**

In a double-insulated Wet/Dry Vac, two systems of insulation are provided instead of grounding. No grounding means is provided on a double-insulated appliance, nor should a means for grounding be added. Servicing a double-insulated Wet/Dry Vac requires extreme care and knowledge of the system and should be done only by qualified service personnel. Replacement parts for a double-insulated Wet/Dry Vac must be identical to the parts they replace. Your double-insulated Wet/Dry Vac is marked with the words "DOUBLE INSULATED" and the symbol  (square within a square) may also be marked on the appliance.

To reduce the risk of injury from electrical shock, unplug power cord before servicing the electrical parts of the Wet/Dry Vac.

### **IMPORTANT!**

If the supply cord is damaged, it must be replaced by the manufacturer or its service agent or a similarly qualified person in order to avoid a hazard.

### **IMPORTANT!**

Remove the plug from the socket before performing maintenance. Before using the machine make sure that the frequency and voltage shown on the rating plate correspond with the mains voltage. Specifications and details are subject to change without prior notice. The accessories shown in the pictures may vary from model to model.

### **IMPORTANT SAFEGUARDS**

The symbol on the product or packaging indicates that the product must not be treated as domestic refuse. Instead, it should be handed in to a collection point for the recycling of electrical and electronic components. By ensuring the product is treated in the correct manner, you will help prevent any negative impact on the environment and health that might arise were the product to be discarded as ordinary refuse. For further information about recycling, you should contact your local authorities, refuse collection service or the sales outlet where you bought the goods.



### WARNING!

This product or its power cord may contain chemicals, including lead, known to the state of California to cause cancer and birth defects or other reproductive harm. **Wash hands after handling.**

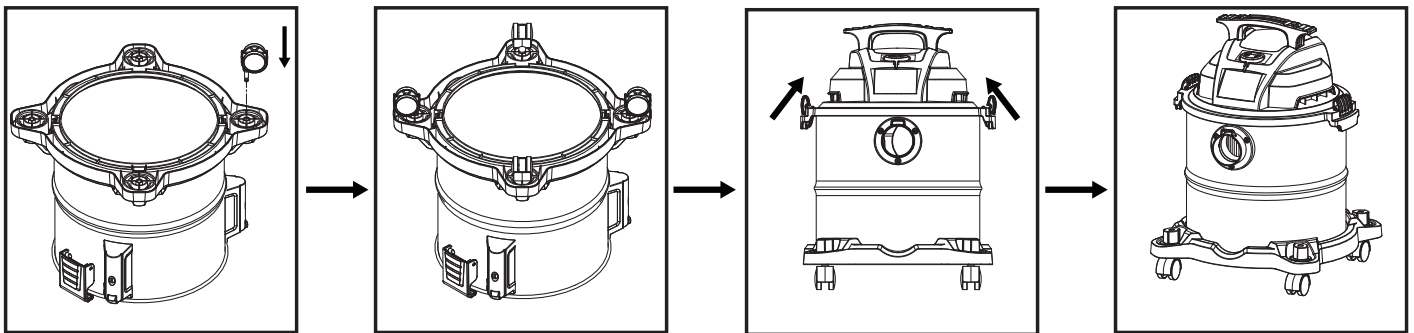
## OPERATING INSTRUCTIONS

### UNPACKING & SET-UP SUMMARY

1. Pull lid latches in an outward motion, remove power head and some accessories that may have been shipped in the tank.
2. Attach the casters according to the instruction in this manual.
3. Before replacing power head, refer to this manual to ensure you have the proper filters installed for your cleaning operation.
4. Replace power head, and apply pressure with thumb to each latch until it snaps tightly in place. Make sure all lid latches are clamped securely.
5. Insert the flexible hose end into inlet of tank.
6. Attach the extension wands to the accessory end of the hose. Apply slight pressure until fitting is tight.
7. Attach one of the cleaning accessories (depending on your cleaning requirements) on the extension wands. Twist slightly to tighten the connection.
8. Plug the cord into the wall outlet. Your vacuum is ready for use.

### CASTER ASSEMBLY

- Insert casters into dolly and snap them into place.



### **⚠ WARNING:**

To reduce the risk of fire or explosion, do not operate this vac in areas with flammable gases, vapors or explosive dust in the air. Flammable gases or vapors include but are not limited to: lighter fluid, solvent-type cleaners, oil-based paints, gasoline, alcohol or aerosol sprays. Explosive dusts include but are not limited to: coal, magnesium, aluminum, and grain or gun powder. Do not vacuum explosive dust, flammable or combustible liquids or hot ashes. Do not use this vac as a sprayer for any flammable or combustible liquid. To reduce the risk of health hazards from vapors or dusts, do not vacuum toxic materials.

### **⚠ WARNING:**

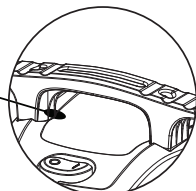
The operation of any utility vac can result in foreign objects being blown into the eyes, which can result in severe eye damage. Always wear safety eyewear complying with ANSI Z87.1 in USA or CSA Z94.3 in Canada before starting operation.

### **⚠ CAUTION:**

To reduce risk of hearing damage, wear ear protectors when using the vac for extended hours or when using it in a noisy area.

This vac is assembled at the factory and ready for use when you remove it from the carton. The unit is ready for dry vacuuming or blowing. After you plug the power cord into the wall receptacle, turn the unit "ON" by pushing the switch from position "O" to position "I". The "O" is the "OFF" position and the "I" is the "ON" position.

**O = OFF I = ON**



## OPERATING INSTRUCTIONS

### DRY PICK-UP

1. The filter must always be in correct position to reduce the risk of leaks and possible damage to vac. Make sure that the filter is completely covering the filter cage. Make sure there are no gaps between the filter and the lid. (See illustration). It is very important to assemble the filter to the cage without allowing any possible leaks or tears. Any leaks will allow the picked up debris to be blown out of the blowing port and back into the surrounding environment.
2. When using your vac to pick up very fine dust, it will be necessary to empty the dust tank and clean or replace the filter at more frequent intervals to maintain peak vac performance.

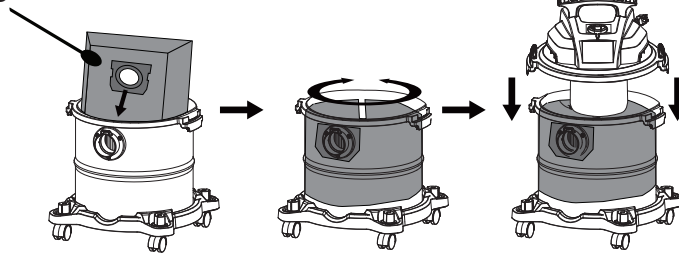
#### NOTE:

A dry filter is necessary to pick up dry material. If you use your vac to pick up dust when the filter is wet, the filter will clog quickly and be very difficult to clean. If the filter gets wet, replace it before continuing to do dry pickups.

### INSTALLING DISPOSABLE FILTER BAG

1. Slide the cardboard collar opening firmly onto the vacuum port deflector until it stops against the deflector wall.
2. Position the bag so that it is distributed around the inside of the tank.
3. Replace and secure the power head onto the tank.

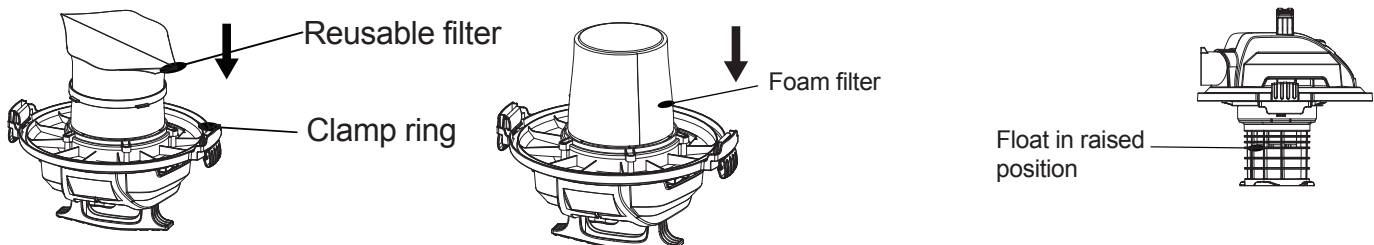
Disposable filter bag



### WET PICK-UP

1. Remove reusable filter and replace it with foam filter when you do wet pickups.
2. This wet/dry vac is equipped with a float mechanism which will rise automatically to cut off the airflow when the liquid in the tank reaches a predetermined level. When this happens, turn off vac, unplug the power cord, and empty the dust tank. You will know that the float has shut the airflow off because the suction ceases and the motor noise becomes higher in pitch due to increased motor speed. The liquid capacity may vary with the rate of pickup.

**IMPORTANT:** To reduce the risk of damage to the vac, do not run motor with float in raised position.





## OPERATING INSTRUCTIONS

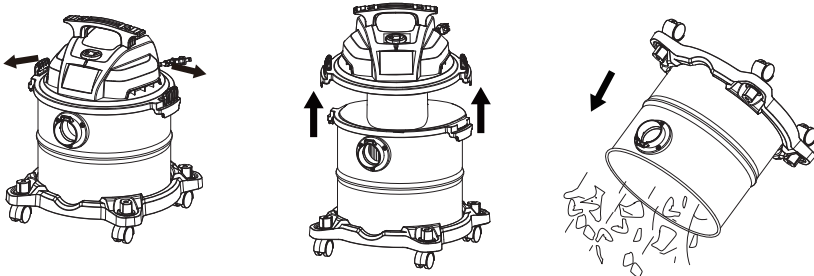
---

### EMPTY THE TANK

**⚠ WARNING:**

To reduce the risk of injury from accidental starting, unplug power cord before emptying the dust tank.

1. Remove the power head assembly of the wet/dry vac by pulling outward on the lid clips located on each side of the vac. Lift off the power head assembly.  
Dump the tank contents into the proper waste disposal container.



### BLOWING OPERATION

**⚠ WARNING:** Always wear safety eyewear complying with ANSI Z87.1 in USA or CSA Z94.3 in Canada when using as a blower.

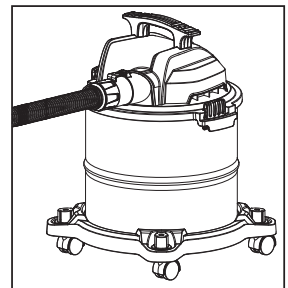
**⚠ WARNING:** To avoid injury to bystanders, keep them clear of blowing debris.

**⚠ CAUTION:** Wear a dust mask if blowing creates dust which might be inhaled.

**⚠ CAUTION:** To reduce the risk of hearing damage, wear ear protectors when using the vac/blower for extended hours or when using it in a noisy area.

Your vac contains a blowing feature. It has the capability to blow sawdust and other debris. It can be used to blow dust and debris out of garages or off patios and driveways. Follow the steps below to use your vac as a blower.

1. Locate blowing port on your vac.
2. Insert one end of the hose into the blowing port.
3. Turn vac "ON".





## CARE AND MAINTENANCE

---

### FILTER REPLACEMENT

**⚠ WARNING:** To reduce the risk of injury from accidental starting, unplug power cord before changing or cleaning filter.

Your filter should be cleaned often to maintain peak vac performance.

**IMPORTANT:** To avoid damage to the blower wheel and motor, always reinstall the reusable filter before using the vac for dry pickups and always reinstall the foam filter before using the vac for wet pickups.

**IMPORTANT:** After cleaning, check the filter for tears or small holes. Do not use a filter with holes or tears in it. Even a small hole can cause a lot of dust to come out of your vac. Replace it immediately.

**NOTE:** Before installing the filter on the vac, clean the area of the lid so that the clamp ring will seal the bag against the lid and stop small particles from bypassing the filter bag.

If the filter is clean and not damaged, replace it on the filter cage. If it cannot be reused, place a new filter over the filter cage.

**NOTE:**

Clean the filter in an open area. Cleaning should be done outdoors and not in living quarters.

**⚠ WARNING:** Do not remove filter cage and float. The float prevents water from entering the impeller and damaging the motor. The cage prevents fingers from touching the moving impeller.

### CLEANING

To keep your wet/dry vac looking its best, clean the outside with a cloth dampened with warm water and mild soap.

To clean the tank:

1. Dump out debris.
2. Wash tank thoroughly with warm water and mild soap.
3. Wipe out with dry cloth.

### STORAGE

Before storing your vac, the dust tank should be emptied and cleaned. The cord should be wrapped and hung on the unit and the accessories should be kept in the accessory holder so they can be readily available. The vac should be stored indoors.

### TROUBLESHOOTING

---

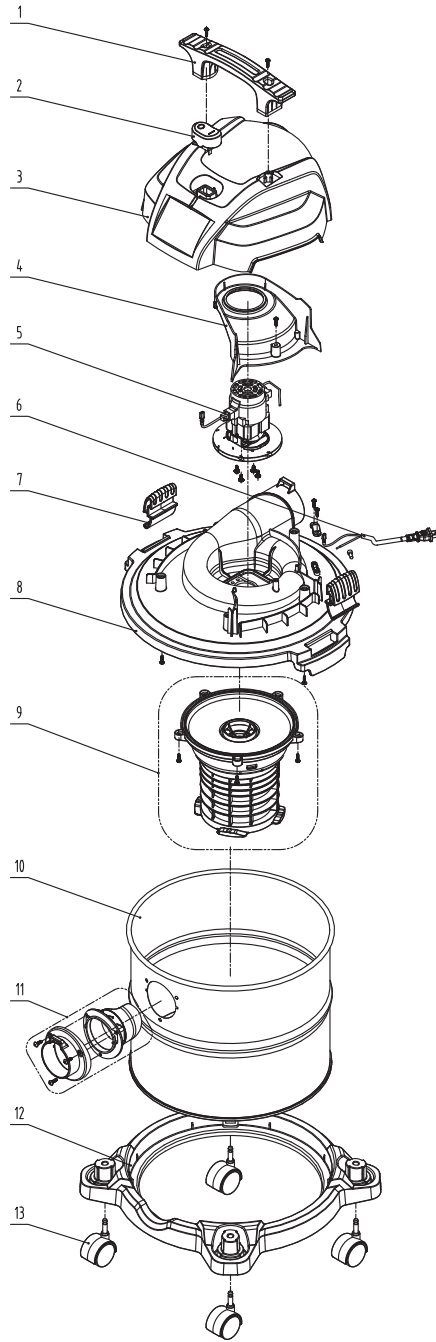
**⚠ WARNING!**

**TO REDUCE THE RISK OF INJURY FROM MOVING PARTS AND/OR ELECTRICAL SHOCK, TURN POWER SWITCH OFF AND DISCONNECT GROUNDED PLUG FROM ELECTRICAL OUTLET BEFORE PERFORMING TROUBLESHOOTING CHECKS.**

Minor problems often can be fixed without calling customer service.

PROBLEM	POSSIBLE CAUSE	CORRECTIVE ACTION
Vacuum will not run	No electricity	Make sure electrical outlet has voltage (A qualified electrician may need to be contacted)
Loss of suction, wet pick-up	1. Full tank 2. Clogged hose 3. Clogged filter	1. Drain and clean tank 2. Remove hose and clean debris 3. Clean or replace filter
Loss of suction, dry pick-up	1. Full tank 2. Clogged hose 3. Clogged filter	1. Drain and clean tank 2. Remove hose and clean debris 3. Clean or replace filter

# EXPLODED VIEW / PARTS LIST



PART	DESCRIPTION	QTY
1	Handle	1
2	On/off switch	1
3	Top cover	1
4	Thermal baffle	1
5	Motor	1
6	Power cord	1
7	Lid latches	2

PART	DESCRIPTION	QTY
8	Middle frame	1
9	Motor bottom support	1
10	Dust tank	1
11	Vacuum port	1
12	Caster dolly	1
13	Caster	4

## **Alton Industry Ltd. Group**

### **1 year Limited Warranty**

This warranty covers any defects in materials or workmanship of the enclosed product. Alton Industry Ltd. Group will repair or replace any defective materials due to craftsmanship of the product. This warranty does not cover any problem caused by misuse, abuse, accidents or acts of God, such as floods or hurricanes. Consequential and incidental damages are not covered under this warranty. Coverage terminates if you sell or otherwise transfer the ownership. If you feel you have a defective product, please submit a copy of your receipt to the address below and call 1-888-899-0146 for instructions prior returning this item to the store or sending back to:

Alton Industry Ltd. Group

1031 North Raddant Rd

Batavia, Illinois 60510

We will inspect the product and contact you within 72 hours to give you the results of our inspection. We reserve the right to repair or replace the product at our discretion.

However, we may replace the product with one of similar but not exact features.

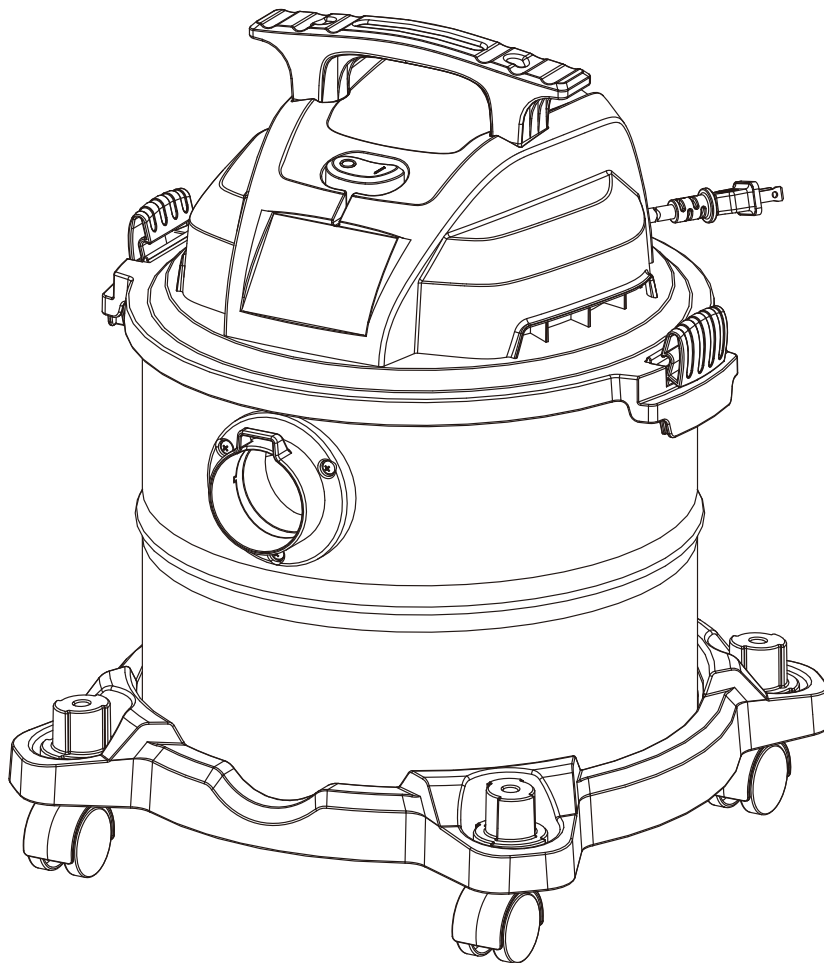
Parts and Service Information available call Alton Industry at 1-888-899-0146

This warranty gives you specific legal rights. You may have other rights which vary from state to state.

# STANLEY®

5 Gal (18,93 Liter)

## ASPIRATEUR POUR DÉCHETS SECS/HUMIDES MANUEL DE L'UTILISATEUR



**IMPORTANT: LIRE CE MANUEL AVANT  
D'UTILISER L'APPAREIL**

**Ligne sans frais pour les pièces de remplacement:  
1-888-899-0146**

**Alton Industry Ltd. Group - Tous droit réservés  
Fabriqué en Chine**

## **TABLE DES MATIÈRES**

Caractéristiques - - - - -	13
Contenu de l'emballage - - - - -	14
Consignes de sécurité - - - - -	15
Mode d'emploi - - - - -	17
Entretien - - - - -	20
Dépannage - - - - -	20
Vue éclatée et liste de pièces - - - - -	21
Garantie - - - - -	22

## **CARACTÉRISTIQUES DU PRODUIT**

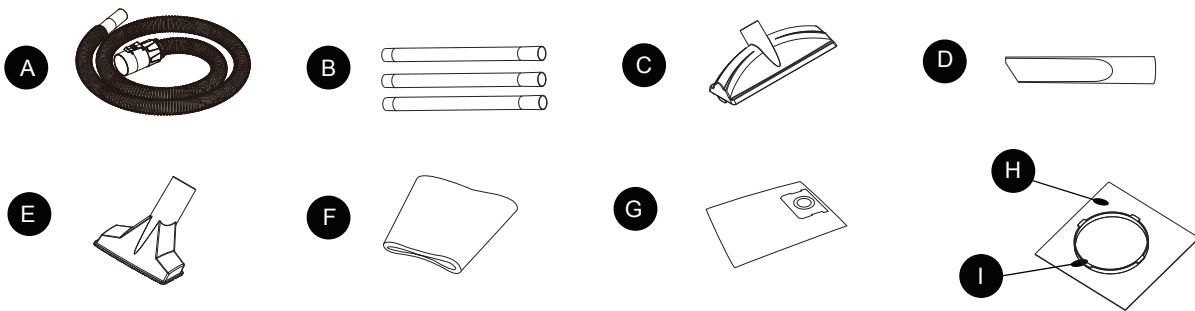
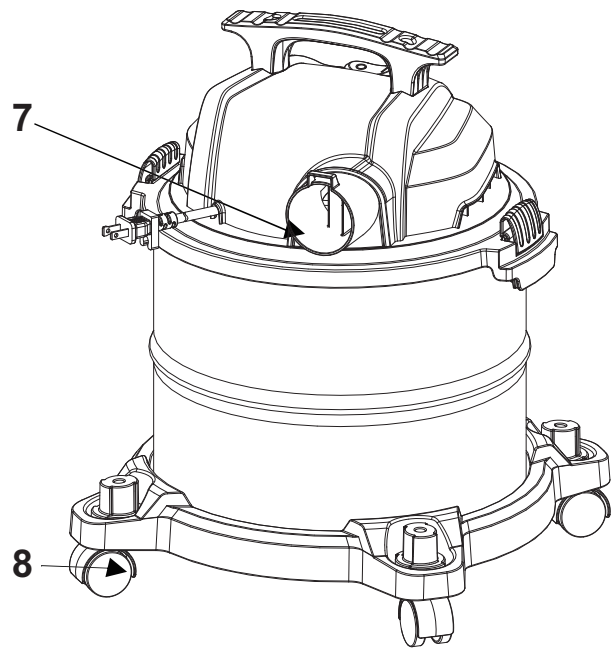
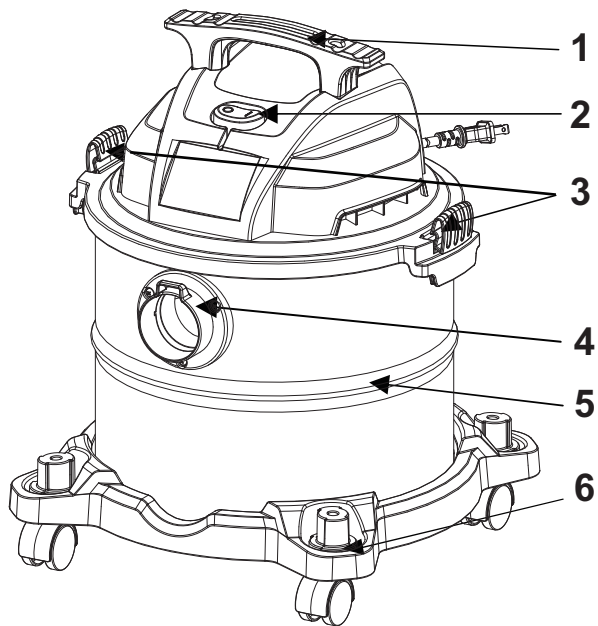
Alimentation	120 V/60 Hz/7 A
Moteur	À dérivation, à une phase
Capacité du réservoir	18,93 L
Tuyau	31,73 mm x 1.52 m
Cordon d'alimentation	SJTW18AWG, longueur de 3 m

### **AVERTISSEMENT :**

N'utilisez que les rallonges conçues pour une utilisation extérieure. L'utilisation de rallonges en mauvais état ou d'un calibre trop petit peut provoquer des incendies et des décharges électriques. Afin de réduire ces risques lors de l'utilisation d'une rallonge, assurez-vous qu'elle est en bon état et que le branchement n'entre pas en contact avec des liquides. Afin de réduire au minimum la perte de puissance, utilisez le tableau suivant pour déterminer la longueur minimale nécessaire de la rallonge.

Longueur de la rallonge	Calibre A.W.G.
0 à 15,24 m	14
15,24 à 30,48 m	12

## CONTENU DE L'EMBALLAGE



Pièce	Description	Quantité
1	Poignée Adhérence	1
2	Interrupteur	1
3	Deux Couvercle Loquat	2
4	Aspirateur Port	1
5	Bac à poussière	1
6	Chariot	1

Pièce	Description	Référence	Quantité
A	Tuyau flexible 1-1/4"	13-3301	1
B	Rallonges	25-1205A	3
C	Brosse de sol	13-1570	1
D	Suceur plat	13-1508	1
E	Buse à usages multiples	13-1588	1
F	Filtre en mousse	19-1600	1
G	Filtre jetable	19-3100	1
H	Filtre réutilisable	19-1500	1
I	Bague de serrage	19-1500	1



## CONSIGNES DE SÉCURITÉ

### CONSIGNES DE SÉCURITÉ IMPORTANTES ET INSTRUCTIONS POUR LA MISE À LA TERRE

Lorsque vous utilisez un appareil électrique, suivez toujours les consignes de sécurité suivantes :  
LISEZ TOUTES LES INSTRUCTIONS AVANT D'UTILISER L'APPAREIL.

#### **ATTENTION!**

Lisez attentivement toutes les règles de sécurité avant de tenter d'utiliser le produit. Conservez les instructions aux fins de consultation ultérieure.

#### **DANGER!**

N'utilisez jamais l'appareil en présence de matériaux ou de vapeurs inflammables, car les appareils électriques produisent des arcs ou des étincelles pouvant provoquer un incendie ou une explosion.

**NE LAISSEZ JAMAIS L'ASPIRATEUR EN MARCHE SANS SUPERVISION.**

#### **AVERTISSEMENT!**

**Afin de réduire les risques d'incendie, de choc électrique ou de blessure :**

1. Ne laissez pas l'appareil sans surveillance lorsqu'il est branché. Débranchez l'appareil de la prise lorsque vous ne l'utilisez pas et avant d'en effectuer l'entretien. Branchez le cordon uniquement sur une prise correctement mise à la terre. Consultez les instructions pour la mise à la terre.
2. N'exposez pas l'appareil à la pluie. Rangez-le à l'intérieur.
3. Débranchez toujours l'appareil de la prise murale avant de retirer le couvercle du réservoir.
4. Cet appareil ne doit pas être utilisé comme un jouet. Une surveillance étroite est de rigueur lorsque l'appareil est manipulé par des enfants ou à proximité de ces derniers.
5. N'utilisez pas l'appareil si le cordon d'alimentation ou la fiche sont endommagés. Si l'appareil ne fonctionne pas bien, s'il est tombé sur le sol ou dans l'eau, s'il est endommagé ou s'il est resté à l'extérieur, communiquez avec le centre de services pour obtenir de plus amples renseignements.
6. Évitez de tirer sur le cordon d'alimentation, de transporter l'appareil par le cordon, d'utiliser le cordon comme poignée, de coincer le cordon dans une porte ou de faire passer le cordon autour d'un rebord ou d'un coin coupant. Évitez de passer l'appareil sur le cordon. Tenez le cordon d'alimentation loin des surfaces chaudes.
7. Ne le débranchez pas en tirant sur le cordon. Pour le débrancher, saisissez la fiche et non le cordon d'alimentation.
8. Ne touchez pas à la fiche ni à l'appareil lorsque vous avez les mains mouillées.
9. Ne placez aucun objet dans les ouvertures. N'utilisez pas l'appareil lorsque les ouvertures sont bloquées. Assurez-vous que les ouvertures sont exemptes de poussière, de peluches, de cheveux ou de tout objet qui pourrait réduire le débit d'air.
10. Gardez les cheveux, les vêtements amples, les doigts et toutes les parties du corps loin des ouvertures et des pièces mobiles.
11. N'aspirez jamais d'objets brûlants ou fumants, par exemple une cigarette, une allumette ou des cendres chaudes.
12. N'utilisez pas l'appareil si le sac à poussière ou les filtres ne sont pas en place.
13. Réglez toutes les commandes en position d'arrêt (OFF) avant de débrancher l'appareil.
14. Redoublez de vigilance lorsque vous nettoyez des escaliers.
15. N'aspirez pas de liquides inflammables ou combustibles (par exemple, de l'essence) et n'utilisez pas l'appareil dans des zones où ces liquides peuvent être présents.
16. N'utilisez pas votre aspirateur pour pulvériser des liquides inflammables tels que des peintures à l'huile, des laques, etc.
17. N'aspirez pas de matières toxiques, cancérigènes ou inflammables, ni d'autres matières dangereuses pour la santé comme l'amiante, l'arsenic, le baryum, le béryllium, le plomb ou les pesticides.
18. N'aspirez pas de poussière de suie, de ciment, de plâtre ou de cloison sèche si le filtre et le sac à poussière ne sont pas en place. Il s'agit de particules très fines qui peuvent nuire à la performance du moteur ou être relâchées dans l'air. Des sacs à poussière supplémentaires sont offerts.
19. Ne laissez pas le cordon d'alimentation traîner sur le sol après avoir fini de passer l'aspirateur. Vous pourriez vous y prendre les pieds et trébucher.
20. Soyez particulièrement prudents lorsque vous videz des réservoirs lourdement chargés.
21. Afin d'éviter la combustion spontanée, videz le réservoir après chaque utilisation.
22. Un aspirateur pour matières sèches et liquides peut projeter des corps étrangers, présentant ainsi des risques de blessure aux yeux. Portez toujours des lunettes de sécurité lorsque vous utilisez l'aspirateur.
23. **DEMEUREZ VIGILANT.** Prêtez attention à ce que vous faites et faites preuve de bon sens. N'utilisez pas l'aspirateur lorsque vous ressentez de la fatigue, que vous êtes distrait ou que vous êtes sous l'effet de drogues, d'alcool ou de médicaments altérant vos capacités.

**REMARQUE :** Utilisez l'appareil uniquement pour l'usage prévu dans ce manuel.  
Utilisez uniquement les pièces recommandées par le fabricant.




## **CONSIGNES DE SÉCURITÉ**

---

24. Cet appareil comprend une double isolation. Utilisez uniquement des pièces de rechange identiques. Consultez les instructions pour en savoir plus sur l'entretien des appareils à double isolation.
25. Débranchez l'appareil avant d'y installer le tuyau, la buse et tout élément similaire.

### **AVERTISSEMENT!**

#### **ENTRETIEN D'UN ASPIRATEUR POUR MATIÈRES SÈCHES ET LIQUIDES À DOUBLE ISOLATION**

Un aspirateur pour matières sèches et liquides à double isolation comporte deux systèmes d'isolation plutôt qu'un système de mise à la terre. Un appareil à double isolation n'est pas mis à la terre et ne doit pas l'être. L'entretien d'un aspirateur pour matières sèches et liquides à double isolation exige une extrême prudence et une connaissance du système, et ne doit être effectué que par un technicien qualifié. Les pièces de rechange d'un appareil à double isolation doivent être identiques aux pièces d'origine de ce produit. Votre aspirateur pour matières sèches et liquides porte la mention « DOUBLE INSULATED » (double isolation), ainsi que le symbole  du carré dans le carré.

Pour réduire le risque de blessure par décharge électrique, débranchez le cordon d'alimentation avant d'effectuer l'entretien des éléments électriques de votre aspirateur eau et poussière.

#### **IMPORTANT!**

Si le cordon d'alimentation est endommagé, il doit être remplacé par le fabricant, par un de ses agents ou par une personne qualifiée afin d'écartier tout danger.

#### **IMPORTANT!**

Si le cordon d'alimentation est endommagé, il doit être remplacé par le fabricant, par un de ses agents ou par une personne qualifiée afin d'écartier tout danger.

Débranchez toujours cet appareil avant d'en effectuer l'entretien. Avant d'utiliser l'appareil, assurez-vous que la fréquence et que la tension indiquée sur l'étiquette correspondent à la tension électrique de la source d'alimentation principale. Les caractéristiques et les détails relatifs au produit sont modifiables sans préavis. Les accessoires illustrés dans le présent document peuvent varier d'un modèle à l'autre.

#### **MESURES DE SÉCURITÉ IMPORTANTES**

Le symbole apposé sur le produit et son emballage indique qu'il ne doit pas être jeté avec les déchets ménagers. Vous devez plutôt l'acheminer à un centre de recyclage des composants électriques et électroniques. Vous éviterez ainsi les incidences négatives sur l'environnement et sur la santé qu'occasionnerait la présence de ce produit dans les décharges publiques. Pour en savoir davantage sur le recyclage, veuillez communiquer avec votre administration municipale, votre service d'élimination des déchets ou le point de vente où vous vous être procuré le produit.



### **AVERTISSEMENT!**

Cet appareil et son cordon d'alimentation contiennent des produits chimiques, notamment du plomb, reconnus par l'État de la Californie comme étant la cause de cancers, d'anomalies congénitales et d'autres problèmes liés aux fonctions reproductrices. **Lavez-vous les mains après l'avoir manipulé.**

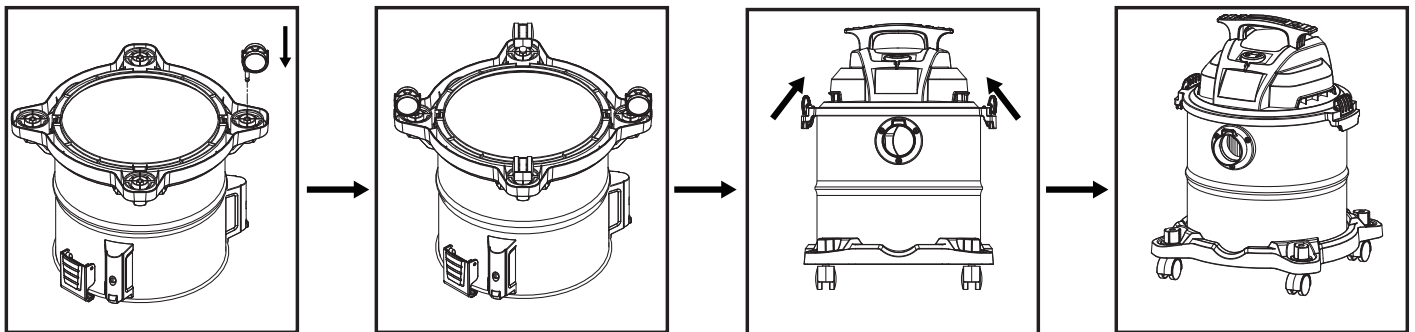
## MODE D'EMPLOI

### DÉBALLAGE ET ASSEMBLAGE

1. Tirer sur les mécanismes de verrouillage du couvercle vers l'extérieur, enlever la tête de l'appareil et retirer les accessoires qui ont peut-être expédiés dans le réservoir.
2. Fixer les roulettes selon les instructions de ce manuel.
3. Avant de replacer la tête de l'appareil, consulter les sections portant sur l'assemblage des filtres, l'assemblage de la tête et le fonctionnement afin de s'assurer que les bons filtres sont installés pour le nettoyage.
4. Replacer la tête du réservoir et appliquer une pression avec le pousseur sur chaque mécanisme de verrouillage du couvercle jusqu'à ce qu'il s'enclenche solidement. S'assurer que tous les mécanismes de verrouillage sont bien enclenchés.
5. Insérer l'extrémité du tuyau flexible dans l'entrée du réservoir.
6. Relier les rallonges à l'extrémité du tuyau destiné aux accessoires. Appliquez une légère pression jusqu'à ce qu'il soit ajusté.
7. Fixer l'un des accessoires de nettoyage (selon les besoins de nettoyage) aux rallonges. Tournez légèrement l'accessoire pour ajuster la connexion.
8. Brancher le cordon dans la prise murale. L'aspirateur est prêt à être utilisé.

### ROULETTE ENSEMBLE

- Insérez les roulettes dans les dolly.



#### **⚠ AVERTISSEMENT :**

Pour réduire le risque d'incendie ou d'explosion, n'utilisez pas cet aspirateur en présence de gaz, de vapeurs ou de poussières inflammables. Voici quelques exemples de gaz et de vapeurs inflammables: l'essence à briquet, les nettoyeurs de type solvants, les peintures à l'huile, l'essence, l'alcool ou les aérosols. Voici quelques exemples de poussières inflammables: le charbon, le magnésium, l'aluminium, les blocs de poudre ou la poudre noire. N'aspirez ni poussières, ni liquides inflammables, ni combustibles, ni cendres chaudes. N'utilisez pas cet aspirateur pour pulvériser des liquides inflammables ou combustibles. Afin de réduire les risques pour la santé associés aux vapeurs et aux poussières, n'aspirez pas de matériaux toxiques.

#### **⚠ AVERTISSEMENT :**

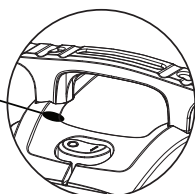
Tout aspirateur pour matières sèches et liquides peut projeter des corps étrangers, présentant ainsi des risques de blessure aux yeux. Mettez toujours des lunettes de sécurité conformes à la norme ANSI Z87.1 aux États-Unis ou à la norme CSA Z94.3 au Canada avant d'utiliser l'appareil.

#### **⚠ MISE EN GARDE :**

Afin de réduire les risques de dommage auditif, portez des protecteurs d'oreille lorsque vous utilisez l'aspirateur pendant de longues périodes ou dans un endroit bruyant.

Cet aspirateur pour matières sèches et liquides est assemblé à l'usine et prêt à l'emploi lorsque vous le retirez de l'emballage. L'appareil est prêt à aspirer ou à souffler des matières sèches. Après avoir branché le cordon d'alimentation dans la prise murale, allumez l'appareil en réglant l'interrupteur à la position « I ». Le « O » est la position « OFF » (arrêt) et le « I » est la position « ON » (marche).

O = OFF (arrêt)  
I = ON (marche)



## MODE D'EMPLOI

### ASPIRATION DES MATIÈRES SÈCHES

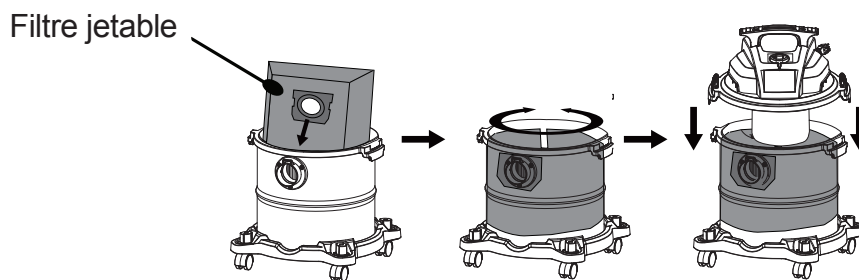
1. Le filtre doit toujours être dans la position appropriée afin de réduire les risques de fuite et d'éviter d'endommager l'aspirateur. Assurez-vous que le filtre couvre entièrement la cage du filtre près du couvercle que possible. Assurez-vous qu'il n'y a aucun espace entre le filtre et le couvercle (consultez l'illustration). Il est très important d'assembler le filtre et la cage de façon à ce qu'il n'y ait aucune fuite ou fissure possibles. Toute fuite permettrait aux débris ramassés d'être relâchés dans l'air environnant par l'orifice de soufflage.
2. Lorsque vous utiliserez votre aspirateur pour ramasser de la poussière très fine, il sera nécessaire de vider le réservoir à poussière et de nettoyer ou de remplacer le filtre fréquemment afin d'assurer le rendement optimal de l'aspirateur.

#### REMARQUE :

Un filtre sec est nécessaire pour aspirer des matières sèches. Si vous utilisez votre aspirateur pour ramasser de la poussière alors que le filtre est mouillé, le filtre s'obstruera rapidement et sera très difficile à nettoyer. Si le filtre devient mouillé pendant l'utilisation de l'aspirateur, remplacez-le avant de continuer à ramasser des matières sèches.

### INSTALLATION DU FILTRE JETABLE

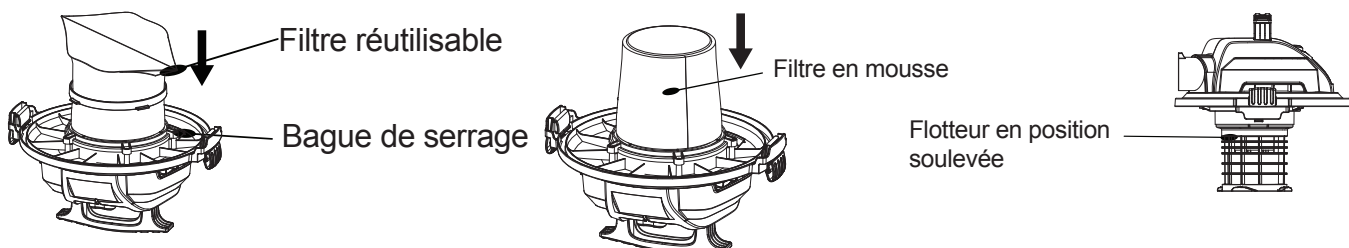
1. Prenez l'anneau de carton entourant l'ouverture du filtre, et faites-le fermement glisser sur le déflecteur de l'orifice d'aspiration, jusqu'à ce que la butée de ce déflecteur l'arrête.
2. Placez le filtre de façon à ce qu'il soit bien distribué à l'intérieur du réservoir.
3. Remplacez et fixez la partie supérieure de l'aspirateur sur le réservoir.



### RAMASSAGE DE DÉTRITUS HUMIDES

1. Retirez le filtre réutilisable et remplacez-le par un filtre en mousse lorsque vous procédez à l'aspiration de matières liquides.
2. Cet aspirateur pour matières sèches et liquides est équipé d'un mécanisme à flotteur, qui se soulève automatiquement pour bloquer le flux d'air lorsque le liquide dans le réservoir atteint un niveau prédéterminé. Lorsque cette situation se produit, éteignez l'aspirateur, débranchez le cordon d'alimentation et videz le réservoir à poussière. Vous serez prévenu du blocage du flux d'air par le flotteur, car l'aspiration cesse alors et le moteur émet un son plus aigu en raison de sa vitesse accrue. La quantité de liquide peut varier selon le taux d'aspiration.

**IMPORTANT :** Afin d'éviter d'endommager l'aspirateur, ne faites pas fonctionner le moteur lorsque le flotteur est soulevé.



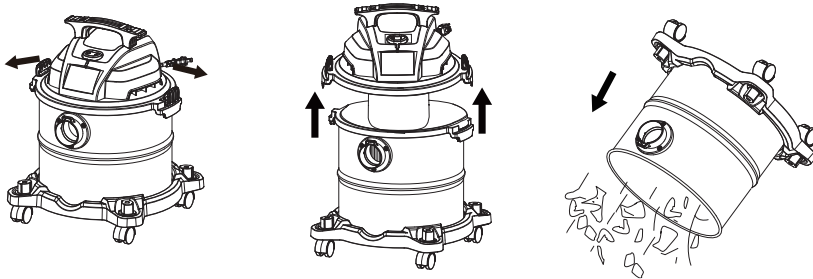
## MODE D'EMPLOI

### VIDER LE RÉSERVOIR

#### ⚠ AVERTISSEMENT :

Pour réduire les risques de blessures causées par une mise en marche accidentelle, débranchez le cordon d'alimentation avant de vider le réservoir à poussière.

1. Détachez la partie supérieure de l'aspirateur pour matières sèches et liquides en tirant sur les attaches du couvercle situées de chaque côté de l'appareil. Retirez la partie supérieure de l'aspirateur. Videz le contenu du réservoir dans le conteneur à déchet approprié.



### SOUFFLAGE

⚠ **AVERTISSEMENT** : Portez toujours des lunettes de sécurité conformes à la norme ANSI Z87.1 aux États-Unis ou à la norme CSA Z94.3 ou Canada lorsque vous utilisez l'aspirateur pour souffler des matières.

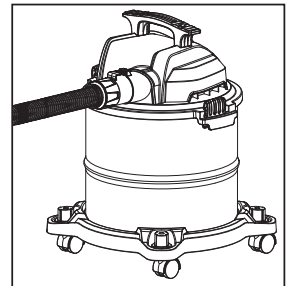
⚠ **AVERTISSEMENT** : Afin de ne pas blesser de passants, évitez de souffler des débris dans leur direction.

⚠ **MISE EN GARDE** : Portez un masque antipoussières si le soufflage produit de la poussière que vous êtes susceptible d'inhaler.

⚠ **MISE EN GARDE** : Afin de réduire les risques de dommage auditif, portez des protecteurs d'oreille lorsque vous utilisez la fonction de soufflage de l'aspirateur pendant de longues périodes ou dans un endroit bruyant.

Votre aspirateur est doté d'une fonction de soufflage. Il a la capacité de souffler la sciure de bois et d'autres débris. L'aspirateur peut être utilisé pour souffler la poussière et les débris à l'extérieur des garages, des terrasses ou des entrées. Suivez les étapes ci-dessous pour utiliser la fonction de soufflage de votre aspirateur.

1. Repérez l'orifice de soufflage sur votre aspirateur.
2. Insérez une extrémité du tuyau de 3,18 cm x 3 m dans l'orifice de soufflage.
3. Allumez l'aspirateur.



## ENTRETIEN

### REPLACEMENT DU FILTRE

**▲ AVERTISSEMENT** : Pour réduire les risques de blessures causées par une mise en marche accidentelle, débranchez le cordon d'alimentation avant de changer ou de nettoyer le filtre. Pour assurer le rendement optimal de l'aspirateur, nettoyez le filtre fréquemment.

**IMPORTANT** : Afin d'éviter d'endommager la roue de soufflage et le moteur, installez toujours le filtre réutilisable avant d'utiliser l'aspirateur pour ramasser des matières sèches et le filtre en mousse pour ramasser des matières liquides.

**IMPORTANT** : Après avoir passé l'aspirateur, vérifiez si le filtre a des fissures ou de petits trous. N'utilisez pas un filtre qui comporte des trous ou des fissures. Même un petit trou peut laisser sortir beaucoup de poussière hors de votre aspirateur. Remplacez immédiatement le filtre.

**REMARQUE** : Avant d'installer le filtre dans l'aspirateur, nettoyez le couvercle de façon à ce que la bague de serrage scelle le sac sur le couvercle et empêche les petites particules de contourner le filtre.

Si le filtre est propre et en bon état, remplacez-le sur la cage du filtre. S'il ne peut être réutilisé, placez un nouveau filtre sur la cage du filtre.

#### REMARQUE :

Nettoyez le filtre dans un endroit ouvert. Le nettoyage doit se faire à l'extérieur et non pas dans un logement.

**▲ AVERTISSEMENT** : Ne retirez pas la cage du filtre ni le flotteur. Le flotteur empêche l'eau de pénétrer dans la turbine, ce qui endommagerait le moteur. La cage permet d'éviter que vos doigts entrent en contact avec la turbine en mouvement.

### NETTOYAGE

Pour garder votre aspirateur eau et poussière en bon état, nettoyez l'extérieur avec un linge imbibé d'eau tiède et un savon doux.

Pour nettoyer le réservoir :

1. Videz les débris.
2. Lavez soigneusement le réservoir avec de l'eau tiède et un savon doux.
3. Essuyez avec un linge propre.

### RANGEMENT

Avant de ranger votre aspirateur, vous devez vider et nettoyer le réservoir à poussière. Le cordon doit être enroulé et suspendu à l'appareil, et les accessoires doivent être rangés sur le support prévu à cet effet afin qu'ils soient facilement accessibles. L'aspirateur doit être rangé à l'intérieur.

### DÉPANNAGE

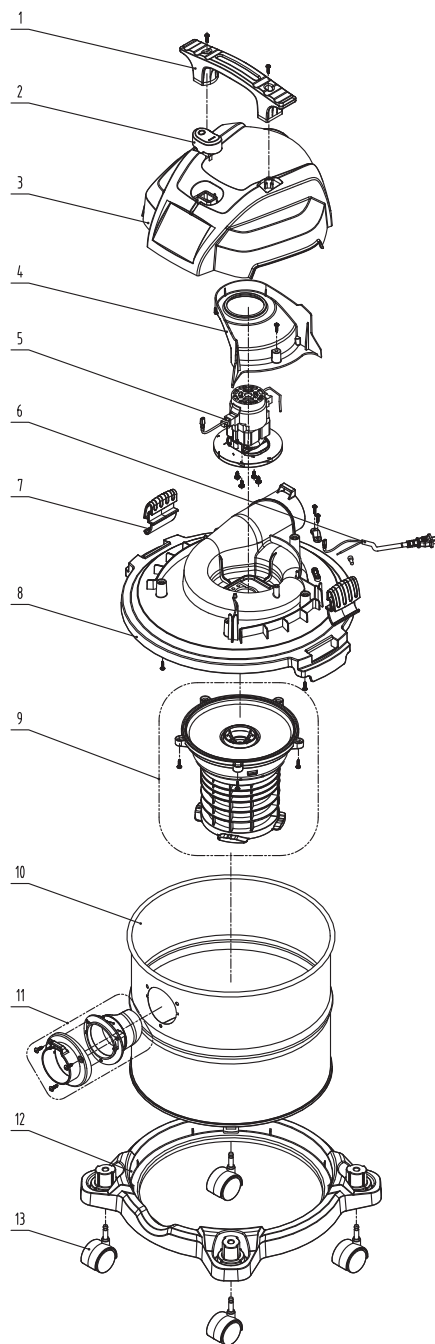
#### ▲ AVERTISSEMENT!

**POUR RÉDUIRE LES RISQUES DE CHOC ÉLECTRIQUE OU DE BLESSURE PAR DES PIÈCES MOBILES, ÉTEIGNEZ L'APPAREIL ET DÉBRANCHEZ LA FICHE DE LA PRISE DE COURANT AVANT DE RÉPARER L'APPAREIL OU D'EN EFFECTUER L'ENTRETIEN.**

Les problèmes mineurs peuvent souvent être réglés sans l'aide du service à la clientèle.

PROBLÈME	CAUSE POSSIBLE	MESURE CORRECTIVE
L'aspirateur ne fonctionne pas.	Pas d'alimentation électrique.	Assurez-vous que la prise de courant est alimentée (vous devrez peut-être faire appel à un électricien)
L'aspiration est réduite lors du ramassage des matières liquides.	1. Le réservoir est plein. 2. Le tuyau est obstrué. 3. Le filtre est obstrué.	1. Videz et nettoyez le réservoir. 2. Retirez le tuyau et enlevez les débris. 3. Nettoyez ou remplacez le filtre.
L'aspiration est réduite lors du ramassage des matières sèches.	1. Le réservoir est plein. 2. Le tuyau est obstrué. 3. Le filtre est obstrué.	1. Videz et nettoyez le réservoir. 2. Retirez le tuyau et enlevez les débris. 3. Nettoyez ou remplacez le filtre.

## VUE ÉCLATÉE ET LISTE DE PIÈCES



Pièce	Description	Quantite
1	Poignée adhérence	1
2	Interrupteur	1
3	Couvercle supérieur	1
4	Défecteur thermique	1
5	Moteur	1
6	Cordon d'alimentation	1
7	Loquet du couvercle	2

Pièce	Description	Quantite
8	Armature intermédiaire	1
9	Base de moteur	1
10	Bac à poussière	1
11	Aspirateur port	1
12	Roulette chariot	1
13	Roulette	4



## **Alton Industry Ltd. Group**

### **Garantie limitée de 1 an**

Cette garantie couvre tout défaut de matériel ou de main-d'œuvre de ce produit. Alton Industries Ltd. Group réparera ou remplacera tout matériel ayant un défaut de fabrication. Cette garantie ne couvre pas tout problème causé par la mauvaise utilisation, l'abus, les accidents ou les catastrophes naturelles, telles que les inondations ou les ouragans. De plus, les dommages indirects ou accessoires ne sont pas couverts par cette garantie. La couverture prend fin si le produit est vendu ou transféré d'une quelconque façon. Si le produit semble défectueux, soumettre une copie du reçu à l'adresse indiquée ci-dessous et téléphoner au 1-888-899-0146 pour obtenir des instructions avant de retourner ce produit au magasin ou à :

Alton Industry Ltd. Group

1031 North Raddant Rd

Batavia, Illinois 60510

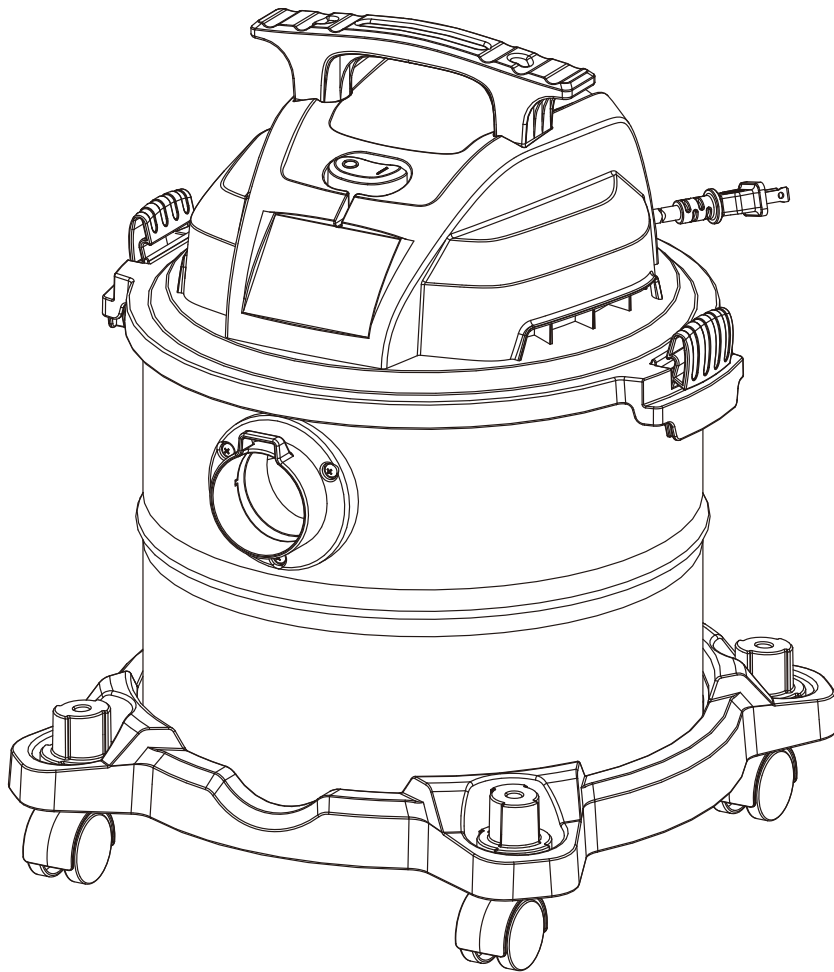
Nous inspecterons le produit et communiquerons avec vous dans les 72 heures pour vous faire part des résultats de notre vérification. Nous nous réservons le droit de réparer ou remplacer le produit à notre discrétion. Néanmoins, nous pouvons remplacer le produit par un autre produit similaire, mais n'ayant pas exactement les mêmes caractéristiques.

Pour obtenir des renseignements sur les pièces et le service téléphoner au, 1-888-899-0146. Cette garantie vous donne des droits spécifiques; il se peut que vous ayez d'autres droits, car ils varient d'un État à l'autre.



# STANLEY®

**5 Gal (18,93 Liter)  
ASPIRADORA PARALIQUIDOS Y SOLIDOS  
MANUAL DE USUARIO**



**IMPORTANTE: ¡LEA EL MANUAL DEL USUARIO  
ANTES DE UTILIZAR SU ASPIRADORA!**

**Línea de asistencia gratuita para piezas de reemplazo:  
1-888-899-0146**

**Alton Industry Ltd. Group - Reservados todos los derechos  
Fabricado en CHINA**

## ÍNDICE

---

Especificaciones - - - - -	24
Contenido del paquete - - - - -	25
Información de seguridad - - - - -	26
Instrucciones de funcionamiento - - - - -	27
Cuidado y mantenimiento - - - - -	31
Solución de problemas - - - - -	31
Vista detallada y lista de piezas - - - - -	32
Garantía - - - - -	33

## ESPECIFICACIONES DEL PRODUCTO

---

Potencia	120 V/60 Hz/7 A
Motor	Con derivación, de una sola fase
Capacidad del tanque	18,93 litros
Manguera	3,18 cm x 1,52 m
Cable de alimentación	SJTW18AWG / 3 m largo

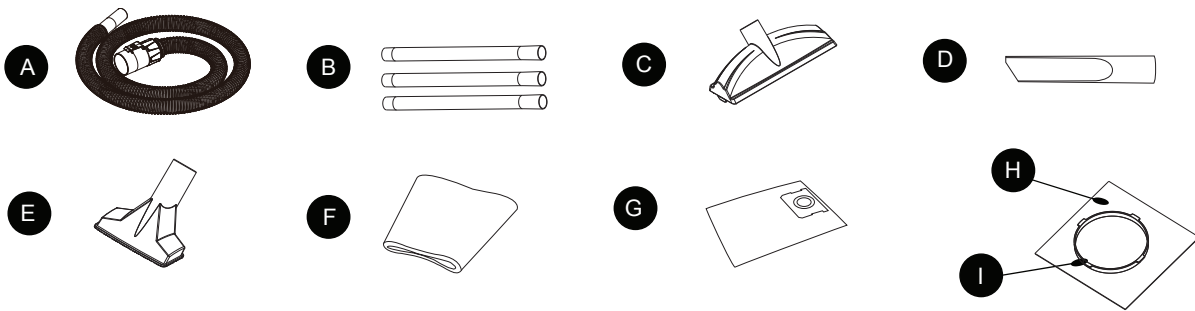
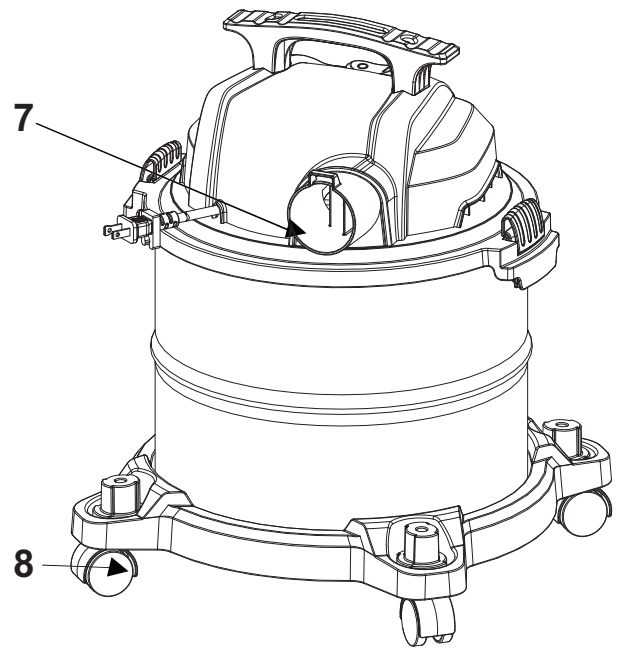
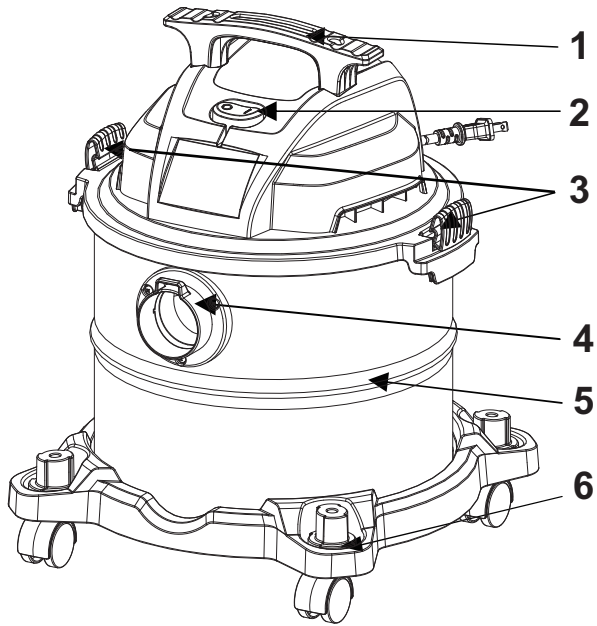
### ADVERTENCIA:

Use solo extensiones eléctricas calificadas para uso en exteriores. Las extensiones eléctricas en malas condiciones o de tamaño muy pequeño pueden constituir peligro de incendios y descargas eléctricas.

Para reducir el riesgo de estos peligros al usar una extensión eléctrica, asegúrese de que esta esté en buenas condiciones y de que la conexión no entre en contacto con líquidos. Para mantener la pérdida de energía al mínimo, use la siguiente tabla para escoger el tamaño de cable mínimo de la extensión eléctrica.

Largo de la extensión eléctrica	Calibre A.W.G.
0 a 15,24 m	14
15,24 a 30,48 m	12

## CONTENIDO DEL PAQUETE



Artículo	Descripción	Cantidad
1	Manejar	1
2	Interruptor	1
3	Dos tapa pestillo	2
4	De vacío de puerto	1
5	Depósito de polvo	1
6	De dolly	1
7	Puerto de soplado	1
8	Rueda	4

Artículo	Descripción	Número de pieza	Cantidad
A	1-1/4" Tubo flexible	13-3301	1
B	Tubo extensión	25-1205A	3
C	Cepillo de suelo	13-1570	1
D	Pico esquinero	13-1508	1
E	Boquilla ancha	13-1588	1
F	Filtro de espuma	19-1600	1
G	Bolsa de filtro desechable	19-3100	1
H	Filtro reutilizable	19-1500	1
I	Arode la abrazadera	19-1500	1



## INFORMACIÓN DE SEGURIDAD

---

### INSTRUCCIONES IMPORTANTES DE SEGURIDAD E INSTRUCCIONES DE PUESTA A TIERRA

Cuando use electrodomésticos, siempre debe tomar las medidas de precaución básicas, incluidas las siguientes: **LEA TODAS LAS INSTRUCCIONES ANTES DE USAR ESTE ELECTRODOMÉSTICO.**

#### ¡ATENCIÓN!

Lea atentamente todas las reglas de seguridad antes de intentar operar la aspiradora. Guarde estas instrucciones para referencia futura.

#### ¡PELIGRO!

Nunca opere esta unidad si hay materiales o vapores inflamables presentes, ya que los dispositivos eléctricos producen arcos o chispas que pueden producir un incendio o una explosión.

### ¡NUNCA DEJE LA ASPIRADORA EN FUNCIONAMIENTO SIN SUPERVISIÓN!

#### ¡ADVERTENCIA!

**Para reducir el riesgo de incendio, descargas eléctricas o lesiones:**

1. No deje el electrodoméstico enchufado. Desenchúfelo del tomacorriente cuando no esté en uso y antes de repararlo. Conéctelo solo a un tomacorriente con la debida puesta a tierra. Consulte las instrucciones de puesta a tierra.
2. No lo exponga a la lluvia. Guárdelo en interiores.
3. Siempre desconecte el enchufe del tomacorriente antes de retirar la cubierta del tanque.
4. No permita que se use como un juguete. Es necesaria una estricta supervisión cuando los niños utilicen la aspiradora o estén cerca de ella.
5. No la utilice si el enchufe o el cable están dañados. Si el electrodoméstico no está funcionando bien, sufrió caídas, se dañó, se dejó en el exterior o cayó en el agua, póngase en contacto con un centro de servicios para obtener ayuda.
6. No: Jale la aspiradora ni la transporte del cable, no use el cable como manija, no cierre puertas sobre el cable ni jale del cable alrededor de esquinas o bordes filosos. No pase el electrodoméstico por sobre el cable. Mantenga el cable alejado de superficies calientes.
7. No jale del cable para desenchufarlo. Para desenchufarlo, tome el enchufe, no el cable.
8. No manipule el enchufe ni el electrodoméstico con las manos mojadas.
9. No coloque ningún objeto en las aberturas. No la use con ninguna abertura bloqueada. Mantenga libre de polvo, pelusas, cabellos o cualquier objeto que pueda reducir el flujo de aire.
10. Mantenga el cabello, las ropas holgadas, los dedos y todas las partes del cuerpo lejos de aberturas y piezas en movimiento.
11. No aspire objetos encendidos o humeantes, tales como cigarrillos, fósforos o cenizas calientes.
12. No la utilice si la bolsa para polvo o el filtro no están en su lugar.
13. Apague todos los controles antes de desenchufar.
14. Tenga sumo cuidado cuando limpie sobre escaleras.
15. No la use para aspirar líquidos inflamables o combustibles como gasolina, ni la use en áreas en que estos estén presentes.
16. No use su aspiradora como rociador de líquidos inflamables como pinturas a base de aceite, lacas, etc.
17. No aspire materiales tóxicos, cancerígenos, combustible u otros materiales peligrosos como asbesto, arsénico, bario, plomo, pesticidas u otros que constituyan riesgo para la salud.
18. No recoja hollín, cemento, yeso o polvo de panel de yeso sin el filtro y la bolsa para polvo en su lugar. Estas son partículas muy finas que afectan el funcionamiento del motor o pueden devolverse al aire. Hay bolsas para polvo adicionales disponibles.
19. No deje el cable en el piso una vez terminado el trabajo de limpieza. Se puede transformar en un peligro de tropiezo.
20. Tenga especial cuidado al vaciar tanques con cargas pesadas.
21. Para evitar la combustión espontánea, vacíe el tanque antes de cada uso.
22. El funcionamiento una aspiradora para uso general soplar objetos extraños a los ojos del operador y, de esta manera, causar graves daños oculares. Siempre use gafas de seguridad al usar una aspiradora.
23. **MANTÉNGASE ALERTA.** Presta atención a lo que hace y utilice el sentido común. No use la aspiradora si está cansado, distraído o bajo la influencia de alcohol, drogas o medicamentos que causen una disminución del control.

NOTA: Utilícelo solo como se describe en este manual. Use solo los accesorios recomendados por el fabricante.


## INFORMACIÓN DE SEGURIDAD

---

24. Este electrodoméstico se proporciona con doble aislamiento. Utilice solo piezas de repuesto idénticas a las de fabricación. Consulte las instrucciones para dar mantenimiento a electrodomésticos con doble aislamiento.
25. Desenchufe antes de conectar la manguera, boquilla y similares.

### ¡ADVERTENCIA!

#### **MANTENIMIENTO DE UNA ASPIRADORA PARA SECO Y MOJADO CON DOBLE AISLAMIENTO**

En una aspiradora para seco y mojado con doble aislamiento cuentan con dos sistemas de aislamiento en lugar de una conexión a tierra. Los electrodomésticos con doble aislamiento no cuentan con un medio de puesta a tierra ni se le debe agregar uno. El mantenimiento de una aspiradora para seco y mojado con doble aislamiento requiere extremo cuidado y amplios conocimientos del sistema, por lo que solo debe estar a cargo de personal de mantenimiento calificado. Las piezas de repuesto para una aspiradora para seco y mojado con doble aislamiento deben ser idénticas a las piezas que reemplazan. Su aspiradora para seco y mojado con doble aislamiento está marcada con las palabras “DOBLE AISLAMIENTO” y el símbolo  (cuadrado dentro de otro cuadrado) puede estar marcado sobre el electrodoméstico.

Para reducir el riesgo de lesiones provocadas por descargas eléctricas, desenchufe el electrodoméstico antes de realizar el mantenimiento a las piezas eléctricas de la con aspiradora para seco y mojado.

#### **¡IMPORTANTE!**

Si el cable de alimentación está dañado, este debe ser reemplazado por el fabricante, su empresa de servicio o una persona con calificación similar para evitar peligros.

#### **¡IMPORTANTE!**

Desconecte el enchufe del tomacorriente antes de realizar mantenimiento. Antes de usar la máquina, asegúrese de que la frecuencia y el voltaje indicado en la placa de calificaciones corresponda con el voltaje. Las especificaciones y los detalles están sujetos a cambio sin previo aviso. Los accesorios que se muestran en las imágenes pueden variar de un modelo a otro.

#### **MEDIDAS DE SEGURIDAD IMPORTANTES**

El símbolo en el producto o el paquete indica que el producto usado no se debe considerar parte de los desechos domésticos. En cambio, este debe llevarse a un punto de recolección para el reciclaje de componentes eléctricos y electrónicos. Al garantizar que el producto se trató de la manera correcta, ayudará a evitar cualquier impacto negativo sobre el medio ambiente y la salud que podría originarse si el producto se eliminara como desecho ordinario. Para obtener más información sobre el reciclaje, póngase en contacto con sus autoridades locales, su servicio de recolección de desechos o el punto de venta donde lo compró.



### ¡ADVERTENCIA!

Este producto o su cable eléctrico pueden contener sustancias químicas, incluido plomo, reconocidas por el estado de California como causantes de cáncer, defectos congénitos y otros daños en el aparato reproductivo. **Lávese las manos después de manipularlo.**

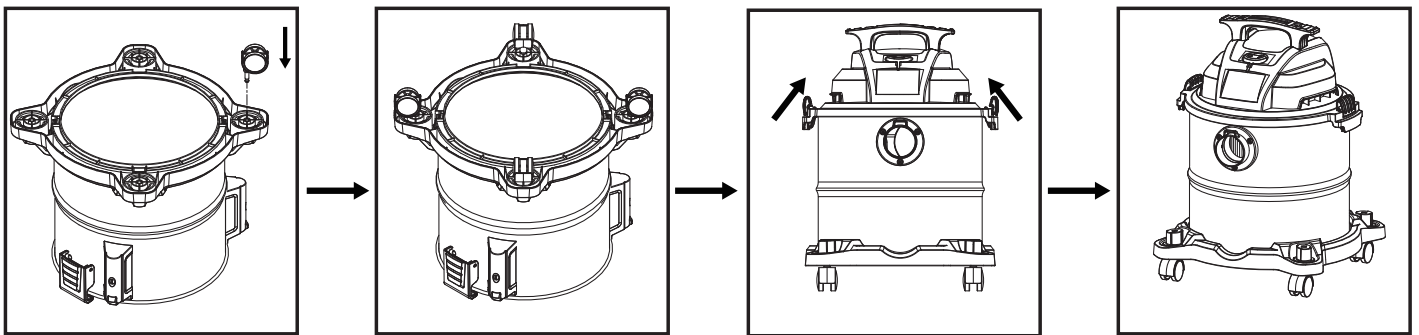
## INSTRUCCIONES DE FUNCIONAMIENTO

### DESEMBALAJE Y CONFIGURACIÓN

1. Libere la traba de la tapa con un movimiento hacia el exterior, retire la tapa y algunos accesorios que podrían expedirse en el tanque.
2. Ensamble las ruedas siguiendo las instrucciones en este manual.
3. Antes de colocar la tapa con el motor, consulte este manual para asegurarse de que tiene los filtros apropiados instalados para la limpieza.
4. Coloque la tapa con el motor y presione con el pulgar en cada traba hasta que cierre firmemente en su lugar. Asegúrese de que todas las trabas sujetan firmemente la tapa.
5. Inserte el extremo de la manguera flexible en la entrada del tanque.
6. Conecte las extensiones al extremo de la manguera. Appliquez une légère pression jusqu'à ce montage est serré.
7. Conecte uno de los accesorios para limpieza(según sus necesidades de limpieza) en el extremo libre de la extensión.
8. Conecte el cable eléctrico en el tomacorriente de pared. Su aspiradora esta lista para usarr.

### RUEDA MONTAJE

- Inserte la rueda en las sufridera.



### ▲ ADVERTENCIA:

Para reducir el riesgo de explosión, no use esta aspiradora en áreas donde haya gases o vapores inflamables o polvo explosivo en el aire. Los gases o vapores inflamables incluyen, entre otros: Líquidos de encendedores, limpiadores tipo solvente, pinturas a base de aceite, gasolina, alcohol y rociadores en aerosol. Los polvos explosivos incluyen, entre otros: Carbón, magnesio, aluminio y pólvora o pólvora cilíndrica. No aspire polvos explosivos, líquidos inflamables o combustibles ni cenizas calientes. No use esta aspiradora como rociador de líquidos inflamables o combustibles. Para reducir el riesgo de peligros para la salud debido a vapores o polvo, no aspire materiales tóxicos.

### ▲ ADVERTENCIA:

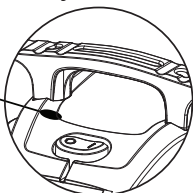
El funcionamiento de cualquier aspiradora para uso general puede soplar objetos extraños a los ojos del operador y, de esta manera, causar graves daños oculares. Siempre use gafas de seguridad que cumplan con ANSI Z87.1 eu EE.UU o con CSA Z94.3 en Canadá antes de comenzar la operación.

### ▲ PRECAUCIÓN:

Para reducir el riesgo de daños auditivos, use protectores para los oídos cuando use la aspiradora por varias horas o en un entorno bullicioso.

Esta aspiradora para seco/mojado está ensamblada de fábrica y lista para usarse al retirarse de la caja. La unidad está lista para el aspirado o soplado en seco. Después de enchufar el cable de alimentación en el tomacorriente de pared, coloque la unidad en la posición de "ENCENDIDO" presionando el interruptor desde la posición "O" a la posición "I". La marca "O" es la posición de "APAGADO" y la "I" es la posición de "ENCENDIDO".

O = APAGADO  
I = ENCENDIDO





## INSTRUCCIONES DE FUNCIONAMIENTO

### ASPIRADO EN SECO

1. El filtro debe estar siempre en la posición correcta para reducir el riesgo de fugas y posibles daños a la aspiradora. Asegúrese de que el filtro esté cubriendo completamente la caja del filtro y que el aro de la abrazadera esté lo más cerca posible de la tapa. Asegúrese de que no haya espacios entre el filtro y la tapa. (Consulte la ilustración). Es muy importante ensamblar el filtro a la caja sin dejar ninguna fuga o gotera. Cualquier fuga permitirá que la suciedad aspirada sea soplada hacia fuera del puerto de soplado y de vuelta en el aire.
2. Cuando use su aspiradora para aspirar polvo fino, será necesario vaciar el tanque para polvo y limpiar o reemplazar el filtro en intervalos más frecuentes para mantener el máximo rendimiento de la aspiradora.

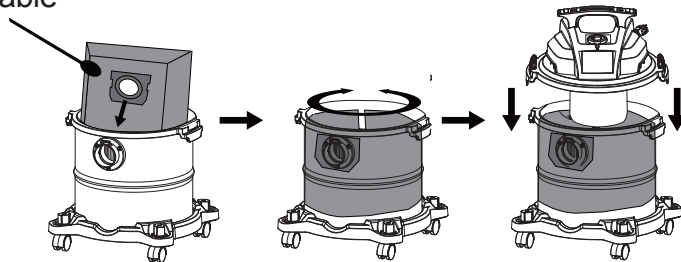
#### NOTA:

Se necesita un filtro seco para recoger el material seco. Si usa la aspiradora para aspirar polvo cuando el filtro está mojado, este se obstruirá rápidamente y la limpieza será muy difícil. Si el filtro se moja, reemplácelo antes de continuar aspirando.

### INSTALACIÓN DE LA BOLSA DE FILTRO DESECHABLE

1. Deslice la abertura del collar de cartón firmemente sobre el deflector del puerto de aspiración, hasta que se detenga contra la pared del deflector.
2. Coloque la bolsa de modo que se distribuya en todo el interior del tanque.
3. Vuelva a colocar y asegurar el cabezal en el tanque.

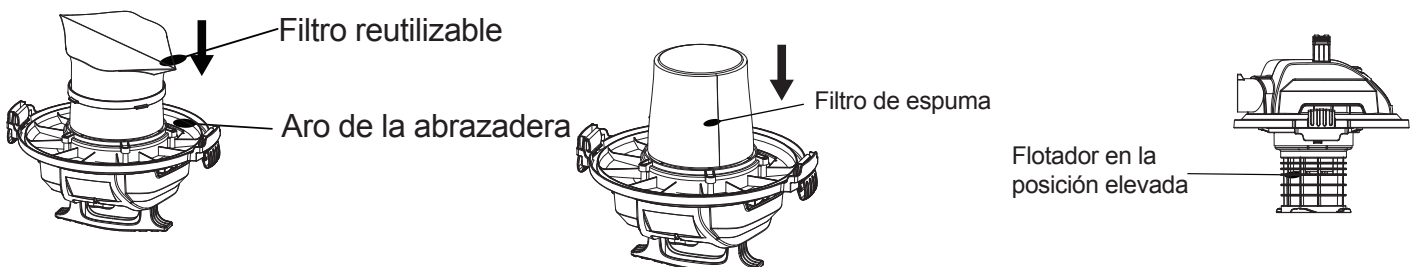
Bolsa de filtro desechable



### FUNCIONAMIENTO DE ASPIRACIÓN DE LÍQUIDOS

1. Retire el filtro reutilizable y reemplácelo por un filtro de espuma cuando aspire en mojado.
2. Esta aspiradora para seco/mojado está equipada con un mecanismo de flotador que se eleva automáticamente para cortar el flujo de aire cuando el líquido en el tanque alcanza un nivel predeterminado. Cuando ocurra esto, apague la aspiradora, desenchufe el cable de alimentación y vacíe el tanque para polvo. Sabrá que el flotador ha cerrado el flujo de aire ya que la succión se detiene y el ruido del motor se vuelve más agudo debido a la disminución de la velocidad del motor. La capacidad de líquido puede variar según la cantidad que se aspire.

**IMPORTANTE:** Para reducir el riesgo de daños a la aspiradora, no haga funcionar el motor con el flotador en la posición elevada.





## INSTRUCCIONES DE FUNCIONAMIENTO

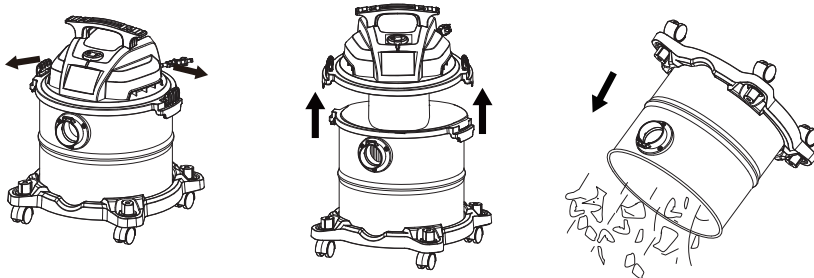
### VACIADO DEL TANQUE

#### ⚠️ ADVERTENCIA:

Para reducir el riesgo de lesiones debido a arranques accidentales, desenchufe el cable de alimentación antes vaciar el tanque para polvo.

1. Retire el ensamblaje del cabezal de alimentación de la aspiradora para seco/mojado jalando hacia fuera los sujetadores de la tapa ubicados a cada lado de la aspiradora. Retire el ensamblaje del cabezal de alimentación.

Vacíe el contenido del tanque en el contenedor de residuos adecuado.



### FUNCIONAMIENTO DE SOPLADO

⚠️ **ADVERTENCIA:** Siempre use gafas de seguridad que cumplan con ANSI z87.1 en EE.UU o con CSA Z94.3 en Canadá al usar el soplador.

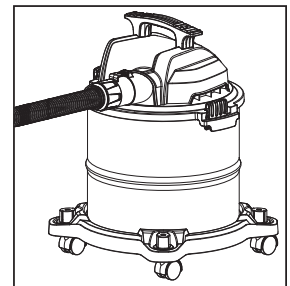
⚠️ **ADVERTENCIA:** Para evitar lesiones a los transeúntes, manténgalos alejados de la suciedad soplada.

⚠️ **PRECAUCIÓN:** Use una mascarilla antipolvo si el soplado provoca polvo que pueda ser inhalado.

⚠️ **PRECAUCIÓN:** Para reducir el riesgo de daños auditivos, use protectores para los oídos cuando use la aspiradora/soplador por varias horas o en un entorno bullicioso.

Su aspiradora cuenta con una característica de soplado. Tiene la capacidad de soplar aserrín y otros residuos. Puede usarse para soplar polvo y suciedad de garajes o de patios y entradas de garaje. Siga los siguientes pasos para usar su aspiradora como soplador.

1. Ubique el puerto de soplado en su aspiradora.
2. Inserte un extremo de la manguera.
3. Encienda la aspiradora.



## CUIDADO Y MANTENIMIENTO

### REEMPLAZO DEL FILTRO

**⚠️ ADVERTENCIA:** Para reducir el riesgo de lesiones debido a arranques accidentales, desenchufe el cable de alimentación antes de cambiar o limpiar el filtro.

Debe limpiar el filtro a menudo para mantener el máximo rendimiento de la aspiradora.

**IMPORTANTE:** Para evitar daños en la rueda y el motor del soplador, siempre vuelva a instalar el filtro reutilizable antes de usar la aspiradora para aspirar en seco y siempre vuelva a instalar el filtro de espuma antes de usar la aspiradora para aspirar en mojado.

**IMPORTANTE:** Después de limpiar, revise si el filtro tiene desgarraduras u orificios pequeños. No use la aspiradora si un filtro tiene orificios o desgarraduras. Incluso un pequeño orificio puede causar que salga mucho polvo de su aspiradora. Reemplácelo inmediatamente.

**NOTA:** Antes de instalar el filtro en la aspiradora, limpie el área de la tapa de manera que el aro de la abrazadera selle la bolsa contra la tapa para detener las pequeñas partículas de traspasen la bolsa del filtro.

Si el filtro está limpio y no se ha dañado, vuelva a colocarlo en la caja del filtro. Si no puede reutilizarse, coloque un nuevo filtro en la caja del filtro.

#### NOTA:

Limpie el filtro en un área abierta. La limpieza se debe efectuar en exteriores y no en áreas habitadas.

**⚠️ ADVERTENCIA:** No retire la caja del filtro ni el flotador. El flotador evita que el agua ingrese al propulsor y que dañe el motor. La caja evita que los dedos toquen el propulsor en movimiento.

### LIMPIEZA

Para mantener su aspiradora para seco/mojado con una apariencia perfecta, limpie la superficie exterior con un paño humedecido con agua tibia y jabón suave.

Para limpiar el tanque:

1. Retire los desechos.
2. Lave el tanque completamente con agua tibia y jabón suave.
3. Limpie con un paño seco.

### ALMACENAJE

Antes de almacenar su aspiradora, el tanque para polvo debe vaciarse y limpiarse. El cable debe enrollarse y colgarse en la unidad y los accesorios deben guardarse en el porta accesorios para que estén a la mano. La aspiradora se debe almacenar en interiores.

## SOLUCIÓN DE PROBLEMAS

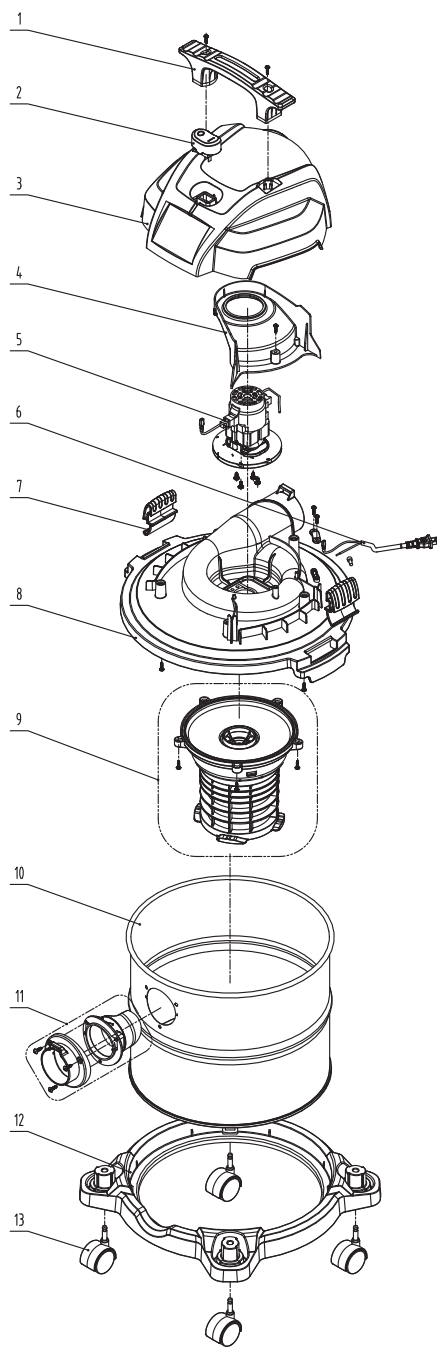
### ⚠️ ¡ADVERTENCIA!

**PARA REDUCIR EL RIESGO DE LESIONES CAUSADAS POR LAS PIEZAS EN MOVIMIENTO Y/O DESCARGAS ELÉCTRICAS, COLOQUE EL INTERRUPTOR DE ENCENDIDO EN LA POSICIÓN DE APAGADO Y DESCONECTE EL ENCHUFE CON PUESTA A TIERRA DEL TOMACORRIENTE ANTES DE PROCEDER CON LA SOLUCIÓN DE PROBLEMAS.**

Los problemas menores se pueden arreglar generalmente sin llamar al Servicio al Cliente.

PROBLEMA	CAUSA POSIBLE	ACCIÓN CORRECTIVA
La aspiradora no funciona	No hay electricidad	Asegúrese de que el tomacorriente tenga voltaje (Puede que deba ponerse en contacto con un electricista calificado)
Se pierde la capacidad de succión en mojado	1. Tanque lleno 2. La manguera está obstruida 3. El filtro está obstruido	1. Drene y limpie el tanque 2. Retire la manguera y limpie la suciedad 3. Limpie o reemplace el filtror
Se pierde la capacidad de succión en seco	1. Tanque lleno 2. La manguera está obstruida 3. El filtro está obstruido	1. Drene y limpie el tanque 2. Retire la manguera y limpie la suciedad 3. Limpie o reemplace el filtror

## VISTA DETALLADA / LISTA DE PIEZAS



Artículo	Descripción	Cantidad
1	Mango de transporte	1
2	Botón Interruptor	1
3	Cubierta superior	1
4	Deflector térmico	1
5	Motor	1
6	Cable de alimentación	1
7	Segura de la tapa	2

Artículo	Descripción	Cantidad
8	Marco medio	1
9	Base de motor	1
10	Depósito de polw	1
11	De vacío del puerto	1
12	Carretilla	1
13	Rueda	4

## **Alton Industry Ltd. Group**

### **Garantía Limita de 1 año**

Esta garantía cubre cualquier defecto en materiales o habilidad del producto incluido. Alton el Grupo de Industrias reparará o sustituirá cualquier material defectuoso debido a la artesanía del producto. Esta garantía no cubre ningún problema causado por el mal uso, el abuso, accidentes o actos del dios, como inundaciones o huracanes. También daños y perjuicios consiguientes y secundarios no son cubiertos conforme a esta garantía. La cobertura se termina si usted vende o de otra manera transfiere la propiedad. Si usted siente que usted tiene un producto defectuoso por favor envíe el producto atrás, el franqueo pagado con una copia de su recibo para dirigirse debajo. Por favor llámese 1-888-899-0146 para instrucciones antes del devolver este artículo a la tienda o el enviar

atrás:

Alton Industry Ltd. Group  
1031 North Raddant Rd  
Batavia, Illinois 60510

Inspeccionaremos el producto y nos pondremos en contacto con usted dentro de 72 horas para darle los resultados de nuestra inspección. Reservamos el derecho de reparar o sustituir el producto en nuestra discreción. Sin embargo, podemos sustituir el producto por uno de similar, pero no rasgos exactos.

Partes y Información de Servicio disponible llamada Alton Industries at 1-888-899-0146

Esta garantía le da derechos específicos legales, y usted puede tener también otros derechos que varían de estado al estado.

Stanley® and **STANLEY** are trademarks of Stanley Black & Decker, Inc.,  
or its affiliates and are used under license by Alton Industry Ltd. Group

Stanley® y de **STANLEY** son marcas comerciales de Stanley Black & Decker, Inc.,  
o sus afiliados y son utilizadas bajo licencia por Alton Industry Ltd. Group

Stanley® et **STANLEY** sont des marques de commerce de Stanley Black & Decker, Inc.,  
ou de ses filiales et sont utilisés sous licence par Alton Industry Ltd. Group

Stanley Black & Decker, Inc.,

Stanley Black & Decker, Inc.  
New Britain, CT 06053 U.S.A  
<http://www.stanleyblackanddecker.com>

This manual was downloaded from

# wet-dry-vac.com

The most comprehensive source of information about wet/dry shop vacuums on the Internet!

Wet-dry-vac.com allows you to learn about how to purchase a wet/dry vac, compare and review detailed specifications on hundreds of models, and find compatible filters.

You can also view manuals, parts lists and brochures for hundreds of models. Plus, you can find the best prices for vacuums and filters, and purchase online right from the site.

