



OPERATOR'S MANUAL

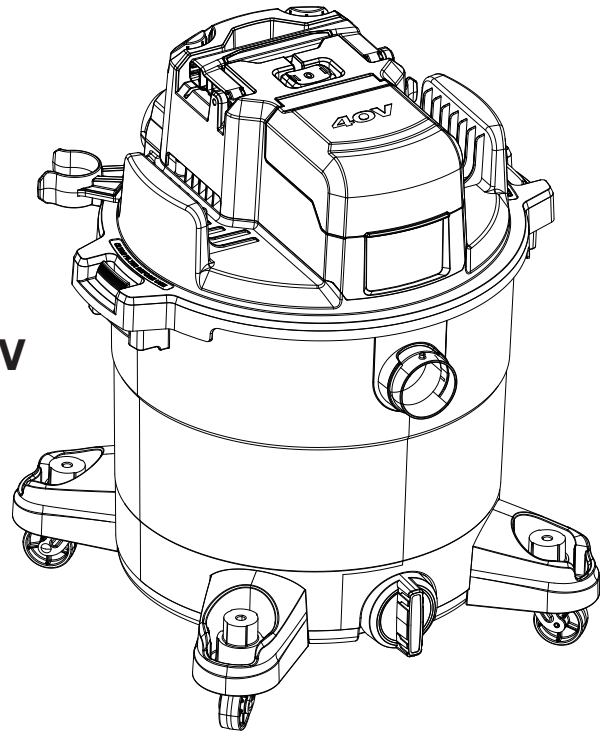
MANUEL D'UTILISATION
MANUAL DEL OPERADOR

40 VOLT WET/DRY VAC

ASPIRATEUR SEC/HUMIDE EAU DE 40 V

ASPIRADORA EN HÚMEDO/SECO DE 40 V

RY40WD01



EN MEXICO:
PARA MÁS INFORMACIÓN
WWW.RYOBITOOLS.MX
CENTROS DE SERVICIO
800-843-1111

INCLUDES: Wet/Dry Vac, Wet Use Filter, Flexible Hose, Crevice Tool, Floor Nozzle, Extension Wands (2), Storage Clips (2), Dry Use Filter, Screws (6), Casters (4), Operator's Manual

INCLUT : Aspirateur sec/humide, filtre pour utilisation en milieu humide, tuyau flexible, suceur plat, suceur pour sol, rallonges (2), attaches de rangement (2), filtre pour utilisation à sec, vis (6), roulettes (4), manuel d'utilisation

INCLUYE: Aspiradora de trabajo en húmedo/seco, filtro para uso en húmedo, manguera flexible, boquilla para rincones, boquilla para pisos, tubos de extensión (2), ganchos de almacenamiento (2), filtro para uso en seco, tornillos (6), ruedas (4), manual del operador

TABLE OF CONTENTS

- Important Safety Instructions2-3
- Symbols..... 4
- Assembly5
- Operation.....6-7
- Maintenance7-8
- Accessories8
- Illustrations9-11
- Parts Ordering and ServiceBack page

TABLE DES MATIÈRES

- Instructions importantes concernant la sécurité2-3
- Symboles..... 4
- Assemblage5
- Utilisation6-7
- Entretien7-8
- Accessoires8
- Illustrations9-11
- Commande de pièces et dépannagePage arrière

ÍNDICE DE CONTENIDO

- Importantes instrucciones de seguridad..... 2-3
- Símbolos.....4
- Armado5
- Funcionamiento6-7
- Mantenimiento7-8
- Accesorios8
- Ilustraciones..... 9-11
- Pedidos de piezas y servicio..... Pág. posterior

⚠ WARNING: To reduce the risk of injury, the user must read and understand the operator's manual before using this product.

⚠ AVERTISSEMENT : Pour réduire les risques de blessures, l'utilisateur doit lire et veiller à bien comprendre le manuel d'utilisation avant d'employer ce produit.

⚠ ADVERTENCIA: Para reducir el riesgo de lesiones, el usuario debe leer y comprender el manual del operador antes de usar este producto.

SAVE THIS MANUAL FOR FUTURE REFERENCE

CONSERVER CE MANUEL POUR FUTURE RÉFÉRENCE

GUARDE ESTE MANUAL PARA FUTURAS CONSULTAS

IMPORTANT SAFETY INSTRUCTIONS

SAVE THESE INSTRUCTIONS

When using an electrical appliance, basic precautions should always be followed, including the following:



WARNING!

READ AND UNDERSTAND ALL INSTRUCTIONS.

Failure to follow all instructions listed below, may result in electric shock, fire and/or serious personal injury.

READ ALL INSTRUCTIONS BEFORE USING THIS APPLIANCE



WARNING:

To reduce the risk of electric shock **DO NOT** expose to rain. Store indoors.




- **Use appliance only as described in this manual.**
- **Do not put any object into openings.** Do not use with any opening blocked; keep free of dust, lint, hair, and anything that may reduce air flow.
- **Do not use without dust bag and/or filters in place.**
- **Dress properly. Do not wear loose clothing or jewelry. Contain long hair. Keep your hair, loose clothing, fingers, and all parts of the body and clothing, away from openings and moving parts.** Loose clothes, jewelry, or long hair can be caught in internal moving parts.
- **Do not overreach. Keep proper footing and balance at all times.** Proper footing and balance enables better control of the product in unexpected situations. Do not use on a ladder or unstable support.
- **Use safety equipment.** Dust mask must be used for appropriate conditions.
- **Do not** allow children to operate the product or play with the product as a toy. Close attention is necessary when used by or near children.
- **Use this product ONLY for its intended use as described in this manual.** Use only the attachments recommended in this manual.
- **If the product is not working properly, has been dropped, damaged, left outdoors, or dropped into water, return to your nearest service center.**
- **Do not** handle charger plug or product with wet hands.
- **Do not** put any objects in ventilation openings. Do not use with any opening blocked. Keep openings free of dust, lint, hair, and anything that may reduce air flow.
- **NEVER** vacuum materials that are burning or smoking, such as hot coals, cigarette butts, matches, burning or smoking ashes, etc.
- **DO NOT** use to pick up flammable or combustible liquids, such as gasoline, or use in areas where they may be present.
- **Do not** use for dry vacuuming without dry use filter in place.
- **Do not** use for wet vacuuming without wet use filter in place.
- **Use extra care when using on stairs.**
- **Do not** incinerate this appliance even if it is severely damaged. The batteries can explode in a fire.
- **The product does not have to be plugged into an electrical outlet, therefore it is always in operating condition.** Be aware of possible hazards when using the product or when changing accessories.
- **Remove battery when the vacuum is not in use and before servicing.**
- **Use this product only with batteries and chargers listed in tool/appliance/battery pack/charger correlation supplement 988000-842.**
- **Recharge only with the charger specified by the manufacturer.** A charger that is suitable for one type of battery pack may create a risk of fire when used with another battery pack.
- **Use appliances only with specifically designated battery packs.** Use of any other battery packs may create a risk of injury and fire.
- **When battery pack is not in use, keep it away from other metal objects like: paper clips, coins, keys, nails, screws, or other small metal objects that can make a connection from one terminal to another.** Shorting the battery terminals together may cause sparks, burns, or a fire.
- **Always remove battery pack from your appliance when you are assembling parts, making adjustments, cleaning, or when not in use.** Removing battery pack will prevent accidental starting that could cause serious personal injury.

IMPORTANT SAFETY INSTRUCTIONS








- **Do not use a battery pack or appliance that is damaged or modified.** Damaged or modified batteries may exhibit unpredictable behavior resulting in fire, explosion or risk of injury.
- **Do not modify or attempt to repair the appliance or battery pack if it has been damaged.**
- **To reduce the risk of serious personal injury, never use or expose battery pack or any cordless product in the presence of an open flame or temperature above 265°F.** An exploded battery can propel debris and chemicals. If exposed, flush with water immediately.
- **Prevent unintentional starting. Ensure the switch is in the off-position before connecting to power source and/or battery pack, picking up or carrying the product.** Carrying battery products with your finger on the switch or energizing battery products that have the switch on invites accidents.
- **Under abusive conditions, liquid may be ejected from the battery; avoid contact. If contact accidentally occurs, flush with water. If liquid contacts eyes, additionally seek medical help.** Liquid ejected from the battery may cause irritation or burns.
- **Do not charge battery appliances in a damp or wet location. Do not use, store, or charge battery packs or products in locations where the temperature is less than 50°F or more than 100°F.** Do not store outside or in vehicles.
- **Protect your lungs. Wear a face or dust mask if the operation is dusty.** Following this rule will reduce the risk of serious personal injury.
- **Check for misalignment or binding of moving parts, breakage of parts, and any other condition that may affect the product's operation. If damaged, have the product serviced before using.** Many accidents are caused by poorly maintained products.
- **Use only accessories that are recommended by the manufacturer for your model.** Accessories that may be suitable for one product may create a risk of injury when used on another product.
- **Do not let gasoline, oils, petroleum-based products, etc., come in contact with plastic parts.** They contain chemicals that can damage, weaken, or destroy plastic.
- **Have servicing performed by a qualified repair person using only identical replacement parts.** This will ensure that the safety of the product is maintained.
- **Appliance is intended for household use only.**
- **This product contains no serviceable parts.**
- **Save these instructions. Refer to them frequently and use them to instruct others who may use this product. If you loan someone this product, loan them these instructions also.**

SYMBOLS

The following signal words and meanings are intended to explain the levels of risk associated with this product.

| SYMBOL | SIGNAL | MEANING |
|-----------------------------------------------------------------------------------|-----------------|--------------------------------------------------------------------------------------------------------------------------------------------------------------|
|  | DANGER: | Indicates a hazardous situation, which, if not avoided, will result in death or serious injury. |
|  | WARNING: | Indicates a hazardous situation, which, if not avoided, could result in death or serious injury. |
|  | CAUTION: | Indicates a hazardous situation, that, if not avoided, may result in minor or moderate injury. |
| | NOTICE: | (Without Safety Alert Symbol) Indicates information considered important, but not related to a potential injury (e.g. messages relating to property damage). |

Some of the following symbols may be used on this product. Please study them and learn their meaning. Proper interpretation of these symbols will allow you to operate the product better and safer.

| SYMBOL | NAME | DESIGNATION/EXPLANATION |
|-------------------------------------------------------------------------------------|------------------------|------------------------------------------------------------------------------------------------------------------------------------------------------------------------------------------------------------------------------------------------|
|  | Safety Alert | Indicates a potential personal injury hazard. |
|  | Read Operator's Manual | To reduce the risk of injury, user must read and understand operator's manual before using this product. |
|  | Eye Protection | Always wear eye protection with side shields marked to comply with ANSI Z87.1. |
|  | Wet Conditions Alert | Risk of fire and burns. Do not expose battery, battery compartment, or electronic components to rain, water, or liquids. Close cover during use. |
|  | Long Hair | Risk of long hair being drawn into air inlet. |
|  | Motor head | Do not run unit while motor head is unsecured. |
|  | Recycle Symbol | This product uses lithium-ion (Li-ion) batteries. Local, state or federal laws may prohibit disposal of batteries in ordinary trash. Consult your local waste authority for information regarding available recycling and/or disposal options. |
| V | Volts | Voltage |
| min | Minutes | Time |
| == | Direct Current | Type or a characteristic of current |
| n_0 | No Load Speed | Rotational speed, at no load |
| .../min | Per Minute | Revolutions, strokes, surface speed, orbits etc., per minute |

ASSEMBLY

UNPACKING

This product requires assembly.

- Carefully remove the appliance and any accessories from the box. All items listed in the **Includes** section must be included at the time of purchase.

WARNING:

Items in this *Assembly* section are not assembled to the product by the manufacturer and require customer installation. Use of a product that may have been improperly assembled could result in serious personal injury.

- If any parts are damaged or missing, please call 1-800-525-2579 for assistance.

WARNING:

If any parts are damaged or missing do not operate this product until the parts are replaced. Use of this product with damaged or missing parts could result in serious personal injury.

WARNING:

Do not attempt to modify this product or create accessories or attachments not recommended for use with this product. Any such alteration or modification is misuse and could result in a hazardous condition leading to possible serious personal injury.

WET/DRY VAC ASSEMBLY

See Figure 1 - 8, pages 9 - 10.

The wet use filter, accessories, casters, and hose are packed inside the canister and must be installed before using the wet/dry vac.

- Place the vacuum on a flat surface in the upright position.
- Depress the locking latches on the side of the canister.
- Remove the motor head assembly.

NOTE: The dry use filter is preinstalled on the motor head.

- Remove the wet use filter, flexible hose, floor nozzle, casters, extension wands, storage clips, and screws from the canister.
- Place the storage clips on the motor head.
- Align the holes in the storage clips with the holes in the motor head. Install screws and tighten securely.
- Carefully turn the canister upside down.

- Slide casters into the grooves on the bottom of the canister and press down into place.
- Install screws through the holes in the casters. Tighten securely.
- Make sure the casters are secure, and then return the canister to the upright position.
- Align the raised tab on vacuum port to the slot on the flexible hose; slide together and tighten securely by twisting until the hose is in the locked position. Check tightness after initial use and retighten if needed.

NOTICE:

When correctly assembled, the hose is difficult to separate. If it can easily be twisted apart, the hose is not locked. Continue twisting together until the hose snaps into the locked position. If the hose is not in the locked position, it can separate during operation.

- Connect extension wands and/or accessories as needed. Refer to **Installing/Removing Attachments** later in the manual.
- To remove the hose, rotate the hose counterclockwise and remove from the vacuum port.

To assemble the appliance for dry vacuuming:

- Ensure the dry use filter is flush against the power head and turn the filter cover clockwise to make sure it is tightened securely.

NOTE: The dry use filter is preinstalled on the motor head.

- Place the motor head assembly inside the canister and push down into place.

To assemble the appliance for wet vacuuming:

- Remove the motor head assembly from the canister.
- Turn the motor head assembly upside down with the dry use filter facing up.
- Rotate the filter cover counterclockwise to loosen.
- Remove the filter cover and dry use filter from the motor head.
- Slide the wet use filter onto the motor head and pull it down until it completely covers the filter cage.
- Place the motor head assembly inside the canister and push down into place.

NOTE: To reassemble the appliance for dry vacuuming, remove the motor head and turn it upside down. Remove the wet use filter from the filter cage. Slide the dry use filter over the filter cage and secure in place using the filter cover. Place the motor head assembly inside the canister and push down into place.

OPERATION

WARNING:

Do not allow familiarity with this product to make you careless. Remember that a careless fraction of a second is sufficient to inflict serious injury.

WARNING:

Always remove battery pack from the appliance when you are assembling parts, making adjustments, cleaning, or when not in use. Removing battery pack will prevent accidental starting that could cause serious personal injury.

WARNING:

Always wear eye protection with side shields marked to comply with ANSI Z87.1. Failure to do so could result in objects being thrown into your eyes and other possible serious injuries.

WARNING:

Do not use any attachments or accessories not recommended by the manufacturer of this product. The use of attachments or accessories not recommended can result in serious personal injury.

APPLICATIONS

You may use this product for the following purpose:

- Light-duty vacuuming of wet or dry surfaces
- Blowing hard surfaces such as driveways and walkways

INSTALLING/REMOVING BATTERY PACK

See Figure 9, page 11.

- Place the switch in the **OFF (O)** position.
- Raise the battery cover.
- Insert the battery pack into the product as shown.
- Make sure the latch on top of the battery pack snaps into place and that battery pack is secured in the product before beginning operation.
- Depress the latch to remove the battery pack.
- Lower the battery cover and make sure it is securely closed.

For complete charging instructions, see the operator's manuals for your battery pack and charger.

STARTING/STOPPING THE WET/DRY VAC

See Figure 10, page 11.

WARNING:

To reduce the risk of fire or explosion, do not leave the product running while unattended. Immediately stop the unit if it shows signs of abnormal operation such as loss of suction, liquid or debris in the exhaust, or any abnormal motor noises.

- **To start the wet/dry vac:** place the switch in the **HIGH (II)** or **LOW (I)** position.
- **To stop the wet/dry vac:** place the switch in the **OFF (O)** position.

INSTALLING/REMOVING ATTACHMENTS

See Figure 11, page 11.

Vacuuming can be performed with only the flexible hose or the hose with vacuum attachments.

- Place the switch in the **OFF (O)** position.
- Connect flexible hose to the vacuum port as described earlier.
- Attach the tapered end of the flexible hose to an extension wand. Connect a second extension wand or additional accessories as needed.
- To remove, twist the attachment or extension wand and pull from hose.

DRY VACUUMING

See Figure 12, page 11.

Assemble the appliance for dry vacuuming as described earlier in the manual.

Vacuum only items small enough to fit through the hose or the attachment. When vacuuming, make sure that the dry use filter stays in place. The performance of the wet/dry vac will decrease with a full canister. When emptying the canister, check to see if the dry use filter needs replacing.

CAUTION:

In low relative humidity conditions, vacuuming fine debris with the wet/dry vac can cause a static charge resulting in static shock. To reduce static shock while using, add moisture to the air with a humidifier.

OPERATION

WET VACUUMING

See Figure 13, page 11.

Assemble the appliance for wet vacuuming as described earlier in the manual.

When wet vacuuming, be aware that your wet/dry vac is equipped with a safety plug inside the filter unit housing. This safety plug is designed to shut the suction off when the canister reaches full wet capacity. When the canister is full, turn the wet/dry vac OFF and empty the canister as shown in Maintenance.

WARNING:

When vacuuming liquid, make sure the vacuum does not get submerged or doused in liquid, which could cause shock, vacuum failure, or personal injury.

BLOWING

See Figures 14 - 15, page 11.

To assemble the appliance for blowing:

- Remove the battery pack.
- Remove the flexible hose from the vacuum port and install it into the blower port on the motor housing.
- Connect extension wands and/or accessories as needed.

When blowing, keep from scattering debris by blowing around the outer edges of a debris pile. Never blow directly into the center of a pile. Watch out for children, pets, open windows, or freshly washed cars, and blow debris safely away.

MAINTENANCE

WARNING:

When servicing, use only identical replacement parts. Use of any other part could create a hazard or cause product damage.

GENERAL MAINTENANCE

Avoid using solvents when cleaning plastic parts. Most plastics are susceptible to damage from various types of commercial solvents and can be damaged by their use. Use clean cloths to remove dirt, dust, oil, grease, etc.

WARNING:

Do not at any time let brake fluids, gasoline, petroleum-based products, penetrating oils, etc., come in contact with plastic parts. Chemicals can damage, weaken or destroy plastic which could result in serious personal injury.

REMOVING WASTE FROM THE CANISTER

See Figure 16, page 11.

The canister should be checked, emptied, and cleaned after each use to obtain maximum efficiency.

Dry waste:

- Remove the battery pack.
- Depress the locking latches and remove the motor head assembly.
- Remove the filter cover and dry use filter.
- Inspect filter, lightly shake any dust or dirt from the filter, or replace as necessary.
- Empty the canister; wash out if necessary.
- Replace dry use filter and filter cover.
- Before replacing the motor head assembly, make sure all pieces are completely dry.
- Place the motor head assembly inside the canister and push down into place.

MAINTENANCE

Liquid waste:

- Remove the battery pack.
- Depress the locking latches and remove the motor head assembly.
- Remove and clean the wet use filter. Allow the filter to completely dry before reattaching.

NOTE: Replace the filter if it is worn or damaged.

- Remove the drain plug.
- Empty the canister; wash out if necessary. Before replacing the motor head assembly, make sure all pieces are completely dry.
- Place the motor head assembly inside the canister and push down into place.
- Replace the drain plug.

CAUTION:

Do not allow liquid pick up to remain in the canister for extended periods of time. Moisture can develop in the motor compartment and shorten the life of the motor.

CAUTION:

Do not turn unit upside down, as liquid may enter the motor unit.

WARNING:

Never use a hose, water, or any liquids to clean or rinse off the motor head assembly, battery compartment or battery. Corrosive liquids, water and chemicals can enter the motor head assembly and/or battery compartment and damage electronic components and/or the battery packs, which can result in a short circuit, increased risk of fire, and serious personal injury.

STORAGE

See Figure 17, page 11.

- Clean all foreign material from the wet/dry vac.
- Clean the outside of the canister with warm water and mild soap.
- Empty and clean the canister, flexible hose, extension wands, and attachments with warm water and mild soap and allow to completely dry before storage.
- Store flexible hose and attachments inside the canister or in the storage areas located on the motor head and canister.
- The canister should be disinfected as needed and before prolonged storage.
- Store indoors in a place that is inaccessible to children. Keep away from corrosive agents such as garden chemicals and de-icing salts.

ACCESSORIES

Look for these accessories where you purchased this product or call 1-800-525-2579:

- Dry Use Filter019166001025
- Wet Use Filter019166001055

NOTE: ILLUSTRATIONS START ON PAGE 9 AFTER FRENCH AND SPANISH LANGUAGE SECTIONS.

INSTRUCTIONS IMPORTANTES CONCERNANT LA SÉCURITÉ

CONSERVER CES INSTRUCTIONS

L'utilisation d'un appareil électrique demande d'observer en tout temps des précautions élémentaires, dont celles-ci :

AVERTISSEMENT !

LIRE ATTENTIVEMENT TOUTES LES INSTRUCTIONS.
Le non-respect de toutes les instructions ci-dessous peut entraîner un choc électrique, un incendie et/ou des blessures graves.

LIRE TOUTES LES INSTRUCTIONS AVANT D'UTILISER CET APPAREIL

AVERTISSEMENT :

Pour réduire le risque de choc électrique, **NE PAS** exposer l'appareil à la pluie. L'entreposer à l'intérieur.

- **Utiliser exclusivement le filtre selon l'appareil de ce manuel.**
- **Ne placer aucun objet dans les ouvertures.** Ne pas utiliser le produit si l'une ou l'autre des ouvertures est obstruée. Enlever toute la poussière, toutes les peluche et tous les cheveux, ou tout autre élément pouvant réduire la circulation de l'air.
- **Ne pas utiliser l'aspirateur sans la sac à poussière et/ou les filtres.**
- **Porter des vêtements appropriés. Ne porter ni vêtements amples ni bijoux. Confiner les cheveux longs. Garder les cheveux, les vêtements amples, les doigts ainsi que toutes les parties du corps et des vêtements à l'écart des ouvertures et des pièces en mouvement.** Les vêtements amples, bijoux et cheveux longs peuvent se prendre dans les pièces en mouvement.
- **Ne pas travailler hors de portée. Toujours se tenir bien campé et en équilibre.** Une bonne tenue et un bon équilibre permettent de mieux contrôler le produit en cas de situation imprévue. Ne pas utiliser le produit sur une échelle ou un support instable.
- **Utiliser l'équipement de sécurité.** Un masque filtrant doit être porté dans les environnements poussiéreux.
- **Ne pas** laisser les enfants utiliser le produit ou s'en servir comme un jouet. Porter une attention particulière lorsque des enfants se trouvent à proximité.
- **Utiliser cet produit SEULEMENT pour les applications pour lesquelles il est conçu, selon les instructions de ce manuel.** Utiliser exclusivement les accessoires recommandés dans ce manuel.
- **Si le produit ne fonctionne pas correctement, est tombé, a été endommagé, laissé à l'extérieur ou immergé, le retourner au centre de réparations le plus proche.**
- **Ne pas** manipuler la prise du chargeur ou le produit avec des mains mouillées.
- **Ne pas** insérer dans les ouies d'aération. Ne pas utiliser si des ouvertures sont obstruées. Veiller à ce que les ouvertures ne soient jamais obstruées par de la poussière, de la peluche, des cheveux ou quoi que ce soit risquant de réduire le flux d'air.
- **NE JAMAIS** utiliser l'aspirateur pour ramasser des charbons ardents, des mégots de cigarettes, des allumettes, des cendres brûlantes ou fumantes, etc.
- **NE PAS** utiliser l'appareil pour aspirer des liquides inflammables ou combustibles comme de l'essence ou dans des endroits où de tels produits peuvent se trouver.
- **Ne pas** utiliser sans filtre pour l'aspiration à sec.
- **Ne pas** utiliser sans filtre pour l'aspiration humide.
- **Redoubler de prudence lors de l'utilisation dans des escaliers.**
- **Ne pas** incinérer cet appareil, même s'il est fortement endommagé. Les piles peuvent exploser si elles sont jetées au feu.
- **Un produit sans fil n'ayant pas besoin d'être branché sur une prise secteur, il est toujours en état de fonctionnement.** Tenir compte des dangers possibles pendant l'utilisation de le produit et du changement d'accessoire.
- **Retirer la pile lorsque l'aspirateur n'est pas en usage et avant tout entretien.**
- **Utiliser ce produit seulement avec la piles et le chargeurs indiqués dans le supplément de raccordement pour chargeur/outils/piles/appareil n° 988000-842.**
- **Ne recharger qu'avec l'appareil spécifié par le fabricant.** Un chargeur approprié pour un type de pile peut créer un risque d'incendie s'il est utilisé avec un autre type de pile.
- **Utiliser exclusivement le bloc-pile spécifiquement indiqué pour l'appareil.** L'usage de tout autre bloc peut créer un risque de blessures et d'incendie.
- **Lorsque le bloc-piles n'est pas en usage, le tenir à l'écart d'articles métalliques tels que : les attaches trombones, pièces de monnaie, clés, clous, vis et autres petits objets métalliques risquant d'établir le**

INSTRUCTIONS IMPORTANTES CONCERNANT LA SÉCURITÉ

contact entre les deux bornes. La mise en court-circuit des bornes de piles peut causer des étincelles, des brûlures ou un incendie.




- **Toujours retirer le bloc-piles de l'appareil au moment d'assembler des pièces, d'effectuer des réglages et de procéder au nettoyage, ou lorsque l'outil n'est pas utilisé.** Le fait de retirer le bloc-piles permet d'empêcher un démarrage accidentel pouvant entraîner des blessures graves.
- **Ne pas utiliser un bloc-piles ou un appareil endommagé ou modifié.** Les piles endommagées ou modifiées peuvent produire un comportement imprévisible pouvant provoquer un incendie, une explosion ou des blessures.
- **Ne pas modifier ou tenter de réparer un appareil ou un bloc-piles ayant été endommagé.**
- **Afin de réduire les risques de blessures graves, ne jamais le bloc-piles ou utiliser l'outil sans fil en présence d'une flamme nue ou à une température supérieure à 129,4 °C (265 °F).** Une pile qui explose peut projeter des débris et des produits chimiques. En cas d'exposition, rincer immédiatement avec de l'eau.
- **Éviter les démarrages accidentels. S'assurer que le commutateur est en position d'arrêt avant de brancher l'outil.** Porter un outil avec le doigt sur son commutateur ou brancher un outil dont le commutateur est en position de marche peut causer un accident.
- **En cas d'usage abusif, du liquide peut s'échapper des piles. Éviter tout contact avec ce liquide. En cas de contact accidentel, rincer immédiatement les parties atteintes avec de l'eau. En cas d'éclaboussure dans les yeux consulter un médecin.** Le liquide s'échappant des piles peut causer des irritations ou des brûlures.
- **Ne pas recharger un appareil fonctionnant sur piles dans un endroit humide ou mouillé. Ne pas utiliser, remiser ou charger le bloc-piles ou produits dans des**

emplacements où la température est inférieure 10 °C (50 °F) à ou supérieure à 38 °C (100 °F). Ne pas ranger l'outil à l'extérieur ou dans un véhicule.








- **Protection respiratoire. Porter un masque facial ou un masque anti-poussière si le travail produit de la poussière.** Le respect de cette règle réduira les risques de blessures graves.
- **Vérifier qu'aucune pièce mobile n'est mal alignée ou bloquée, qu'aucune pièce n'est brisée et s'assurer qu'aucun autre problème ne risque d'affecter le bon fonctionnement de le produit. En cas de dommages, faire réparer l'outil avant de l'utiliser de nouveau.** Plusieurs accidents sont causés par des produits mal entretenus.
- **Utiliser exclusivement les accessoires recommandés par le fabricant pour le modèle d'produit.** Des accessoires appropriés pour un produit peuvent être dangereux s'ils sont utilisés avec un autre.
- **Ne jamais laisser de liquides tels que, l'essence, les produits à base de pétrole, les huiles pénétrantes, etc., entrer en contact avec les pièces en plastique.** Ces liquides contiennent chimiques susceptibles d'endommager, d'affaiblir ou de détruire le plastique.
- **Demander à un réparateur qualifié d'effectuer la réparation en utilisant des pièces de rechange identiques.** Ceci assurera la bonne sécurité du produit réparé.
- **Este producto no contiene piezas que puedan repararse.**
- **Aucune pièce de ce produit ne peut être réparée par l'utilisateur.**
- **Conserver ces instructions. Les consulter fréquemment et les utiliser pour instruire les autres utilisateurs éventuels. Si cet produit est prêté, il doit être accompagné de ces instructions.**

SYMBOLES

Les termes de mise en garde suivants et leur signification ont pour but d'expliquer le degré de risques associé à l'utilisation de ce produit.

| SYMBOLE | SIGNAL | SIGNIFICATION |
|-----------------------------------------------------------------------------------|------------------------|--------------------------------------------------------------------------------------------------------------------------------------------------------------------------------------|
|  | DANGER : | Indique une situation dangereuse qui, si elle n'est pas évitée, aura pour conséquences des blessures graves ou mortelles. |
|  | AVERTISSEMENT : | Indique une situation dangereuse qui, si elle n'est pas évitée, pourrait entraîner des blessures graves ou mortelles. |
|  | ATTENTION : | Indique une situation dangereuse qui, si elle n'est pas évitée, pourrait entraîner des blessures légères ou de gravité modérée. |
| | AVIS : | (Sans symbole d'alerte de sécurité) Indique les informations jugées importantes sans toutefois représenter un risque de blessure (ex. : messages concernant les dommages matériels). |

Certains des symboles ci-dessous peuvent être utilisés sur produit. Veiller à les étudier et à apprendre leur signification. Une interprétation correcte de ces symboles permettra d'utiliser produit plus efficacement et de réduire les risques.

| SYMBOLE | NOM | DÉSIGNATION / EXPLICATION |
|-------------------------------------------------------------------------------------|-------------------------------------|-----------------------------------------------------------------------------------------------------------------------------------------------------------------------------------------------------------------------------------------------------------------------|
|  | Symbole d'alerte de sécurité | Indique un risque de blessure potentiel. |
|  | Lire manuel d'utilisation | Pour réduire les risques de blessures, l'utilisateur doit lire et veiller à bien comprendre le manuel d'utilisation avant d'utiliser ce produit. |
|  | Protection oculaire | Toujours porter une protection oculaire avec écrans latéraux certifiée conforme à la norme ANSI Z87.1. |
|  | Avertissement concernant l'humidité | Risque d'incendie et de brûlures. Ne pas exposer la pile, le compartiment de la pile, ou les composants électroniques à la pluie, l'eau ou d'autres liquides. Fermer le couvercle pendant l'utilisation. |
|  | Cheveux longs | Risque que les cheveux longs soient aspirés dans l'entrée d'air. |
|  | Ensemble du moteur de tête | Ne pas utiliser lorsque le moteur de tête n'est pas bien en place. |
|  | Symbole de recyclage | Ce produit utilise les piles de lithium-ion (Li-ion). Les réglementations locales ou gouvernementales peuvent interdire de jeter les piles dans les ordures ménagères. Consulter les autorités locales compétentes pour les options de recyclage et/ou l'élimination. |
| V | Volts | Tension |
| min | Minutes | Temps |
| == | Courant continu | Type ou caractéristique du courant |
| n_0 | Vitesse à vide | Vitesse de rotation à vide |
| .../min | Par minute | Tours, coups, vitesse périphérique, orbites, etc., par minute |

ASSEMBLAGE

DÉBALLAGE

Ce produit nécessite un assemblage.

- Avec précaution, sortir l'appareil et les accessoires de la boîte. Tous les articles énumérés sous **Inclut** doivent se trouver dans l'emballage au moment de l'achat.

AVERTISSEMENT :

Certaines pièces figurant dans cette section *Assemblage* n'ont pas été installées sur le produit par le fabricant et exigent une installation du client. Le fait d'utiliser un produit qui a été assemblé de façon inadéquate peut entraîner des blessures.

- Si des pièces manquent ou sont endommagées, appeler le 1-800-525-2579.

AVERTISSEMENT :

Si des pièces manquent ou sont endommagées, ne pas utiliser cet outil avant qu'elles aient été remplacées. Le non-respect de cet avertissement pourrait entraîner des blessures graves.

AVERTISSEMENT :

Ne pas essayer de modifier cet outil ou de créer des accessoires non recommandés pour l'outil. De telles altérations ou modifications sont considérées comme un usage abusif et peuvent créer des conditions dangereuses, risquant d'entraîner des blessures graves.

ASSEMBLAGE DE L'ASPIRATEUR SEC / HUMIDE

Voir les figures 1 à 8, pages 9 et 10.

Le filtre pour l'utilisation humide, les accessoires, les roulettes et le tuyau sont placés à l'intérieur du récipient de collecte et doivent être installés avant d'utiliser l'aspirateur sec/humide.

- Placer l'aspirateur debout sur une surface plate.
- Appuyez sur les loquets situés sur le côté du boîtier.
- Enlever l'ensemble du moteur.
NOTE : Le filtre pour l'utilisation à sec est préinstallé sur le moteur de tête.
- Retirer le filtre à usage humide, le tuyau flexible, le suceur pour sol, les roulettes, les rallonges, les attaches de rangement et les vis.
- Placer les attaches de rangement sur la tête du moteur.
- Aligner les trous dans les attaches de rangement avec les trous sur la tête du moteur. Installer les vis et serrer fermement.
- Retourner délicatement le récipient de collecte.
- Faire glisser les roulettes dans les rainures du fond du boîtier et appuyer sur ces dernières pour les mettre en place.

- Installer les vis dans les trous des roulettes. Serrer fermement.
- Vérifier que les roulettes sont bien fixées, puis remettre le récipient de collecte en position debout.
- Aligner la languette surélevée de l'orifice d'aspiration sur la fente du tuyau flexible, les glisser ensemble et tourner pour serrer fermement jusqu'à ce que le tuyau est en position verrouillée. Vérifier la tension de serrage après l'utilisation initiale et resserrer au besoin.

AVIS:

Si l'assemblage est correctement effectué, il est difficile de séparer le tuyau. S'il se sépare aisément, le tuyau n'est pas verrouillé. Continuer à tourner jusqu'à ce que le tuyau s'enclenche en position verrouillée. Si le tuyau n'est pas en position verrouillée, il peut se séparer pendant l'opération.

- Connecter les tubes-rallonges ou les accessoires au besoin. Consulter la section **Installation/retrait des accessoires** du manuel.
- Pour enlever le tuyau, le tourner et le retirer de l'orifice d'aspiration.

Pour assembler l'appareil pour une aspiration à sec :

- S'assurer que le filtre pour utilisation à sec affleure la tête d'alimentation et tourner le couvercle du filtre en sens horaire pour vérifier qu'il est bien serré.
NOTE : Le filtre pour l'utilisation à sec est préinstallé sur le moteur de tête.
- Placer l'ensemble du moteur de tête à l'intérieur du récipient de collecte et pousser en place.

Pour assembler l'appareil pour une aspiration humide :

- Enlever l'ensemble du moteur de tête hors du récipient de collecte.
- Retourner l'ensemble du moteur de tête, le filtre pour l'utilisation à sec orienté vers le haut.
- Tourner le couvercle du filtre en sens antihoraire pour desserrer.
- Retirer le couvercle du filtre et le filtre pour l'utilisation à sec hors du moteur de tête.
- Glisser le filtre pour l'utilisation humide dans le moteur de tête et le pousser vers le bas jusqu'à ce qu'il recouvre complètement la cage à filtre.
- Placer le couvercle du filtre sur le filtre et tourner en sens horaire pour serrer et sécuriser.
- Placer l'ensemble du moteur de tête à l'intérieur du récipient de collecte et pousser en place.

NOTE : Pour assembler de nouveau l'outil pour une aspiration à sec, enlever le moteur de tête et le retourner. Retirer le filtre pour l'utilisation humide hors de la cage à filtre. Glisser le filtre pour l'utilisation à sec sur la cage à filtre et sécuriser en place à l'aide du couvercle du filtre. Placer l'ensemble du moteur de tête à l'intérieur du récipient de collecte et pousser en place.

UTILISATION

AVERTISSEMENT :

Ne pas laisser la familiarité avec l'outil faire oublier la prudence. Ne pas oublier qu'une fraction de seconde d'inattention peut entraîner des blessures graves.

AVERTISSEMENT :

Toujours retirer la bloc-pile de l'appareil au moment d'assembler des pièces, d'effectuer des réglages et de procéder au nettoyage, ou lorsque l'outil n'est pas utilisé. Si cette précaution n'est pas prise, des objets peuvent être projetés dans les yeux et causer des lésions graves.

AVERTISSEMENT :

Toujours porter une protection oculaire avec écrans latéraux certifiée conforme à la norme ANSI Z87.1. Ne pas suivre cette directive pourrait entraîner des blessures graves comme la projection d'objets dans vos yeux.

AVERTISSEMENT :

Ne pas utiliser d'outils ou accessoires non recommandés par le fabricant pour cet outil. L'utilisation de pièces et accessoires non recommandés peut entraîner des blessures graves.

APPLICATIONS

Cet outil ne doit être utilisé que pour les applications listées ci-dessous.

- Nettoyage léger des surfaces sèches ou humides
- Soufflage de surfaces dures comme les allées de garage et les trottoirs

INSTALLATION/RETRAIT DU BLOC-PILES

Voir la figure 9, page 11.

- Placer l'interrupteur en la position d'**ARRÊT (O)**.
- Ouvrir la couvercle des piles.
- Insérer la pile dans l'outil comme illustré.
- S'assurer que le loquet au bas du bloc-piles est enclenché correctement et que la pile est bien fixée à l'outil avant de mettre l'outil en marche.
- Relâcher le loquet pour retirer le bloc-piles.
- Fermeture la couvercle des piles et s'assurer que la couvercle tiennent fermement.

Pour prendre connaissance des consignes de chargement, consulter le manuel d'utilisation des piles et des chargeurs.

DÉMARRER / ARRÊTER L'ASPIRATEUR SEC / HUMIDE

Voir la figure 10, page 11.

AVERTISSEMENT :

Pour réduire le risque d'incendie ou d'explosion, ne laissez pas le produit en marche sans surveillance. Arrêtez immédiatement l'appareil s'il présente des signes de dysfonctionnement comme la perte d'aspiration, de liquides ou de débris dans l'échappement, ou n'importe quels bruits anormaux de moteur.

- **Pour démarrer l'aspirateur sec/humide :** placez l'interrupteur en position **ÉLEVÉE (II)** ou **BASSE (I)**.
- **Pour arrêter l'aspirateur sec/humide :** placer l'interrupteur en la position d'**ARRÊT (O)**.

INSTALLATION/RETRAIT DES ACCESSOIRES

Voir la figure 11, page 11.

L'aspiration peut s'effectuer avec soit le tuyau flexible seulement ou soit avec le tuyau et les accessoires d'aspiration.

- Placer l'interrupteur en la position d'**ARRÊT (O)**.
- Brancher le tuyau flexible dans l'orifice d'aspiration comme il est décrit plus tôt.
- Attacher l'extrémité conique du tuyau flexible dans un tube-rallonge. Connecter d'autres tubes-rallonges ou accessoires au besoin.
- Pour retirer, tourner l'accessoire ou le tube-rallonge et tirer hors du tuyau.

L'ASPIRATION À SEC

Voir la figure 12, page 11.

Assembler l'appareil pour une aspiration à sec selon les descriptions indiquées plus tôt dans le manuel.

N'aspirez que les éléments suffisamment petits pour entrer dans le tuyau ou l'accessoire. Lors de l'aspiration, assurez-vous que le filtre pour l'utilisation à sec est bien en place. La performance de l'aspirateur sec/humide diminuera avec un récipient de collecte plein. Au moment de vider le récipient de collecte, vérifier si le filtre pour l'utilisation à sec doit être remplacé.

ATTENTION :

Dans des conditions d'humidité relativement faibles, l'aspiration de débris très fins peut causer une charge statique entraînant une décharge statique. Pour réduire les décharges statiques lors de l'utilisation, ajoutez de l'humidité dans l'air avec un humidificateur.

UTILISATION

L'ASPIRATION HUMIDE

Voir la figure 13, page 11.

Assembler l'appareil pour une aspiration humide selon les descriptions indiquées plus tôt dans le manuel.

Lors de l'aspiration humide, sachez que votre aspirateur sec/humide est équipé d'un bouchon de sûreté situé à l'intérieur du boîtier du filtre. Ce bouchon de sûreté est conçu pour arrêter l'aspiration lorsque le récipient de collecte atteint sa pleine capacité humide. Quand le récipient de collecte est plein, arrêter l'aspirateur sec/humide et vider le récipient de collecter comme il est indiqué dans la section Entretien.

AVERTISSEMENT :

Lors de l'aspiration de liquides, assurez-vous que l'aspirateur ne soit pas immergé ou aspergé de liquides, ce qui pourrait causer une décharge électrique, une panne de l'aspirateur ou des blessures.

SOUFFLAGE

Voir les figures 14 et 15, page 11.

Pour assembler l'appareil pour le soufflage :

- Retirer le bloc-piles.
- Enlever le tuyau flexible de l'orifice d'aspiration et l'installer dans l'orifice de soufflage situé sur le boîtier du moteur.
- Connecter les tubes-rallonges ou les accessoires au besoin.

Pour éviter de répandre les débris lors du soufflage, souffler à partir des bords extérieurs de la pile de débris. Ne jamais souffler directement dans le centre de la pile. Prêter attention aux enfants, animaux, fenêtres ouvertes ou véhicules fraîchement lavés et souffler les débris en direction opposée.

ENTRETIEN

AVERTISSEMENT :

Utiliser exclusivement des pièces d'origine pour les réparations. L'usage de toute autre pièce pourrait créer une situation dangereuse ou endommager le produit.

ENTRETIEN GÉNÉRAL

Éviter d'utiliser des solvants pour le nettoyage des pièces en plastique. La plupart des matières plastiques peuvent être endommagées par divers types de solvants du commerce. Utiliser un chiffon propre pour éliminer la saleté, la poussière, l'huile, la graisse, etc.

AVERTISSEMENT :

Ne jamais laisser de liquides tels que le fluide de freins, l'essence, les produits à base de pétrole, les huiles pénétrantes, etc., entrer en contact avec les pièces en plastique. Les produits chimiques peuvent endommager, affaiblir ou détruire le plastique, ce qui peut entraîner des blessures graves.

ENLÈVEMENT DES DÉCHETS DU RÉCIPIENT DE COLLECTE

Voir la figure 16, page 11.

Le récipient de collecte doit être vérifié, vidé et nettoyé après chaque utilisation pour obtenir une efficacité maximale.

Les déchets secs :

- Retirer le bloc-piles.
- Appuyer les loquets de verrouillage et enlever l'ensemble du moteur de tête.
- Enlevez le couvercle filtre et filtre utilisé pour l'aspiration à sec.
- Inspectez le filtre, secouez légèrement le filtre pour le débarrasser de la poussière et de la saleté, ou remplacez-le au besoin.
- Vider le récipient de collecte; nettoyez-le si nécessaire.
- Remettre le filtre pour l'utilisation à sec et le couvercle du filtre.
- Avant de remettre l'ensemble du moteur de tête, s'assurer que toutes les pièces sont complètement sèches.
- Placer l'ensemble du moteur de tête à l'intérieur du récipient de collecte et pousser en place.

ENTRETIEN

Les déchets liquides :

- Retirer le bloc-piles.
- Appuyer les loquets de verrouillage et enlever l'ensemble du moteur de tête.
- Retirer et nettoyer le filtre pour l'utilisation humide. Laisser le filtre sécher complètement avant de le remettre.
NOTE : Remplacer le filtre, s'il est endommagé ou usé.
- Retirer le bouchon de vidange.
- Vider le récipient de collecte; laver au besoin. Avant de remettre l'ensemble du moteur de tête, s'assurer que toutes les pièces sont complètement sèches.
- Placer l'ensemble du moteur de tête à l'intérieur du récipient de collecte et pousser en place.
- Réinstaller le bouchon de vidange.

ATTENTION :

Ne pas laisser de déchets liquides dans le récipient de collecte pendant de longues périodes. L'humidité peut se développer dans le compartiment du moteur et raccourcir la durée de vie utile du moteur.

ATTENTION :

Ne tournez pas l'appareil à l'envers, car les liquides pourraient pénétrer dans le bloc moteur.

AVERTISSEMENT :

Ne jamais utiliser un boyau, de l'eau ou un autre liquide pour nettoyer ou rincer le moteur de tête, logement de piles ou bloc-piles. Les liquides corrosifs, l'eau et les produits chimiques peuvent s'infiltrer dans le moteur de tête et/ou logement de piles et endommager les composants électroniques et le bloc-pile, ce qui peut entraîner un court-circuit, augmenter le risque d'incendie ou des blessures corporelles graves.

RANGEMENT

Voir les figure 17, page 11.

- Nettoyez l'aspirateur sec/humide de tous les corps étrangers.
- Nettoyer l'extérieur du récipient de collecte avec de l'eau tiède et du savon doux.
- Vider et nettoyer le récipient de collecte, le tuyau flexible, les tubes et les accessoires avec de l'eau tiède et du savon doux, puis laisser sécher complètement avant de ranger.
- Ranger le tuyau flexible et les accessoires à l'intérieur du récipient de collecte ou dans les espaces de rangement situés sur le moteur de tête et le récipient de collecte.
- Le récipient de collecte doit être désinfecté au besoin et avant un rangement prolongé.
- Rangez l'aspirateur à l'intérieur dans un endroit inaccessible aux enfants. Garder éloigné des agents corrosifs comme les produits chimiques de jardinage et les sels fondants.

ACCESSOIRES

Rechercher ces accessoires où vous avez acheté ce produit ou en appelant au 1-800-525-2579:

- Filtre pour l'aspiration à sec019166001025
- Filtre pour l'aspiration humide019166001055

**NOTE : ILLUSTRATIONS COMMENÇANT
SUR 9 DE PAGE APRÈS LE SECTION ESPAGNOL.**

IMPORTANTES INSTRUCCIONES DE SEGURIDAD

GUARDE ESTAS INSTRUCCIONES

Al utilizar un aparato eléctrico, deben seguirse ciertas precauciones básicas, como las siguientes:

¡ADVERTENCIA!

LEA Y COMPRENDA TODAS LAS INSTRUCCIONES.

El incumplimiento de las instrucciones señaladas abajo puede causar descargas eléctricas, incendios y lesiones serias.

LEA TODAS LAS INSTRUCCIONES ANTES DE USAR ESTE APARATO

ADVERTENCIA:

Para reducir el riesgo de una descarga eléctrica **NO** exponga la unidad a la lluvia. Guárdela en el interior.




- **Sólo utilice el aparato de la forma descrita en este manual.**
- **No coloque ningún objeto en las aberturas.** No utilice la unidad si tiene alguna abertura bloqueada; manténgalas libres de polvo, pelusa, cabello y cualquier otra cosa que pueda reducir el flujo de aire.
- **No utilice el producto sin el saco captapolvo y/o los filtros en su lugar.**
- **Vístase de manera apropiada. No use ropas holgadas ni joyas. Recójase el cabello si está largo. Mantenga el cabello, la ropa holgada, los dedos y todas las partes del cuerpo o la ropa alejados de las aberturas y las piezas móviles.** Las ropas holgadas, las joyas y el cabello largo pueden engancharse en las piezas internas móviles.
- **No estire el cuerpo para alcanzar mayor distancia. Mantenga una postura firme y buen equilibrio en todo momento.** La postura firme y el buen equilibrio permiten un mejor control del producto en situaciones inesperadas. No utilice la unidad al estar en una escalera o en un soporte inestable.
- **Use equipo de seguridad.** Se debe usar mascarilla contra el polvo en las condiciones que así lo requieran.
- **No permita que ningún niño utilice o juegue con el producto como si fuera un juguete.** Debe tenerse extrema precaución cuando se use al lado de o cerca de niños.
- **Utilice esta producto SOLAMENTE para los fines especificados en este manual.** Solamente utilice accesorios recomendados en este manual.
- **Si el producto no está funcionando adecuadamente,** se dejó caer, se dañó, se dejó a la intemperie, o se dejó caer dentro del agua, regrésela al centro de servicio más cercano.
- **No** manipule la clavija del cargador o el producto con las manos mojadas.
- **No** ponga ningún objeto en las aberturas de ventilación. No use la unidad con ninguna abertura bloqueada. Mantenga las aberturas libres de polvo, pelusa, pelo y cualquier cosa que pueda reducir el flujo de aire.
- **NUNCA** aspire materiales con brasas calientes, colillas de cigarrillos, fósforos, cenizas candentes o humeantes, etc.
- **NO** utilice la unidad para recoger líquidos inflamables o combustibles, como la gasolina, ni la utilice en lugares donde pueda haber presentes dichos líquidos.
- **No** use para aspirar en seco sin el filtro de uso en seco.
- **No** use para aspirar en húmedo sin el filtro de uso en húmedo colocado.
- **Tenga cuidado extremo al utilizar la unidad en escaleras.**
- **No** incinere este aparato, incluso si está dañado seriamente. Pueden estallar y quedar envueltas en fuego las baterías.
- **El producto no tiene que estar enchufada en una toma de corriente, para estar siempre en condiciones de funcionamiento.** Esté consciente de los posibles peligros cuando esté usando el producto o cuando esté cambiando los accesorios de la misma.
- **Cuando no esté usándose la aspiradora y antes de dársele servicio debe retirarse la batería.**
- **Usar este producto únicamente con la baterías y el cargadors indicados en el folleto de la herramienta/aparato/paquete de baterías/cargador complementario 988000-842.**
- **Sólo cargue el paquete de baterías con el cargador especificado por el fabricante.** Un cargador adecuado para un tipo paquete de baterías puede significar un riesgo de incendio si se emplea con un paquete de baterías diferente.
- **Utilice los aparatos eléctricos sólo con los paquetes de baterías específicamente indicados.** El empleo de paquetes de baterías diferentes puede presentar un riesgo de incendio.

IMPORTANTES INSTRUCCIONES DE SEGURIDAD








- **Cuando no esté usando el paquete de baterías, manténgala alejado de todo objeto metálico como: clips, monedas, llaves, clavos, tornillos y otros objetos metálicos pequeños que puedan establecer conexión entre ambas terminales.** Establecer una conexión directa entre las dos terminales puede causar chispas, quemaduras o incendios.
- **Siempre retire el paquete de baterías de los aparatos cuando esté ensamblando partes, realizando ajustes, limpiando o cuando ésta no esté en uso.** Si retira el paquete de baterías, evitará arranques accidentales que podrían provocar lesiones graves.
- **No utilice un paquete de baterías o un aparato que esté dañado o modificado.** Las baterías dañadas o modificadas pueden tener un funcionamiento impredecible que provoque incendios, explosiones o riesgo de lesiones.
- **No modifique o intente reparar un aparato o paquete de baterías que esté dañado.**
- **Para reducir el riesgo de lesiones personales graves, nunca use el paquete de baterías o un producto inalámbrico en presencia de una llama abierta o a una temperatura superior a los 129 °C (265 °F).** Una batería que explotó puede expulsar escombros y productos químicos. Si ha quedado expuesto a la explosión de una batería, lávese de inmediato con agua.
- **Evite un arranque accidental de la unidad. Asegúrese de que el interruptor esté en la posición de apagado antes de conectar la herramienta.** Portar las herramientas eléctricas con el dedo en el interruptor, o conectarlas con el interruptor puesto, propicia accidentes.
- **Si se maltratan las baterías, puede derramarse líquido de las mismas; evite todo contacto con éste. En caso de contacto, lávese con agua. Si el líquido llega a tocar los ojos, además busque atención médica.** El líquido de las baterías puede causar irritación y quemaduras.
- **No cargue aparatos de baterías en lugares mojados o húmedos. No lo utilice, guarde o cargue la paquete de baterías o la product unidad en lugares donde la temperatura sea inferior a 10 °C (50 °F) o superior a 38 °C (100 °F).** No guarde la herramienta a la intemperie ni en el interior de vehículos.
- **Protéjase los pulmones. Use una careta o mascarilla contra el polvo si la operación genera mucho polvo.** Con el cumplimiento de esta regla se reduce el riesgo de lesiones corporales serias.
- **Revise para ver si hay desalineación o atoramiento de piezas móviles, ruptura de piezas o toda otra condición que pueda afectar el funcionamiento de el producto. Si se daña la herramienta, llévela a servicio antes de volver a utilizarla.** Numerosos accidentes son causados por herramientas mal cuidadas.
- **Sólo utilice accesorios recomendados por el fabricante para cada modelo en particular.** Accesorios que pueden ser adecuados para una producto pueden significar un riesgo de lesiones si se emplean con otra producto.
- **No permita que gasolina, aceites, productos a base de petróleo, etc., lleguen a tocar las piezas de plástico.** Dichos productos contienen compuestos químicos que pueden dañar, debilitar o destruir el plástico.
- **Verifique que un técnico de reparación calificado haga el mantenimiento usando solo repuestos idénticos.** De esta manera se mantiene la seguridad del product.
- **Esta producto está diseñada para uso casero solamente.**
- **Este producto no contiene piezas que puedan repararse.**
- **Guarde estas instrucciones. Consúltelas con frecuencia y empléelas para instruir a otras personas que puedan utilizar esta aspiradora de mano. Si presta a alguien esta aspiradora de mano, facilítele también las instrucciones.**

SÍMBOLOS

Las siguientes palabras de señalización y sus significados tienen el objeto de explicar los niveles de riesgo relacionados con este producto.

| SÍMBOLO | SEÑAL | SIGNIFICADO |
|-----------------------------------------------------------------------------------|---------------------|---------------------------------------------------------------------------------------------------------------------------------------------------------------------------------------|
|  | PELIGRO: | Indica una situación peligrosa, la cual, si no se evita, causará la muerte o lesiones serias. |
|  | ADVERTENCIA: | Indica una situación peligrosa, la cual, si no se evita, podría causar la muerte o lesiones serias. |
|  | PRECAUCIÓN: | Indica una situación peligrosa, la cual, si no se evita, podría causar lesiones menores o leves. |
| | AVISO: | (Sin el símbolo de alerta de seguridad) Indica la información que se considera importante, pero no relacionada con lesiones potenciales (por ej. en relación a daños a la propiedad). |

Es posible que se empleen en este producto algunos de los siguientes símbolos. Le suplicamos estudiarlos y aprender su significado. Una correcta interpretación de estos símbolos le permitirá utilizar mejor y de manera más segura el producto.

| SÍMBOLO | NOMBRE | DENOMINACIÓN/EXPLICACIÓN |
|-------------------------------------------------------------------------------------|-------------------------------|---------------------------------------------------------------------------------------------------------------------------------------------------------------------------------------------------------------------------------------------------------------------------------------------------------------------------------|
|  | Alerta de seguridad | Indica un peligro posible de lesiones personales. |
|  | Lea el manual del operador | Para reducir el riesgo de lesiones, el usuario debe leer y comprender el manual del operador antes de usar este producto. |
|  | Protección ocular | Siempre póngase protección ocular con protección lateral con la marca de cumplimiento de la norma ANSI Z87.1. |
|  | Alerta de condiciones húmedas | Riesgo de incendio y quemaduras. No exponga la batería, el compartimento de la batería o componentes electrónicos a la lluvia, el agua o líquidos. Cierre la tapa durante el uso. |
|  | Cabello largo | Riesgo de que el cabello largo quede atrapado en la entrada de aire. |
|  | Motor de cabeza | No haga funcionar si el motor de cabeza no está bien cerrada. |
|  | Símbolo de reciclado | Este producto utiliza baterías de iones de litio (Li-ion). Es posible que algunas leyes municipales, estatales o federales prohíban desechar las baterías en la basura normal. Consulte a las autoridades reguladoras de desechos para obtener información en relación con las alternativas de reciclado y desecho disponibles. |
| V | Volts | Voltaje |
| min | Minutos | Tiempo |
| == | Corriente continua | Tipo o característica de corriente |
| n _o | Velocidad en vacío | Velocidad de rotación, en vacío |
| .../min | Por minuto | Revoluciones, carreras, velocidad superficial, órbitas, etc., por minuto |

ARMADO

DESEMPAQUETADO

Este producto requiere armarse.

- Extraiga cuidadosamente de la caja el aparato y los accesorios. Todos los elementos enumerados en la sección **Incluye** se deben incluir al momento de la compra.

ADVERTENCIA:

Las piezas incluidas en esta sección de *Armado* no vienen ensambladas en el producto de fábrica y requieren la instalación por parte del cliente. El uso de un producto que pueda haber sido armado de manera incorrecta podría provocar lesiones personales graves.

- Si hay alguna pieza dañada o faltante, apeler le 1-800-525-2579. En México, llame al 01-800-843-1111.

ADVERTENCIA:

Si falta o está dañada alguna pieza, no utilice este producto sin haber reemplazado la pieza. Usar este producto con partes dañadas o faltantes puede causar lesiones serias al operador.

ADVERTENCIA:

No intente modificar este producto ni hacer aditamentos ni accesorios no recomendados para el mismo. Cualquier alteración o modificación constituye maltrato el cual puede causar una condición peligrosa, y como consecuencia posibles lesiones corporales serias.

MONTAJE DE LA ASPIRADORA EN SECO O HÚMEDO

Vea las figuras 1 a 8, páginas 9 y 10.

El filtro de uso en húmedo, los accesorios, las ruedas y la manguera están empacados dentro del receptáculo y deben instalarse antes de utilizar la aspiradora de uso en húmedo / seco.

- Coloque la aspiradora sobre una superficie plana en posición vertical.
- Presione los pestillos en el costado del receptáculo.
- Retire el conjunto del cabezal del motor.

NOTA: El filtro de uso en seco está preinstalado en el cabezal del motor.

- Retire el filtro de uso húmedo, la manguera flexible, la boquilla para pisos, las ruedas, los tubos de extensión, los ganchos de almacenamiento y los tornillos del receptáculo.
- Coloque los clips de almacenamiento en el cabezal motor.
- Alinee los orificios de los ganchos de almacenamiento con los orificios del cabezal motor. Coloque tornillos y ajústelos con firmeza.
- Voltee el receptáculo con cuidado.

- Deslice las ruedas en las ranuras de la parte inferior del receptáculo y presione hacia abajo.
- Instale tornillos en los orificios de las ruedas. Ajústelos firmemente.
- Asegúrese de que las ruedas estén seguras y luego vuelva a dar vuelta el receptáculo para colocarlo en posición vertical.
- Alinee la lengüeta elevada del puerto de la aspiradora con la ranura de la manguera flexible; deslícelos juntos y ajústelos con firmeza girándolos hasta que el tubo encaje en la posición de bloqueo. Verifique el ajuste después del primer uso y vuelva a ajustar si es necesario.

AVISO:

Cuando se ensambla correctamente, la manguera es difícil de separar. Si se puede quitar girándola fácilmente, la manguera no está bloqueada. Continúe girando las piezas para unir las hasta que la manguera encaje en la posición de bloqueo. Si la manguera no está en la posición bloqueada, podría salirse durante el uso.

- Conecte varillas de extensión o accesorios según sea necesario. Consulte **Instalación/Extracción de accesorios** más adelante en el manual.
- Para quitar la manguera, gírela y retírela del puerto de la aspiradora.

Para ensamblar el aparato para aspirar en seco:

- Asegúrese de que el filtro de uso en seco esté al ras contra el cabezal del motor y gire la tapa del filtro hacia la derecha para asegurarse de que quede bien ajustada.

NOTA: El filtro de uso en seco está preinstalado en el cabezal del motor.

- Coloque el conjunto del cabezal del motor dentro del receptáculo y empuje hacia abajo.

Para ensamblar el aparato para aspirar en húmedo:

- Retire el conjunto del cabezal del motor del receptáculo.
- Dé vuelta el conjunto del cabezal del motor con el filtro de uso en seco hacia arriba.
- Gire la tapa del filtro hacia la izquierda para aflojarla.
- Retire la tapa del filtro y el filtro de uso en seco del cabezal del motor.
- Deslice el filtro de uso en húmedo en el cabezal del motor y tire hacia abajo hasta que cubra completamente el portafiltro.
- Coloque la tapa del filtro sobre el filtro y gírela hacia la derecha para ajustarla.
- Coloque el conjunto del cabezal del motor dentro del receptáculo y empuje hacia abajo.

NOTA: Para volver a montar la herramienta para aspirar en seco, retire el cabezal del motor y colóquelo boca abajo. Retire la tapa del filtro y el filtro de uso en húmedo del portafiltro. Deslice el filtro de uso en seco en el portafiltro y asegúrelo con la tapa del filtro. Coloque el conjunto del cabezal del motor dentro del receptáculo y empuje hacia abajo.

FUNCIONAMIENTO

ADVERTENCIA:

No permita que su familiarización con las herramientas lo vuelva descuidado. Tenga presente que un descuido de un instante es suficiente para causar una lesión grave.

ADVERTENCIA:

Siempre retire el paquete de baterías de la herramienta cuando esté ensamblando partes, realizando ajustes, limpiando o cuando ésta no esté en uso. Retirando el paquete de baterías se evita arrancar accidentalmente la unidad, lo cual puede causar lesiones serias.

ADVERTENCIA:

Siempre póngase protección ocular con protección lateral con la marca de cumplimiento de la norma ANSI Z87.1. No seguir esta advertencia podría provocar que salgan objetos despedidos hacia sus ojos y otras lesiones graves.

ADVERTENCIA:

No utilice ningún aditamento o accesorio no recomendado por el fabricante de este producto. El empleo de aditamentos o accesorios no recomendados podría causar lesiones serias.

APLICACIONES

Este producto puede emplearse para los fines siguientes:

- Limpieza liviana con aspiradora de superficies húmedas o secas
- Soplar superficies duras, como entradas y pasillos

INSTALACIÓN/DESMONTAR DEL PAQUETE DE BATERÍAS

Vea la figura 9, página 11.

- Coloque el interruptor en la posición de **APAGADO (O)**.
- Abra la tapa de las baterías.
- Coloque el paquete de baterías en el producto como se muestra.
- Asegúrese de que el pestillo de la parte superior de la batería encaje en su lugar y de que el paquete quede bien asegurado en la herramienta antes de comenzar a utilizarla.
- Oprima le pestillo para extraer el paquete de baterías.
- Cierre la tapa de las baterías y asegúrese de que esté bien sujeto.

Para ver las instrucciones de carga completas, consulte los manuales del operador del paquete de baterías y los modelos de cargador.

ARRANQUE/APAGADO DE LA ASPIRADORA EN SECO O HÚMEDO

Vea la figura 10, página 11.

ADVERTENCIA:

Para reducir el riesgo de incendio o explosión, no deje el producto funcionando sin atención. Detenga de inmediato la unidad si presenta signos de funcionamiento anormal, como pérdida de succión, líquido o desperdicios en el escape o si escucha ruidos anormales en el motor.

- **Para arrancar la aspiradora en seco o húmedo:** coloque el interruptor en la posición **ALTA (II)** o **BAJA (I)**.
- **Para apagar la aspiradora en seco o húmedo:** coloque el interruptor en la posición de **APAGADO (O)**.

INSTALACIÓN/EXTRACCIÓN DE ACCESORIOS

Vea la figura 11, página 11.

Puede aspirar solo con la manguera flexible o la manguera con accesorios para aspirado.

- Coloque el interruptor en la posición de **APAGADO (O)**.
- Conecte la manguera flexible en el puerto de la aspiradora como se describió anteriormente.
- Conecte el extremo cónico de la manguera flexible en la varilla de extensión. Conecte varillas de extensión o accesorios adicionales según sea necesario.
- Para retirarlo, girar el accesorio o la varilla de extensión y tire para extraerlo de la manguera.

ASPIRADO EN SECO

Vea la figura 12, página 11.

Ensamble el aparato para aspirar en seco como se describió anteriormente en el manual.

Aspire solo elementos lo suficientemente pequeños como para que pasen por la manguera o el accesorio. Al aspirar, asegúrese de que el filtro para uso con elementos secos esté colocado. El desempeño de la aspiradora en seco / húmedo se verá disminuido cuando el receptáculo esté lleno. Al vaciar el receptáculo, compruebe si el filtro de uso en seco debe reemplazarse.

PRECAUCIÓN:

En condiciones de humedad relativa baja, el aspirado de polvo fino con la aspiradora en seco o húmedo puede causar una carga estática, que resultará en una descarga estática. Para reducir la descarga estática al usar la aspiradora, agregue humedad al aire con un humidificador.

FUNCIONAMIENTO

ASPIRADO EN HÚMEDO

Vea la figura 13, página 11.

Ensamble el aparato para aspirar en húmedo como se describió anteriormente en el manual.

Cuando aspire elementos húmedos, recuerde que su aspiradora en seco o húmedo está equipada con un enchufe de seguridad dentro de la carcasa de la unidad del filtro. Este enchufe de seguridad está diseñado para desactivar la succión cuando el receptáculo llega a su capacidad máxima. Cuando el receptáculo esté lleno, apague la aspiradora para trabajo en seco / húmedo y vacíelo como se describe en la sección Mantenimiento.

ADVERTENCIA:

Al aspirar líquido, asegúrese de que el tanque de la aspiradora no esté sumergido ni se moje con líquido, ya que podría provocar una descarga, la falla de la aspiradora o lesiones personales.

SOPLAR

Vea las figuras 14 y 15, página 11.

Para ensamblar el aparato para soplar:

- Retire el paquete de baterías.
- Retire la manguera flexible del puerto de la aspiradora e instálela en el puerto de la sopladora en la carcasa del motor.
- Conecte varillas de extensión o accesorios según sea necesario.

Para evitar que la suciedad se esparza, sople alrededor de los extremos del montón de residuos. Nunca sople directamente en el centro del montón. Tenga cuidado con niños, mascotas, ventanas abiertas y vehículos recién lavados, y retire los desechos de manera segura mediante soplado.

MANTENIMIENTO

ADVERTENCIA:

Al dar servicio a la unidad, sólo utilice piezas de repuesto idénticas. El empleo de piezas diferentes podría causar un peligro o dañar el producto.

MANTENIMIENTO GENERAL

Evite el empleo de solventes al limpiar piezas de plástico. La mayoría de los plásticos son susceptibles a diferentes tipos de solventes comerciales y pueden resultar dañados. Utilice paños limpios para eliminar la suciedad, el polvo, el aceite, la grasa, etc.

ADVERTENCIA:

No permita en ningún momento que fluidos para frenos, gasolina, productos a base de petróleo, aceites penetrantes, etc., lleguen a tocar las piezas de plástico. Las sustancias químicas pueden dañar, debilitar o destruir el plástico, lo cual a su vez puede producir lesiones corporales serias.

CÓMO QUITAR LOS RESIDUOS DEL RECEPTÁCULO

Vea la figura 16, página 11.

El receptáculo debe inspeccionarse, vaciarse y limpiarse después de cada uso para obtener la máxima eficiencia.

Residuos secos:

- Retire el paquete de baterías.
- Presione los pestillos y retire el conjunto del cabezal del motor.
- Retire la cubierta filtro y el filtro de uso para elementos secos.
- Inspeccione el filtro, sacuda ligeramente para remover el polvo o suciedad del filtro o reemplácelo según sea necesario.
- Vacíe el receptáculo; lávelo de ser necesario.
- Vuelva a colocar el filtro de uso en seco y la tapa del filtro.
- Antes de volver a colocar el conjunto del cabezal del motor, asegúrese de que todas las piezas estén completamente secas.
- Coloque el conjunto del cabezal del motor dentro del receptáculo y empuje hacia abajo.

MANTENIMIENTO

Residuos líquidos:

- Retire el paquete de baterías.
- Presione los pestillos y retire el conjunto del cabezal del motor.
- Retire y limpie el filtro de uso en húmedo. Deje que el filtro se seque por completo antes de volver a colocarlo.

NOTA: Reemplace el filtro si está desgastado o dañado.

- Quite el tapón de drenaje.
- Vacíe el receptáculo; enjuáguelo si es necesario. Antes de volver a colocar el conjunto del cabezal del motor, asegúrese de que todas las piezas estén completamente secas.
- Coloque el conjunto del cabezal del motor dentro del receptáculo y empuje hacia abajo.
- Vuelva a colocar el tapón de drenaje.

PRECAUCIÓN:

No permita que el líquido recogido permanezca en el receptáculo por un período de tiempo prolongado. Puede formarse humedad en el compartimento del motor y reducir su vida útil.

PRECAUCIÓN:

No invierta la unidad, ya que puede ingresar líquido en la unidad del motor.

ADVERTENCIA:

Nunca use una manguera, agua ni otros líquidos para limpiar o enjuagar el motor de cabeza, compartimento de la batería o paquete de baterías. Los líquidos corrosivos, el agua y las sustancias químicas pueden ingresar a el motor de cabeza y/o compartimento de la batería y dañarlos, lo que podría resultar en un corto circuito, mayor riesgo de incendio y lesiones personales graves.

ALMACENAMIENTO

Vea las figuras 16 y 17, página 11.

- Limpie todo el material extraño de la aspiradora en seco o húmedo.
- Limpie el exterior del receptáculo con agua templada y jabón suave.
- Vacíe y limpie el receptáculo, la manguera flexible, las varillas y los accesorios con agua templada y jabón suave, y deje secar por completo antes de almacenarlos.
- Almacene la manguera flexible y los accesorios dentro del receptáculo o en las áreas de almacenamiento ubicadas en el cabezal del motor y el receptáculo.

NOTA: Para montar la varilla de extensión con sujetador en el receptáculo, coloque la varilla en el soporte del sujetador y deslícela hacia abajo para asegurarla en su lugar.

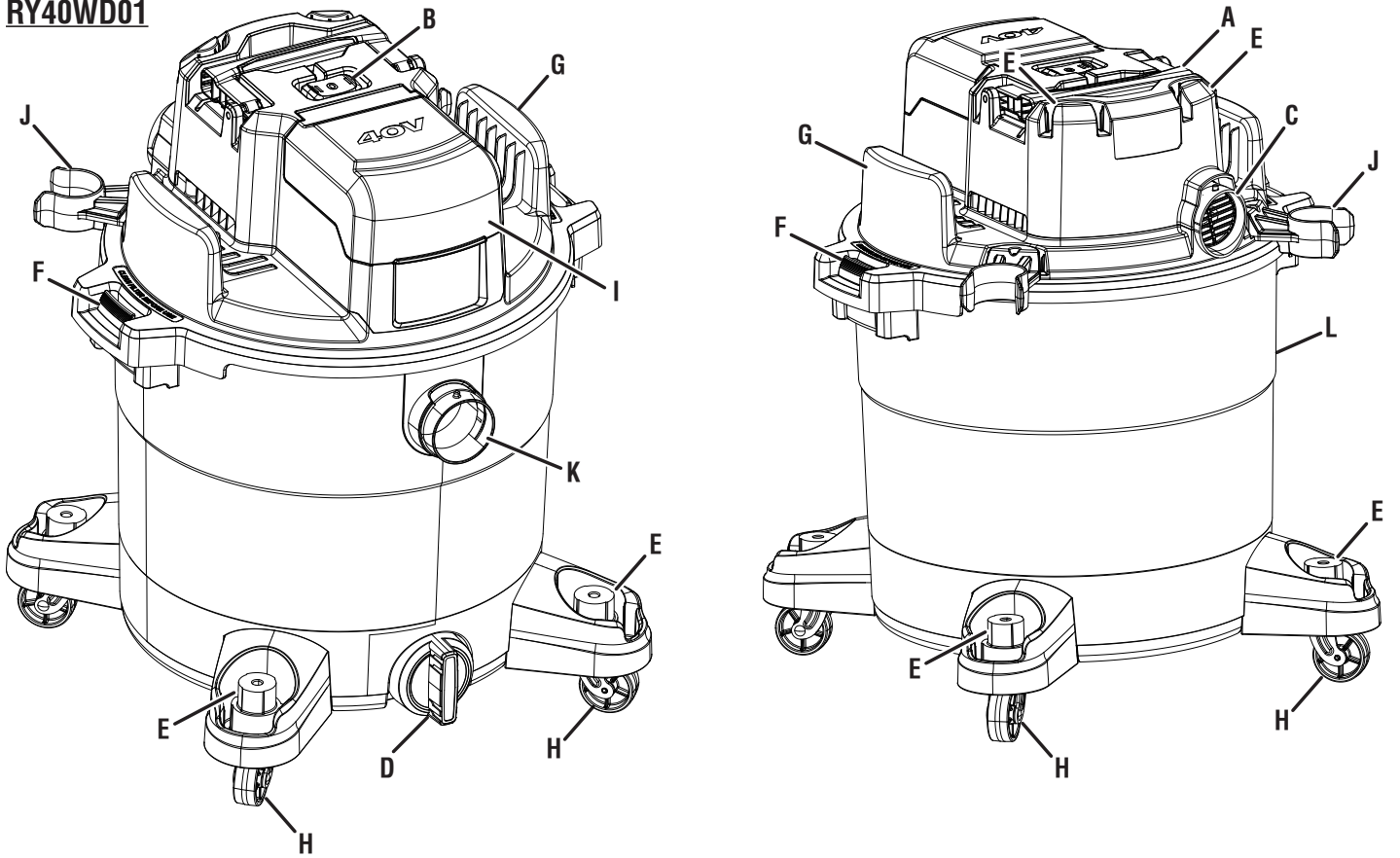
- El receptáculo debe desinfectarse según sea necesario antes de almacenarlo por períodos prolongados.
- Almacene bajo techo, en un lugar al cual no puedan acceder niños. Evite que la unidad entre en contacto con agentes corrosivos como productos químicos para jardinería y sales para derretir el hielo.

ACCESORIOS

Busque estos accesorios donde adquirió este producto o llame al 1-800-525-2579. En México, llame al 01-800-843-1111:

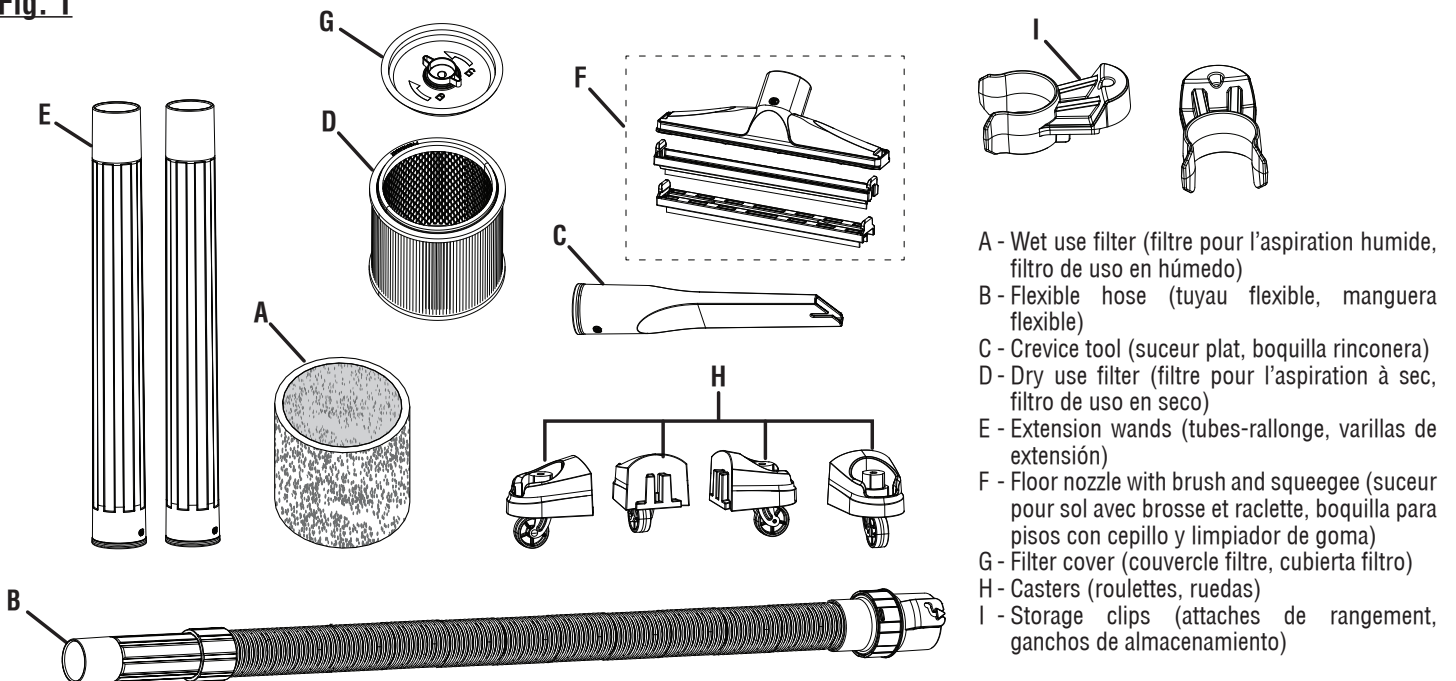
- Filtro de uso en seco019166001025
- Filtro de uso en húmedo.....019166001055

RY40WD01



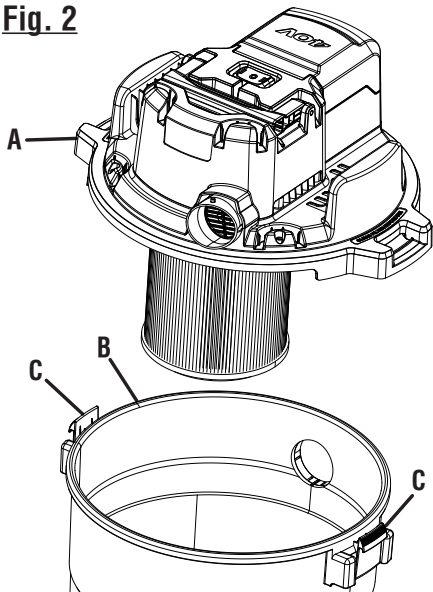
- | | | |
|---------------------------------------------------------------------------------------------|---------------------------------------------------------------------------------------|----------------------------------------------------------------------|
| A - Handle (poignée, mango) | E - Accessory storage area (rangement pour accessoires, almacenamiento de accesorios) | I - Battery cover (couverture des piles, tapa de las baterías) |
| B - High/Off/Low switch (Interrupteur élevée/arrêt/basse, interruptor de alto/bajo/apagado) | F - Locking latches (loquets de verrouillage, fijaciones de bloqueo) | J - Storage clips (attaches de rangement, ganchos de almacenamiento) |
| C - Blower port (orifice de soufflante, abertura de la sopladora) | G - Hose wrap (enrouleur de flexible, enrollar el manguera) | K - Vacuum port (orifice d'aspiration, abertura para aspiración) |
| D - Drain plug (bouchon de vidange, tapón de drenaje) | H - Casters (roulettes, ruedas) | L - Canister (boîte, receptáculo) |

Fig. 1



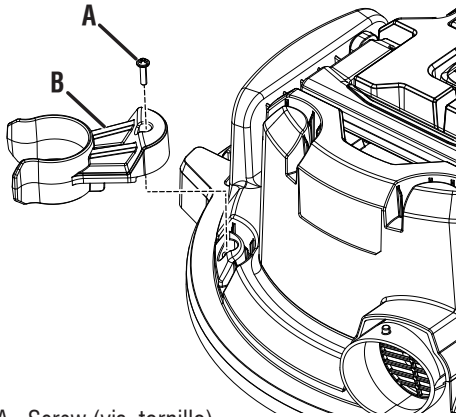
- | |
|-----------------------------------------------------------------------------------------------------------------------------------------|
| A - Wet use filter (filtre pour l'aspiration humide, filtro de uso en húmedo) |
| B - Flexible hose (tuyau flexible, manguera flexible) |
| C - Crevice tool (suceur plat, boquilla rinconera) |
| D - Dry use filter (filtre pour l'aspiration à sec, filtro de uso en seco) |
| E - Extension wands (tubes-rallonge, varillas de extensión) |
| F - Floor nozzle with brush and squeegee (suceur pour sol avec brosse et raclette, boquilla para pisos con cepillo y limpiador de goma) |
| G - Filter cover (couverture filtre, cubierta filtro) |
| H - Casters (roulettes, ruedas) |
| I - Storage clips (attaches de rangement, ganchos de almacenamiento) |

Fig. 2



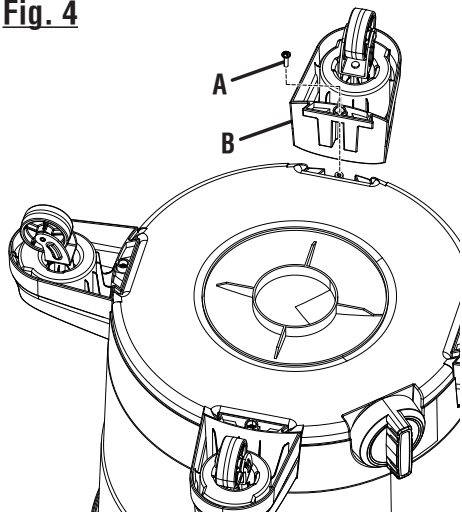
- A - Motor head assembly (ensemble du moteur de tête, conjunto del motor de cabeza)
- B - Canister (boîte, receptáculo)
- C - Locking latch (loquet de verrouillage, fijación de bloqueo)

Fig. 3



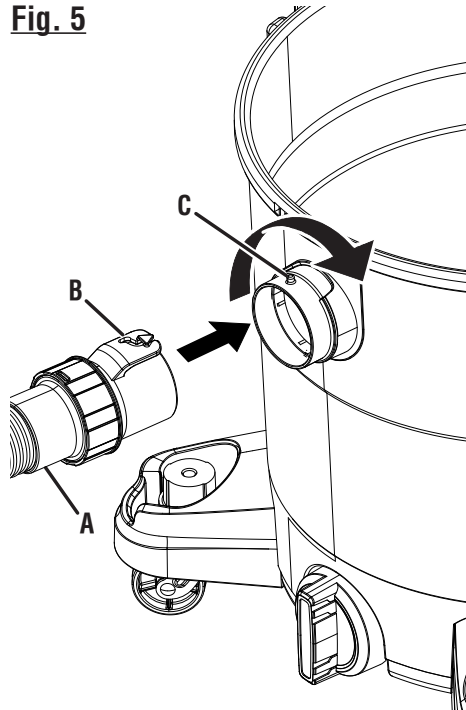
- A - Screw (vis, tornillo)
- B - Storage clip (attache de rangement, gancho de almacenamiento)

Fig. 4



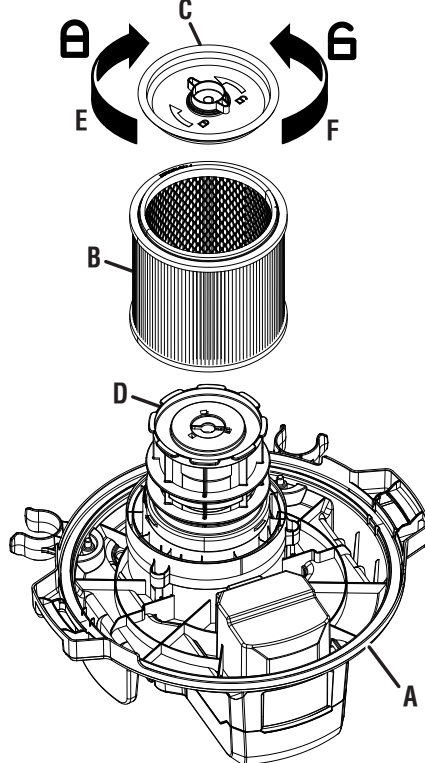
- A - Screw (vis, tornillo)
- B - Caster (roulette, rueda)

Fig. 5



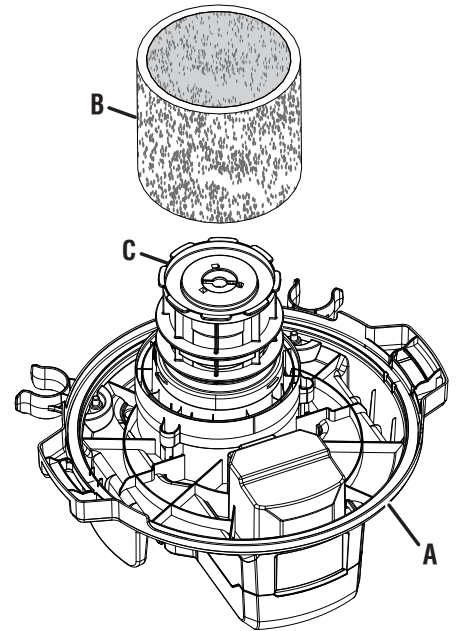
- A - Flexible hose (tuyau flexible, manguera flexible)
- B - Slot (fente, ranura)
- C - Tab (languette, lengüeta)

Fig. 6



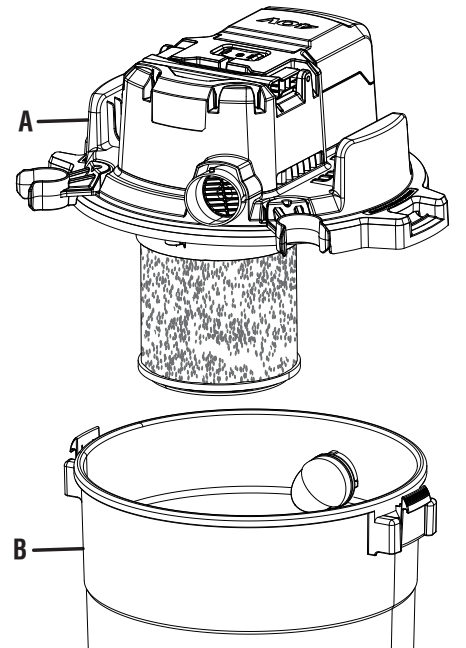
- A - Motor head (moteur de tête, motor de cabeza)
- B - Dry use filter (filtre pour l'aspiration à sec, filtro de uso en seco)
- C - Filter cover (couvercle filtre, cubierta filtro)
- D - Filter cage (cage à filtre, portafiltro)
- E - To lock (pour verrouiller, para asegurar)
- F - To unlock (pour déverrouiller, para desbloquear)

Fig. 7



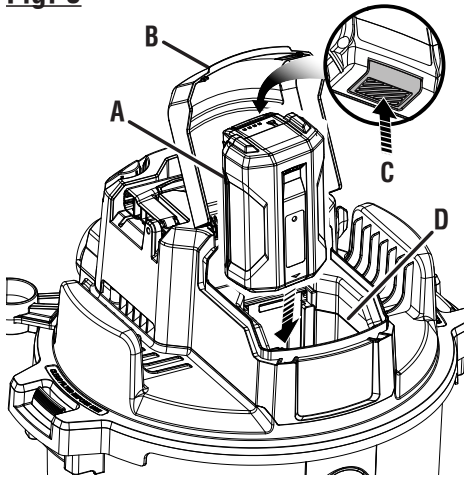
- A - Motor head (moteur de tête, motor de cabeza)
- B - Wet use filter (filtre pour l'aspiration humide, filtro de uso en húmedo)
- C - Filter cage (cage à filtre, portafiltro)

Fig. 8



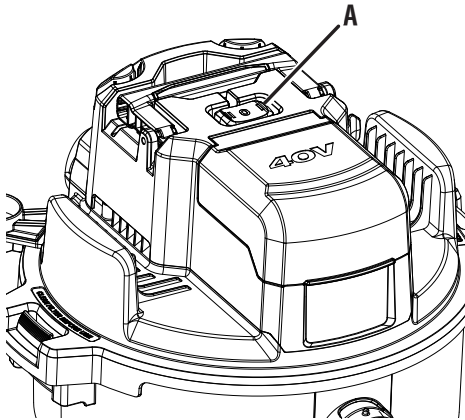
- A - Motor head assembly (ensemble du moteur de tête, conjunto del motor de cabeza)
- B - Canister (boîte, receptáculo)

Fig. 9



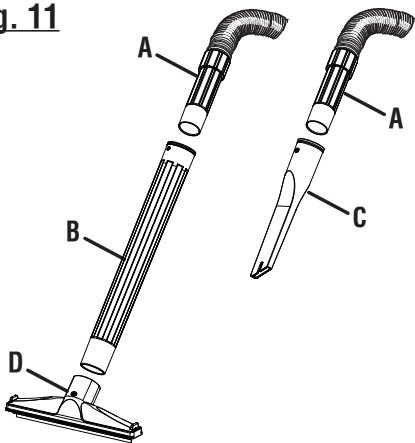
- A - Battery pack (bloc-piles, paquete de baterías)
- B - Battery cover (couvercle des piles, tapa de las baterías)
- C - Latch (loquet, pestillo)
- D - Battery port (logement de piles, compartimiento de la batería)

Fig. 10



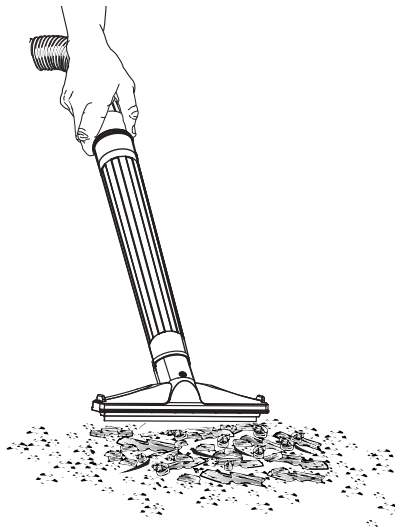
- B - High/Off/Low switch (Interrupteur élevée/arrêt/basse, interruptor de alto/bajo/apagado)

Fig. 11



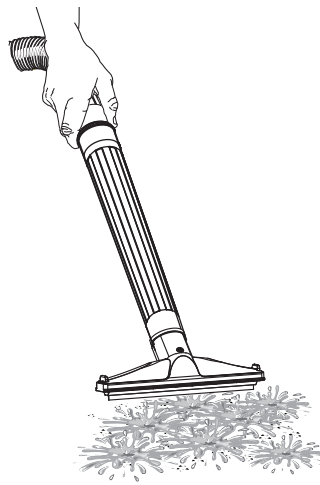
- A - Flexible hose (tuyau flexible, manguera flexible)
- B - Extension wand (tube-rallonge, varilla de extensión)
- C - Crevice tool (suceur plat, boquilla rinconera)
- D - Floor nozzle (suceur pour sol, boquilla para pisos)

Fig. 12



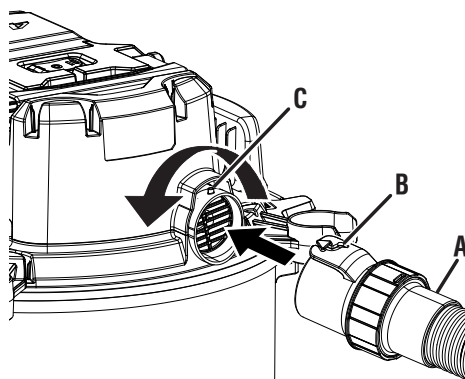
**DRY VACUUMING
ASPIRATION À SEC
ASPIRADO EN SECO**

Fig. 13



**WET VACUUMING
ASPIRATION HUMIDE
ASPIRADO EN HÚMEDO**

Fig. 14



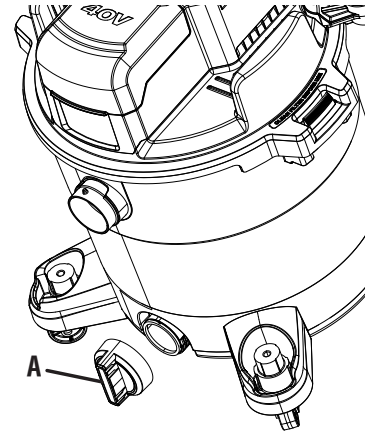
- A - Flexible hose (tuyau flexible, manguera flexible)
- B - Slot (fente, ranura)
- C - Tab (languette, lengüeta)

Fig. 15



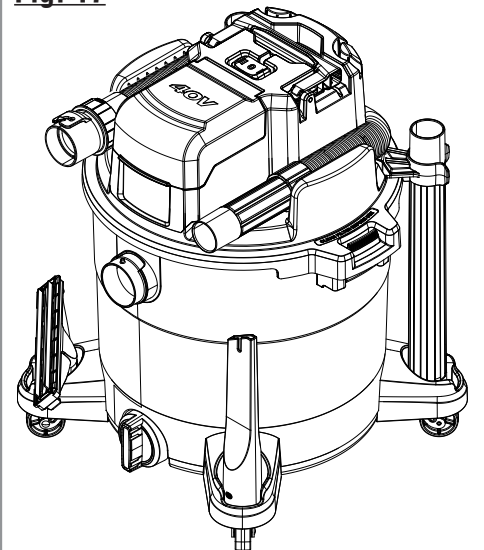
BLOWING / SOUFFLAGE / SOPLAR

Fig. 16



- A - Drain plug (bouchon de vidange, tapón de drenaje)

Fig. 17



**STORAGE POSITION
POSITION DE RANGEMENT
POSICION DEL ALMACENAMIENTO**



OPERATOR'S MANUAL/40V WET/DRY VAC
MANUEL D'UTILISATION/ASPIRATEUR SEC/HUMIDE DE 40 V
MANUAL DEL OPERADOR/ASPIRADORA EN HÚMEDO/SECO DE 40 V
RY40WD01

To request service, purchase replacement parts,
locate an Authorized Service Center or obtain Customer or Technical Support:
Visit **www.ryobitools.com** or call **1-800-525-2579**

If any parts or accessories are damaged or missing, do not return this product to the store.
Call **1-800-525-2579** for immediate service.

Please obtain your model and serial number from the product data plate.
This product is covered under a 3-year limited Warranty. Proof of purchase is required.

MODEL NUMBER* _____ SERIAL NUMBER _____

**Model number on product may have additional letters at the end. These letters designate manufacturing information and should be provided when calling for service.*

RYOBI is a trademark of Ryobi Limited and is used pursuant to a license granted by Ryobi Limited.

Pour faire une demande de réparations ou obtenir des pièces de rechange, trouver un
Centre de réparations agréé pour obtenir un soutien technique ou le Service à la clientèle :
Visiter **www.ryobitools.com** ou en téléphonant au **1-800-525-2579**

Si des pièces ou accessoires sont manquantes ou endommagées, ne pas retourner
ce produit au magasin. Appeler immédiatement au **1-800-525-2579** pour obtenir de l'aide.

Inscrire les numéros de modèle et de série inscrits sur la plaque d'identification du produit.
Ce produit est couvert par une garantie limitée de trois (3) ans. Une preuve d'achat est exigée.

NUMÉRO DE MODÈLE* _____ NUMÉRO DE SÉRIE _____

**Le numéro de modèle sur le produit peut contenir des lettres supplémentaires à la fin. Ces lettres désignent les informations du fabricant et doivent être fournies lors d'un appel de demande de service.*

RYOBI est une marque de Ryobi Limited et est utilisée en vertu d'une licence accordée par Ryobi Limited.

Para obtener servicio, comprar piezas de repuesto, localizar un centro de servicio autorizado
y obtener Servicio o Asistencia Técnica al Consumidor:

Visite **www.ryobitools.com** (en la EE.UU.) o **www.ryobitools.mx** (en México)
o llame al **1-800-525-2579** (en la EE.UU.) o **01-800-843-1111** (en México).

Si hay alguna pieza o accesorios dañada o faltante, no devuelva este producto a la tienda.
Llame al **1-800-525-2579** (en la EE.UU.) o **01-800-843-1111** (en México) para servicio técnico inmediato.

Obtenga su modelo y número de serie de la placa de datos del producto.
Este producto está cubierto con una garantía limitada de 3 años. Se solicita prueba de la compra.

NÚMERO DE MODELO* _____ NÚMERO DE SERIE _____

**El número de modelo que figura en el producto podría tener letras adicionales al final. Estas designan información de fabricación y deben suministrarse cuando llame para obtener asistencia o servicio.*

RYOBI es una marca de Ryobi Limited y se utiliza conforme a una licencia otorgada por Ryobi Limited.

ONE WORLD TECHNOLOGIES, INC.

P.O. Box 1288, Anderson, SC 29622 • Phone 1-800-525-2579
États-Unis, Téléphone 1-800-525-2579 • USA, Teléfono 1-800-525-2579

www.ryobitools.com

This manual was downloaded from

wet-dry-vac.com

The most comprehensive source of information about wet/dry shop vacuums on the Internet!

Wet-dry-vac.com allows you to learn about how to purchase a wet/dry vac, compare and review detailed specifications on hundreds of models, and find compatible filters.

You can also view manuals, parts lists and brochures for hundreds of models. Plus, you can find the best prices for vacuums and filters, and purchase online right from the site.

