

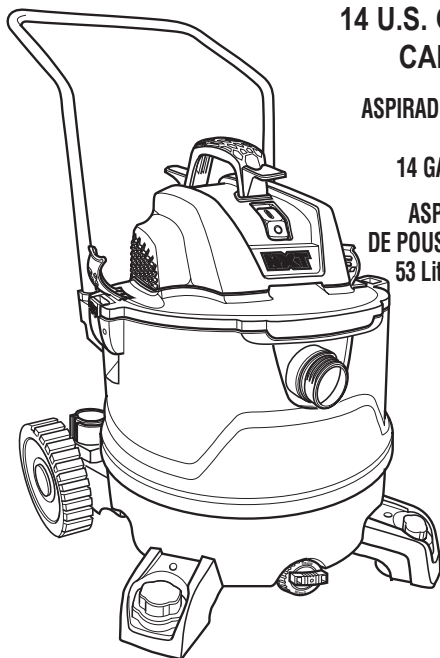


**OWNER'S MANUAL
MANUAL DEL USUARIO
MODE D'EMPLOI**

**14 U.S. GALLON / 53 Liter
CART WET/DRY VAC**

**ASPIRADORA PARA SECO/MOJADO
CON CARRO DE
14 GALONES EE.UU. / 53 Litros**

**ASPIRATEUR DE LIQUIDES ET
DE POUSSIÈRES SUR CHARIOT DE
53 Litres / 14 GALLONS DES É-U**



RT14000

**FOR QUESTIONS OR INFORMATION CONTACT US AT
1-800-4-RIDGID (1-800-474-3443) from the US and Canada
For service parts visit store.ridgid.com/provac**

TABLE OF CONTENTS

- SAFETY INSTRUCTIONS 2
- INTRODUCTION 4
- ASSEMBLY 6
- OPERATION 12
- STORAGE 16
- MAINTENANCE 18
- REPAIR PARTS 20

ÍNDICE DE CONTENIDO

- INSTRUCCIONES DE SEGURIDAD . 21
- INTRODUCCIÓN 23
- ENSAMBLAJE 25
- FUNCIONAMIENTO 31
- ALMACENAMIENTO 35
- MANTENIMIENTO 37
- PIEZAS DE REPUESTO 39

TABLE DES MATIÈRES

- INSTRUCTIONS RELATIVES
À LA SÉCURITÉ 40
- INTRODUCTION 42
- ASSEMBLAGE 44
- FONCTIONNEMENT 50
- RANGEMENT 54
- ENTRETIEN 56
- PIÈCES DE RECHANGE 60

⚠ WARNING:

To reduce the risk of injury, the user must read and understand the owner's manual before using this product.

⚠ ADVERTENCIA:

Para reducir el riesgo de lesiones, el usuario debe leer y comprender el manual del usuario antes de usar este producto.

⚠ AVERTISSEMENT:

Pour réduire les risques de blessures, l'utilisateur doit lire et veiller à bien comprendre le mode d'emploi avant d'utiliser ce produit.

**SAVE THIS MANUAL
FOR FUTURE REFERENCE**

**GUARDE ESTE MANUAL
PARA REFERENCIA FUTURA**

**CONSERVER CE MANUEL
POUR RÉFÉRENCE FUTURE**

Part No. SP7080

Printed in Mexico

IMPORTANT SAFETY INSTRUCTIONS

Safety is a combination of using common sense, staying alert, and knowing how your Wet/Dry Vacuum Cleaner ("Vac") works.

Safety Signal Words

⚠ DANGER: Indicates a hazardous situation which, if not avoided, will result in death or serious injury.

⚠ WARNING: Indicates a hazardous situation which, if not avoided, could result in death or serious injury.

⚠ CAUTION: Indicates a hazardous situation which, if not avoided, could result in minor or moderate injury or property damage.

When using your Vac, always follow basic safety precautions including the following:

⚠ WARNING:
- To reduce the risk of fire, electric shock, or injury:

- Read and understand this manual and all labels on the Wet/Dry Vac before operating.
- Use only as described in this manual.
- Do not leave Vac running while unattended - you may fail to notice important signs indicating abnormal operation such as loss of suction, debris/liquid exiting exhaust, or abnormal motor noises. Immediately stop using Vac if you notice these signs.
- Do not leave Vac when plugged in. Unplug from outlet when not in use and before servicing.
- Sparks inside the motor can ignite flammable vapors or dust. To reduce the risk of fire or explosion, do not use near combustible liquids, gases, or dusts, such as gasoline or other fuels, lighter fluid, cleaners, oil-based paints, natural gas, coal dust, magnesium dust, grain dust, aluminum dust, or gun powder.
- Do not vacuum anything that is burning or smoking, such as cigarettes, matches, or hot ashes.
- To avoid the risk of self-ignition of drum debris, empty drum after each use. Combustible materials, such as rags or

sawdust containing stain or urethane, can be a source of such overheating.

- Do not vacuum drywall dust, cold fireplace ash, or other fine dusts with standard filter. These may pass through the filter and be exhausted back into the air. Use a fine dust filter instead.
- To reduce the risk of inhaling toxic vapors, do not vacuum or use near toxic or hazardous materials.
- To reduce the risk of electric shock, do not expose to rain or allow liquid to enter motor compartment. Store indoors.
- This Wet/Dry Vac is not intended for use by persons (including children) with reduced physical, sensory, or mental capabilities, or lack of experience and knowledge, unless they have been given supervision or instruction concerning use of the appliance by a person responsible for their safety.
- Do not allow to be used as a toy. Close attention is necessary when used by or near children.
- Do not use with a torn filter or without filter installed except when vacuuming liquids as described in this manual. Dry debris ingested by the impeller may damage the motor or be exhausted into the air.
- Turn off Vac before unplugging.
- To reduce the risk of injury from accidental starting, unplug power cord before changing or cleaning filter.
- Do not unplug by pulling on cord. To unplug, grasp the plug, not the cord.
- Do not use with damaged cord, plug or other parts. If your Vac is not working as it should, has missing parts, has been dropped, damaged, left outdoors, or dropped into water, call customer service.
- Do not pull or carry by cord, use cord as handle, close a door on cord, or pull cord around sharp edges or corners. Do not run Vac over cord. Keep cord away from heated surfaces.
- Do not handle plug, switch, or the Vac with wet hands.

IMPORTANT SAFETY INSTRUCTIONS

- Use only extension cords that are rated for outdoor use. Extension cords in poor condition or too small in wire size can pose fire and shock hazards. To reduce the risk of these hazards, be sure the cord is in good condition and that liquid does not contact the connection. Do not use an extension cord with conductors smaller than 1,3 mm² (16 AWG).
- This Wet/Dry Vac is double-insulated, eliminating the need for a separate grounding system. Use only identical replacement parts. Read the instructions for Servicing Double-Insulated Wet/Dry Vacs before servicing.
- Do not put any object into ventilation openings. Do not vacuum with any ventilation openings blocked; keep free of dust, lint, hair or anything that may reduce air flow.
- Keep hair, loose clothing, fingers, and all parts of body away from openings and moving parts.
- To reduce the risk of falls, use extra care when cleaning on stairs.
- To reduce the risk of back injury or falls, do not lift a Vac that is heavy with liquid or debris. Partially empty by scooping debris or draining liquid.
- To reduce the risk of personal injury or damage to Vac, use only RIDGID recommended accessories.
- When using as a blower:
 - Direct air discharge only at work area.
 - Do not direct air at bystanders.
 - Keep children away when blowing.
 - Do not use blower for any job except blowing dirt and debris.
 - Do not use as a sprayer.
- To reduce the risk of eye injury, wear safety eyewear. The operation of any utility Vac or blower can result in foreign objects being blown into the eyes, which can result in severe eye damage.
- To reduce the risk of being struck by, or pulled down by, a rolling Vac, block the casters when using on any uneven or sloped surface.

⚠ CAUTION:

- To reduce the risk of hearing damage, wear ear protectors when using for extended hours or in a noisy area.
- For dusty operations, wear dust mask.
- Static shocks are common when the relative humidity of the air is low. Vacuuming fine debris with your Vac can deposit static charge on the hose or Vac. To reduce the frequency of static shocks in your home or when using this Vac, add moisture to the air with a humidifier.

Observe the following warnings that appear on the motor housing of your Vac:



DOUBLE INSULATED -
GROUNDING NOT REQUIRED.
WHEN SERVICING USE ONLY
IDENTICAL REPLACEMENT PARTS.

⚠ WARNING:

- For your own safety, read and understand owner's manual.
- Do not run unattended.
- Do not pick up hot ashes, coals, flammable, combustible / self-igniting, toxic, or other hazardous materials.
- Do not use around explosive liquids or vapors.

⚠ WARNING:

To reduce the risk of electric shock -
do not expose to rain - store indoors.

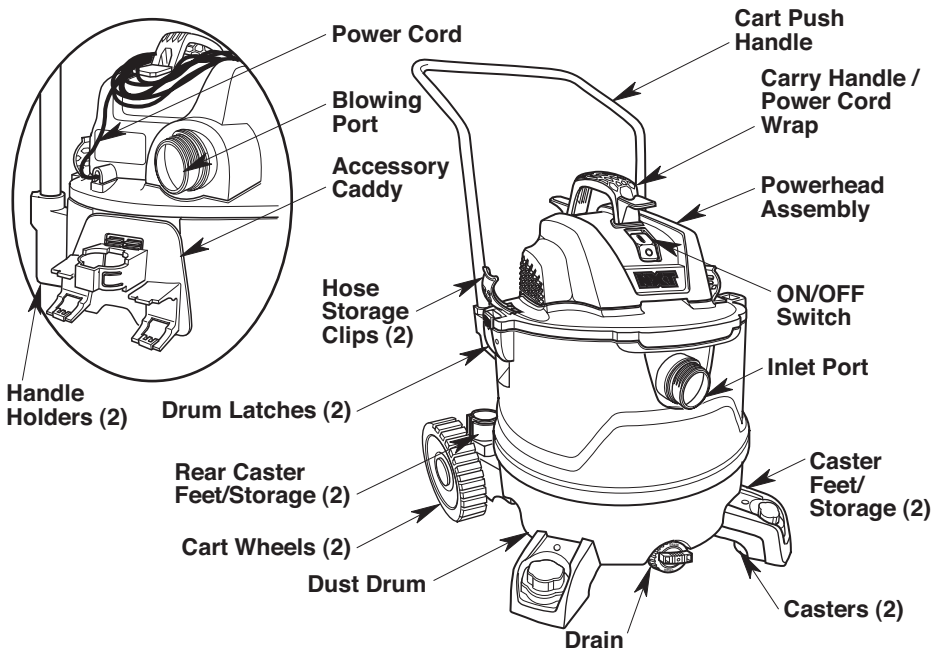
SAVE THIS MANUAL

INTRODUCTION

This Cart Wet/Dry Vac is intended for house-hold use. It may be used for vacuuming wet or dry media and may be used as a blower.

Read this Owner's Manual to familiarize yourself with the product features and to understand the specific usage of your new Vac.

Getting to Know Your Wet/Dry Vac



Familiarize yourself with the accessories included with the Vac. Each accessory may be used in various ways for vacuuming and blowing debris. Here is a list of the accessories and their uses.

Professional Locking Hose - Provides transfer of vacuum or blowing capability to work site. Provides the means of attaching extension wands and nozzles. Locking Hose 48mm (1-7/8") x 2.4m (8') - Fits 2-1/2" Accessories.

Extension Wands - These wands can be connected together and provide additional length.

Crevice Tool - Used to pick up debris in hard to reach places.

Wet Nozzle - Used for wet pickup on smooth surfaces to pick up liquid and dry the surface in one stroke.

Utility Nozzle - General purpose nozzle for most vacuuming applications.

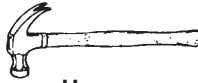
Car Nozzle - Dry pickup nozzle for car interiors and most upholstery cleaning.

INTRODUCTION

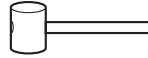
Tools Required



Phillips Screwdriver



Hammer



Mallet

Recommended:



5/8" (16mm)
Socket

Unpacking

This Product Requires Assembly.

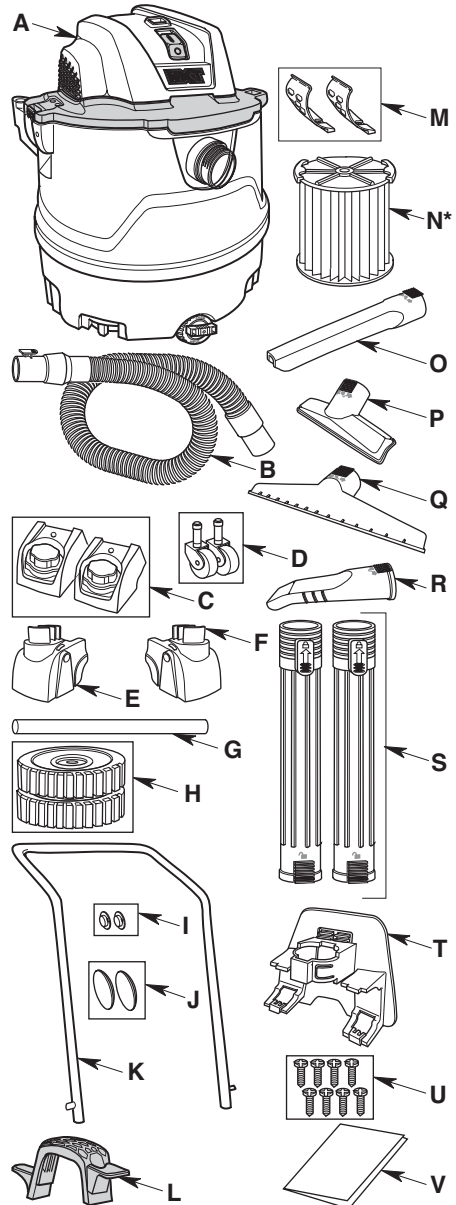
Check all parts from carton against the Carton Contents Parts list.

If any parts are damaged or missing contact 1-800-4-RIDGID (US and Canada), or by email at info@ridgidvac.com.

Carton Contents List

Key	Description	Qty
A	Wet/Dry Vac	1
B	Professional Locking Hose	1
C	Front Caster Feet w/Storage	2
D	Casters.....	2
E	Rear Axle Foot w/Storage (Right)..1	
F	Rear Axle Foot w/Storage (Left)1	
G	Axle	1
H	8" (20cm) Wheels.....	2
I	1/2" (13mm) Cap Nuts	2
J	Wheel Caps	2
K	Cart Push Handle.....	1
L	Carry Handle/Cord Wrap	1
M	Hose Storage Clips.....	2
N*	Qwik Lock™ Filter.....	1
O	Crevice Tool.....	1
P	Utility Nozzle	1
Q	Wet Nozzle.....	1
R	Car Nozzle	1
S	Extension Wands	2
T	Accessory Caddy	1
U	Pan Head Screws #10 x 3/4" (19mm) .8	
V	Owner's Manual	1

* The Filter comes preassembled.

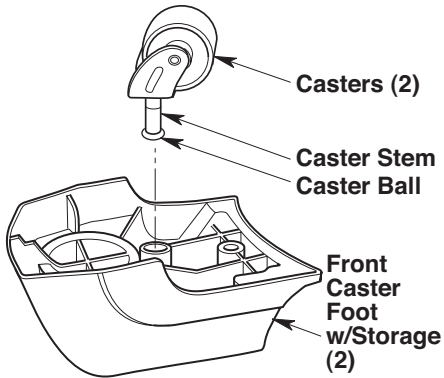


ASSEMBLY

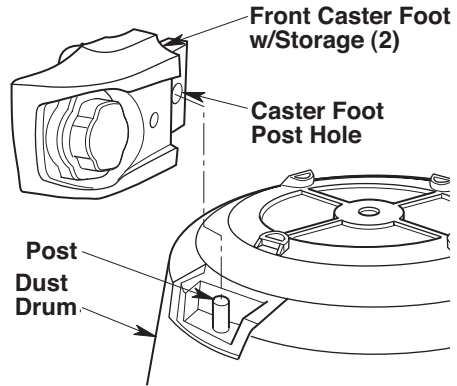
Front Caster/Caster Foot Assembly

NOTE: Remove Powerhead Assembly from Dust Drum prior to assembly of the Caster Feet and Casters (See Attaching/Removing Powerhead Assembly to Dust Drum section, if needed).

1. Turn Dust Drum upside down on floor.
2. Place Caster Foot on floor, as shown. Insert the Stem of a Caster into Socket of Caster Foot.
3. Push on the Caster until the Caster ball end snaps fully into the Socket and the Caster swivel freely. Repeat for the other Caster and Caster Foot.

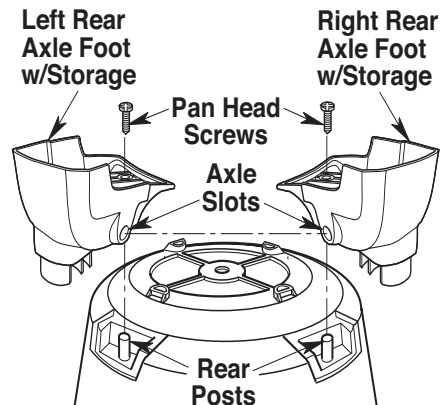


4. Place Caster Foot with Caster over post on bottom of Dust Drum and press firmly in place, as shown.
5. Repeat for the other Caster/Caster Foot Assembly.



Rear Feet, Axle and Wheel Assembly

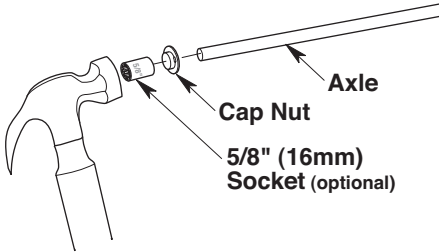
1. While facing the rear of the Dust Drum, place the Right Rear Axle Foot w/Storage over the Left Post and press firmly in place.
2. Repeat for the Left Rear Axle Foot w/Storage on the Right Post. The Axle slots in the Rear Axle Feet w/Storage should be aligned.
3. Use a #10 x 3/4" (19mm) Pan Head Screw (supplied) to secure each Rear Axle Foot w/Storage to the Drum.



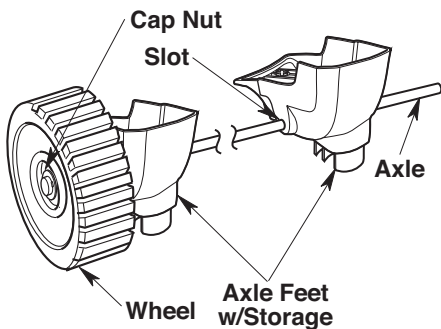
ASSEMBLY

4. Locate the Axle and one Cap Nut. Place the Cap Nut on one end of the Axle and tap gently with hammer until fully seated.

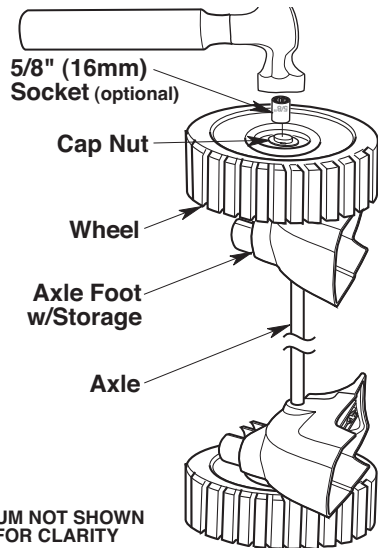
***Tip:** Use a 5/8" (16mm) Socket to securely hold the Cap Nut while hammering the Axle.



5. Slide a Wheel onto the Axle making sure the smooth side of the Wheel faces the Cap Nut.
6. Slide the open end of the Axle through the Axle Slot in one of the Rear Axle Feet w/Storage and continue until the Axle open end extends through the other Rear Axle Foot w/Storage Slot.

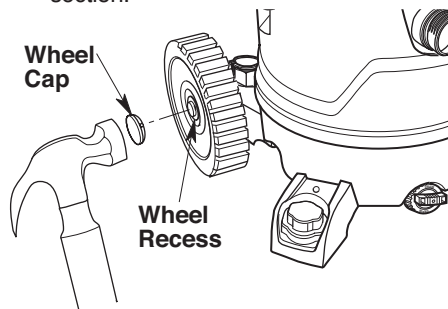


7. Reposition the Dust Drum so the already assembled Wheel is against the floor.
8. Install the second Wheel onto the Axle making sure the smooth side of the Wheel faces upward.
9. Using a hammer, gently tap the remaining Cap Nut onto the open end of the Axle.



DRUM NOT SHOWN FOR CLARITY

10. Turn the Dust Drum with Rear Axle Feet w/Storage and Wheel Assembly upright.
11. Using a mallet or hammer gently tap the Wheel Caps into the Wheel recesses.
12. Continue to the Wet/Dry Vac Assembly section.

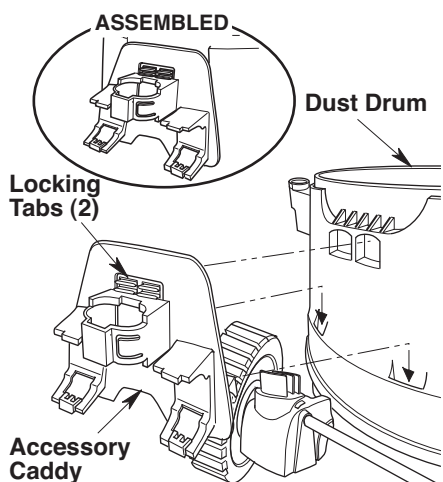


ASSEMBLY

Wet/Dry Vac Assembly:

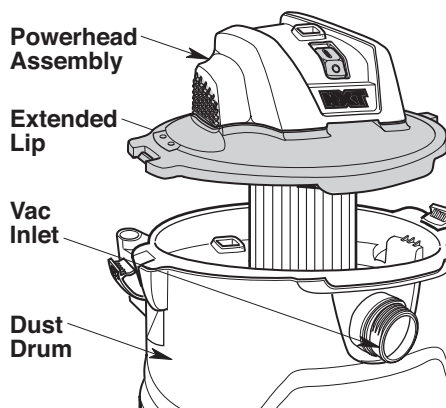
Accessory Caddy Installation

1. Position the Accessory Caddy on the back of the Dust Drum and align the Locking Tabs.
2. Slide the Accessory Caddy Tabs into the Dust Drum and push the Locking Tabs in until you hear a click. Pull on the Accessory Caddy to confirm it has locked into place.

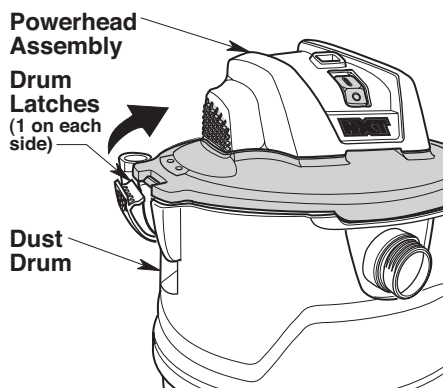


Attaching/Removing Powerhead Assembly to Dust Drum

1. Place Powerhead Assembly on top of Dust Drum with the Extended Lip of the Lid aligned with the Inlet. Be sure Powerhead Assembly is fully seated on the Dust Drum.



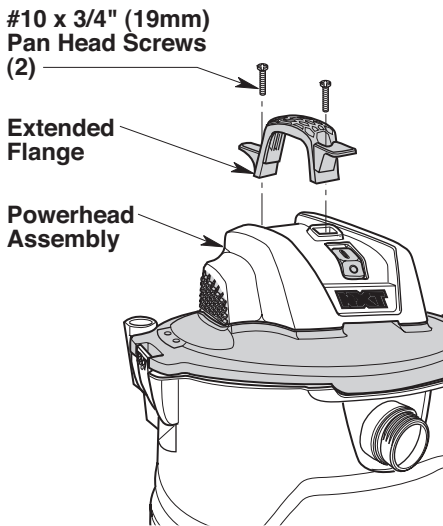
2. Press in on the two Latches located on either side of the Dust Drum until they snap into place, securing the Powerhead Assembly to the Dust Drum.
3. To remove the Powerhead Assembly, pull out on the two Latches and lift Powerhead Assembly from the Dust Drum. Do not force the Latches to rotate more than slightly outside Drum flange.



ASSEMBLY

Carry Handle/Cord Wrap Assembly

1. Locate the Carry Handle/Cord Wrap and the two (2) #10 x 3/4" (19mm) Pan Head Screws in loose parts bag.
2. Position the Carry Handle/Cord Wrap on top of the Powerhead Assembly, with the Carry Handle/Cord Wrap Extended Flange to the rear of the Powerhead Assembly, as shown.
3. Insert a #10 x 3/4" (19mm) Pan Head Screw through the hole at each end of the Carry Handle/Cord Wrap and into the Powerhead Assembly. Tighten securely.

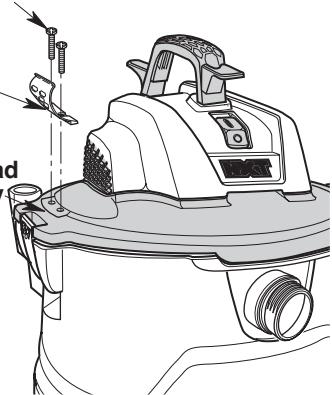


Hose Storage Clips Assembly

1. Locate the two (2) Hose Storage Clips and four (4) #10 x 3/4" (19mm) Pan Head Screws in the loose parts.
2. Place a Clip into the recess next to one of the Latches. The Curve of the Clip should face outward.
3. Insert a #10 x 3/4" (19mm) Pan Head Screw into each mounting hole and tighten securely.
4. Repeat on the other side.

#10 x 3/4" (19mm) Pan Head Screws (2)

Hose Clips
(1 on each side)
Powerhead Assembly

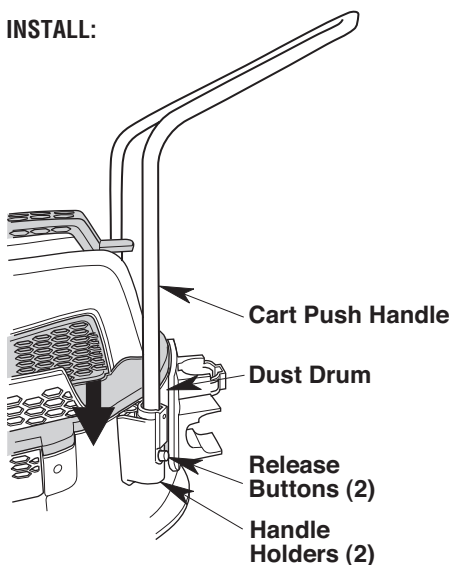


ASSEMBLY

Installing/Removing Cart Push Handle

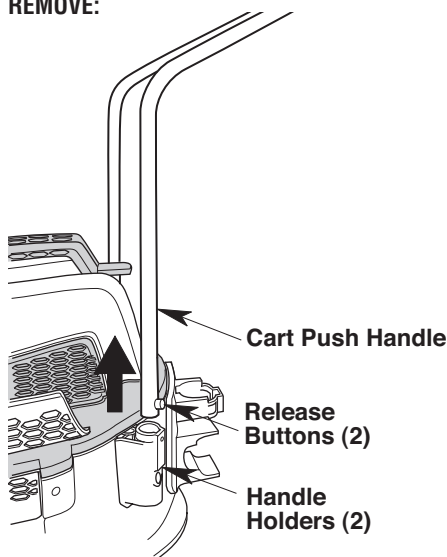
1. **To Install Handle:** Slide the Cart Push Handle into the two Handle Holders found on the rear of the Dust Drum.
2. Press down evenly on the Cart Push Handle until both sides are fully seated in the Handle Holders. The Release Buttons should audibly snap into the Locking Holes.

INSTALL:



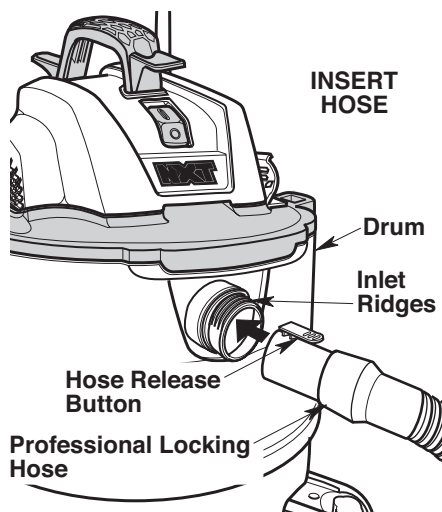
3. **To Remove Handle:** Grasp both sides of the Handle just above the Handle Holders. Press in firmly on the two Release Buttons using the index fingers while pulling up on the Cart Push Handle. It may help to place a foot on one of the rear feet to secure the Vac.

REMOVE:



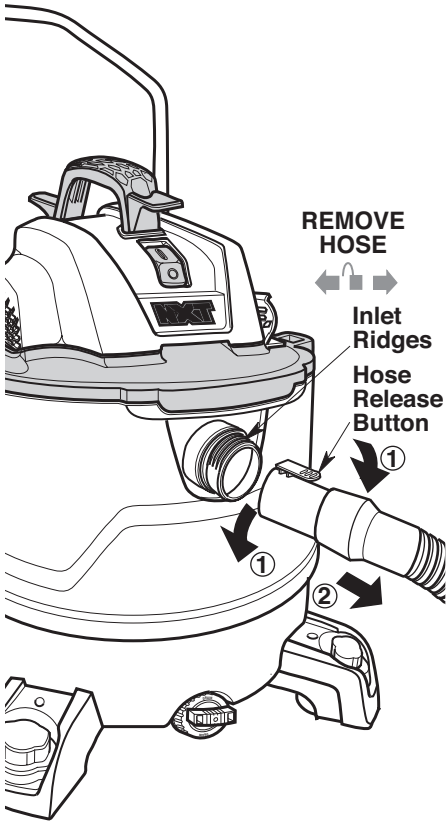
Inserting/Removing the Professional Locking Hose

1. **To Insert Hose:** Locate the end of the Professional Locking Hose and align it with the Drum Inlet. Position the Hose Release Button with the Ridges on the Vac Inlet. Push the Hose end straight into the Vac Inlet until the Hose Release Button fully engages the Inlet Ridges.



ASSEMBLY

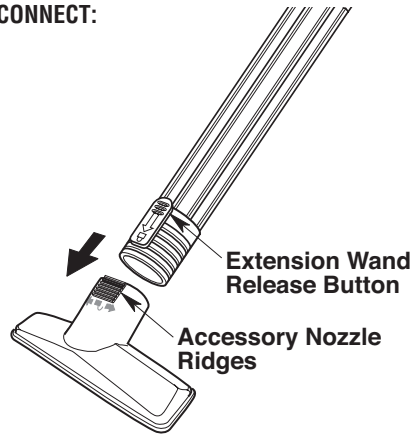
2. **To Remove Hose:** Rotate the end of the Professional Locking Hose in either direction to release the Hose Latch from the Inlet Ridges. Press the Hose Release Button and pull the Hose end straight out of the Vac Inlet.



Locking Accessories

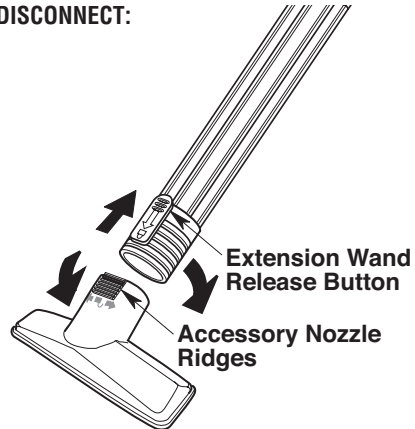
1. **To Connect Accessory:** Your RIDGID Wet/Dry Vac includes Locking Accessories to prevent the Accessories from falling off when in use. To connect the Accessories, align the Nozzle Ridges of the Accessory with the Release Button of your Extension Wand. Press to secure the Nozzle to the Extension Wand.

CONNECT:



2. **To Disconnect Accessory:** Twist the Nozzle and Extension Wand to disengage the Nozzle Ridges and pull. You may also press the Release Button and pull to disengage.

DISCONNECT:



OPERATION

⚠ WARNING:

To reduce the risk of fire, explosion, or damage to Vac:

- Do not leave Vac running while unattended - you may fail to notice important signs indicating abnormal operation such as loss of suction, debris/liquid exiting the exhaust, or abnormal motor noises. Immediately stop using Vac if you notice these signs.
- Do not leave Vac plugged in when not in use.
- Do not continue running when float has cut off suction.
- Sparks inside the motor can ignite airborne flammables. Do not operate Vac near flammable liquids or in areas with flammable gases, vapors, or explosive/airborne dust. Flammable liquids, gases, and vapors include: lighter fluid, solvent-type cleaners, oil-based paints, gasoline, alcohol, and aerosol sprays. Explosive dusts include: coal, magnesium, aluminum, grain, and gun powder.
- Do not vacuum up explosive dusts, flammable liquids, or hot ashes.
- Do not leave sawdust or rags with stain or polyurethane residue inside Vac. Empty drum after picking up these potentially self-heating materials.

⚠ WARNING: To reduce the risk of electric shock or injury:

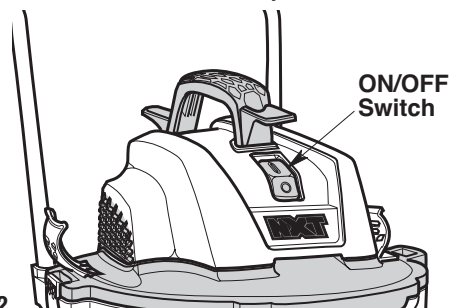
- Do not expose to rain or allow liquid to enter motor compartment. Store indoors.
- Do not handle plug, switch, or Vac with wet hands.
- Unplug Vac before servicing. If your Vac is not working as it should, has missing parts, has been dropped, damaged, left outdoors, or dropped into water, return it to an authorized service center or call customer service.
- When using an extension cord, use only outdoor-rated cords that are in good condition. Do not allow the connection to come into contact with liquid.

⚠ CAUTION: To reduce the risk of hearing damage, wear ear protectors when using the Vac/Blower for extended time or in a noisy area.

Polarized Plug

To reduce the risk of electric shock, this Vac has a Polarized Plug (one blade is wider than the other). This Plug will fit in a Polarized Outlet only one way. If the Plug does not fit fully in the Outlet, reverse the Plug. If it still does not fit, contact a qualified electrician to install the proper Outlet. Do not change the Plug in any way.

With Power Cord plugged in, turn the Vac "ON" by pressing in on the "I" (top) on the Power Switch. To turn "OFF" press the "O" (bottom) of the Power Switch. The symbols used on the Switch Actuator are international "On & Off" symbols.



OPERATION

Vacuating Dry Materials

1. The Filter must always be correctly installed to avoid leaks and possible Vac damage.
2. To maintain peak performance when vacuuming fine dust, clean the Drum and Filter regularly.

NOTE: Do not use a wet Filter when picking up dry material. The Filter will quickly clog and be difficult to clean.

3. If the Filter is wet, you must allow it to dry completely or replace it with a dry Filter before using the Vac to pick up dry material.

Vacuating Liquids

1. Vacuuming up small amounts of liquid (less than 2" (5cm) collected in Dust Drum) does not require Filter removal.
2. When larger amounts of liquid are to be picked up, remove the Filter, but not the Filter Cage or Float, to prevent the Filter from becoming saturated with liquid. If the Filter becomes saturated, you may see "mist" coming from the Blowing Port.
3. When the Drum is "full" the Float will rise and cut off airflow. The motor sound will rise in pitch and its speed will increase indicating the Drum is "full". Turn OFF the Vac and unplug the power cord before emptying the Drum.

▲WARNING:

Do not operate without filter cage and float, as they prevent liquid from entering the impeller and damaging the motor.

4. Following use of Vac for wet pick up, allow Filter to dry completely to avoid mildew and Filter damage.

IMPORTANT: To reduce the risk of damage to the Vac, do not run Motor with Float in raised position.

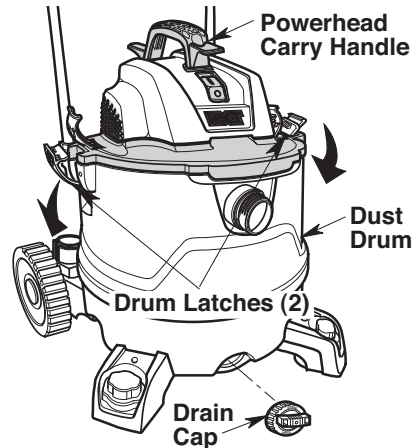
Emptying the Dust Drum

▲WARNING:

To reduce the risk of injury from accidental starting, unplug power cord before emptying the drum.

1. Unplug Power Cord from power source.
2. The Vac comes equipped with a Drain for easy emptying of liquids. Position the Vac near a suitable drain or receptacle and remove the Drain Cap.
3. Remove the Powerhead Assembly by pulling outward at the top of the two Latches.
4. Lift Powerhead Assembly from the Dust Drum and set aside.
5. Use the Dust Drum Handles located at the bottom of the Dust Drum to lift and empty into a proper waste disposal container.

NOTE: Do not carry the Vac by the Powerhead Carry Handle when the Vac is full.



▲WARNING:

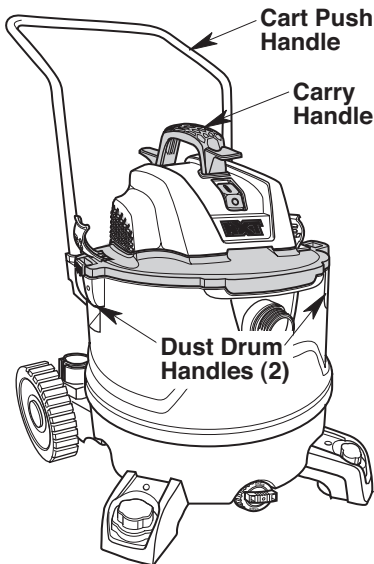
To reduce the risk of back injury or falls, do not lift a Vac heavy with liquid or debris. Scoop or drain enough contents out to make the Vac light enough to lift comfortably

OPERATION

Moving the Wet/Dry Vac

Should it become necessary to pick the Vac up to move it, the Handles on each side of the Dust Drum or the Powerhead Carry Handle should be used to lift.

To maneuver the Vac, the Cart Push Handle in the rear of the Vac should be used.



Blowing Feature

Your Vac features a Blowing Port. It can blow sawdust and other debris. Follow the steps below to use your Vac as a Blower.

1. Locate the Blowing Port, at the rear of the Powerhead of your Wet/Dry Vac.
2. Align the Hose Release Button of the Professional Locking Hose End with the Ridges on the Blower Port. Push the Hose End straight into the Blower Port until the Hose Release Button fully engages the Blower Port Ridges.
3. (Optional) Attach the Extension Wand to swivel end of the Hose. See Locking Accessories section of this manual for instructions on connecting the Locking Accessories.
4. Turn the Vac on and you are ready to use your Vac as a Blower.

▲ WARNING:

Always wear safety eyewear complying with ANSI Z87.1 (or in Canada, CSA Z94.3) before using as a blower.

▲ WARNING:

To reduce the risk of injury to bystanders, keep them clear of blowing debris.

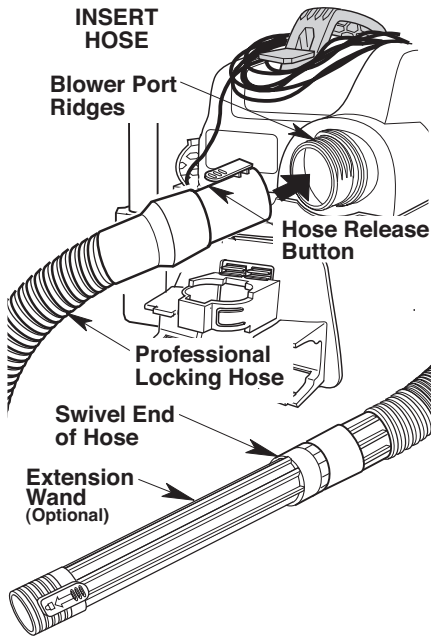
▲ CAUTION:

Wear a dust mask if blowing creates dust which might be inhaled.

▲ CAUTION:

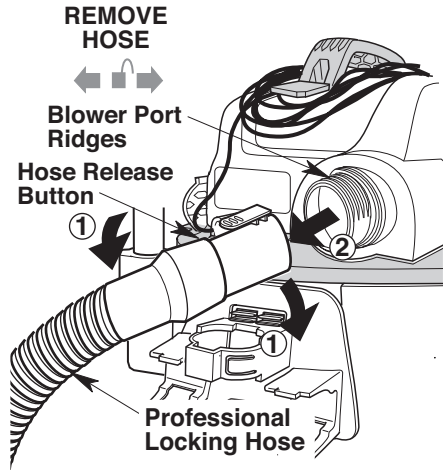
To reduce the risk of hearing damage, wear ear protectors when using the Vac/Blower for extended time or in a noisy area.

OPERATION



Remove Hose:

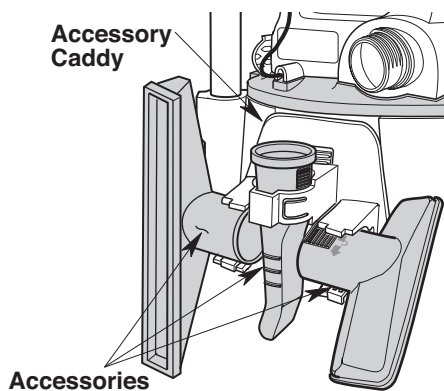
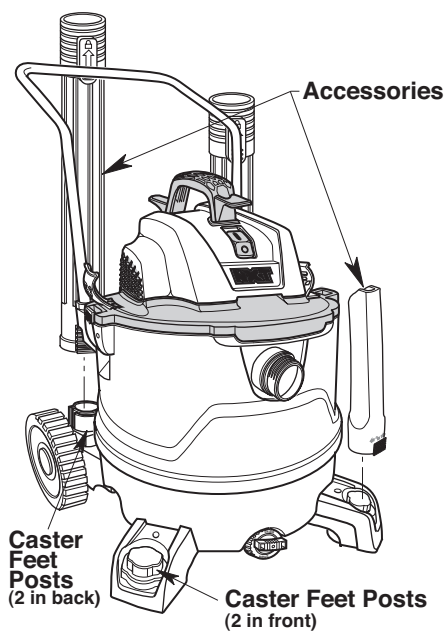
1. Rotate Hose End in either direction to disengage Blower Port Ridges.
2. Press the Hose Release Button and pull the Hose End straight out of the Blower Port.



ACCESSORY & HOSE STORAGE

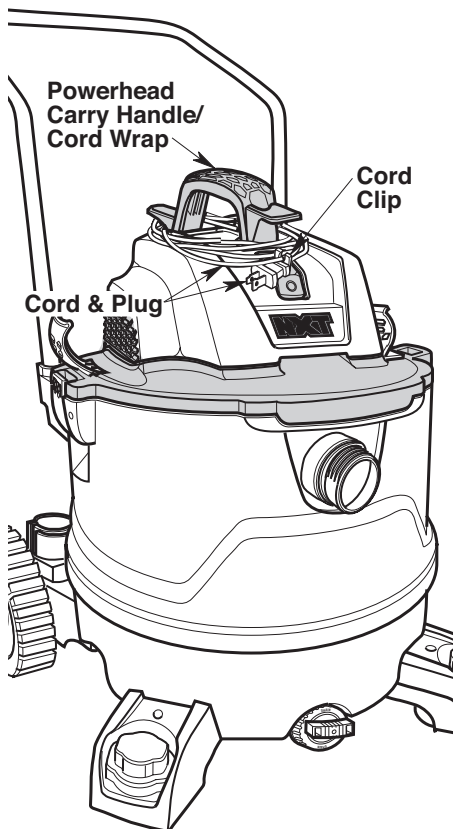
Accessory Storage

1. The Extension Wands and other Accessories can be stored by placing them over the Posts on the Two Caster Feet.
2. To remove, twist and pull up on the Extension Wand or Accessory.
3. Snap additional Accessories onto the Accessory Caddy.



Cord Storage

To store the Cord, wrap it around the Powerhead Carry Handle / Cord Wrap beneath the two Tabs. Secure the Cord using the Cord Clip on the Plug.



ACCESSORY & HOSE STORAGE

Hose Storage

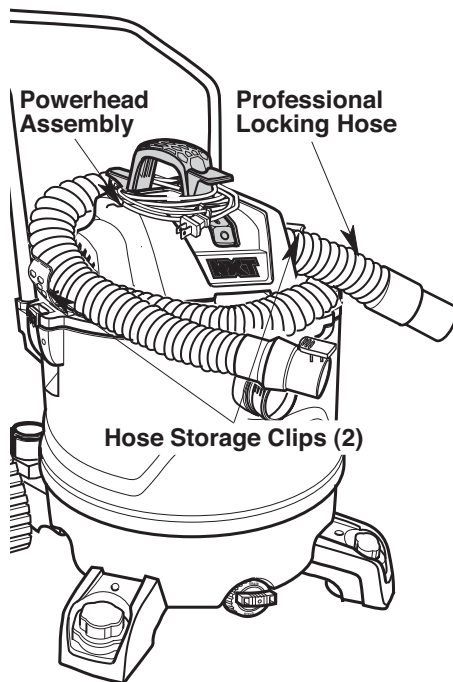
The Professional Locking Hose may be stored around the Powerhead Assembly by tucking it between the Motor Housing and Hose Storage Clips.

▲ CAUTION:

Do not operate vacuum while the hose is still wrapped around the powerhead assembly in the storage position.

▲ WARNING:

Do not put any object into ventilation openings. Do not vacuum with any ventilation openings blocked; keep free of dust, lint, hair or anything that may reduce air flow.



MAINTENANCE

Filter

⚠ WARNING:

To reduce the risk of injury from accidental starting, unplug power cord before changing or cleaning filter.

NOTE: The Filter is made of high quality paper designed to stop small particles of dust. The Filter can be used for dry pick up or small amounts of liquid. Handle the Filter carefully when removing or installing it. Creases in the Filter Pleats may occur from installation but will not affect the performance of the Filter.

Removal & Installation of the Qwik Lock™ Filter

Filter Removal:

1. Place fingers under the two Filter Tabs.
2. While pressing down with one thumb on the Qwik Lock™ Stud that protrudes through the center of the Filter Plate, lift up on the Tabs until Filter releases.
3. Slide Filter off Filter Cage.

IMPORTANT: To avoid blower wheel and motor damage always reinstall filter before using Vac for dry pickup.

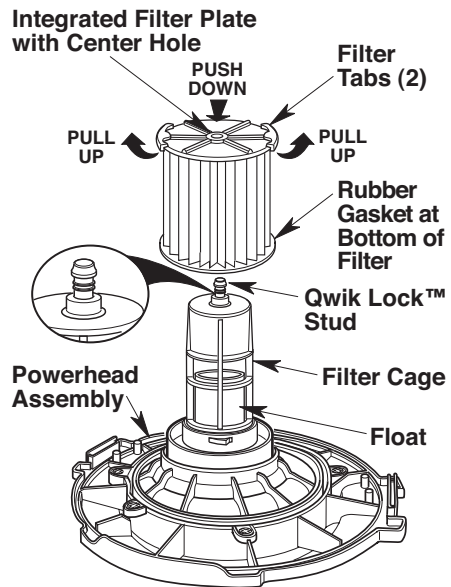
Filter Installation:

1. Slide the Qwik Lock™ Filter over the Filter Cage while aligning the Qwik Lock™ Stud on the Filter Cage with the center hole in the Qwik Lock™ Integrated Filter Plate.
2. Make sure the Rubber Gasket at the bottom of the Qwik Lock™ Filter seats around the base of the Filter Cage.
3. Firmly press the Qwik Lock™ Integrated Filter Plate down around the Qwik Lock™ Stud until it snaps into place.

NOTE: Failure to properly seat the bottom Gasket and Integrated Filter Plate to the Filter Cage could result in debris bypassing the Filter.

⚠ WARNING:

Do not operate without filter cage and float, as they prevent liquid from entering the impeller and damaging the motor.



Your Filter should be cleaned often to maintain peak Vac performance.

MAINTENANCE

Cleaning A Dry Filter

1. Some removal of dry debris can be accomplished without removing the Filter from the Vac. Slap your hand on top of the Lid while the Vac is turned off.
2. For best cleaning results due to accumulated dust, clean the Filter in an open area. Cleaning SHOULD be done outdoors and not in the living quarters.
3. After Filter removal from Vac, remove the dry debris by gently tapping Filter against the inside wall of your Dust Drum. The debris will loosen and fall.
4. For thorough cleaning of Dry Filter with fine dust (no debris), run water through it as described under "Cleaning A Wet Filter".

Cleaning A Wet Filter

After Filter is removed, run water through the Filter from a hose or spigot. Take care that water pressure from the hose is not strong enough to damage Filter.

IMPORTANT: After cleaning, check the Filter for tears or small holes. Do not use a Filter with holes or tears in it. Even a small hole can allow dust to come out of your Vac. Replace it immediately.

Allow the Filter to dry completely before reinstalling and storing the Vac or picking up dry debris.

WARNING:

To assure product **SAFETY** and **RELIABILITY**, any other maintenance, repairs and adjustments should be performed by Authorized Service Centers, always using **RIDGID** replacement parts.

REPAIR PARTS

14 U.S. Gallon (53 Liter) Cart Wet/Dry Vac Model Number RT14000


Electrical Ratings:
120 V 10.5 A 60 Hz

RIDGID parts are available on-line at store.ridgid.com/provacs

Always order by Part Number - Not by Key Number

▲ WARNING:

SERVICING OF DOUBLE-INSULATED WET/DRY VAC

In a double-insulated Wet/Dry Vac, two systems of insulation are provided instead of grounding. No grounding means is provided on a double-insulated appliance, nor should a means for grounding be added. Servicing a double-insulated Wet/Dry Vac requires extreme care and knowledge of the system, and should be done only by qualified service personnel. Replacement parts for a double-insulated Wet/Dry Vac must be identical to the parts they replace. Your double-insulated Wet/Dry Vac is marked with the words "DOUBLE INSULATED" and the symbol  (square within a square) may also be marked on the appliance.

To reduce the risk of injury from electrical shock, unplug power cord before servicing the electrical parts of the Wet/Dry Vac.

▲ WARNING:

To reduce the risk of injury from electrical shock, unplug power cord before servicing the electrical parts of the Wet/Dry Vac.

▲ WARNING:

All disassembly and repairs should be performed by qualified personnel.

**This product has a 90 day Satisfaction Guarantee Policy
as well as a Limited Lifetime Warranty.**

**For Warranty and Policy details go to
RIDGID.com/VacWarranty or call 1-800-4-RIDGID.**



EMERSON

www.RIDGID.com

© 2019 Emerson

Part No. SP7080

Form No. SP7080-1

Printed in Mexico 04/19

INSTRUCCIONES DE SEGURIDAD IMPORTANTES

La seguridad es una combinación de sentido común, permanecer alerta y saber cómo funciona la aspiradora para mojado/seco ("la aspiradora").

Palabras de señal de seguridad

⚠ PELIGRO: indica una situación peligrosa que, si no se evita, causará la muerte o lesiones graves.

⚠ ADVERTENCIA: indica una situación peligrosa que, si no se evita, podría causar la muerte o lesiones graves.

⚠ PRECAUCIÓN: indica una situación peligrosa que, si no se evita, podría causar lesiones leves o moderadas o daños materiales..

Cuando utilice la aspiradora, siga siempre las precauciones básicas de seguridad, incluyendo las siguientes:

⚠ ADVERTENCIA

– Para reducir el riesgo de incendio, choques eléctricos o lesiones:

- Lea y entienda este manual del usuario y todas las etiquetas que están colocadas en la aspiradora para mojado/seco antes de utilizarla.
- Utilice la aspiradora únicamente de la manera que se describe en este manual.
- No deje la aspiradora en marcha mientras esté desatendida. Usted podría no notar señales importantes que indiquen un funcionamiento anormal, tal como pérdida de succión, residuos o líquido que salen por el escape o ruidos anormales del motor. Deje de usar la aspiradora inmediatamente si observa estas señales.
- No abandone la aspiradora cuando esté enchufada. Desenchúfela del tomacorriente cuando no la esté utilizando y antes de realizar servicio de revisión.
- Las chispas que se producen en el interior del motor pueden incendiar los vapores inflamables o el polvo. Para reducir el riesgo de incendio o explosión, no use la aspiradora cerca de líquidos o gases inflamables o combustibles, o polvos explosivos como gasolina u otros combustibles, líquido encendedor, limpiadores, pinturas a base de aceite, gas natural, polvo de carbón, polvo de magnesio, polvo de aluminio, polvo de granos de cereal o pólvora.
- No recoja con la aspiradora nada que esté ardiendo o humeando, como cigarrillos, fósforos o cenizas calientes.
- Para evitar el riesgo de autoignición de los residuos contenidos en el tambor, vacíe el tambor después de cada uso. Los materiales combustibles tales como los trapos y el aserrín, especialmente si contienen tinte o uretano, pueden ser causas de dicho sobrecalentamiento.
- No recoja con la aspiradora polvo de panel de yeso, ceniza fría de chimenea u otros polvos finos con un filtro estándar. Estos materiales pueden pasar por el filtro y pueden ser expulsados de vuelta al aire. Utilice un filtro para polvo fino en lugar de un filtro estándar.
- Para reducir el riesgo de inhalar vapores tóxicos, no recoja con la aspiradora materiales tóxicos o peligrosos ni la use cerca de dichos materiales.
- Para reducir el riesgo de descargas eléctricas, no exponga la aspiradora a la lluvia ni deje que entren líquidos en el compartimiento del motor. Guarde la aspiradora en un lugar interior.
- Esta aspiradora mojado/seco no se destina para utilizarse por personas (incluyendo niños) cuyas capacidades físicas, sensoriales o mentales sean diferentes o estén reducidas, o carezcan de experiencia o conocimiento, a menos que dichas personas reciban una supervisión o capacitación para el funcionamiento del aparato por una persona responsable de su seguridad.
- No permita que la aspiradora se utilice como un juguete. Se necesita prestar máxima atención cuando sea utilizada por niños o cerca de éstos.
- No use la aspiradora con un filtro desgarrado o sin tener el filtro instalado, excepto cuando recoja con ella líquidos de la manera que se describe en este manual. Los residuos secos absorbidos por el impulsor podrían dañar el motor o ser expulsados de vuelta al aire.
- Apague la aspiradora antes de desenchufarla.
- Para reducir el riesgo de lesiones debidas a un arranque accidental, desenchufe el cordón de energía antes de cambiar o limpiar el filtro.
- No desenchufe la aspiradora tirando del cordón. Para desenchufarla, agarre el enchufe y no el cordón.
- No use la aspiradora con el cordón dañado, el enchufe dañado u otras piezas dañadas. Si la aspiradora no funciona como debe, le faltan piezas, se ha caído, ha sido dañada, se ha dejado a la intemperie o se ha caído al agua, llame a servicio al cliente.
- No tire de la aspiradora usando el cordón ni la lleve por el cordón, ni use el cordón como asa, ni cierre una puerta sobre el cordón, ni tire del cordón alrededor de bordes o esquinas afilados. No pase la aspiradora en marcha sobre el cordón. Mantenga el cordón alejado de las superficies calientes.

INSTRUCCIONES DE SEGURIDAD IMPORTANTES

- No maneje el enchufe, el interruptor o la aspiradora con las manos mojadas.
- Utilice únicamente cordones de extensión que tengan capacidad nominal para uso a la intemperie. Los cordones de extensión que estén en malas condiciones o tengan un tamaño de alambre demasiado pequeño pueden crear peligros de incendio y descargas eléctricas. Para reducir el riesgo de estos peligros, asegúrese de que el cordón esté en buenas condiciones y que el líquido no entre en contacto con la conexión. No utilice un cordón de extensión que tenga conductores con un diámetro menor al calibre 1,3 mm² (16 AWG).
- Esta aspiradora tiene aislamiento doble, lo cual elimina la necesidad de un sistema independiente de conexión a tierra. Utilice únicamente piezas de repuesto idénticas. Lea las instrucciones de servicio de revisión de las aspiradoras para mojado/seco con aislamiento doble.
- No ponga ningún objeto en las aberturas de ventilación. No recoja nada con la aspiradora cuando cualquiera de las aberturas de ventilación esté bloqueada; mantenga dichas aberturas libres de polvo, pelusa, pelo o cualquier cosa que pueda reducir el flujo de aire.
- Mantenga el pelo, la ropa holgada, los dedos y todas las partes del cuerpo alejados de las aberturas y de las piezas móviles.
- Para reducir el riesgo de caídas, tenga cuidado adicional al limpiar en escaleras.
- Para reducir el riesgo de lesiones de espalda o caídas, no levante una aspiradora que pese mucho debido a que contiene líquido o residuos. Saque parte del contenido de la aspiradora o drénela parcialmente.
- Para reducir el riesgo de lesiones corporales o daños a la aspiradora, utilice únicamente accesorios recomendados por RIDGID.
- Cuando utilice la aspiradora como soplador:
 - Dirija la descarga de aire solamente hacia el área de trabajo.
 - No dirija el aire hacia las personas que estén presentes.
 - Mantenga alejados a los niños durante la operación de soplado.
 - No utilice el soplador para trabajos que no sean soplar suciedad y residuos.
 - No use la aspiradora como rociador.
- Para reducir el riesgo de lesiones en los ojos, use protección ocular de seguridad. La utilización de cualquier aspiradora utilitaria o soplador utilitario puede hacer que se soplen objetos extraños hacia los ojos, lo cual puede causar daños graves en los ojos.
- Para reducir el riesgo de resultar golpeado o jalado por una aspiradora que esté rodando, bloquee las ruedecillas cuando utilice la aspiradora sobre una superficie desigual o inclinada.

PRECAUCIÓN:

- Para reducir el riesgo de daños a la audición, use protectores de oídos cuando utilice la aspiradora durante muchas horas seguidas o cuando la emplee en un área ruidosa.
- Para operaciones que generan polvo, use una máscara antipolvo.
- Las descargas de estática son comunes cuando la humedad relativa del aire es baja. Si recoge residuos finos con la aspiradora, se puede depositar carga estática en la manguera o en la aspiradora. El mejor remedio para reducir la frecuencia de las descargas de estática en su casa o cuando use esta aspiradora es añadir humedad al aire con un humidificador.

Siga las siguientes advertencias que aparecen en la caja del motor de la aspiradora:



ASLAMIENTO DOBLE. NO SE REQUIERE CONEXION A TIERRA.

CUANDO HAGA SERVICIO DE REVISIÓN DE LA ASPIRADORA, UTILICE ÚNICAMENTE PIEZAS DE REPUESTO IDÉNTICAS.

ADVERTENCIA:

- Para su propia seguridad, lea y entienda el manual del operador.
- No tenga en marcha la aspiradora desatendida.
- No recoja cenizas calientes, brasas, materiales inflamables, combustibles/autoincendiables o tóxicos, ni otros materiales peligrosos.
- No use la aspiradora alrededor de líquidos o vapores explosivos.

ADVERTENCIA:

Para reducir el riesgo de sacudidas eléctricas, no exponga la aspiradora a la lluvia y almacénela en interiores.

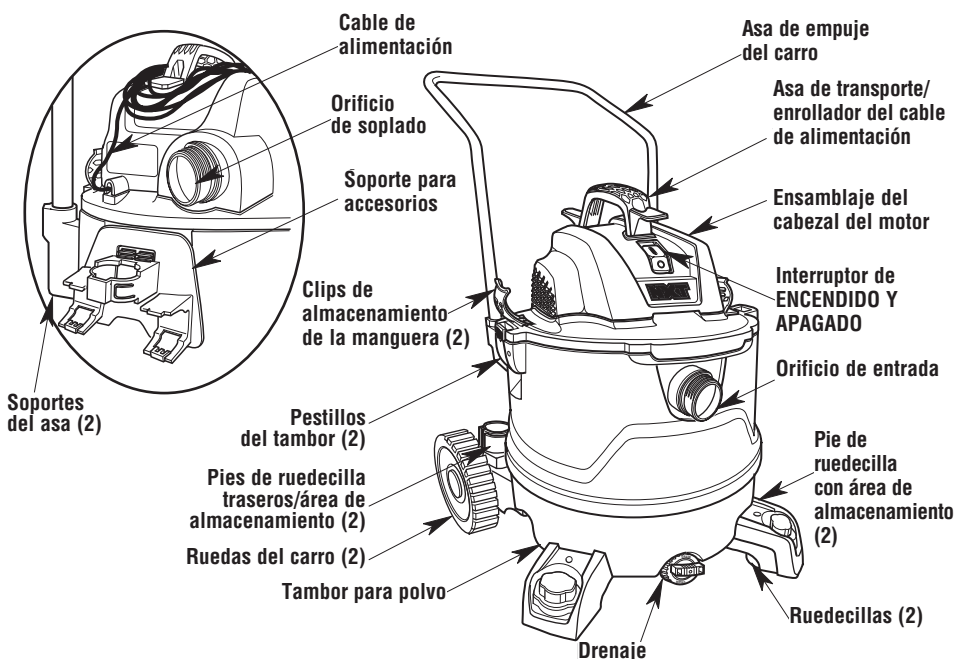
GUARDE ESTE MANUAL

INTRODUCCIÓN

Esta aspiradora para mojado/seco con carro está diseñada solamente para uso doméstico. Se puede utilizar para recoger materiales mojados o secos y se puede usar como soplador.

Lea este manual del usuario para familiarizarse con las características del producto y para entender la utilización específica de su nueva aspiradora.

Familiarización con la aspiradora para seco/mojado



Familiarícese con los accesorios que se incluyen con la aspiradora. Cada accesorio puede usarse de diversas maneras para aspirar y soplar residuos. A continuación hay una lista de los accesorios y de sus usos.

Manguera con fijación profesional: Proporciona transferencia de capacidad de aspiración o soplado al lugar de trabajo. Proporciona los medios para acoplar los tubos extensores y las boquillas. Manguera fijable de 48 mm (1-7/8 pulgadas) x 2,4 m (8 pies); Compatible con accesorios de 2-1/2 pulgadas.

Tubos extensores: Estos tubos pueden conectarse entre sí y proporcionan longitud adicional para tener más alcance.

Boquilla rinconera: Utilícela para recoger residuos en lugares difíciles de alcanzar.

Boquilla para mojado: Se utiliza para recoger materiales mojados en superficies lisas con el fin de recoger líquidos y secar la superficie en una sola pasada.

Boquilla de uso general: Boquilla que se usa en la mayoría de las aplicaciones de aspiración.

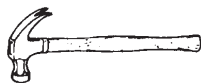
Boquilla para auto: Boquilla para recoger materiales secos en interiores de auto y en la mayoría de limpiezas de tapicería.

INTRODUCCIÓN

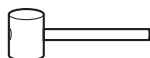
Herramientas necesarias



Destornillador Phillips



Martillo



Mazo

Se recomienda:



Bocallave de 5/8 de pulg. (16 mm)

Desempaquetado

Este producto requiere ensamblaje.

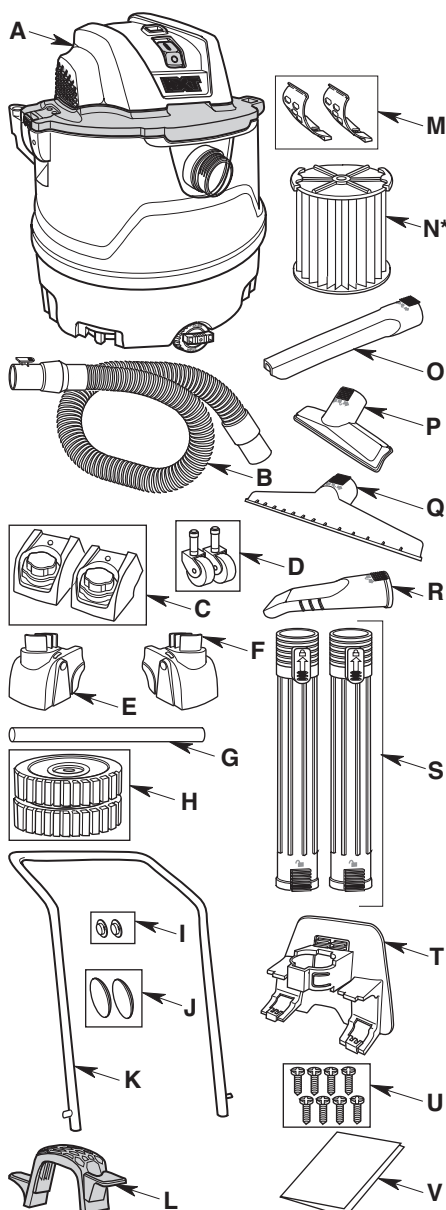
Compruebe todas las piezas de la caja de cartón frente a la lista de piezas del contenido de la caja de cartón.

Si alguna pieza está dañada o falta, contáctenos llamando al 1-800-4-RIDGID (EE.UU. y Canadá), o por correo electrónico en info@ridgidvac.com.

Lista del contenido de la caja de cartón

Clave	Descripción	Cant.
A	Aspiradora para mojado/seco	1
B	Manguera con fijación profesional	1
C	2
D	Ruedecillas	2
E	Pie del eje trasero con área de almacenamiento (derecho)	1
F	Pie del eje trasero con área de almacenamiento (izquierdo).....	1
G	Eje.....	1
H	Ruedas de 8 pulgadas (20 cm).....	2
I	Tuercas de tapa de 1/2 pulg. (13 mm).....	2
J	Tapas de rueda.....	2
K	Asa de empuje del carro	1
L	Asa de transporte/enrollador del cable de alimentación.....	1
M	Clips de almacenamiento de la manguera...2	
N*	Filtro Qwik Lock™	1
O	Boquilla rinconera	1
P	Boquilla de uso general.....	1
Q	Boquilla para mojado	1
R	Boquilla para auto	1
S	Tubos extensores.....	2
T	Soporte para accesorios	1
U	Tornillos de cabeza troncocónica #10 x 3/4 de pulg. (19 mm)	8
V	Manual del usuario.....	1

* El filtro viene preensamblado.

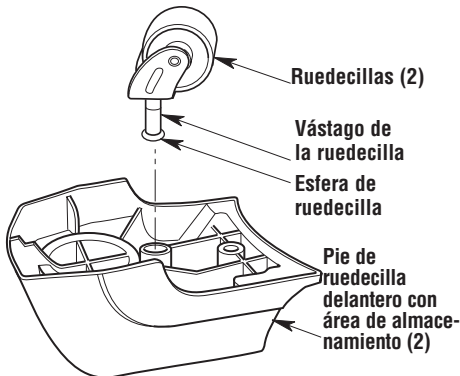


ENSAMBLAJE

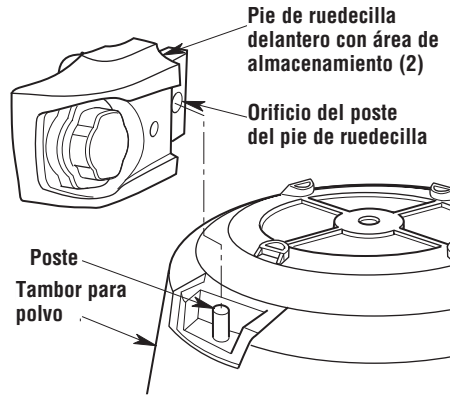
Ensamblaje de las ruedecillas/pies de ruedecilla delanteros

NOTA: Retire el ensamblaje del cabezal del motor del tambor para polvo antes de ensamblar los pies de ruedecilla y las ruedecillas (consulte la sección Instalación del ensamblaje del cabezal del motor en el tambor para polvo y remoción del mismo, si es necesario).

1. Ponga el tambor para polvo en posición invertida sobre el piso.
2. Coloque un pie de ruedecilla en el piso, de la manera que se muestra en la ilustración. Inserte el vástago de una ruedecilla en el receptáculo del pie de ruedecilla.
3. Empuje sobre la ruedecilla hasta que el extremo de la ruedecilla correspondiente a la esfera se acople a presión completamente en el receptáculo y la ruedecilla gire libremente. Repita el procedimiento para la otra ruedecilla y el otro pie de ruedecilla.

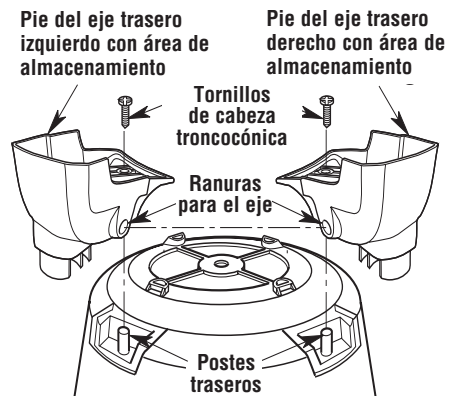


4. Coloque el pie de ruedecilla con ruedecilla sobre el poste ubicado en la parte inferior del tambor para polvo y presiónelo firmemente en la posición correcta, de la manera que se muestra en la ilustración.
5. Repita el procedimiento para el otro ensamblaje de ruedecilla/pie de ruedecilla.



Ensamblaje de los pies traseros, el eje trasero y las ruedas traseras

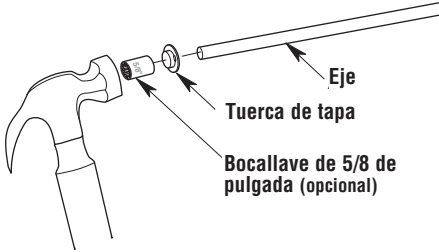
1. Mientras está orientado hacia la parte trasera del tambor para polvo, coloque el pie del eje trasero derecho con área de almacenamiento sobre el poste izquierdo y presiónelo firmemente en la posición correcta.
2. Repita el procedimiento para el pie del eje trasero izquierdo con área de almacenamiento sobre el poste derecho. Las ranuras para el eje ubicadas en los pies del eje trasero con área de almacenamiento deberán estar alineadas.
3. Utilice un tornillo de cabeza troncocónica núm. 10 x 3/4 de pulgada (19 mm) (suministrado) para sujetar firmemente al tambor cada pie del eje trasero con área de almacenamiento.



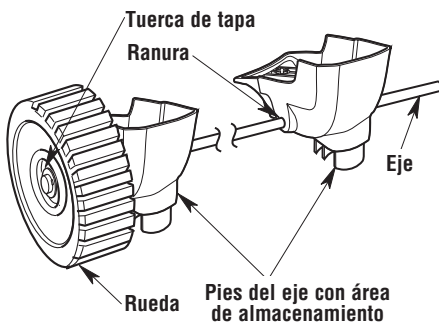
ENSAMBLAJE

- Localice el eje y una tuerca de tapa. Coloque la tuerca de tapa en un extremo del eje y golpéela suavemente con un martillo hasta que esté completamente asentada.

***Consejo:** Utilice una bocallave de 5/8 de pulgada para sujetar firmemente la tuerca de tapa mientras golpea el eje con un martillo.

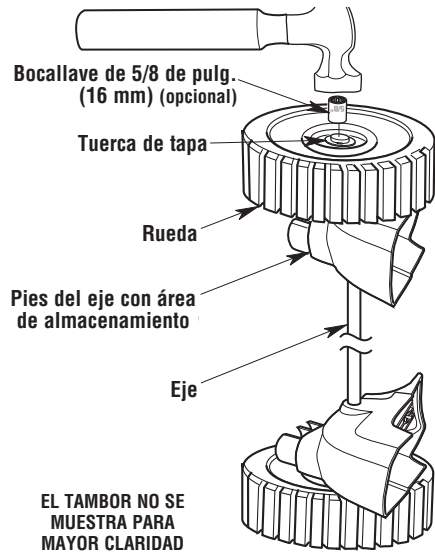


- Deslice una rueda por el eje, asegurándose de que el lado liso de la rueda esté orientado hacia la tuerca de tapa.
- Deslice el extremo abierto del eje a través de la ranura para el eje ubicada en uno de los pies del eje trasero con área de almacenamiento y continúe hasta que el extremo abierto del eje sobresalga a través del otro pie del eje trasero con ranura de almacenamiento.

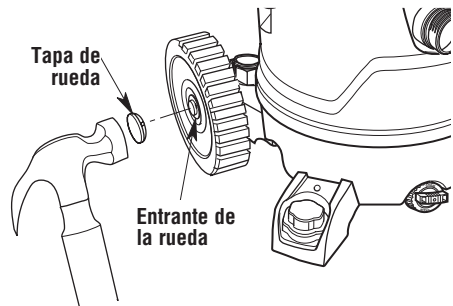


EL TAMBOR NO SE MUESTRA PARA MAYOR CLARIDAD

- Reposicione el tambor para polvo de manera que la rueda ya ensamblada esté contra el piso.
- Instale la segunda rueda en el eje, asegurándose de que el lado liso de la rueda esté orientado hacia arriba.
- Utilizando un martillo, golpee suavemente la tuerca de tapa restante sobre el extremo abierto del eje.



- Ponga en posición vertical el tambor para polvo con el ensamblaje de los pies del eje trasero con área de almacenamiento y las ruedas.
- Utilizando un mazo o un martillo, golpee suavemente las tapas de rueda hacia el interior de los entrantes de las ruedas.
- Continúe yendo a la sección Ensamblaje de la aspiradora para seco/mojado.

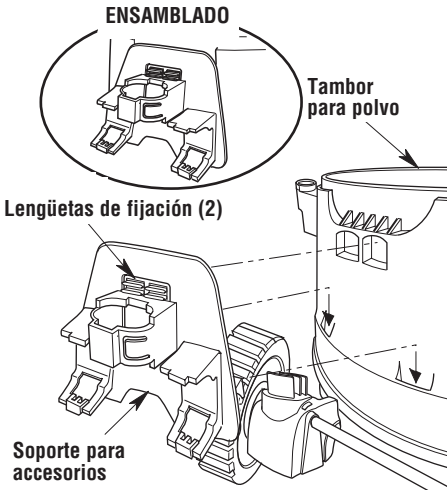


ENSAMBLAJE

Ensamblaje de la aspiradora para mojado/seco:

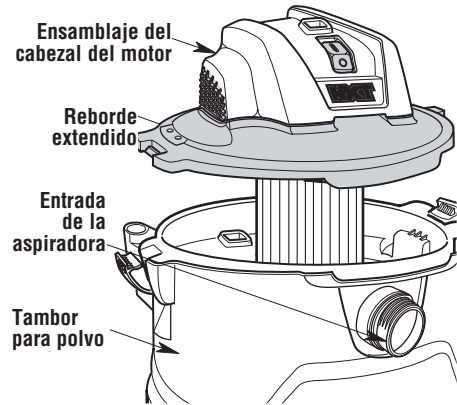
Instalación del soporte para accesorios

1. Posicione el soporte para accesorios en la parte trasera del tambor para polvo y alinee las lengüetas de fijación.
2. Deslice las lengüetas del soporte para accesorios hacia el interior del tambor para polvo y empuje las lengüetas de fijación hacia dentro hasta que oiga un clic. Jale el soporte para accesorios para confirmar que ha quedado fijo en la posición correcta.

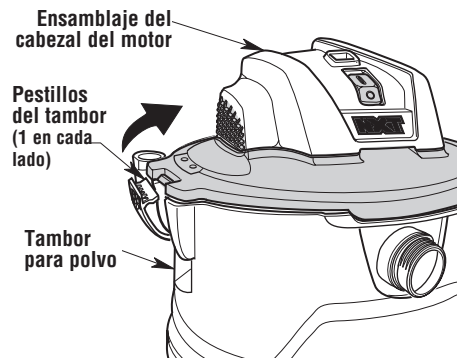


Instalación del ensamblaje del cabezal del motor en el tambor para polvo

1. Coloque el ensamblaje del cabezal del motor sobre el tambor para polvo con el reborde extendido de la tapa alineado con la entrada del tambor para polvo. Asegúrese de que el ensamblaje del cabezal del motor esté completamente asentado sobre el tambor para polvo.



2. Presione hacia dentro sobre los dos pestillos ubicados a ambos lados del tambor para polvo hasta que se acoplen a presión en la posición correcta, sujetando firmemente el ensamblaje del cabezal del motor al tambor para polvo.
3. Para retirar el ensamblaje del cabezal del motor, jale hacia fuera los dos pestillos y levante el ensamblaje del cabezal del motor para separarlo del tambor para polvo. No fuerce los pestillos de manera que roten más que ligeramente hacia fuera de la pestaña del tambor.



ENSAMBLAJE

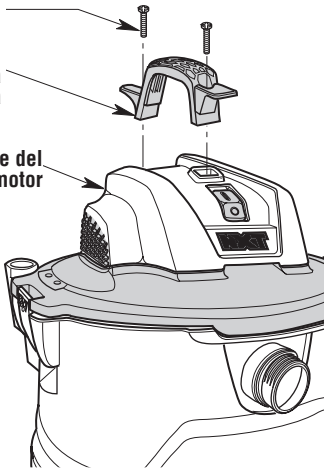
Ensamblaje del asa de transporte/ enrollador del cable de alimentación

1. Localice el asa de transporte y los dos (2) tornillos de cabeza troncocónica #10 x 3/4 de pulg. (19 mm) en la bolsa de piezas sueltas.
2. Posicione el asa de transporte/enrollador del cable de alimentación sobre el ensamblaje del cabezal del motor, con la pestaña extendida del asa de transporte/enrollador del cable de alimentación hacia la parte trasera del cabezal del motor, de la manera que se muestra en la ilustración.
3. Inserte un tornillo de cabeza troncocónica #10 x 3/4 de pulg. (19 mm) a través del agujero ubicado en cada extremo del asa de transporte/enrollador del cable de alimentación y en el ensamblaje del cabezal del motor. Apriete firmemente el tornillo.

Tornillos de cabeza troncocónica #10 x 3/4 de pulg. (19 mm) (2)

Pestaña extendida

Ensamblaje del cabezal del motor



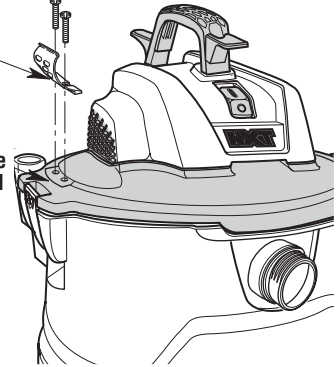
Ensamblaje del clip de almacenamiento de la manguera

1. Localice los dos (2) clips para manguera y cuatro (4) tornillos de cabeza troncocónica #10 x 3/4 de pulgada (19 mm) en cada agujero de montaje y apriete firmemente.
2. Coloque un clip en el rebajo junto a uno de los pestillos. La curva del clip deberá estar orientada hacia fuera.
3. Inserte un tornillo de cabeza troncocónica #10 x 3/4 de pulgada (19 mm) en cada agujero de montaje y apriete firmemente.
4. Repita el procedimiento en el otro lado.

Tornillos de cabeza troncocónica #10 x 3/4 de pulg. (19 mm) (2)

Clips para manguera (1 en cada lado)

Ensamblaje del cabezal del motor

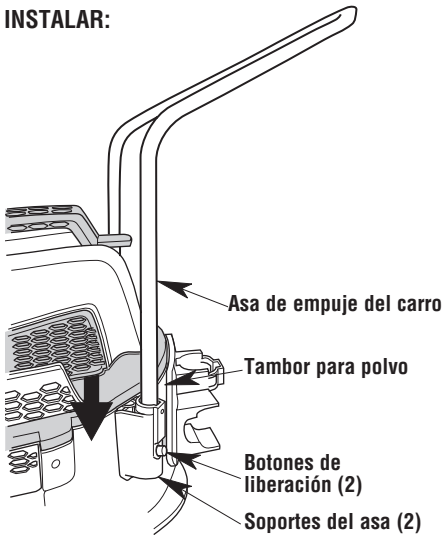


ENSAMBLAJE

Instalación/remoción del asa de empuje del carro

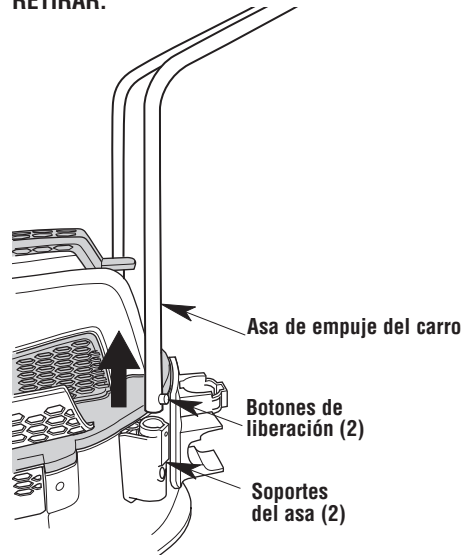
1. **Para instalar el asa:** Deslice el asa de empuje del carro hacia el interior de los dos soportes del asa que se encuentran en la parte trasera del tambor para polvo.
2. Presione uniformemente hacia abajo sobre el asa de empuje del carro hasta que ambos lados estén completamente asentados en los soportes del asa. Los botones de liberación se deberán acoplar audiblemente en los agujeros de fijación.

INSTALAR:



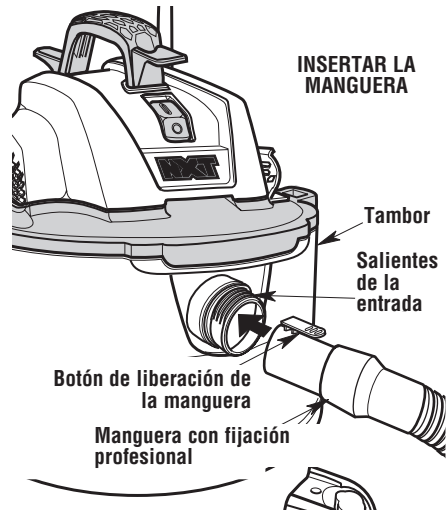
3. **Para retirar el asa:** Agarre ambos lados del asa justo sobre los soportes del asa. Presione firmemente hacia dentro sobre los dos botones de liberación utilizando los dedos índices, a la vez que jala hacia arriba el asa de empuje del carro. Puede que resulte útil poner un pie sobre uno de los pies traseros para sujetar firmemente la aspiradora.

RETIRAR:



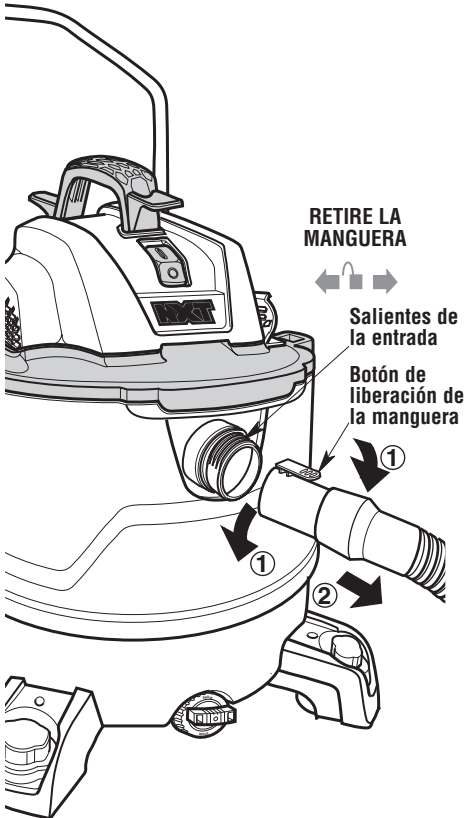
Inserción de la manguera con fijación profesional

1. **Para insertar la manguera:** Localice el extremo de la manguera con fijación profesional y alinéelo con la entrada del tambor. Posicione el botón de liberación de la manguera con los salientes de la entrada de la aspiradora. Empuje el extremo de la manguera directamente hacia el interior de la entrada de la aspiradora hasta que el botón de liberación de la manguera acople completamente los salientes de la entrada.



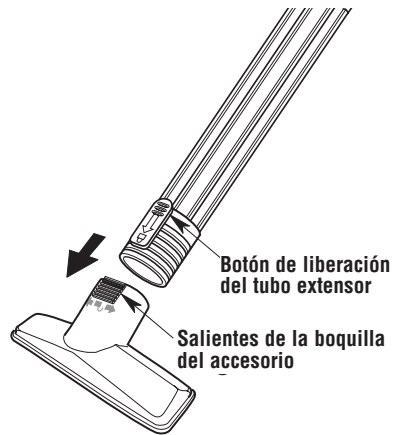
ENSAMBLAJE

2. **Para retirar la manguera:** rote el extremo de la manguera con fijación profesional en cualquiera de las dos direcciones para liberar el pestillo de la manguera de los salientes de la entrada. Presione el botón de liberación de la manguera y jale el extremo de la manguera directamente hacia fuera de la entrada de la aspiradora.



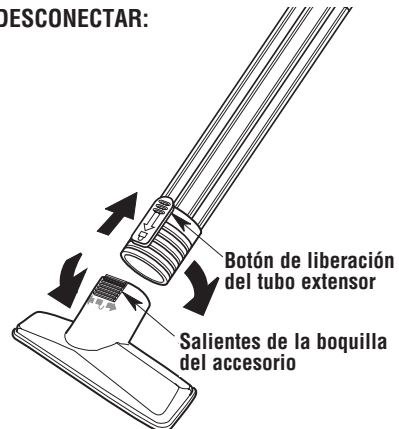
Accesorios fijables

1. **Para conectar el accesorio:** Su aspiradora para seco/mojado RIDGID incluye accesorios fijables para impedir que los accesorios se caigan cuando estén en uso. Para conectar los accesorios, alinee los salientes de la boquilla del accesorio con el botón de liberación del tubo extensor. Presione para sujetar firmemente la boquilla al tubo extensor.



2. **Para desconectar el accesorio:** Gire la boquilla y el tubo extensor para desacoplar los salientes de la boquilla y jale. También puede presionar el botón de liberación y jalar para desacoplar.

DESCONECTAR:



FUNCIONAMIENTO

⚠️ ADVERTENCIA: Para reducir el riesgo de incendio, explosión o daños a la aspiradora:

- No deje la aspiradora en marcha mientras esté desatendida. Usted podría no notar señales importantes que indiquen un funcionamiento anormal, tal como pérdida de succión, residuos o líquido que salen por el escape o ruidos anormales del motor. Deje de usar la aspiradora inmediatamente si observa estas señales.
- No deje la aspiradora enchufada cuando no se esté utilizando.
- No continúe usando la aspiradora cuando el flotador haya cortado la succión.
- Las chispas generadas dentro del motor pueden incendiar los materiales inflamables suspendidos en el aire. No utilice la aspiradora cerca de líquidos inflamables ni en áreas con gases o vapores inflamables o polvo explosivo/suspendido en el aire. Los líquidos inflamables, gases inflamables y los vapores inflamables incluyen: líquido encendedor, limpiadores tipo solvente, pinturas a base de aceite, gasolina, alcohol y rociadores tipo aerosol. Los polvos explosivos incluyen: carbón, magnesio, aluminio, grano de cereal y pólvora.
- No recoja con la aspiradora polvos explosivos, líquidos inflamables ni cenizas calientes.
- No deje aserrín ni trapos con residuos de tinte o de poliuretano dentro de la aspiradora. Vacíe el tambor después de recoger estos materiales potencialmente autocalentables.

⚠️ ADVERTENCIA: Para reducir el riesgo de descargas eléctricas o lesiones:

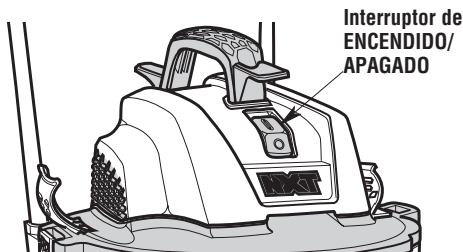
- No exponga la aspiradora a la lluvia ni deje que entre líquido en el compartimiento del motor. Almacene la aspiradora en un lugar interior.
- No maneje el enchufe, el interruptor o la aspiradora con las manos mojadas.
- Desenchufe la aspiradora antes de hacerle servicio de ajustes y reparaciones. Si la aspiradora no está funcionando como debería, le faltan piezas, se ha caído, ha sido dañada, se ha dejado a la intemperie o se ha caído al agua, devuélvala a un centro de servicio autorizado o llame a servicio al cliente.
- Cuando utilice un cordón de extensión, utilice únicamente cordones con capacidad nominal para uso a la intemperie que estén en buenas condiciones. No deje que la conexión entre en contacto con líquido.

⚠️ PRECAUCIÓN: Para reducir el riesgo de daños a la audición, use protectores de oídos cuando utilice la aspiradora/soplador durante un tiempo prolongado o en un área ruidosa.

Enchufe polarizado

Para reducir el riesgo de sacudidas eléctricas, este aparato electrodoméstico tiene un enchufe polarizado (una hoja es más ancha que la otra). Este enchufe entrará en un tomacorriente polarizado solamente de una manera. Si el enchufe no entra por completo en el tomacorriente, déle la vuelta. Si sigue sin entrar, póngase en contacto con un electricista competente para instalar el tomacorriente adecuado. No haga ningún tipo de cambio en el enchufe.

Con el cable de alimentación enchufado, “ENCIENDA” la aspiradora presionando sobre la “I” (parte superior) del interruptor de alimentación. Para “APAGAR” la aspiradora, presione la “O” (parte inferior) del interruptor de alimentación. Los símbolos utilizados en el accionador del interruptor son los símbolos internacionales de “encendido y apagado”.



FUNCIONAMIENTO

Recogida de materiales secos con la aspiradora

1. El filtro siempre debe estar instalado correctamente para evitar fugas y posibles daños a la aspiradora.
2. Para mantener un rendimiento máximo cuando se aspire polvo fino, limpie el tambor y el filtro con regularidad.

NOTA: No utilice un filtro mojado cuando recoja material seco. El filtro se obstruirá rápidamente y será difícil de limpiar.

3. Si el filtro está mojado, se debe dejar que se seque completamente o se debe reemplazar por un filtro seco antes de utilizar la aspiradora para recoger material seco.

Recogida de líquidos con la aspiradora

1. La aspiración de pequeñas cantidades de líquido (menos de 2 pulgadas (5 cm) recogidas en el tambor para polvo) no requiere retirar el filtro.
2. Cuando se vayan a recoger cantidades más grandes de líquido, retire el filtro, pero no retire la jaula del filtro ni el flotador, para impedir que el filtro se sature con líquido. Si el filtro se satura es posible que se vea salir "niebla" por el orificio de soplado.
3. Cuando el tambor esté "lleno", el flotador subirá y cortará la circulación de aire. El sonido del motor aumentará de tono y su velocidad se incrementará, indicando que el tambor está "lleno". APAGUE la aspiradora y desenchufe el cable de alimentación antes de vaciar el tambor.

⚠ ADVERTENCIA:

No utilice la aspiradora sin la jaula del filtro y el flotador, ya que estas piezas evitan que entre líquido en el impulsor y dañe el motor.

4. Después de usar la aspiradora para recoger residuos mojados, deje que el filtro se seque completamente para evitar la formación de moho y daños al filtro.

IMPORTANTE: Para reducir el riesgo de daños a la aspiradora, no tenga en marcha el motor con el flotador en la posición elevada.

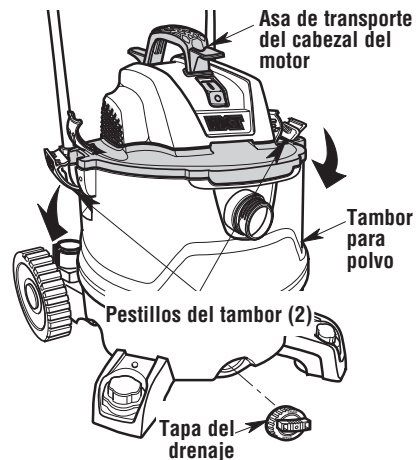
Vaciado del tambor

⚠ ADVERTENCIA:

Para reducir el riesgo de lesiones por causa de un arranque accidental, desenchufe el cable de alimentación antes de vaciar el tambor.

1. Desenchufe el cable de alimentación de la fuente de alimentación.
2. La aspiradora viene equipada con un drenaje para vaciarla fácilmente de líquidos. Posicione la aspiradora cerca de un desagüe o receptáculo adecuado y retire la tapa del drenaje.
3. Retire el ensamblaje del cabezal del motor jalando hacia fuera en la parte de arriba de los dos pestillos.
4. Levante el ensamblaje del cabezal del motor para separarlo del tambor para polvo y póngalo a un lado.
5. Utilice las asas del tambor para polvo ubicadas en la parte inferior de dicho tambor para levantarlo y vaciarlo en un recipiente de eliminación de residuos adecuado.

NOTA: No lleve la aspiradora por el asa de transporte del cabezal del motor cuando la aspiradora esté llena.



⚠ ADVERTENCIA:

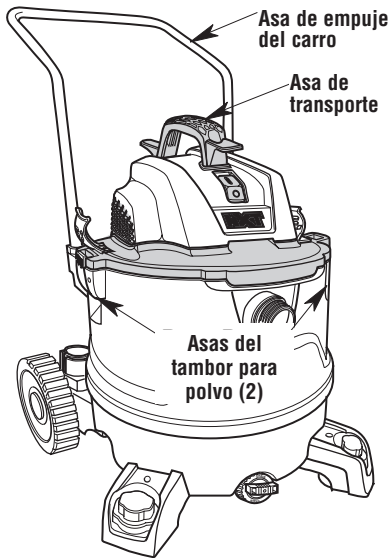
Para reducir el riesgo de lesiones en la espalda o de caídas, no levante una aspiradora que pese mucho debido a que contiene líquido o residuos. Saque o vierta bastante contenido para hacer que la aspiradora sea lo suficientemente liviana como para poder levantarla cómodamente.

FUNCIONAMIENTO

Traslado de la aspiradora para mojado/seco

Si fuera necesario levantar la aspiradora para moverla, se deberán usar las asas ubicadas a cada lado del tambor para polvo o el asa de transporte del cabezal del motor para levantarla.

Para maniobrar la aspiradora, se deberá usar el asa de empuje del carro que se encuentra en la parte trasera de la aspiradora.



Dispositivo de soplado

Su aspiradora cuenta con un orificio de aspiración. Tiene capacidad para soplar aserrín y otros residuos. Siga los pasos que se indican a continuación para utilizar la aspiradora como soplador.

1. Localice el orificio de soplado en la parte trasera del cabezal del motor de la aspiradora para seco/mojado.
2. Alinee el botón de liberación de la manguera con fijación profesional con los salientes del orificio de soplado. Empuje el extremo de la manguera directamente hacia el interior del orificio de soplado hasta que el botón de liberación de la manguera acople completamente los salientes del orificio de soplado.
3. (Opcional) Coloque el tubo extensor en el extremo giratorio de la manguera. Consulte la sección Accesorios fijables de este manual para obtener instrucciones sobre cómo conectar los accesorios fijables.
4. Encienda la aspiradora y estará listo para usarla como soplador.

⚠ ADVERTENCIA:

Use siempre protectores oculares de seguridad que cumplan con la norma ANSI Z87.1 (o en Canadá, con la norma CSA Z94.3) antes de utilizar la aspiradora como soplador.

⚠ ADVERTENCIA:

Para reducir el riesgo de lesiones a las personas que estén presentes, manténgalas alejadas de los residuos soplados.

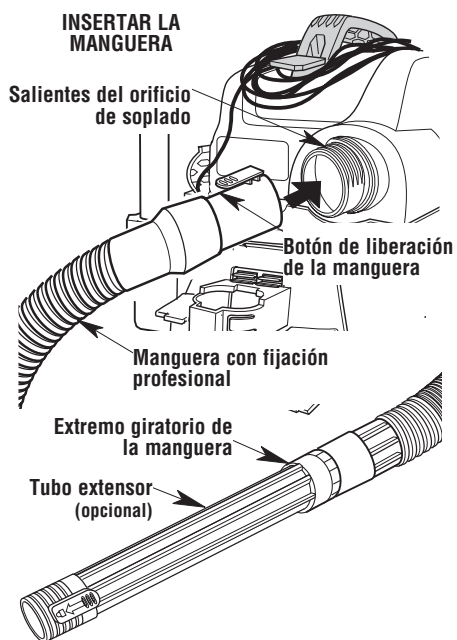
⚠ PRECAUCIÓN:

Use una máscara antipolvo si el soplado genera polvo que podría ser inhalado.

⚠ PRECAUCIÓN:

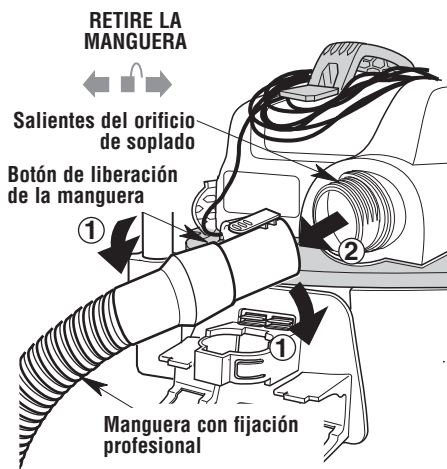
Para reducir el riesgo de daños a la audición, use protectores de oídos cuando utilice la aspiradora/soplador durante muchas horas seguidas o cuando la utilice en un área ruidosa.

FUNCIONAMIENTO



Retire la manguera:

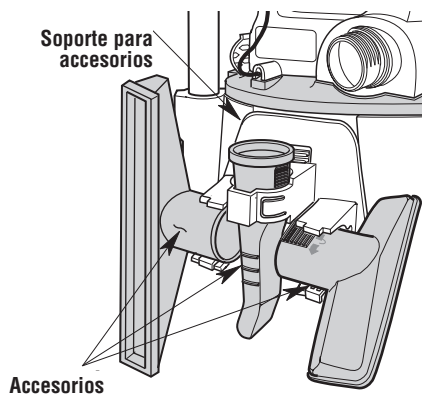
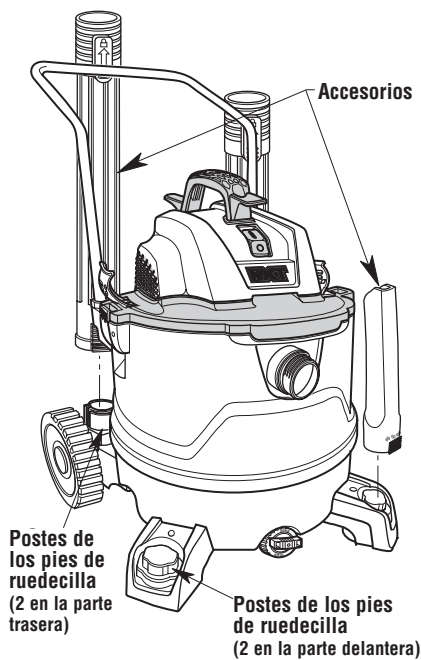
1. Rote el extremo de la manguera en cualquiera de las dos direcciones para desacoplar los salientes del orificio de soplado.
2. Presione el botón de liberación de la manguera y jale el extremo de la manguera directamente hacia fuera del orificio de soplado.



ALMACENAMIENTO DE LOS ACCESORIOS Y LA MANGUERA

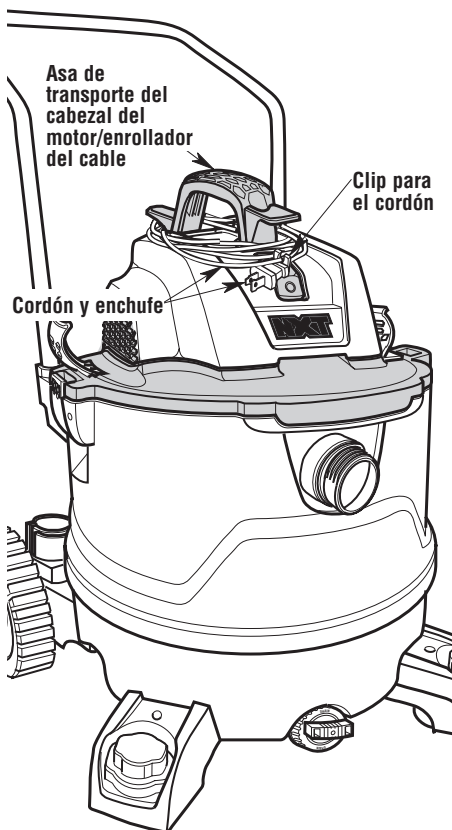
Almacenamiento de los accesorios

1. Los tubos extensores y otros accesorios se pueden almacenar colocándolos sobre los postes de los dos pies de ruedecilla.
2. Para retirarlos, gire y jale hacia arriba el tubo extensor o el accesorio.
3. Acople a presión accesorios adicionales en el soporte para accesorios.



Almacenamiento del cable de alimentación

Para almacenar el cable de alimentación, enróllelo alrededor del asa de transporte del cabezal del motor / enrollador del cable debajo de las dos lengüetas. Sujete firmemente el cable utilizando el clip para el cable ubicado en el enchufe.



ALMACENAMIENTO DE LOS ACCESORIOS Y LA MANGUERA

Almacenamiento de la manguera

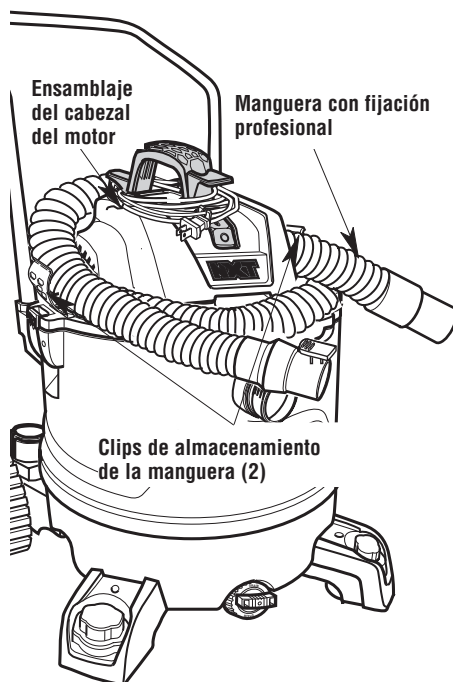
La manguera con fijación profesional se puede almacenar alrededor del ensamblaje del cabezal del motor insertándola por completo entre la carcasa del motor y los clips para la manguera.

⚠ PRECAUCIÓN:

No utilice la aspiradora mientras la manguera aún esté enrollada alrededor del ensamblaje del cabezal del motor en la posición de almacenamiento.

⚠ ADVERTENCIA:

No ponga ningún objeto en las aberturas de ventilación. No recoja nada con la aspiradora cuando cualquiera de las aberturas de ventilación esté bloqueada; mantenga dichas aberturas libres de polvo, pelusa, pelo o cualquier cosa que pueda reducir el flujo de aire.



MANTENIMIENTO

Filtro

⚠ ADVERTENCIA:

Para reducir el riesgo de lesiones debidas a un arranque accidental, desenchufe el cordón de energía antes de cambiar o limpiar el filtro.

NOTA: Este filtro está hecho de papel de alta calidad diseñado para detener partículas de polvo muy pequeñas. El filtro se puede usar para recoger material seco o pequeñas cantidades de líquido. Maneje el filtro cuidadosamente al quitarlo para limpiarlo o al instalarlo. Es posible que se produzcan arrugas en los pliegues del filtro, pero dichas arrugas no afectarán el funcionamiento del filtro.

Remoción e instalación del filtro Qwik Lock™

Remoción del filtro:

1. Coloque los dedos debajo de las dos lengüetas del filtro.
2. Mientras presiona hacia abajo con un pulgar sobre el espárrago Qwik Lock™ que sobresale a través del centro de la placa del filtro, levante las lengüetas hasta que el filtro se libere.
3. Deslice el filtro hasta separarlo de la jaula del filtro.

IMPORTANTE: Para evitar daños a la rueda del soplador y al motor, reinstale siempre el filtro antes de utilizar la aspiradora para recoger residuos secos.

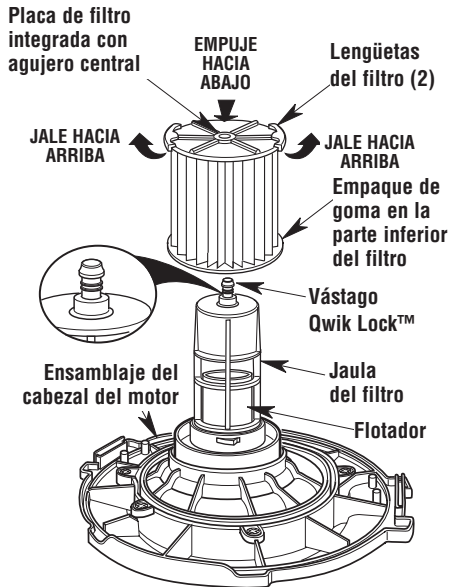
Instalación del filtro:

1. Deslice el filtro Qwik Lock™ sobre la jaula del filtro mientras alinea el espárrago Qwik Lock™ ubicado en la jaula del filtro con el agujero central de la placa del filtro integrada Qwik Lock™.
2. Asegúrese de que la empaquetadura de goma ubicada en la parte inferior del filtro Qwik Lock™ se asiente alrededor de la base de la jaula del filtro.
3. Presione firmemente la placa del filtro integrada Qwik Lock™ hacia abajo alrededor del espárrago Qwik Lock™ hasta se acople a presión en la posición correcta.

NOTA: Si la empaquetadura inferior y la placa del filtro integrada no se asientan correctamente en la jaula del filtro, el resultado podría ser que los residuos rebasen el filtro.

⚠ ADVERTENCIA:

No utilice la aspiradora sin la jaula del filtro y el flotador, ya que estas piezas evitan que entre líquido en el impulsor y dañe el motor.



El filtro se debe limpiar a menudo para mantener un rendimiento óptimo de la aspiradora.

MANTENIMIENTO

Limpeza de un filtro seco

1. Se puede lograr una extracción parcial de residuos sin quitar el filtro de la aspiradora. Golpee la parte superior de la tapa con la mano mientras la aspiradora está apagada.
2. Para obtener óptimos resultados de limpieza debido a la acumulación de polvo, limpie el filtro en un área abierta. La limpieza SE DEBE realizar al aire libre y no en el interior de la vivienda.
3. Después de quitar el filtro de la aspiradora, saque los residuos secos golpeando suavemente el filtro contra la pared interior del tambor para polvo. Los residuos se soltarán y caerán.
4. Para una limpieza a fondo del filtro seco con polvo fino (sin residuos), haga pasar agua a través del filtro tal como se describe bajo "Limpeza de un filtro mojado".

Limpeza de un filtro mojado

Después de quitar el filtro, haga pasar agua a través de él usando una manguera o desde una espita. Tenga cuidado de que la presión del agua procedente de la manguera no sea tan fuerte como para dañar el filtro.

IMPORTANTE: Después de limpiar el filtro, compruebe si éste tiene desgarraduras o agujeros pequeños. No use un filtro que tenga agujeros o desgarraduras. Incluso un agujero pequeño puede hacer que se salga mucho polvo de la aspiradora. Cámbielo inmediatamente.

Deje que el filtro se seque antes de reinstalarlo y almacenar la aspiradora o recoger residuos secos.

 **ADVERTENCIA:** Para garantizar la **SEGURIDAD** y **CONFIABILIDAD** del producto, cualquier otro mantenimiento, reparación y ajuste deberá ser realizado por centros de servicio Autorizados, utilizando siempre piezas de repuesto RIDGID.

PIEZAS DE REPUESTO

Aspiradora para mojado/seco con carro de 14 galones EE.UU. (53 litros)

Número de modelo RT14000


Clasificaciones eléctricas:
120 V 10,5 A 60 Hz

Las piezas RIDGID se encuentran disponibles en línea conectándose a
store.ridgid.com/provacs


Pida siempre por número de pieza —no por número de clave


ADVERTENCIA:

SERVICIO DE AJUSTES Y REPARACIONES DE UNA ASPIRADORA PARA MOJADO/ SECO CON AISLAMIENTO DOBLE

En una aspiradora para mojado/seco con aislamiento doble se proporcionan dos sistemas de aislamiento en vez de conexión a tierra. No se proporciona ningún medio de conexión a tierra en un aparato electrodoméstico con aislamiento doble, ni se debe añadir a éste ningún medio de conexión a tierra. El servicio de ajustes y reparaciones de una aspiradora para mojado/seco con aislamiento doble requiere extremado cuidado y conocimiento del sistema, y debe ser realizado únicamente por personal de servicio competente. Las piezas de repuesto para la aspiradora para mojado/seco con aislamiento doble deben ser idénticas a las piezas que reemplazan. La aspiradora para mojado/seco con aislamiento doble está marcada con las palabras "DOUBLE INSULATED" (con aislamiento doble) y puede que el símbolo  (un cuadrado dentro de un cuadrado) también esté marcado en los aparatos.

Para reducir el riesgo de lesiones por causa de descargas eléctricas, desenchufe el cordón de energía antes de hacer servicio de ajustes y reparaciones a las piezas eléctricas de la aspiradora para mojado/seco.

 **ADVERTENCIA:** Para reducir el riesgo de lesiones por causa de descargas eléctricas, desenchufe el cordón de energía antes de hacer servicio de ajustes y reparaciones a las piezas eléctricas de la aspiradora para mojado/seco.

 **ADVERTENCIA:** Para reducir el riesgo de lesiones por causa de descargas eléctricas, desenchufe el cordón de energía antes de hacer servicio de ajustes y reparaciones a las piezas eléctricas de la aspiradora para mojado/seco.

Este producto tiene una Política de garantía de satisfacción por 90 días, así como una Garantía limitada de por vida. Para obtener los detalles de la Garantía y de la Política, visite RIDGID.com/VacWarranty o llame al 1-800-4-RIDGID.



EMERSON
www.RIDGID.com

© 2019 Emerson

No. de pieza SP7080

No. de formulario SP7080-1

Impreso en México 04/19

INSTRUCTIONS IMPORTANTES RELATIVES À LA SÉCURITÉ

La sécurité est une combinaison de faire preuve de bon sens, rester vigilant et savoir comment votre aspirateur de liquides et de poussières (« l'aspirateur ») fonctionne.

Termes de signalisation de questions de sécurité

⚠ DANGER : indique une situation dangereuse qui, si elle n'est pas évitée, causera la mort ou une blessure grave.

⚠ AVERTISSEMENT : indique une situation dangereuse qui, si elle n'est pas évitée, risque de causer la mort ou une blessure grave.

⚠ MISE EN GARDE : indique une situation dangereuse qui, si elle n'est pas évitée, pourrait causer une blessure légère ou modérée, ou des dommages matériels.

Prenez toujours des précautions élémentaires, notamment les précautions suivantes, lorsque vous utilisez votre aspirateur de liquides et de poussières :

⚠ AVERTISSEMENT

– Pour réduire le risque d'incendie, de choc électrique ou de blessure :

- Lisez et comprenez ce manuel et toutes les étiquettes placées sur l'aspirateur de liquides et de poussières avant de mettre celui-ci en marche.
- N'utilisez l'aspirateur que comme cela est décrit dans ce mode d'emploi.
- Ne laissez pas en marche pendant que vous êtes absent – vous vous risqueriez de manquer des signes importants indiquant un fonctionnement anormal, comme une perte de puissance d'aspiration, la sortie de débris ou de liquides par la bouche de soufflage d'air ou des bruits anormaux en provenance du moteur. Cessez immédiatement d'utiliser l'aspirateur si vous constatez de tels signes.
- Ne laissez pas l'aspirateur sans surveillance quand il est branché dans une prise de courant. Débranchez-le de la prise quand il n'est pas utilisé et avant toute opération de maintenance.
- Des étincelles à l'intérieur du moteur risquent de mettre feu à des vapeurs ou poussières inflammables. Pour réduire le risque d'incendie ou d'explosion : n'utilisez pas à proximité de gaz ou de liquides inflammables ou combustibles, ou de poussières explosives, comme de l'essence automobile ou d'autres fiouls, de l'essence à briquet, des produits de nettoyage, de la peinture à l'huile, du gaz naturel, de la poussière de charbon, de la poussière de magnésium, de la poussière d'aluminium, de la poussière de céréales ou de la poudre noire.

- N'aspirez jamais de matières en train de brûler ou des matières fumigènes, telles que des cigarettes, des allumettes ou des cendres chaudes.
- Videz le tambour après chaque utilisation pour éviter le risque d'auto-inflammation des débris du tambour. Les matériaux combustibles, tels que des chiffons ou de la sciure contenant des colorants ou de l'uréthane, peuvent être des sources d'une telle surchauffe.
- N'aspirez jamais de poussières de plaques de plâtre, de suie ou de cendres de cheminée froides lorsqu'un filtre pour aspirateur de liquides et de poussières standard. Il s'agit de poussières très fines qui risqueraient d'être projetées à nouveau dans l'air ambiant. Utilisez un filtre à poussières fines à la place.
- Pour réduire le risque d'inhalation de vapeurs toxiques, n'aspirez pas de matériaux toxiques ou dangereux, et n'utilisez pas à proximité de tels matériaux.
- Pour réduire le risque de choc électrique, n'exposez pas à la pluie et empêchez l'entrée de liquides dans le compartiment du moteur. Rangez à l'intérieur.
- Cet aspirateur de liquides et de poussières n'est pas conçu pour emploi par des personnes (y compris des enfants) ayant des capacités physiques, sensorielles ou mentales réduites, ou qui n'ont pas l'expérience ou les connaissances nécessaires, sauf en cas de supervision ou d'instructions sur l'utilisation de cet appareil par une personne responsable de leur sécurité.
- Ne laissez pas les enfants se servir de l'aspirateur comme d'un jouet. Il faut surveiller de très près quand il est utilisé par des enfants ou à proximité d'enfants.
- N'utilisez pas avec un filtre déchiré ou sans avoir installé de filtre, sauf quand vous aspirez des liquides, comme cela est décrit dans ce mode d'emploi. Des débris secs capturés par la roue risquent d'endommager le moteur ou d'être expulsés à nouveau dans l'air ambiant.
- Éteignez l'aspirateur avant de le débrancher.
- Pour réduire le risque de blessure pouvant être causée par une mise en marche accidentelle, débranchez le cordon d'alimentation avant de changer le filtre ou de le nettoyer.
- Ne débranchez pas en tirant sur le cordon. Pour débrancher, saisissez la fiche – pas le cordon.
- N'utilisez pas l'aspirateur avec une fiche, un cordon ou un autre composant endommagé. Si votre aspirateur ne fonctionne pas comme il faut, s'il manque des pièces, s'il quelqu'un l'a laissé tomber, s'il est endommagé, s'il a été laissé à l'extérieur ou s'il est tombé dans de l'eau, téléphonez au service d'assistance à la clientèle.
- Ne tirez pas l'aspirateur et ne le portez pas par son cordon, n'utilisez pas le cordon pour servir de poignée, ne fermez pas une porte sur le cordon et ne laissez pas le cordon tendu passer sur des bords

INSTRUCTIONS IMPORTANTES RELATIVES À LA SÉCURITÉ

ou des coins tranchants. Ne traînez pas l'aspirateur sur son cordon. Maintenez le cordon à distance des surfaces chauffées.

- Ne touchez pas la fiche, l'interrupteur ou l'aspirateur avec des mains mouillées.
- Utilisez seulement des cordons de rallonge qui sont conçus pour emploi à l'extérieur. Les cordons de rallonge en mauvais état ou trop petits en termes de calibre des fils peuvent poser des risques d'incendie et de choc électrique. Pour réduire le risque de tels dangers, inspectez les cordons pour vous assurer qu'ils sont en bon état et que le liquide n'entre pas en contact avec le raccordement. N'utilisez pas de cordons de rallonge dont les conducteurs ont un calibre inférieur à 1,3 mm² (16 AWG).
- Cet aspirateur de liquides et de poussières a une double isolation, ce qui élimine le besoin d'un système de mise à la terre séparé. Utilisez seulement des pièces de rechange identiques. Lisez les instructions concernant l'entretien des aspirateurs de liquides et de poussières à double isolation avant toute opération d'entretien.
- Ne mettez aucun objet dans les orifices de ventilation. N'aspirez pas quand de quelconques orifices de ventilation sont obstrués; assurez-vous que ces orifices ne sont pas bloqués par de la poussière, de la peluche, des cheveux ou de quelconques objets pouvant réduire la circulation de l'air.
- Gardez les cheveux, les vêtements flottants, les doigts et toutes les parties du corps à distance des orifices et des pièces mobiles.
- Pour réduire le risque de chute, faites très attention lorsque vous utilisez l'aspirateur dans des escaliers.
- Pour réduire le risque de vous faire mal au dos ou de tomber, ne soulevez pas un aspirateur qui est lourd en raison de la présence de liquides ou de débris aspirés. Videz partiellement l'aspirateur en écopant ou en purgeant.
- Pour réduire le risque de blessure ou le risque d'endommagement de l'aspirateur, n'utilisez que des accessoires recommandés par RIDGID.
- En cas d'utilisation de l'aspirateur comme soufflante :
 - Ne dirigez la décharge d'air que vers la zone de travail.
 - Ne dirigez pas l'air vers des personnes présentes à proximité.
 - Gardez les enfants à distance lors du fonctionnement de la soufflante.
 - N'utilisez la soufflante que pour souffler des saletés et des débris.
 - N'utilisez pas en guise de pulvérisateur.

- Pour réduire le risque de blessure pour les yeux, portez des lunettes de sécurité. L'utilisation de toute soufflante ou de tout aspirateur utilitaire peut toujours causer la projection de corps étrangers dans les yeux, ce qui risque d'entraîner des blessures graves aux yeux.
- Pour réduire le risque d'être frappé ou entraîné par un aspirateur en train de rouler, bloquez les roulettes lorsque vous utilisez l'aspirateur sur une surface inégale ou inclinée.

⚠ MISE EN GARDE :

- Pour réduire le risque de perte auditive, portez des protecteurs d'oreilles lorsque vous servez de l'aspirateur pendant plusieurs heures ou quand vous l'utilisez dans un endroit bruyant.
- Portez un masque antipoussières en cas d'utilisation dans un environnement poussiéreux.
- Les décharges statiques sont fréquentes dans les endroits secs ou lorsque l'humidité relative de l'air ambiant est faible. L'aspiration de débris fins avec votre aspirateur peut déposer une charge statique sur le tuyau ou sur l'aspirateur. La meilleure chose à faire pour réduire la fréquence des décharges statiques chez vous ou lorsque vous utilisez cet aspirateur consiste à ajouter de l'humidité dans l'air avec un humidificateur.

Observez les avertissements suivants qui figurent sur le carter du moteur de votre aspirateur :



DOUBLEMENT ISOLÉ. MISE À LA TERRE NON NÉCESSAIRE. POUR L'ENTRETIEN, N'UTILISEZ QUE DES PIÈCES DE RECHANGE IDENTIQUES.

⚠ AVERTISSEMENT :

- Pour votre propre sécurité, lisez et comprenez le manuel de l'opérateur.
- Ne laissez jamais l'aspirateur en marche sans surveillance.
- Ne ramassez pas de cendres chaudes, de charbon, de matériaux inflammables, combustibles/auto-inflammables, de matériaux toxiques ou d'autres matériaux dangereux.
- N'utilisez pas à proximité de vapeurs ou de liquides explosifs.

⚠ AVERTISSEMENT :

pour réduire le risque de choc électrique – n'exposez pas à la pluie – rangez à l'intérieur.

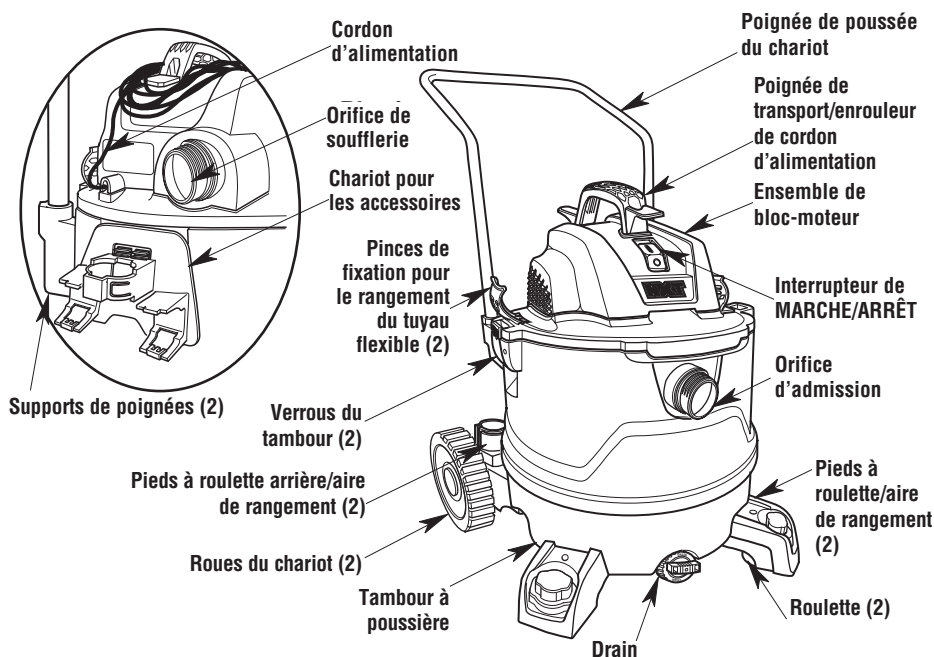
CONSERVER CE MANUEL

INTRODUCTION

Cet aspirateur de liquides et de poussières sur chariot est conçu pour emploi résidentiel seulement. Il peut être utilisé pour aspirer des matières humides ou sèches, et il peut également faire fonction de souffleuse.

Lisez ce mode d'emploi pour vous familiariser avec les fonctions du produit et pour comprendre les particularités d'utilisation de votre nouvel aspirateur.

Apprendre à connaître votre aspirateur de liquides et de poussières



Il faut bien se familiariser avec les accessoires qui ont été inclus avec cet aspirateur. Chaque accessoire peut être utilisé de façons multiples pour l'aspiration ou le soufflage de débris. Voici une liste des accessoires et des divers moyens de les utiliser :

Tuyau flexible verrouillable professionnel – Permet de transférer la capacité d'aspirer ou de souffler sur le site de travail. Fournit le moyen de connecter des baguettes de rallonge et des suceurs. Tuyau flexible verrouillable de 48 mm/1-7/8 po x 2,4 m / 8 pi – compatible avec les accessoires de 2-1/2 po.

Baguettes de rallonge – Ces baguettes peuvent être connectées ensemble et fournir une longueur supplémentaire.

Suceur plat – Sert à ramasser les débris dans les endroits difficiles à atteindre.

Suceur humide – Utilisé pour aspirer des liquides répandus sur une surface lisse et sécher cette surface en une seule action.

Suceur à usages multiples – Suceur d'utilité générale servant à la plupart des applications de nettoyage avec un aspirateur.

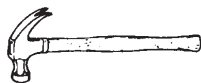
Suceur pour véhicules – Suceur pour le ramassage de débris secs à l'intérieur d'un véhicule et pour le nettoyage de la plupart des garnitures.

INTRODUCTION

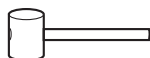
Outils nécessaires



Tournevis cruciforme



Marteau



Maillet

Recommandé :



Douille de 5/8 po
(16 mm)

Déballage

Ce produit nécessite un assemblage.

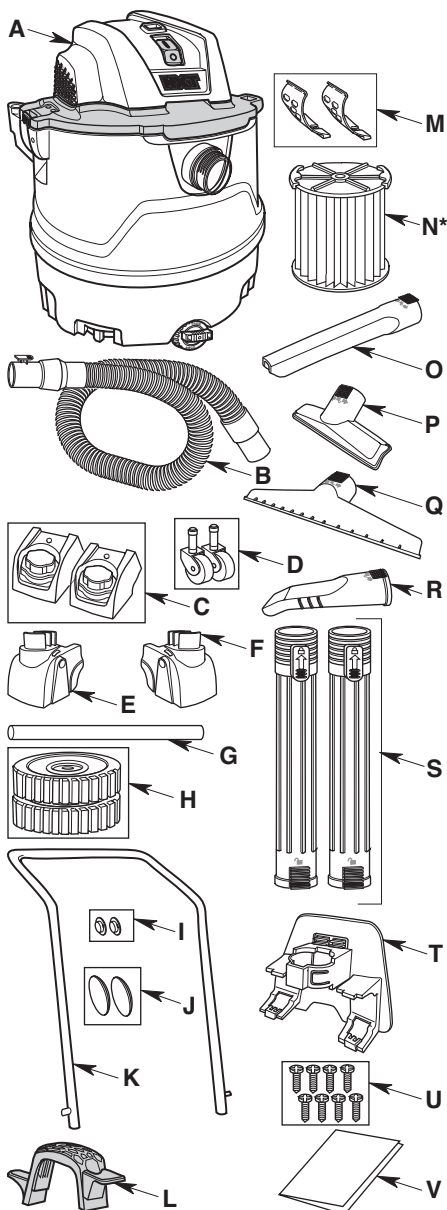
Vérifiez toutes les pièces du carton par rapport à la liste des pièces détachées.

Si de quelconques pièces sont endommagées ou manquantes, téléphonez au 1-800-4-RIDGID (depuis les É.-U. ou le Canada), ou envoyez un courriel à info@ridgidvac.com.

Liste du contenu de la boîte en carton

Légende	Description	Qté
A	Aspirateur de liquides et de poussières.....	1
B	Tuyau flexible verrouillable professionnel.....	1
C	Pieds à roulette avant avec aire de rangement...2	
D	Roulettes.....	2
E	Pied d'essieu arrière avec aire de rangement (droit).....	1
F	Pied d'essieu arrière avec aire de rangement (gauche).....	1
G	Essieu.....	1
H	Roues de 8 po (20 cm).....	2
I	Écrous borgnes de 1/2 po (13 mm).....	2
J	Chapeaux de roue.....	2
K	Poignée de poussée du chariot.....	1
L	Poignée de transport / enrouleur de cordon d'alimentation.....	1
M	Pincés de fixation du tuyau.....	2
N*	Filtere Qwik Lock™.....	1
O	Suceur plat.....	1
P	Suceur à usages multiples.....	1
Q	Suceur humide.....	1
R	Suceur pour véhicules.....	1
S	Baquettes de rallonge.....	2
T	Chariot pour les accessoires.....	1
U	Vis à tête cylindrique, n° 10 x 3/4 po (19 mm).....	8
V	Mode d'emploi.....	1

* Le filtre est livré prémonté.

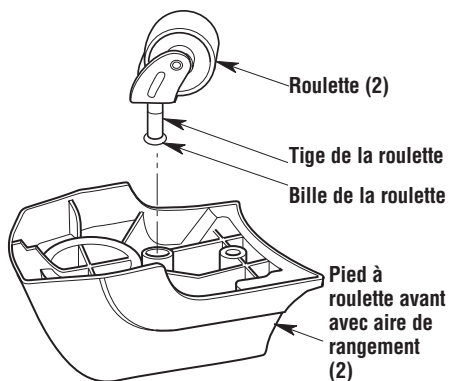


ASSEMBLAGE

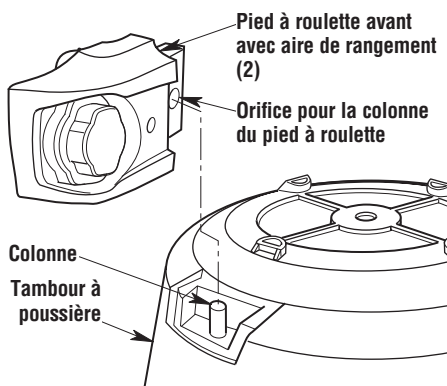
Assemblage de roulette avant/pied à roulette

REMARQUE : retirez l'ensemble de bloc-moteur du tambour à poussière avant d'assembler les pieds à roulettes et les roulettes (voir la section Fixation/retrait de l'ensemble de bloc-moteur sur le tambour à poussière, si nécessaire).

1. Retourner le tambour à poussière sens dessus dessous sur le sol.
2. Placez le pied à roulette sur le plancher, comme illustré. Introduisez la tige d'une roulette dans la douille du pied à roulette.
3. Poussez la roulette jusqu'à ce que l'extrémité à bille de la roulette s'enclenche complètement dans la douille et que la roulette pivote librement. Faites de même pour l'autre roulette et l'autre pied à roulette.

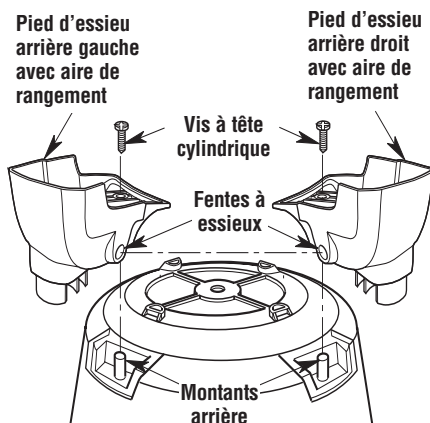


4. Placez le pied à roulette avec roulette sur la colonne au bas du tambour à poussière et appuyez fermement en place, comme illustré.
5. Répétez pour l'autre ensemble de pied à roulette/roulette.



Assemblage de pieds, essieu et roues arrière

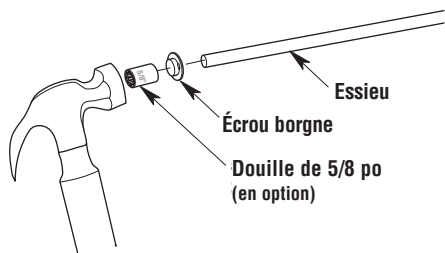
1. Tout en faisant face à l'arrière du tambour à poussière, placez le pied de l'essieu arrière droit avec l'aire de stockage sur le montant de gauche et appuyez pour assujettir fermement en place.
2. Faites de même pour le pied d'essieu arrière gauche avec aire de rangement sur le montant droit. Les fentes de l'essieu sur les pieds d'essieu arrière avec aire de rangement doivent être alignées.
3. Utilisez une vis à tête cylindrique bombée N° 10 x 3/4 po (19 mm) (fournie) pour assujettir chaque pied d'essieu arrière avec aire de rangement au tambour.



ASSEMBLAGE

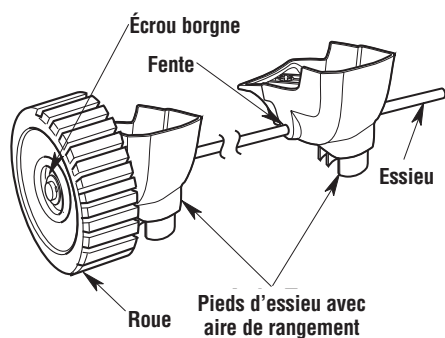
4. Localisez l'essieu et un écrou borgne. Placez l'écrou borgne à une extrémité de l'essieu et tapotez doucement avec un marteau jusqu'à ce qu'il soit fermement en place.

***Suggestion :** utilisez une douille de 5/8 po pour sécuriser fermement l'écrou borgne tout en tapant sur l'essieu avec le marteau.



5. Faites glisser une roue sur l'essieu en vous assurant que le côté lisse de la roue fait face à l'écrou borgne.

6. Faites glisser l'extrémité ouverte de l'essieu à travers la fente de l'essieu dans l'un des pieds d'essieu arrière avec aire de rangement et continuez jusqu'à ce que l'extrémité ouverte de l'essieu se prolonge à travers la fente de l'autre pied d'essieu arrière avec aire de rangement.

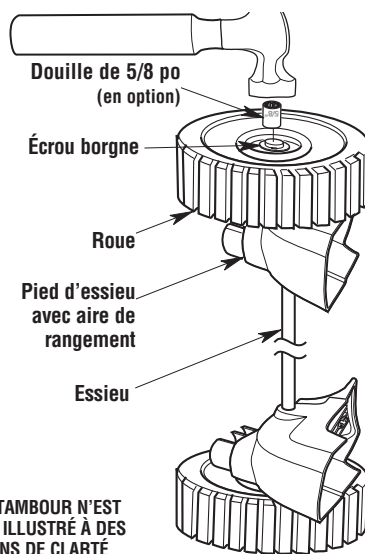


LE TAMBOUR N'EST PAS ILLUSTRÉ À DES FINS DE CLARTÉ

7. Repositionnez le tambour à poussière de telle sorte que la roue déjà assemblée soit face au sol.

8. Installez la deuxième roue sur l'essieu en vous assurant que le côté lisse de la roue soit orienté vers le haut.

9. En utilisant un marteau, tapotez doucement sur le dernier écrou borgne pour le faire entrer dans l'extrémité ouverte de l'essieu.

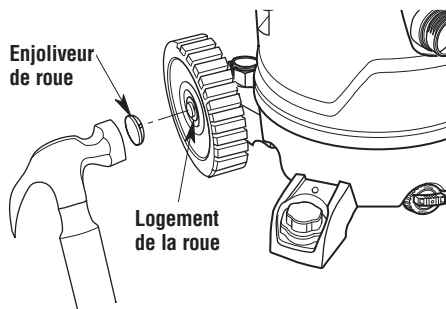


LE TAMBOUR N'EST PAS ILLUSTRÉ À DES FINS DE CLARTÉ

10. Faites tourner le tambour à poussière avec l'ensemble des pieds d'essieu arrière avec aire de rangement et les roues en position verticale.

11. En utilisant un maillet ou un marteau, tapotez doucement sur les enjoliveurs des roues pour les faire entrer dans les logements des roues.

12. Continuez jusqu'à la section d'assemblage de l'aspirateur de liquides et de poussières.

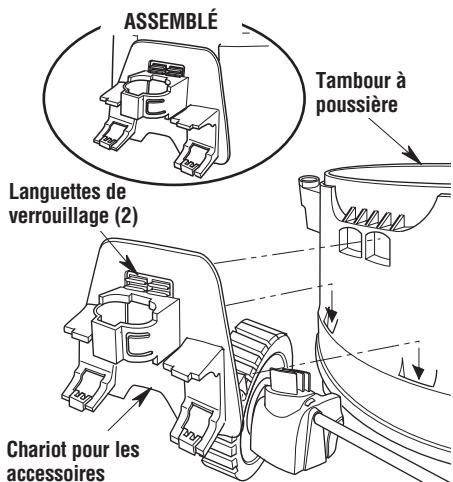


ASSEMBLAGE

Assemblage de l'aspirateur de liquides et de poussières :

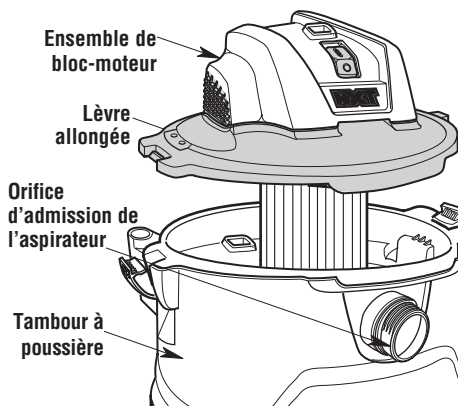
Installation du chariot pour les accessoires

1. Positionnez le chariot pour les accessoires à l'arrière du tambour à poussière et alignez les languettes de verrouillage.
2. Faites glisser les languettes du chariot pour les accessoires à l'intérieur du tambour à poussière et enfoncez les languettes de verrouillage jusqu'à ce que vous entendiez un déclic. Tirez alors sur le chariot pour les accessoires pour confirmer qu'il est bien sécurisé.

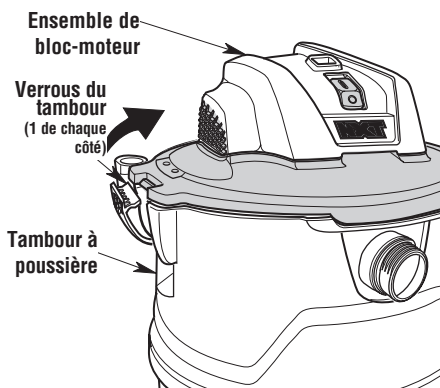


Fixation/retrait de l'ensemble de bloc-moteur sur le tambour à poussière

1. Placez l'ensemble de bloc-moteur au-dessus du tambour à poussière de telle façon que la lèvre étendue du couvercle soit alignée sur l'orifice d'admission de l'aspirateur. Assurez-vous que l'ensemble de bloc-moteur est bien en place sur le tambour à poussière.



2. Appuyez sur les deux verrous situés de chaque côté du tambour à poussière jusqu'à ce qu'ils s'enclenchent, fixant l'ensemble de bloc-moteur sur le tambour à poussière.
3. Pour déposer l'ensemble de bloc-moteur, tirez sur les deux verrous et soulevez l'ensemble de bloc-moteur du tambour à poussière. Ne forcez pas les verrous à tourner plus que légèrement en dehors de la bride du tambour.



ASSEMBLAGE

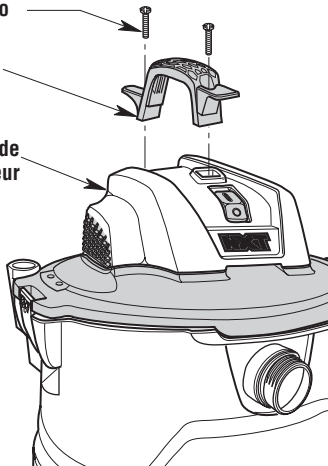
Assemblage de la poignée de transport / enrouleur de cordon d'alimentation

1. Repérez la poignée de transport / enrouleur de cordon d'alimentation et les deux (2) vis à tête cylindrique N° 10 x 3/4 po (19 mm) dans le sac de pièces détachées.
2. Positionnez la poignée de transport / enrouleur de cordon d'alimentation sur le dessus de l'ensemble de bloc-moteur, avec la bride allongée de la poignée de transport / enrouleur de cordon d'alimentation à l'arrière du bloc-moteur, comme illustré.
3. Introduisez une vis à tête cylindrique N° 10 x 3/4 po (19 mm) dans le trou à chaque extrémité de la poignée de transport / enrouleur de cordon d'alimentation et dans l'ensemble de bloc-moteur. Serrez fermement.

Vis à tête cylindrique
N° 10 x 3/4 po
(19 mm) (2)

Bride
allongée

Ensemble de
bloc-moteur



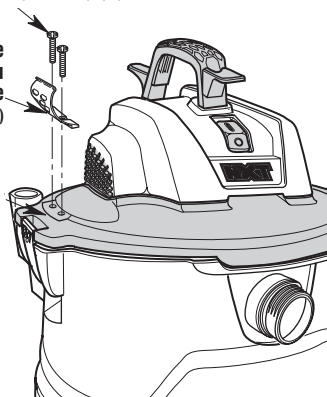
Assemblage de pinces de fixation pour le stockage du tuyau flexible

1. Localisez les deux (2) pinces de fixation du tuyau flexible et les quatre (4) vis à tête cylindrique bombée N° 10 x 3/4 po (19 mm) dans le sac de pièces détachées.
2. Placez une pince de fixation dans l'encastrement près de l'un des verrous. La partie courbée de la pince doit être orientée vers l'extérieur.
3. Insérez une vis à tête cylindrique bombée N° 10 x 3/4 po (19 mm) dans chaque trou de montage et serrez à fond.
4. Suivez la même procédure de l'autre côté.

Vis à tête cylindrique
N° 10 x 3/4 po (19 mm) (2)

Pinces de
fixation du
tuyau flexible
(1 de chaque côté)

Ensemble de
bloc-moteur

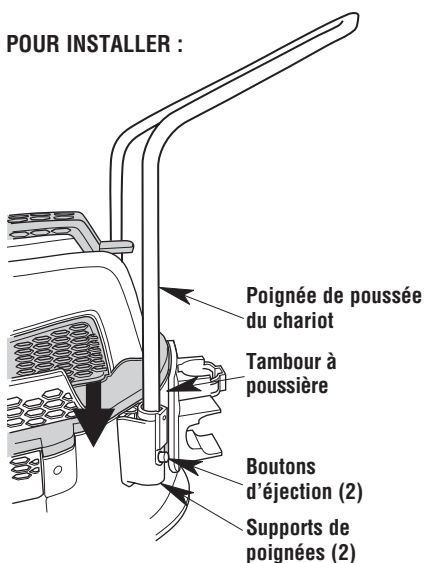


ASSEMBLAGE

Installation/retrait de la poignée de poussée du chariot

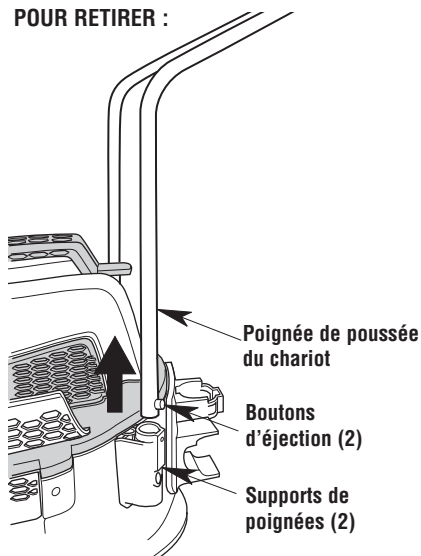
1. **Installation de la poignée** : faites glisser la poignée de poussée du chariot dans les deux supports de poignées situés à l'arrière du tambour à poussière.
2. Appuyez uniformément sur la poignée de poussée du chariot jusqu'à ce que les deux côtés soient complètement insérés dans les supports de poignée. Les boutons d'éjection doivent entrer dans les trous de verrouillage en faisant un dé clic.

POUR INSTALLER :



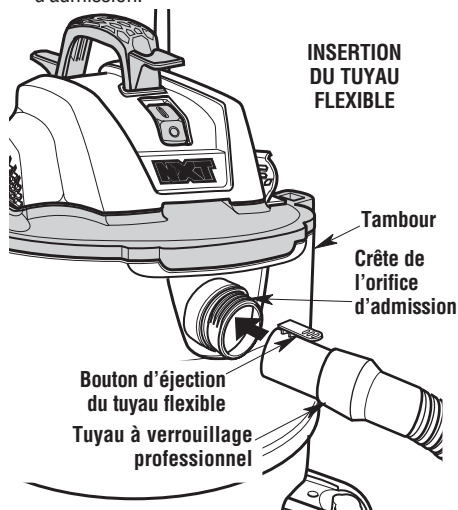
3. **Retrait de la poignée** : saisissez les deux côtés de la poignée juste au-dessus des supports de poignées. Appuyez fermement sur les deux boutons d'éjection en utilisant les index des deux mains tout en tirant sur la poignée de poussée du chariot. Il peut être utile de placer un pied sur l'un des pieds arrière pour sécuriser l'aspirateur.

POUR RETIRER :



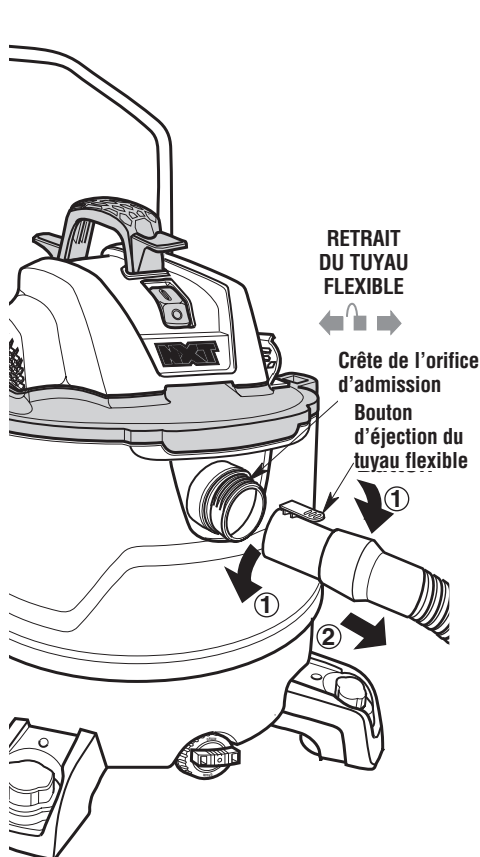
Insertion/retrait du tuyau flexible à verrouillage professionnel

1. **Pour insérer le tuyau flexible** : localisez l'extrémité du tuyau flexible à verrouillage professionnel et alignez-le sur l'orifice d'admission du tambour. Positionnez le bouton d'éjection du tuyau flexible avec les arêtes sur l'orifice d'admission de l'aspirateur. Enfoncez l'extrémité du tuyau flexible tout droit dans l'orifice d'admission de l'aspirateur jusqu'à ce que le bouton d'éjection du tuyau flexible soit totalement engagé sous la crête de l'orifice d'admission.



ASSEMBLAGE

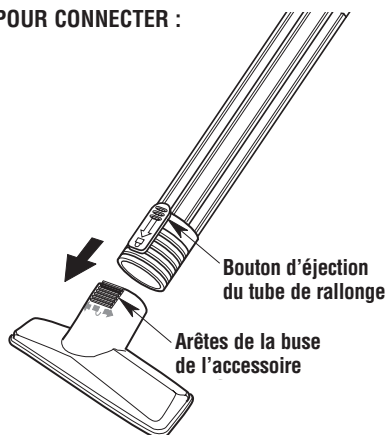
2. **Pour retirer le tuyau flexible :** faites tourner l'extrémité du tuyau flexible à verrouillage professionnel dans un sens ou dans l'autre afin de détacher le verrou du tuyau flexible de la crête de l'orifice d'admission. Appuyez sur le bouton d'éjection du tuyau flexible et tirez tout droit sur l'extrémité du tuyau flexible pour le faire sortir de l'orifice d'admission de l'aspirateur.



Accessoires verrouillables

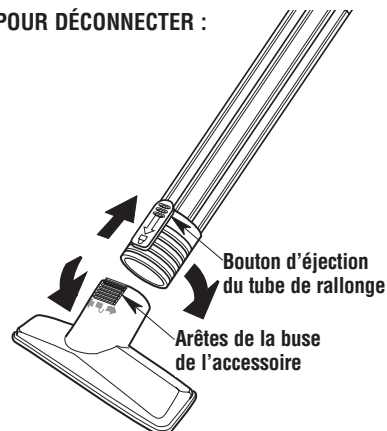
1. **Pour connecter l'accessoire :** votre aspirateur de liquides et de poussières RIDGID inclut des accessoires verrouillables pour empêcher les accessoires de tomber pendant leur utilisation. Pour connecter les accessoires, alignez les arêtes de la buse de l'accessoire sur le bouton d'éjection de votre tube de rallonge. Appuyez pour sécuriser la buse sur le tube de rallonge.

POUR CONNECTER :



2. **Pour déconnecter l'accessoire :** faites tourner la buse et le tube de rallonge pour désengager les arêtes de la buse, puis tirez. Vous pouvez également appuyer sur le bouton d'éjection et tirer pour désengager.

POUR DÉCONNECTER :



FONCTIONNEMENT

⚠ AVERTISSEMENT : pour réduire le risque d'incendie, d'explosion ou d'endommagement de l'aspirateur :

- Ne laissez pas en marche pendant que vous êtes absent – vous risqueriez de manquer des signes importants indiquant un fonctionnement anormal, comme une perte de puissance d'aspiration, la sortie de débris ou de liquides par la bouche de soufflage d'air ou des bruits anormaux en provenance du moteur. Cessez immédiatement d'utiliser l'aspirateur si vous constatez de tels signes.
- Ne laissez pas l'aspirateur branché lorsque vous ne l'utilisez pas.
- Ne continuez pas à utiliser l'aspirateur lorsque le flotteur a coupé l'aspiration.
- Les étincelles à l'intérieur du moteur risqueraient de mettre feu à des matières inflammables en suspension dans l'air. Ne pas utiliser l'aspirateur à proximité de liquides inflammables ou à des endroits où il y a des gaz ou des vapeurs inflammables, ou de la poussière explosive dans l'air. Les liquides, gaz et vapeurs inflammables comprennent : essence à briquet, produits de nettoyage du type solvant, peinture à base d'huile, essence, alcool et aérosols. Types de poussières explosives : charbon, magnésium, aluminium, céréales et poudre noire.
- N'aspirez pas de poussières explosives, de liquides inflammables ou de cendres chaudes.
- Ne laissez pas de sciure ou de chiffons avec des résidus de teinture ou de polyuréthane à l'intérieur de l'aspirateur. Videz le tambour après avoir ramassé ces matériaux potentiellement autochauffants.

⚠ AVERTISSEMENT : pour réduire le risque de choc électrique ou de blessure :

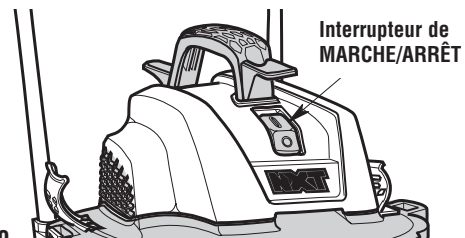
- N'exposez pas à la pluie, et ne laissez pas de liquides pénétrer dans le compartiment du moteur. Rangez à l'intérieur.
- Ne touchez pas la fiche de branchement, l'interrupteur ou l'aspirateur si vous avez les mains mouillées.
- Débrancher l'aspirateur avant d'effectuer une quelconque opération de maintenance. Si votre aspirateur ne fonctionne pas comme il devrait, s'il manque des pièces, s'il est tombé par terre ou a été endommagé, s'il a été laissé à l'extérieur ou s'il est tombé dans de l'eau, rappez-le à un centre de service après-vente agréé ou téléphonez au service à la clientèle.
- Lorsque vous utilisez un cordon de rallonge, n'utilisez qu'un cordon prévu pour emploi à l'extérieur et en bon état. Ne laissez pas la connexion entrer en contact avec des liquides.

⚠ MISE EN GARDE : pour réduire le risque de dommages auditifs, portez des protège-oreilles lorsque vous utilisez l'aspirateur/souffleur pendant une période prolongée ou dans une zone bruyante.

Fiche polarisée

Pour réduire le risque de choc électrique, cet appareil est muni d'une fiche polarisée (une lame est plus large que l'autre). Cette fiche n'est compatible avec une prise polarisée que dans un seul sens. Inverser la fiche si elle n'entre pas complètement dans la prise. Si elle n'entre toujours pas, prendre contact avec un électricien qualifié pour installer une prise de courant appropriée. Ne pas altérer la fiche de quelque manière que ce soit.

Avec le cordon d'alimentation branché, mettez l'aspirateur en marche en appuyant sur le « I » (en haut) sur l'interrupteur d'alimentation. Pour l'arrêter, appuyez sur le « O » (en bas) sur l'interrupteur d'alimentation. Les deux symboles internationaux qui figurent sur l'interrupteur indiquent, respectivement, la position de marche et la position d'arrêt de votre aspirateur.



FUNCTIONNEMENT

Aspiration de matériaux secs

1. Le filtre doit toujours être dans la position correcte afin d'éviter les fuites et l'endommagement possible de l'aspirateur.
2. Lors de l'aspiration de poussière fine, nettoyez le tambour et le filtre plus souvent que d'habitude afin de continuer à bénéficier de la performance maximale de l'aspirateur.

REMARQUE : n'utilisez pas de filtre mouillé pour ramasser des matériaux secs. Le filtre se bouchera rapidement et sera difficile à nettoyer.

3. Si le filtre est mouillé, vous devez le laisser sécher complètement ou le remplacer par un filtre sec avant d'utiliser l'aspirateur pour ramasser des matériaux secs.

Aspiration de liquides

1. L'aspiration de petites quantités de liquide (moins de 5 cm (2 po) dans le tambour à poussière) ne nécessite pas la dépose du filtre.
2. Lorsque de plus grandes quantités de liquide doivent être ramassées, retirez le filtre, mais pas la cage du filtre ou le flotteur, afin d'empêcher le filtre de se saturer de liquide. Si le filtre devient saturé, de la « buée » risquera de sortir par l'orifice de soufflerie.
3. Lorsque le tambour est « plein », le flotteur s'élève et coupe la circulation d'air. Le bruit du moteur deviendra plus aigu en raison de la vitesse accrue du moteur indiquant que le tambour est « plein ». Arrêtez l'aspirateur, débranchez le cordon d'alimentation et videz le tambour.

AVERTISSEMENT :

ne faites pas fonctionner sans la cage du filtre et le flotteur étant donné qu'ils empêchent l'entrée de liquide dans la roue et protègent ainsi le moteur contre les dommages pouvant en résulter.

4. Après l'utilisation de l'aspirateur pour le ramassage de matériaux humides, laissez le filtre sécher complètement pour éviter des moisissures et ne pas endommager le filtre.

IMPORTANT : pour réduire le risque d'endommager l'aspirateur, il ne faut pas faire fonctionner le moteur pendant que le flotteur est en position élevée.

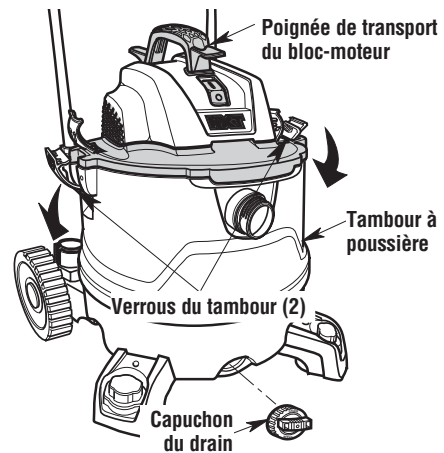
Vidage du tambour à poussière

AVERTISSEMENT :

pour réduire le risque de blessure pouvant être causée par une mise en marche accidentelle, débranchez le cordon d'alimentation avant de vider le tambour.

1. Débranchez le cordon d'alimentation de la prise.
2. L'aspirateur est fourni avec un drain pour permettre de vider facilement les liquides. Positionnez l'aspirateur à proximité d'un réceptacle ou d'un système de drainage approprié, puis retirez le capuchon du drain.
3. Déposez l'ensemble de bloc-moteur en tirant vers l'extérieur en haut des deux verrous.
4. Soulevez l'ensemble de bloc-moteur du tambour à poussière et mettez-le de côté.
5. Utilisez les poignées du tambour à poussière, qui sont situées en bas du tambour à poussière pour soulever et vider dans un récipient approprié pour la mise au rebut.

REMARQUE : ne transportez pas l'aspirateur par la poignée de transport du bloc-moteur lorsque l'aspirateur est plein.



AVERTISSEMENT :

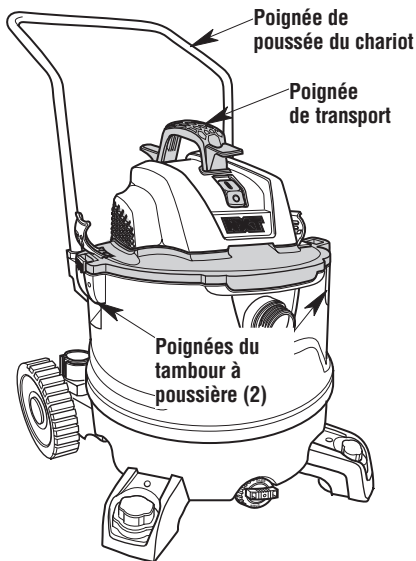
Pour réduire le risque de chute ou de blessure au dos il ne faut pas soulever un aspirateur plein de liquide ou de débris. Ramasser ou drainer suffisamment du contenu hors de l'aspirateur afin de rendre l'aspirateur assez léger pour le soulever confortablement.

FONCTIONNEMENT

Transport de l'aspirateur de liquides et de poussières

S'il devient nécessaire de soulever l'aspirateur pour le déplacer, les poignées de chaque côté du tambour à poussière ou de la poignée de transport du bloc-moteur doivent être utilisées pour le levage.

Pour manœuvrer l'aspirateur, il faut utiliser la poignée de poussée du chariot à l'arrière de l'aspirateur.



Fonction de soufflante

Votre aspirateur comporte un orifice de soufflerie. Il peut souffler de la sciure de bois et autres débris. Suivre la procédure indiquée ci-dessous pour utiliser l'aspirateur comme une soufflerie.

1. Repérez l'orifice de soufflerie situé à l'arrière du bloc-moteur de l'aspirateur de liquides et de poussières.
2. Alignez le bouton d'éjection du tuyau flexible à verrouillage professionnel sur la crête de l'orifice de la soufflante. Appuyez tout droit sur l'extrémité du tuyau flexible pour le faire pénétrer dans l'orifice de la soufflante jusqu'à ce que le bouton d'éjection du tuyau flexible s'engage complètement sous la crête de l'orifice de la soufflante.
3. (En option) Attacher la baguette de rallonge à l'extrémité pivotante du tuyau. Voir la section de ce mode d'emploi consacrée aux accessoires verrouillables pour des instructions sur la connexion des accessoires verrouillables.
4. Mettre l'aspirateur en marche – l'aspirateur peut désormais être utilisé comme soufflerie.

⚠ AVERTISSEMENT :

il faut toujours porter des lunettes de protection conformes à la norme ANSI Z87.1 (ou, au Canada, CSA Z94.3) avant de se servir de l'aspirateur comme une soufflerie.

⚠ AVERTISSEMENT :

pour ne pas risquer de causer des blessures à d'autres personnes, il est recommandé de leur demander de rester à distance suffisante des débris soufflés.

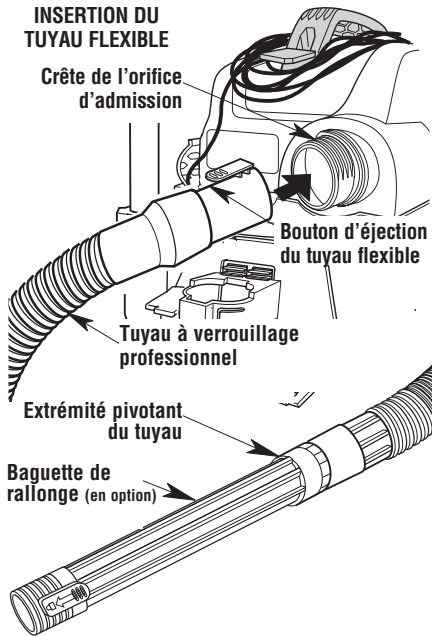
⚠ MISE EN GARDE :

portez un masque anti-poussière si votre soufflage crée de la poussière qui pourrait être aspirée.

⚠ MISE EN GARDE :

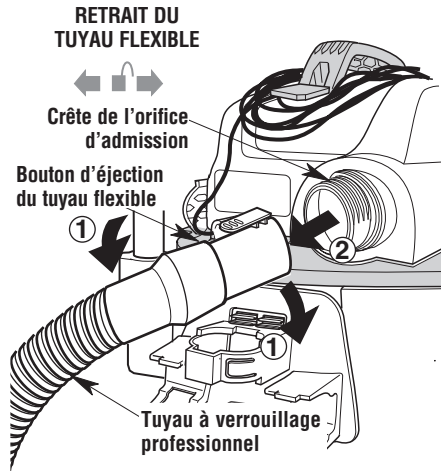
Pour réduire le risque d'endommagement de l'ouïe, portez des protecteurs d'oreilles quand vous utilisez l'aspirateur/la souffleuse pendant de longues périodes ou quand vous l'utilisez dans un environnement bruyant.

FONCTIONNEMENT



Retrait du tuyau flexible :

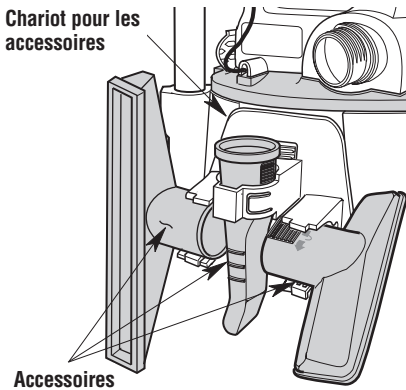
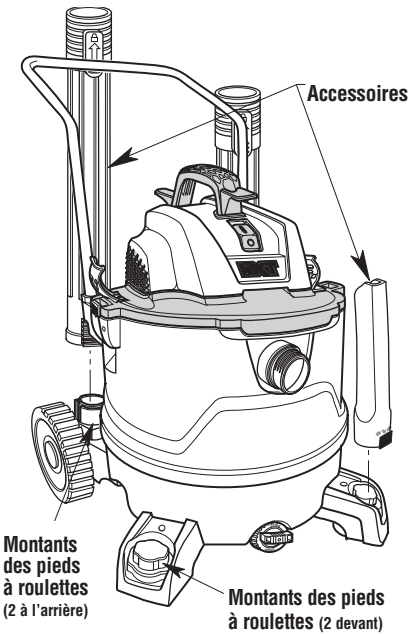
1. Faites tourner l'extrémité du tuyau flexible dans un sens ou dans l'autre pour le dégager de la crête de l'orifice de la soufflante.
2. Appuyez sur le bouton d'éjection du tuyau flexible et tirez tout droit sur l'extrémité du tuyau flexible pour le faire sortir de l'orifice de la soufflante.



RANGEMENT DES ACCESSOIRES ET DU TUYAU FLEXIBLE

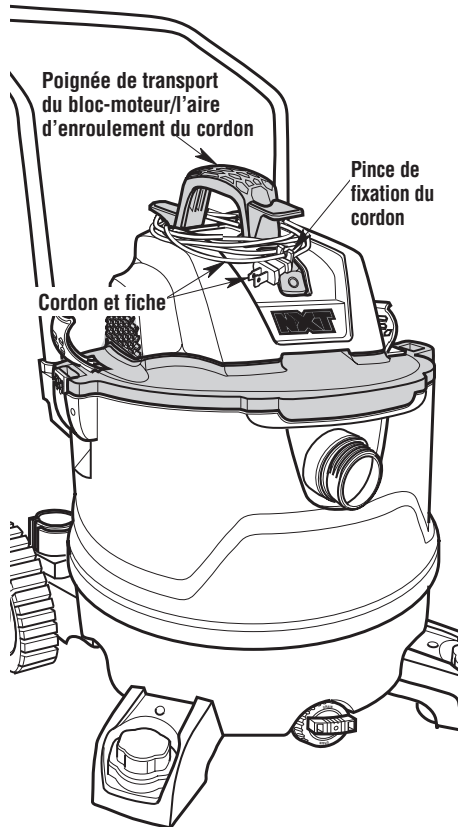
Rangement des accessoires

1. Les tubes de rallonge et d'autres accessoires peuvent être rangés en les plaçant au-dessus des montants des deux pieds à roulettes.
2. Pour retirer, faites tourner le tube de rallonge ou l'accessoire, et tirez dessus.
3. Placez les autres accessoires sur le chariot pour les accessoires et sécurisez-les.



Rangement du cordon d'alimentation

Pour ranger le cordon, enroulez-le autour de la poignée de transport du bloc-moteur / de l'aire d'enroulement du cordon en dessous des deux languettes. Sécurisez le cordon au moyen de la pince à cordon sur la fiche.



RANGEMENT DES ACCESSOIRES ET DU TUYAU FLEXIBLE

Rangement du tuyau flexible

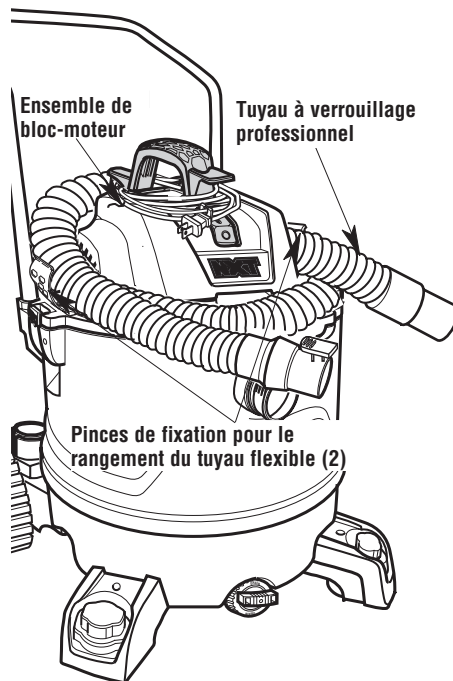
Le tuyau à verrouillage professionnel peut être rangé autour de l'ensemble de bloc-moteur en l'enfonçant entre le boîtier du moteur et les pinces du tuyau flexible.

▲ MISE EN GARDE :

n'utilisez pas l'aspirateur pendant que le tuyau flexible est toujours enroulé autour de l'ensemble de bloc-moteur dans la position de rangement.

▲ AVERTISSEMENT :

ne mettez aucun objet dans les orifices de ventilation. N'aspirez pas quand de quelconques orifices de ventilation sont obstrués; assurez-vous que ces orifices ne sont pas bloqués par de la poussière, de la peluche, des cheveux ou de quelconques objets pouvant réduire la circulation de l'air.



ENTRETIEN

Filtre

AVERTISSEMENT :

pour réduire le risque de blessure pouvant être causée par une mise en marche accidentelle, débranchez le cordon d'alimentation avant de changer le filtre ou de le nettoyer.

REMARQUE : le filtre est fait de papier de qualité élevée conçu pour intercepter les très petites particules de poussière. Le filtre peut être utilisé pour l'aspiration de déchets secs ou de petites quantités de liquide. Manipuler le filtre avec précaution lors de son nettoyage ou de son installation. Les plis du filtre peuvent être froissés pendant l'installation, mais cela n'aura aucune influence sur la performance du filtre.

Retrait et installation du filtre Qwik Lock™

Retrait du filtre :

1. Placez les doigts sous les deux languettes du filtre.
2. Tout en appuyant avec un pouce sur le goujon Qwik Lock™ qui dépasse par centre de la plaque de filtre, soulevez les languettes jusqu'à ce que le filtre se libère.
3. Faites glisser le filtre hors de sa cage.

IMPORTANT : pour éviter d'endommager la roue de soufflerie et le moteur, réinstallez toujours le filtre avant d'utiliser l'aspirateur pour le ramassage de matériaux secs.

Installation du filtre :

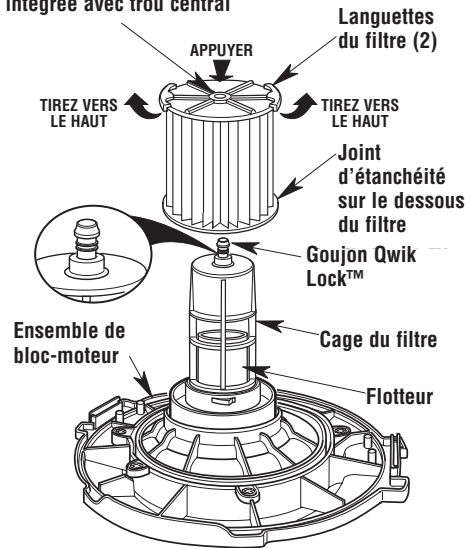
1. Faites glisser le filtre Qwik Lock™ par-dessus la cage tout en alignant le goujon Qwik Lock™ de la cage de filtre avec l'orifice central de la plaque de filtre intégré Qwik Lock™.
2. Assurez-vous que le joint en caoutchouc au bas du filtre Qwik Lock™ se met en place autour de la base de la cage du filtre.
3. Appuyez fermement sur la plaque de filtre intégré Qwik Lock™ autour du goujon Qwik Lock™ jusqu'à ce qu'elle s'enclenche en place.

REMARQUE : si vous n'installez pas correctement le joint inférieur et la plaque de filtre intégrée sur la cage du filtre, des débris pourraient contourner le filtre.

AVERTISSEMENT :

ne faites pas fonctionner sans la cage du filtre et le flotteur étant donné qu'ils empêchent l'entrée de liquide dans la roue et protègent ainsi le moteur contre les dommages pouvant en résulter.

Plaque de filtre intégrée avec trou central



Il faut nettoyer souvent le filtre pour ne pas affecter la performance optimale de l'aspirateur.

ENTRETIEN

Nettoyage d'un filtre sec

1. Le retrait de certains débris secs peut être accompli sans enlever le filtre de l'aspirateur. Donner un coup avec la main sur la partie supérieure du couvercle pendant que l'aspirateur est à l'arrêt.
2. Pour obtenir les meilleurs résultats lors du nettoyage après l'accumulation de poussière, nettoyer le filtre dans un endroit non clos. Le nettoyage DOIT être effectué à l'extérieur – pas dans des locaux d'habitation.
3. Après avoir retiré le filtre de l'aspirateur, retirer les débris secs, en tapotant doucement le filtre contre la paroi intérieure du tambour à poussière. Les débris se détacheront et tomberont.
4. Pour effectuer un nettoyage complet du filtre sec lorsqu'il est couvert de particules très fines (pas de débris), faire couler de l'eau à travers le filtre comme indiqué sous la rubrique « Nettoyage d'un filtre humide ».

Nettoyage d'un filtre humide

Une fois le filtre retiré, faites couler de l'eau au travers du filtre à l'aide d'un tuyau d'arrosage ou d'un robinet. Veillez à ce que la pression de l'eau sortant du tuyau d'arrosage ne soit pas si forte qu'elle pourrait endommager le filtre.

IMPORTANT : inspecter le filtre après le nettoyage pour s'assurer qu'il n'est pas déchiré ou troué. Ne pas utiliser un filtre déchiré ou troué. Même un petit trou peut permettre à beaucoup de poussière de sortir de l'aspirateur. Remplacer le filtre immédiatement dans ce cas.

Laissez le filtre sécher avant de le réinstaller et de ranger l'aspirateur ou de ramasser des débris secs.

⚠ AVERTISSEMENT : pour assurer la **SÉCURITÉ** et la **FIABILITÉ** des produits, toutes les autres opérations d'entretien, de réparation et de réglage doivent être effectuées par des centres de service après-vente agréés, en utilisant toujours des pièces de rechange RIDGID.

NOTES

NOTES

PIÈCES DE RECHANGE

Aspirateur de liquides et de poussières sur chariot de 14 gallons des É-U (53 litres)

Numéro de modèle RT14000


Caractéristiques électriques nominales :
120 V 10,5 A 60 Hz

Les pièces RIDGID sont disponibles sur notre site Web à l'adresse
suivante : store.ridgid.com/provac

Pour commander, utiliser toujours le numéro de pièce – pas le numéro de légende

AVERTISSEMENT

RÉPARATION DE L'ASPIRATEUR DE LIQUIDES ET DE POUSSIÈRES DOUBLEMENT ISOLÉ

Dans un aspirateur de liquides et de poussières doublement isolé, deux systèmes d'isolation sont fournis au lieu de la mise à la terre. Aucun moyen de mise à la terre n'est prévu sur un appareil électro-ménager doublement isolé, et il ne faut pas en ajouter. La réparation d'un aspirateur de liquides et de poussières doublement isolé nécessite une connaissance approfondie du système et la prise de précautions extrêmes. Une telle réparation ne doit être entreprise que par un technicien agréé. Les pièces de rechange pour un aspirateur de liquides et de poussières doublement isolé doivent être les mêmes que les pièces qu'elles remplacent. Les mots « DOUBLE INSULATED » (Doublement isolé) figurent sur l'aspirateur de liquides et de poussières doublement isolé, et le symbole  (un carré à l'intérieur d'un autre carré) peut également figurer sur les appareils.

Pour réduire le risque de blessures causées par les chocs électriques, débranchez le cordon d'alimentation

 **AVERTISSEMENT** : pour réduire le risque de blessures causées par les chocs électriques, débranchez le cordon d'alimentation avant de réparer les éléments électriques de l'aspirateur de liquides et de poussières.

 **AVERTISSEMENT** : toutes les opérations de démontage et de réparation doivent être effectuées par des techniciens compétents.

Ce produit est accompagné d'une politique de satisfaction de 90 jours
ainsi que d'une garantie à vie limitée.

Pour plus d'information sur la garantie et la politique, rendez-vous à
RIDGID.com/VacWarranty ou appelez le 1-800-4-RIDGID.



EMERSON
www.RIDGID.com

© 2019 Emerson

Pièce N° SP7080

Formulaire N° SP7080-1

Imprimé au Mexique 04/19

This manual was downloaded from

wet-dry-vac.com

The most comprehensive source of information about wet/dry shop vacuums on the Internet!

Wet-dry-vac.com allows you to learn about how to purchase a wet/dry vac, compare and review detailed specifications on hundreds of models, and find compatible filters.

You can also view manuals, parts lists and brochures for hundreds of models. Plus, you can find the best prices for vacuums and filters, and purchase online right from the site.

