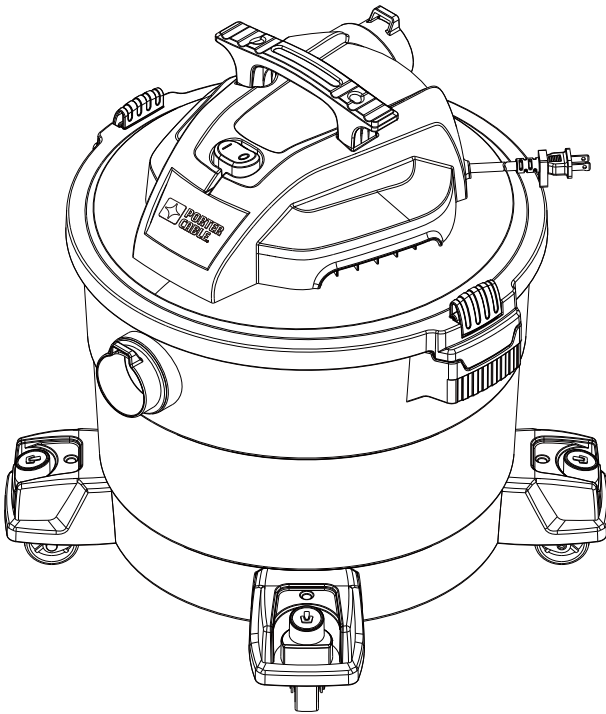


PORTER CABLE®

10 Gal/ 38 LITERS WET/DRY VACUUM OWNER'S MANUAL



3 3 YEAR LIMITED WARRANTY

If you have any problems with this product or questions under this warranty, contact us at 1-888-899-0146. Monday-Friday, 8:00am - 5:00pm Central Time. Assistance is available in English and Spanish.
Alton Industry Ltd.Group; 1031 North Raddant Rd
Batavia, Illinois 60510; 1-888-899-0146

**IMPORTANT:RETAIN FOR FUTURE REFERENCE!
READ THIS OWNER'S MANUAL BEFORE USING!**

www.portercable.com

Thank you for choosing PORTER-CABLE! To register your new product, go to:
www.portercable.com/ServiceAndSupport/ProductRegistration.aspx

ASSEMBLY AND CARE & USE INSTRUCTIONS



Intertek

TABLE OF CONTENTS

Specifications.....2

Package Contents3

Safety Information.....4

Operating Instructions.....6

Care and Maintenance.....9

Troubleshooting.....10

Expanded View and Parts List.....11

Warranty.....12

PRODUCT SPECIFICATIONS

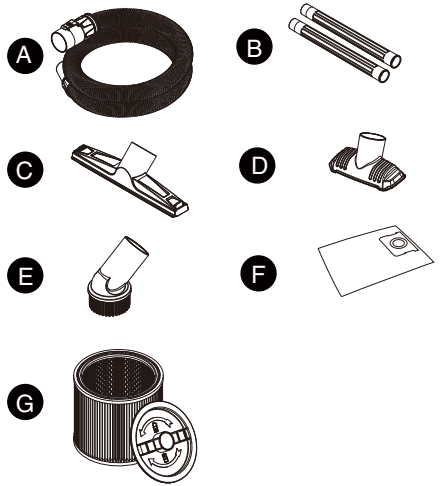
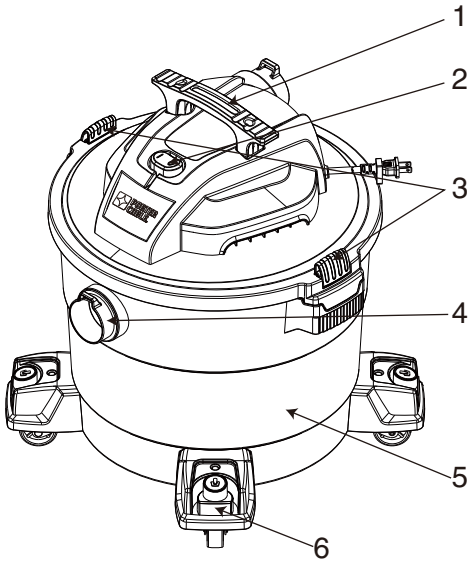
| | |
|---------------|---------------------------------|
| Model | PCX18604P-10A |
| Power | 120 V / 60 Hz / 10 A |
| Motor | Single Stage |
| Tank Capacity | 10 Gallon |
| Hose | 8 ft x 1-7/8 in / 2.4 m x 48 mm |
| Power cord | SJTW18AWG 10 ft. / 3 m Length |

▲ WARNING:

Use only extension cords that are rated for outdoor use. Extension cords in poor condition or that are too small in wire size can pose fire and shock hazards. To reduce the risk of these hazards when using an extension cord, be sure it is in good condition and that the connection does not come into contact with liquid. To keep power loss to a minimum, use the following table to choose the minimum wire size extension cord.

| Extension Cord Length | Gauge A.W.G. |
|---------------------------|--------------|
| 0 - 15.2 m / 0 - 50 ft. | 14 |
| 0 - 30.5 m / 50 - 100 ft. | 12 |

PACKAGE CONTENTS



| Part | Description | Part No. | Qty |
|------|---------------------------|----------|-----|
| A | 1-7/8" Hose | 19-1108 | 1 |
| B | Extension wand | 19-1200 | 2 |
| C | Floor brush | 19-1900D | 1 |
| D | Utility nozzle | 19-1300 | 1 |
| E | Round brush | 19-2400 | 1 |
| F | Disposable dust bag (Dry) | 19-3101N | 1 |
| G | Cartridge filter (Dry) | 08-2566B | 1 |

| Cleaner Description | |
|---------------------|-----------------|
| Item | Description |
| 1 | Handle |
| 2 | Power Switch |
| 3 | Two Lid Latches |
| 4 | Vacuum Port |
| 5 | Dust Tank |
| 6 | Caster |

SAFETY INFORMATION

IMPORTANT SAFETY INSTRUCTIONS & GROUNDING INSTRUCTIONS

When using an electrical appliance, basic precautions should be always followed, including the following: **READ ALL INSTRUCTIONS BEFORE USING THIS APPLIANCE.**

▲ DANGER!

Never operate this unit when flammable materials or vapors are present because electrical devices produce arcs or sparks that can cause a fire or explosion.

▲ ATTENTION!

Read all safety rules carefully before attempting to operate. Retain for future reference.

▲ WARNING!

To reduce the risk of fire, electric shock, or injury:


1. Do not leave appliance when plugged in or when in operation. Unplug from outlet when not in use and before performing any service on it.
2. Do not expose to rain. Store indoors.
3. Always disconnect the plug from the wall outlet before removing the tank cover.
4. Do not allow to be used as a toy. Close attention is necessary when used by or near children.
5. Do not use with damaged cord or plug. If appliance is not working as it should, has been dropped, damaged, left outdoors or dropped into water, contact service center for assistance.
6. Do not pull or carry by cord, use cord as a handle, close a door on cord or pull cord around sharp edges or corners. Do not run appliance over cord. Keep cord away from heated surfaces.
7. Do not unplug by pulling on cord. To unplug, grasp the plug, not the cord.
8. Do not handle plug or appliance with wet hands.
9. Do not put any object into openings. Do not use with any openings blocked; keep the openings free of dust, lint, hair and anything that may reduce airflow.
10. Keep hair, loose clothing, fingers and all parts of body away from openings and moving parts.
11. Do not pick up anything that is burning or smoking, such as cigarettes, matches or hot ashes.
12. Do not use without dust bag and/or filters in place.
13. Turn off all controls before unplugging.
14. Use extra care when cleaning on stairs.
15. Do not use to pick up flammable or combustible liquids such as gasoline or use in areas where they may be present.
16. Do not use the cleaner as a sprayer of flammable liquids such as oil-based paint, lacquers, etc.
17. Do not vacuum toxic, carcinogenic, combustible or other hazardous materials such as asbestos, arsenic, barium, beryllium, lead, pesticides or other health endangering materials.
18. Do not pick up soot, cement, plaster or drywall dust without filter and dust bag in place. These are very fine particles that may affect the performance of the motor or be exhausted back into the air. Additional dust bag is available.

19. Do not leave the cord lying on the floor once have finished the cleaning job. It can become a tripping hazard.
20. Use special care when emptying heavily loaded tanks.
21. To avoid spontaneous combustion, empty tank after each use.
22. The operation of a utility vacuum can result in foreign objects being blown into eyes, which can result in eye damage. Always wear safety goggles when operating vacuum.
23. STAY ALERT. Watch what you are doing and use common sense. Do not use vacuum cleaner when you are tired, distracted or under the influence of drugs, alcohol or medication causing diminished control.
24. This appliance is provided with double insulation. Use only identical replacement parts. See instructions for servicing double insulated appliances.
25. Unplug appliance before connecting the hose, nozzles, filters, or other accessories.

NOTICE: Use only as described in this manual. Use only manufacturer's recommended attachments.

▲WARNING!

SERVICING OF A DOUBLE-INSULATED WET/DRY VACUUM

In a double-insulated Wet/Dry Vacuum, two systems of insulation are provided instead of grounding. This means that no grounding is provided on a double-insulated appliance, nor should a means for grounding be added. Servicing a double-insulated Wet/Dry Vacuum requires extreme care and knowledge of the system and should be done only by qualified service personnel. Replacement parts for a double-insulated Wet/Dry Vacuum must be identical to the parts they replace. The double-insulated Wet/Dry Vacuum is marked with the words "DOUBLE INSULATED" and the symbol  (square within a square) may also be marked on the appliance.

To reduce the risk of injury from electrical shock, unplug power cord before servicing the electrical parts of the Wet/Dry Vac.

▲WARNING!

If the supply cord is damaged, it must be replaced by the manufacturer or its service agent or a similarly qualified person in order to avoid a hazard.

▲WARNING!

Remove the plug from the socket before performing maintenance. Before using the machine make sure that the frequency and voltage shown on the rating plate correspond with the mains voltage. Specifications and details are subject to change without prior notice. The accessories shown in the pictures may vary from model to model.

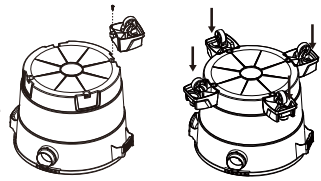
▲WARNING!

This product can expose you to chemicals including lead, which is known to the State of California to cause cancer, birth defects or other reproductive harm. For more information go to www.P65Warnings.ca.gov.

OPERATING INSTRUCTIONS

UNPACKING & SET-UP SUMMARY

1. Pull lid latches in an outward motion, remove power head and some accessories that may have been shipped in the tank.
2. Attach caster following the instructions as below:
 - a. Invert dust tank, take the caster to align the tank bottom sinking place. Secure with screws provided.
 - b. Return dust tank assembly upright.
3. Before replacing power head, refer to this manual to ensure you have the proper filters installed for the cleaning operation.
4. Replace power head, and apply pressure with thumb to each latch until it snaps tightly in place. Make sure all lid latches are clamped securely.
5. Insert the hose end into inlet of tank.
6. Attach the extension wands to the end of the hose. Apply slight pressure until fitting is tight.
7. Attach one of the cleaning accessories (depending on the cleaning requirements) on the extension wands. Twist slightly to tighten the connection.
8. Plug the cord into the wall outlet. The cleaner is ready for use.
9. Turn the unit "ON" by pushing the switch from position "O" to position "I". The "O" is the "OFF" position and the "I" is the "ON" position.



O = OFF I = ON

▲WARNING!

To reduce the risk of fire or explosion, do not operate this vacuum in areas with flammable gases, vapors or explosive dust in the air. Flammable gases or vapors include but are not limited to: lighter fluid, solvent-type cleaners, oil-based paints, gasoline, alcohol or aerosol sprays. Explosive dusts include but are not limited to: coal, magnesium, aluminum, and grain or gun powder. Do not vacuum explosive dust, flammable or combustible liquids or hot ashes. Do not use this vacuum as a sprayer for any flammable or combustible liquid. To reduce the risk of health hazards from vapors or dusts, do not vacuum toxic materials.

▲WARNING!

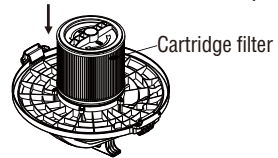
The operation of any utility vacuum can result in foreign objects being blown into the eyes, which can result in severe eye damage. Always wear safety eyewear complying with ANSI Z87.1 (or in Canada, CSA Z94.3) before starting operation.

▲CAUTION:

To reduce risk of hearing damage, wear ear protectors when using the vacuum for extended hours or when using it in a noisy area.

DRY PICK-UP

1. The filter must always be in correct position to reduce the risk of leaks and possible damage to vac. Make sure that the filter is completely covering the filter cage. Make sure there are no gaps between the filter and the lid. (See illustration). It is very important to assemble the filter to the cage without allowing any possible leaks or tears. Any leaks will allow the picked up debris to be blown out of the blowing port and back into the surrounding environment.
2. When using the vacuum to pick up very fine dust, it will be necessary to empty the dust tank and clean or replace the filter at more frequent intervals to maintain peak vacuum performance.

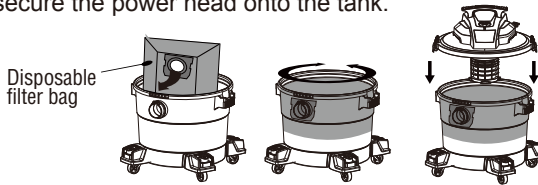


▲ NOTICE

A dry filter is necessary to pick up dry material. If you use the vacuum to pick up dust when the filter is wet, the filter will clog quickly and be very difficult to clean. If the filter gets wet, replace it before continuing to do dry pickups.

INSTALLING DISPOSABLE FILTER BAG

1. Slide the cardboard collar opening firmly onto the vacuum port deflector until it stops against the deflector wall.
2. Position the bag so that it is distributed around the inside of the tank.
3. Replace and secure the power head onto the tank.

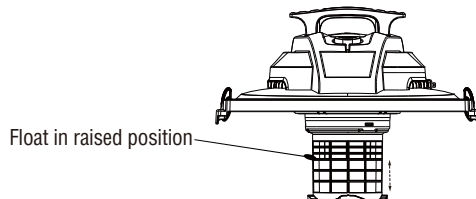
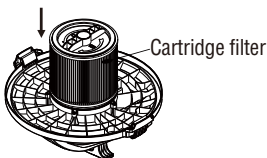


WET PICK-UP

1. Remove disposable and reusable filter and replace it with foam filter when you do wet pickups.
2. This wet/dry vac is equipped with a float mechanism which will rise automatically to cut off the airflow when the liquid in the tank reaches a predetermined level. When this happens, turn off vac, unplug the power cord, and empty the dust tank. You will know that the float has shut the airflow off because the suction ceases and the motor noise becomes higher in pitch due to increased motor speed. The liquid capacity may vary with the rate of pickup.

▲ NOTICE

To reduce the risk of damage to the vacuum, do not run motor with float in raised position.

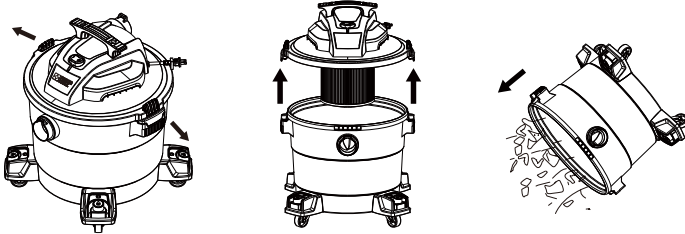


EMPTYING THE TANK

▲WARNING!

To reduce the risk of injury from accidental starting, unplug power cord before emptying the dust tank.

1. Remove the power head assembly of the wet/dry vacuum by pulling outward on the lid clips located on each side of the vacuum. Lift off the power head assembly.
2. Dump the tank contents into the proper waste disposal container.



BLOWING OPERATION

▲WARNING!

Always wear safety eyewear complying with ANSI Z87.1 (or in Canada CSA Z94.3) when using as a blower.

▲WARNING!

To avoid injury to bystanders, keep them clear of blowing debris.

▲CAUTION

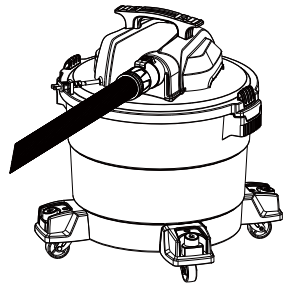
Wear a dust mask if blowing creates dust which might be inhaled.

▲CAUTION

To reduce the risk of hearing damage, wear ear protection when using the vac/blower for extended hours or in confined space.

The vacuum contains a blowing feature. Follow the steps below to use the vacuum as a blower.

1. Locate blowing port on the vacuum.
2. Insert one end of the 8 ft x 1-7/8 in / 2.4 m x 48 mm hose into the blower port.
3. Turn the vacuum "ON".



CARE AND MAINTENANCE

FILTER REPLACEMENT

▲WARNING!

To reduce the risk of injury from accidental starting, unplug power cord before changing or cleaning filter. The filter should be cleaned often to maintain peak Vacuum performance.

▲WARNING!

Do not remove filter cage and float. The float prevents water from entering the impeller and damaging the motor. The cage prevents fingers from touching the moving impeller.

▲NOTICE

To avoid damage to the blower wheel and motor, always reinstall the reusable filter before using the vacuum for dry pickups and always reinstall the foam filter before using the vacuum for wet pickups.

▲NOTICE

After cleaning, check the filter for tears or small holes. Do not use a filter with holes or tears in it. Even a small hole can cause dust to come out of the vacuum. Replace it immediately.

▲NOTICE

Before installing the filter on the vacuum, clean the area of the lid so that the clamp ring will seal the bag against the lid and stop small particles from bypassing the filter bag. If the filter is clean and not damaged, replace it on the filter cage. If it cannot be reused, place a new filter over the filter cage.

▲NOTICE

Clean the filter in an open area.

CLEANING

To keep the wet/dry vacuum looking its best, clean the outside with a cloth dampened with warm water and mild soap.

To clean the tank:

1. Dump out debris.
2. Wash tank thoroughly with warm water and mild soap.
3. Wipe out with dry cloth.

STORAGE

Before storing the vacuum, the dust tank should be emptied and cleaned. The cord should be wrapped and hung on the unit and the accessories should be kept in the accessory holder so they can be readily available. The vacuum should be stored indoors.

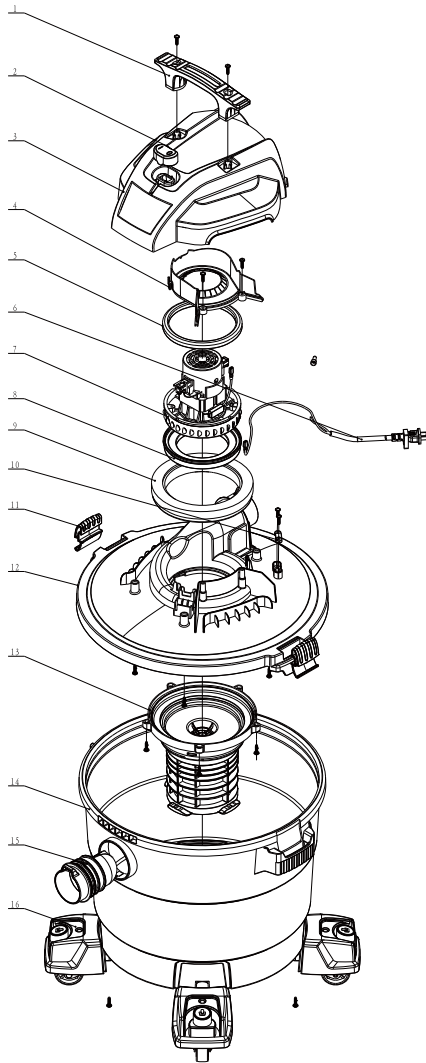
TROUBLESHOOTING

▲WARNING!

Minor problems often can be fixed without calling customer service.

| PROBLEM | POSSIBLE CAUSE | CORRECTIVE ACTION |
|---------------------------------|--|---|
| Vacuum will not run | No electricity | Make sure electrical outlet has voltage (A qualified electrician may need to be contacted) |
| Loss of suction, wet pick-up | 1. Full tank 2. Clogged hose 3. Clogged filter | 1. Drain and clean tank 2. Remove hose and clean debris 3. Clean or replace filter |
| Loss of suction, dry pick-up | 1. Full tank 2. Clogged hose 3. Clogged filter | 1. Drain and clean tank 2. Remove hose and clean debris 3. Clean or replace filter |

EXPANDED VIEW / PARTS LIST



| PART | DESCRIPTION | QTY |
|------|----------------------------|-----|
| 1 | Handle | 1 |
| 2 | ON/OFF Switch | 1 |
| 3 | Top Cover | 1 |
| 4 | Thermal Baffle | 1 |
| 5 | Air Duct Seal | 1 |
| 6 | Power Cord | 1 |
| 7 | Motor | 1 |
| 8 | Motor Support Sealing Ring | 1 |

| PART | DESCRIPTION | QTY |
|------|-----------------|-----|
| 9 | Air Duct Sponge | 1 |
| 10 | Cord Clamp | 1 |
| 11 | Lid Latches | 2 |
| 12 | Lower Lid | 1 |
| 13 | Filter Cage | 1 |
| 14 | Dust Tank | 1 |
| 15 | Vacuum Port | 1 |
| 16 | Caster | 4 |

WARRANTY

Alton Industry Ltd. Group **3 Years Limited Warranty**

This warranty covers any defects in materials or workmanship of the enclosed product. Alton Industry Ltd. Group will repair or replace any defective materials due to craftsmanship of the product. This warranty does not cover any problem caused by misuse, abuse, accidents or acts of God, such as floods or hurricanes. Consequential and incidental damages are not covered under this warranty. Coverage terminates if you sell or otherwise transfer the ownership. If you feel you have a defective product, please submit a copy of your receipt to the address below and call 1-888-899-0146 for instructions prior returning this item to the store or sending back to:

Alton Industry Ltd. Group
1031 North Raddant Rd
Batavia, Illinois 60510

We will inspect the product and contact you within 72 hours to give you the results of our inspection. We reserve the right to repair or replace the product at our discretion.

However, we may replace the product with one of similar but not exact features.

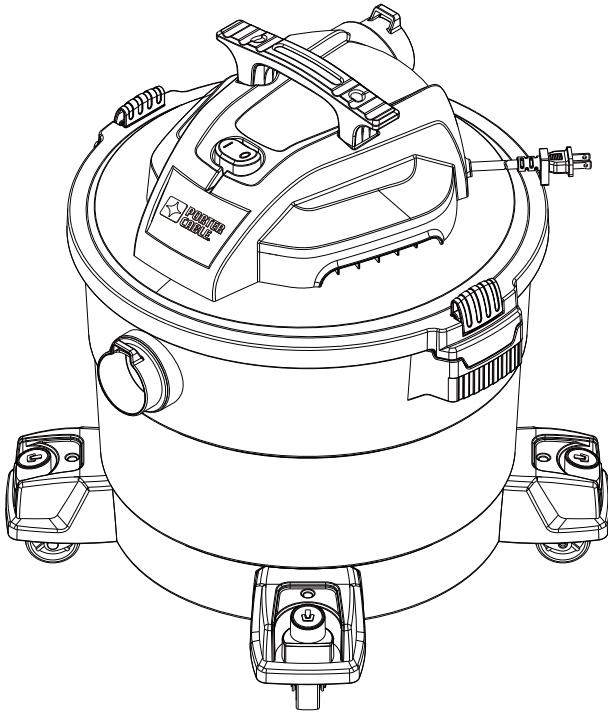
Parts and Service Information available call Alton Industry at 1-888-899-0146.

Monday-Friday, 8:00am - 5:00pm Central Time. Assistance is available in English and Spanish.

This warranty gives you specific legal rights. You may have other rights which vary from state to state.

PORTER CABLE®

**38 LITROS / 10 GALONES
ASPIRADORA HÚMEDA/SECA
MANUAL DEL PROPIETARIO**



3

3 AÑOS DE GARANTÍA LIMITADA

Si tiene algún problema con este producto o preguntas bajo esta garantía, póngase en contacto con nosotros en el 1-888-899-0146. De lunes a viernes, de 8:00 am - 5:00 pm, hora del centro. La asistencia está disponible en inglés y español.

Alton Industry Ltd.Group; 1031 North RaddantRd
Batavia, Illinois 60510; 1-888-899-0146

**IMPORTANTES: CONSERVAR PARA FUTURAS REFERENCIAS!
LEA TODAS LAS INSTRUCCIONES ANTES DE USAR SU
ASPIRADORA**

www.portercable.com

Gracias por elegir PORTER-CABLE! Para registrar su nuevo producto, acceda a:
www.portercable.com/ServiceAndSupport/ProductRegistration.aspx

**INSTRUCCIONES DE
MONTAJE E
INSTALACIÓN Y DE
USO Y CUIDADO**



TABLE OF CONTENTS

| | |
|--|----|
| Especificaciones..... | 14 |
| Contenido del paquete..... | 15 |
| Información de seguridad..... | 16 |
| Instrucciones de funcionamiento..... | 18 |
| Cuidado y mantenimiento..... | 21 |
| Solución de problemas..... | 22 |
| Vista detallada y lista de piezas..... | 23 |
| Garantía..... | 24 |

ESPECIFICACIONES DEL PRODUCTO

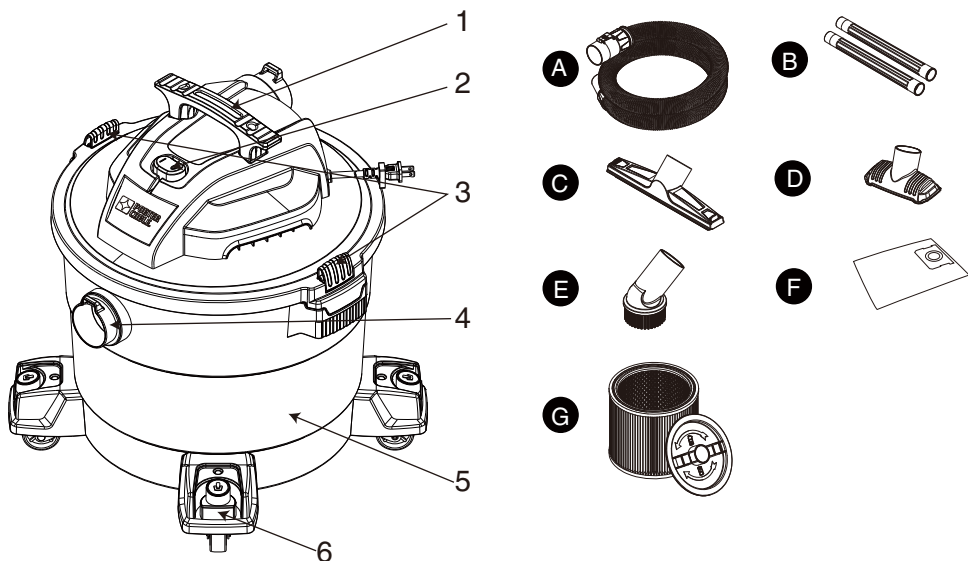
| | |
|-----------------------|---------------------------------|
| modelo | PCX18604P-10A |
| Potencia | 120 V / 60 Hz / 10 A |
| Motor | De una sola fase |
| Capacidad del tanque | 10 Galón / 38 litros |
| Manguera | 8 ft x 1-7/8 in / 2,4 m x 48 mm |
| Cable de alimentación | SJTW18AWG 10 ft. / 3 m largo |

▲ADVERTENCIA:

Use solo extensiones eléctricas calificadas para uso en exteriores. Las extensiones eléctricas en malas condiciones o de tamaño muy pequeño pueden constituir peligro de incendios y descargas eléctricas. Para reducir el riesgo de estos peligros al usar una extensión eléctrica, asegúrese de que esta esté en buenas condiciones y de que la conexión no entre en contacto con líquidos. Para mantener la pérdida de energía al mínimo, use la siguiente tabla para escoger el tamaño de cable mínimo de la extensión eléctrica.

| | |
|---------------------------------|----------------|
| Largo de la extensión eléctrica | Calibre A.W.G. |
| 0 - 15,2 m / 0 - 50 ft. | 14 |
| 0 - 30,5 m / 50 - 100 ft. | 12 |

CONTENIDO DEL PAQUETE



| Artículo | Descripción | Nº de pieza | Cantidad |
|----------|----------------------------|-------------|----------|
| A | 1-7/8" Tubo | 19-1108 | 1 |
| B | Tubo extensión | 19-1200 | 2 |
| C | Cepillo de piso | 19-1900D | 1 |
| D | Pico esquinero | 19-1300 | 1 |
| E | Cepillo redondo | 19-2400 | 1 |
| F | Filtro de bolsa desechable | 19-3101N | 1 |
| G | Filtro de cartucho | 08-2566B | 1 |

| Limpiador Descripción | |
|-----------------------|--------------------|
| Artículo | Descripción |
| 1 | Manejar |
| 2 | Interruptor |
| 3 | Dos tapa pestillo |
| 4 | De vacío de puerto |
| 5 | Depósito de polvo |
| 6 | Castor |

INFORMACIÓN DE SEGURIDAD

INSTRUCCIONES IMPORTANTES DE SEGURIDAD E INSTRUCCIONES DE PUESTA A TIERRA

Cuando use electrodomésticos, siempre debe tomar las medidas de precaución básicas, incluidas las siguientes: LEA TODAS LAS INSTRUCCIONES ANTES DE USAR ESTE ELECTRODOMÉSTICO.

▲ ¡PELIGRO!

Nunca opere esta unidad si hay materiales o vapores inflamables presentes, ya que los dispositivos eléctricos producen arcos o chispas que pueden producir un incendio o una explosión.

▲ ¡ATENCIÓN!

Lea atentamente todas las reglas de seguridad antes de intentar operar la aspiradora. Guarde estas instrucciones para referencia futura.

▲ ¡ADVERTENCIA!

Para reducir el riesgo de incendio, descargas eléctricas o lesiones:


1. No deje el electrodoméstico cuando esté enchufado o en funcionamiento. Desconéctelo del tomacorriente cuando no esté en uso y antes de realizar cualquier servicio en él.
2. No lo exponga a la lluvia. Guárdelo en interiores.
3. Siempre desconecte el enchufe del tomacorriente antes de retirar la cubierta del tanque.
4. No permita que se use como un juguete. Es necesaria una estricta supervisión cuando los niños utilicen la aspiradora o estén cerca de ella.
5. No la utilice si el enchufe o el cable están dañados. Si el electrodoméstico no está funcionando bien, sufrió caídas, se dañó, se dejó en el exterior o cayó en el agua, póngase en contacto con un centro de servicios para obtener ayuda.
6. No jale la aspiradora ni la transporte del cable, no use el cable como manija, no cierre puertas sobre el cable ni jale del cable alrededor de esquinas o bordes filosos. No pase el electrodoméstico por sobre el cable. Mantenga el cable alejado de superficies calientes.
7. No jale del cable para desenchufarlo. Para desenchufarlo, tome el enchufe, no el cable.
8. No manipule el enchufe ni el electrodoméstico con las manos mojadas.
9. No coloque ningún objeto en las aberturas. No la use con ninguna abertura bloqueada. Mantenga libre de polvo, pelusas, cabellos o cualquier objeto que pueda reducir el flujo de aire.
10. Mantenga el cabello, las ropas holgadas, los dedos y todas las partes del cuerpo lejos de aberturas y piezas en movimiento.
11. No aspire objetos encendidos o humeantes, tales como cigarrillos, fósforos o cenizas calientes.
12. No la utilice si la bolsa para polvo o el filtro no están en su lugar.
13. Apague todos los controles antes de desenchufar.
14. Tenga sumo cuidado cuando limpie sobre escaleras.
15. No la use para aspirar líquidos inflamables o combustibles como gasolina, ni la use en áreas en que estos estén presentes.
16. No use su aspiradora como rociador de líquidos inflamables como pinturas a base de aceite, lacas, etc.
17. No aspire materiales tóxicos, cancerígenos, combustible u otros materiales peligrosos como asbesto, arsénico, bario, plomo, pesticidas u otros que constituyan riesgo para la salud.

18. No recoja hollín, cemento, yeso o polvo de panel de yeso sin el filtro y la bolsa para polvo en su lugar. Estas son partículas muy finas que afectan el funcionamiento del motor o pueden devolverse al aire. Hay bolsas para polvo adicionales disponibles.
19. No deje el cable en el piso una vez terminado el trabajo de limpieza. Se puede transformar en un peligro de tropiezo.
20. Tenga especial cuidado al vaciar tanques con cargas pesadas.
21. Para evitar la combustión espontánea, vacíe el tanque antes de cada uso.
22. El funcionamiento una aspiradora para uso general soplar objetos extraños a los ojos del operador y, de esta manera, causar graves daños oculares. Siempre use gafas de seguridad al usar una aspiradora.
23. **MANTÉNGASE ALERTA.** Presta atención a lo que hace y utilice el sentido común. No use la aspiradora si está cansado, distraído o bajo la influencia de alcohol, drogas o medicamentos que causen una disminución del control.
24. Este electrodoméstico se proporciona con doble aislamiento. Utilice solo piezas de repuesto idénticas a las de fabricación. Consulte las instrucciones para dar mantenimiento a electrodomésticos con doble aislamiento.
25. Desenchufe antes de conectar la manguera, boquilla y similares.

AVISO: Utilícelo solo como se describe en este manual. Use solo los accesorios recomendados por el fabricante.

▲ ¡ADVERTENCIA!

MANTENIMIENTO DE UNA ASPIRADORA PARA SECO Y MOJADO CON DOBLE AISLAMIENTO

En una aspiradora para seco y mojado con doble aislamiento cuentan con dos sistemas de aislamiento en lugar de una conexión a tierra. Los electrodomésticos con doble aislamiento no cuentan con un medio de puesta a tierra ni se le debe agregar uno. El mantenimiento de una aspiradora para seco y mojado con doble aislamiento requiere extremo cuidado y amplios conocimientos del sistema, por lo que solo debe estar a cargo de personal de mantenimiento calificado. Las piezas de repuesto para una aspiradora para seco y mojado con doble aislamiento deben ser idénticas a las piezas que reemplazan. Su aspiradora para seco y mojado con doble aislamiento está marcada con las palabras "DOBLE AISLAMIENTO" y el símbolo  (cuadrado dentro de otro cuadrado) puede estar marcado sobre el electrodoméstico.

Para reducir el riesgo de lesiones provocadas por descargas eléctricas, desenchufe el electrodoméstico antes de realizar el mantenimiento a las piezas eléctricas de la con aspiradora para seco y mojado.

▲ ¡ADVERTENCIA!

Si el cable de alimentación está dañado, este debe ser reemplazado por el fabricante, su empresa de servicio o una persona con calificación similar para evitar peligros.

▲ ¡ADVERTENCIA!

Desconecte el enchufe del tomacorriente antes de realizar mantenimiento. Antes de usar la máquina, asegúrese de que la frecuencia y el voltaje indicado en la placa de calificaciones corresponda con el voltaje. Las especificaciones y los detalles están sujetos a cambio sin previo aviso. Los accesorios que se muestran en las imágenes pueden variar de un modelo a otro.

MEDIDAS DE SEGURIDAD IMPORTANTES

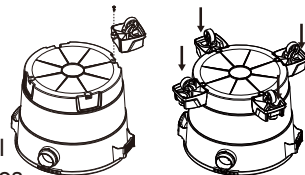
⚠ ¡ADVERTENCIA!

Este producto puede exponerlo a sustancias químicas, incluido el plomo, que el estado de California considera que causan cáncer, defectos de nacimiento u otros daños reproductivos. Para obtener más información, vaya a www.P65Warnings.ca.gov.

INSTRUCCIONES DE FUNCIONAMIENTO

DESEMBALAJE Y CONFIGURACIÓN

1. Libere la traba de la tapa con un movimiento hacia el exterior, retire la tapa y algunos accesorios que podrían expedirse en el tanque.
2. Coloque la rueda siguiendo las instrucciones que se indican a continuación:
 - a. Invertir depósito de polvo, gire a la izquierda el carro para alinear el fondo del tanque con el lugar que se hundirá para asegurarse con los tornillos suministrados.
 - b. Volver conjunto de depósito de polvo en posición vertical.
3. Antes de colocar la tapa con el motor, consulte este manual para asegurarse de que tiene los filtros apropiados instalados para la limpieza.
4. Coloque la tapa con el motor y presione con el pulgar en cada traba hasta que cierre firmemente en su lugar. Asegúrese de que todas las trabas sujetan firmemente la tapa.
5. Inserte el extremo de la manguera flexible en la entrada del tanque.
6. Conecte las extensiones al extremo de la manguera. Appliquez une légère pression jusqu'à ce montage est serré.
7. Conecte uno de los accesorios para limpieza (según sus necesidades de limpieza) en el extremo libre de la extensión.
8. Conecte el cable eléctrico en el tomacorriente de pared. Su aspiradora está lista para usarse.
9. Después de enchufar el cable de alimentación en el tomacorriente de pared, coloque la unidad en la posición de "ENCENDIDO" presionando el interruptor desde la posición "O" a la posición "I". La marca "O" es la posición de "APAGADO" y la "I" es la posición de "ENCENDIDO".



O = APAGADO I = ENCENDIDO



⚠ ADVERTENCIA:

inflamables o polvo explosivo en el aire. Los gases o vapores inflamables incluyen, entre otros: Líquidos de encendedores, limpiadores tipo solvente, pinturas a base de aceite, gasolina, alcohol y rociadores en aerosol. Los polvos explosivos incluyen, entre otros: Carbón, magnesio, aluminio y pólvora o pólvora cilíndrica. No aspire polvos explosivos, líquidos inflamables o combustibles ni cenizas calientes. No use esta aspiradora como rociador de líquidos inflamables o combustibles. Para reducir el riesgo de peligros para la salud debido a vapores o polvo, no aspire materiales tóxicos.

▲ ADVERTENCIA:

El funcionamiento de cualquier aspiradora para uso general puede soplar objetos extraños a los ojos del operador y, de esta manera, causar graves daños oculares. Siempre use gafas de seguridad que cumplan con ANSI Z87.1 (o con CSA Z94.3 en Canadá) antes de comenzar la operación.

▲ PRECAUCIÓN:

Para reducir el riesgo de daños auditivos, use protectores para los oídos cuando use la aspiradora por varias horas o en un entorno bullicioso.

ASPIRADO EN SECO

1. El filtro debe estar siempre en la posición correcta para reducir el riesgo de fugas y posibles daños a la aspiradora. Asegúrese de que el filtro esté cubriendo completamente la caja del filtro y que el aro de la abrazadera esté lo más cerca posible de la tapa. Asegúrese de que no haya espacios entre el filtro y la tapa. (Consulte la ilustración). Es muy importante ensamblar el filtro a la caja sin dejar ninguna fuga o gotera. Cualquier fuga permitirá que la suciedad aspirada sea soplada hacia fuera del puerto de soplado y de vuelta en el aire.
2. Cuando use su aspiradora para aspirar polvo fino, será necesario vaciar el tanque para polvo y limpiar o reemplazar el filtro en intervalos más frecuentes para mantener el máximo rendimiento de la aspiradora.

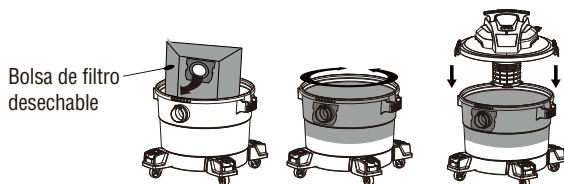


▲ AVISO

Se necesita un filtro seco para recoger el material seco. Si usa la aspiradora para aspirar polvo cuando el filtro está mojado, este se obstruirá rápidamente y la limpieza será muy difícil. Si el filtro se moja, reemplácelo antes de continuar aspirando.

INSTALACIÓN DE LA BOLSA DE FILTRO DESECHABLE

1. Deslice la abertura del collar de cartón firmemente sobre el deflector del puerto de aspiración, hasta que se detenga contra la pared del deflector.
2. Coloque la bolsa de modo que se distribuya en todo el interior del tanque.
3. Vuelva a colocar y asegurar el cabezal en el tanque.



ASPIRADO EN MOJADO

1. Retire el filtro reutilizable y reemplácelo por un filtro de espuma cuando aspire en mojado.
2. Esta aspiradora para seco/mojado está equipada con un mecanismo de flotador que se eleva automáticamente para cortar el flujo de aire cuando el líquido en el tanque alcanza un nivel predeterminado. Cuando ocurra esto, apague la aspiradora, desenchufe el cable de alimentación y vacíe el tanque para polvo. Sabrá que el flotador ha cerrado el flujo de aire ya que la succión se detiene y el ruido del motor se vuelve más agudo debido a la disminución de la velocidad del motor. La capacidad de líquido puede variar según la cantidad que se aspire.

▲ IMPORTANTE:

Para reducir el riesgo de daños a la aspiradora, no haga funcionar el motor con el flotador en la posición elevada.

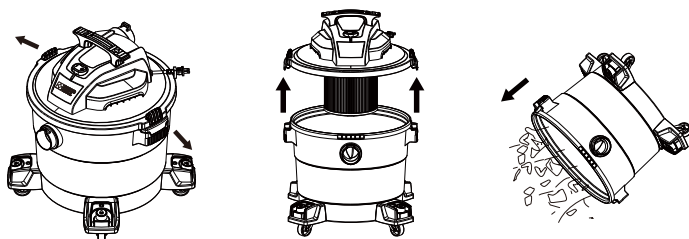


VACIADO DEL TANQUE

▲ ADVERTENCIA:

Para reducir el riesgo de lesiones debido a arranques accidentales, desenchufe el cable de alimentación antes vaciar el tanque para polvo.

1. Retire el ensamblaje del cabezal de alimentación de la aspiradora para seco/mojado jalando hacia fuera los sujetadores de la tapa ubicados a cada lado de la aspiradora. Retire el ensamblaje del cabezal de alimentación.
2. Vacíe el contenido del tanque en el contenedor de residuos adecuado.



FUNCIONAMIENTO DE SOPLADO

▲ ADVERTENCIA:

Siempre use gafas de seguridad que cumplan con ANSI z87.1 (o con CSA Z94.3 en Canadá) al usar el soplador.

▲ ADVERTENCIA:

Para evitar lesiones a los transeúntes, manténgalos alejados de la suciedad soplada.

▲PRECAUCIÓN:

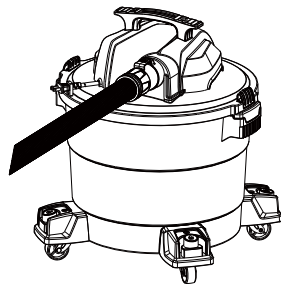
Use una mascarilla antipolvo si el soplado provoca polvo que pueda ser inhalado.

▲PRECAUCIÓN:

Para reducir el riesgo de daños auditivos, use protectores para los oídos cuando use la aspiradora/soplador por varias horas o en un entorno bullicioso.

Su aspiradora cuenta con una característica de soplado. Tiene la capacidad de soplar aserrín y otros residuos. Puede usarse para soplar polvo y suciedad de garajes o de patios y entradas de garaje. Siga los siguientes pasos para usar su aspiradora como soplador.

1. Ubique el puerto de soplado en su aspiradora.
2. Inserte un extremo de la manguera de 8 ft x 1-7/8 in / 2,4 m x 48 mm en el puerto de soplado.
3. Encienda la aspiradora.



CUIDADO Y MANTENIMIENTO

REEMPLAZO DEL FILTRO

▲ADVERTENCIA:

Para reducir el riesgo de lesiones debido a arranques accidentales, desenchufe el cable de alimentación antes de cambiar o limpiar el filtro. Debe limpiar el filtro a menudo para mantener el máximo rendimiento de la aspiradora.

▲ADVERTENCIA:

No retire la caja del filtro ni el flotador. El flotador evita que el agua ingrese al propulsor y que dañe el motor. La caja evita que los dedos toquen el propulsor en movimiento.

▲AVISO:

Para evitar daños en la rueda y el motor del soplador, siempre vuelva a instalar el filtro reutilizable antes de usar la aspiradora para aspirar en seco y siempre vuelva a instalar el filtro de espuma antes de usar la aspiradora para aspirar en mojado.

▲AVISO:

Después de limpiar, revise si el filtro tiene desgarraduras u orificios pequeños. No use la aspiradora si un filtro tiene orificios o desgarraduras. Incluso un pequeño orificio puede causar que salga mucho polvo de su aspiradora. Reemplácelo inmediatamente.

▲AVISO:

Antes de instalar el filtro en la aspiradora, limpie el área de la tapa de manera que el aro de la abrazadera selle la bolsa contra la tapa para detener las pequeñas partículas de traspasen la bolsa del filtro. Si el filtro está limpio y no se ha dañado, vuelva a colocarlo en la caja del filtro. Si no puede reutilizarse, coloque un nuevo filtro en la caja del filtro.

▲AVISO:

Limpie el filtro en un área abierta. La limpieza se debe efectuar en exteriores y no en áreas habitadas.

LIMPIEZA

Para mantener su aspiradora para seco/mojado con una apariencia perfecta, limpie la superficie exterior con un paño humedecido con agua tibia y jabón suave. Para limpiar el tanque:

1. Retire los desechos.
2. Lave el tanque completamente con agua tibia y jabón suave.
3. Limpie con un paño seco.

ALMACENAJE

Antes de almacenar su aspiradora, el tanque para polvo debe vaciarse y limpiarse. El cable debe enrollarse y colgarse en la unidad y los accesorios deben guardarse en el porta accesorios para que estén a la mano. La aspiradora se debe almacenar en interiores.

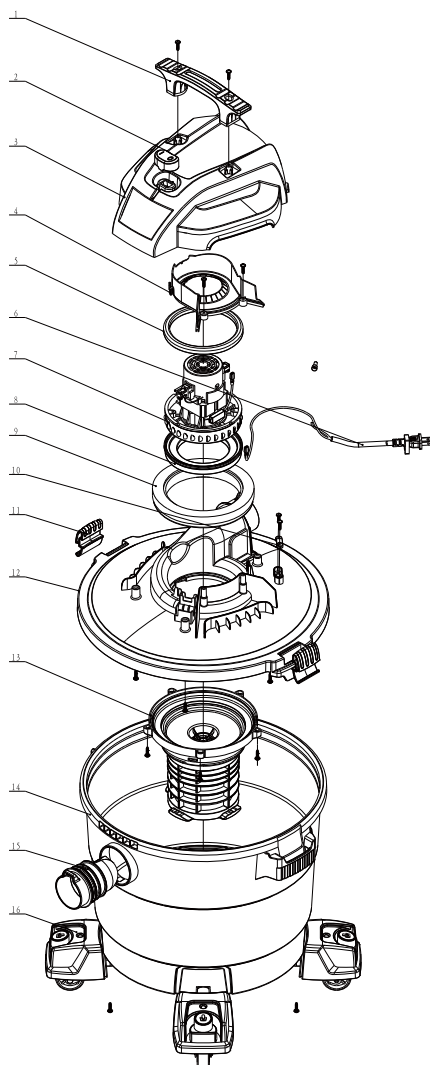
SOLUCIÓN DE PROBLEMAS

⚠ ¡ADVERTENCIA!

Los problemas menores se pueden arreglar generalmente sin llamar al Servicio al Cliente.

| PROBLEMA | CAUSA POSIBLE | ACCIÓN CORRECTIVA |
|---|---|---|
| La aspiradora no funciona | No hay electricidad | Asegúrese de que el tomacorriente tenga voltaje (Puede que deba ponerse en contacto con un electricista calificado) |
| Se pierde la capacidad de succión en mojado | 1. Tanque lleno 2. La manguera está obstruida 3. El filtro está obstruido | 1. Drene y limpie el tanque 2. Retire la manguera y limpie la suciedad 3. Limpie o reemplace el filtro |
| Se pierde la capacidad de succión en seco | 1. Tanque lleno 2. La manguera está obstruida 3. El filtro está obstruido | 1. Drene y limpie el tanque 2. Retire la manguera y limpie la suciedad 3. Limpie o reemplace el filtro |

VISTA DETALLADA / LISTA DE PIEZAS



| Artículo | Descripción | Cantidad |
|----------|---------------------------|----------|
| 1 | Mango de transporte | 1 |
| 2 | Botón Interruptor | 1 |
| 3 | Cubierta superior | 1 |
| 4 | Deflector térmico | 1 |
| 5 | Sello de conducto de aire | 1 |
| 6 | Cable de alimentación | 1 |
| 7 | Motor | 1 |
| 8 | Sello de motor | 1 |

| Artículo | Descripción | Cantidad |
|----------|-----------------------------|----------|
| 9 | Esponja de conducto de aire | 1 |
| 10 | Abrazadera de cable | 1 |
| 11 | Pestillos de la tapa | 2 |
| 12 | Tapa inferior | 1 |
| 13 | Filtro de polvo | 1 |
| 14 | Depósito de polvo | 1 |
| 15 | De vacío del puerto | 1 |
| 16 | Castor | 4 |

GARANTÍA

Alton Industry Ltd. Group

Garantía Limita de 3 año

Esta garantía cubre cualquier defecto en materiales o habilidad del producto incluido. Alton el Grupo de Industrias reparará o sustituirá cualquier material defectuoso debido a la artesanía del producto. Esta garantía no cubre ningún problema causado por el mal uso, el abuso, accidentes o actos del dios, como inundaciones o huracanes. También daños y perjuicios consiguientes y secundarios no son cubiertos conforme a esta garantía. La cobertura se termina si usted vende o de otra manera transfiere la propiedad. Si usted siente que usted tiene un producto defectuoso por favor envíe el producto atrás, el franqueo pagado con una copia de su recibo para dirigirse debajo. Por favor llámese 1-888-899-0146 para instrucciones antes del devolver este artículo a la tienda o el enviar atrás:

Alton Industry Ltd. Group
1031 North Raddant Rd
Batavia, Illinois 60510

Inspeccionaremos el producto y nos pondremos en contacto con usted dentro de 72 horas para darle los resultados de nuestra inspección. Reservamos el derecho de reparar o sustituir el producto en nuestra discreción. Sin embargo, podemos sustituir el producto por uno de similar, pero no rasgos exactos.

Partes y Información de Servicio disponible llamada Alton Industries at 1-888-899-0146.

Esta garantía le da derechos específicos legales, y usted puede tener también otros derechos que varían de estado al estado.

Stanley® and **STANLEY** are trademarks of Stanley Black & Decker, Inc.,
or its affiliates and are used under license by Alton Industry Ltd. Group

Stanley® y de **STANLEY** son marcas comerciales de Stanley Black & Decker, Inc.,
o sus afiliados y son utilizadas bajo licencia por Alton Industry Ltd. Group

Stanley Black & Decker, Inc.,

©2020 The Stanley Black & Decker, Inc.
New Britain, CT 06053 U.S.A
<http://www.stanleyblackanddecker.com>

This manual was downloaded from

wet-dry-vac.com

The most comprehensive source of information about wet/dry shop vacuums on the Internet!

Wet-dry-vac.com allows you to learn about how to purchase a wet/dry vac, compare and review detailed specifications on hundreds of models, and find compatible filters.

You can also view manuals, parts lists and brochures for hundreds of models. Plus, you can find the best prices for vacuums and filters, and purchase online right from the site.

