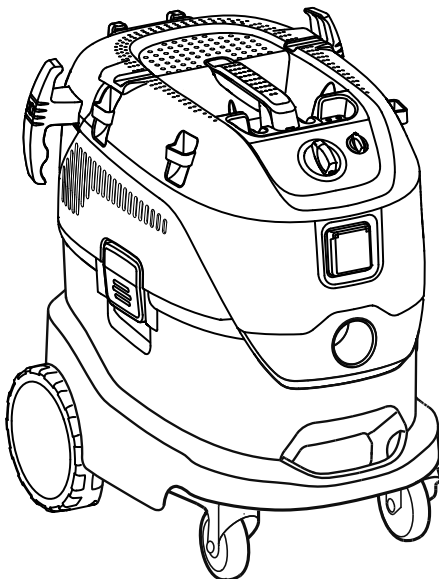




Makita®

VC4210L



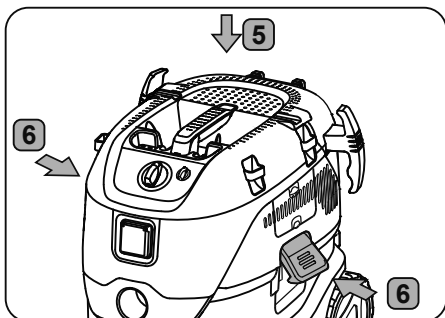
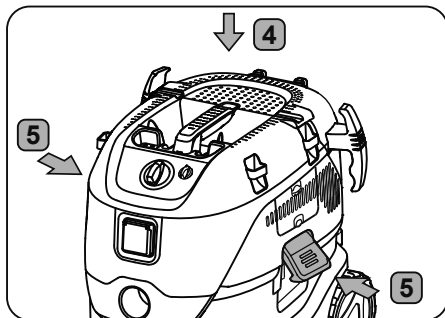
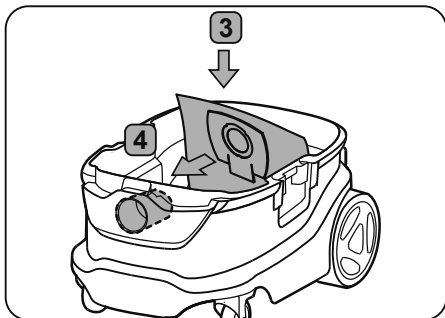
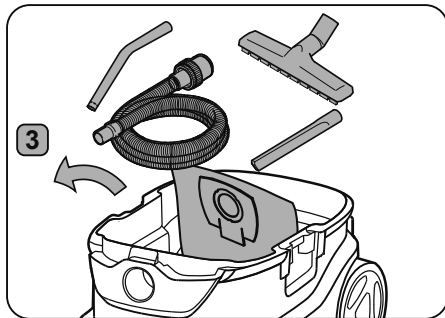
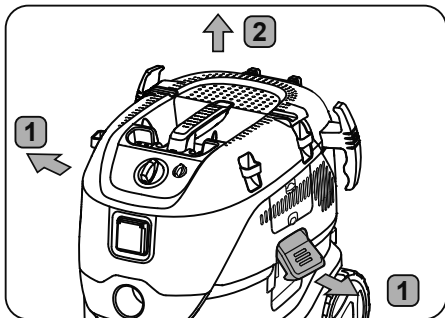
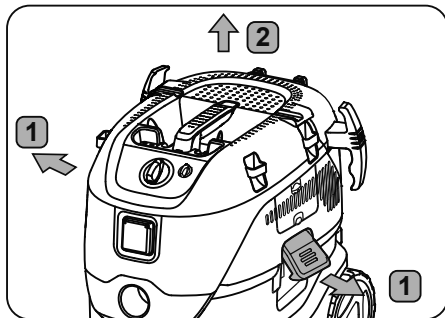
Originalbetriebsanleitung
Original Operating Instructions
Notice d'utilisation d'origine
Oorspronkelijke Gebruiksaanwijzing
Istruzioni originali
Original driftsinstruks
Bruksanvisning i original
Original brugsanvisning
Alkuperäiset ohjeet
Manual original
Instruções de operação original
Πρωτότυπο οδηγιών χρήσης
Orijinal talimatlar
Izvirna navodila
Izvorni upute

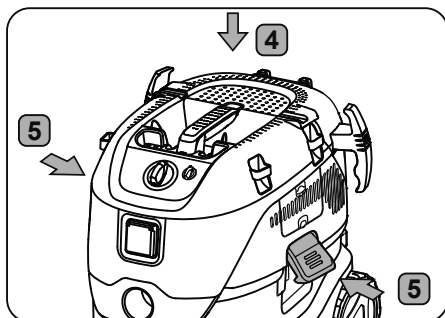
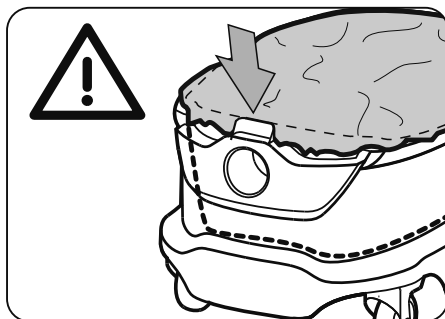
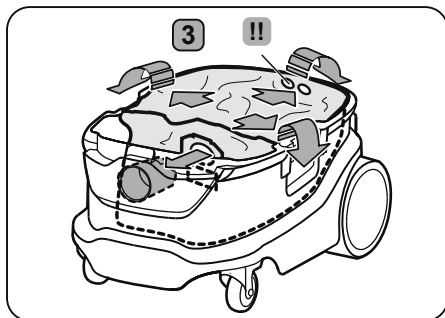
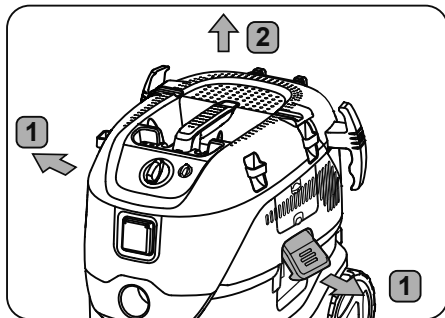
Pôvodný návod na použitie
Původní návod k používání
Instrukcja oryginalna
Eredeti használati utasítás
Original instrucțiuni
Оригинална инструкция
Оригинальные инструкции
Algupärane kasutusjuhend
Instrukcijas oriģinālvalodā
Originali instrukcija
Udhëzimet origjinale
Оригинално упатство за употреба
Првобитна упутства
Оригинальні інструкції

A1)

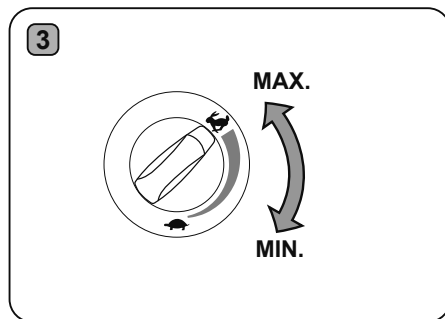
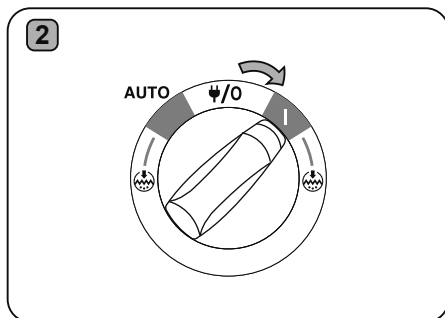
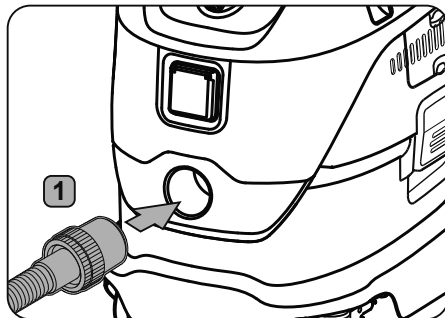


A2)

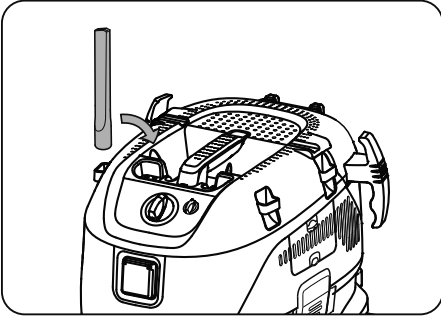


A3¹⁾

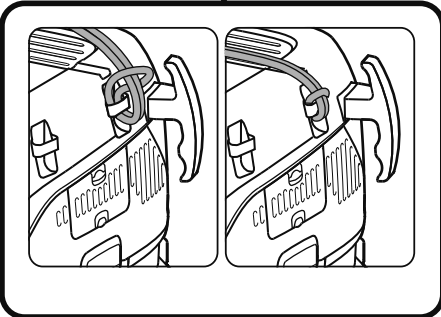
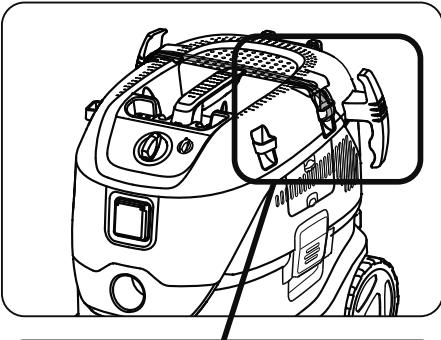
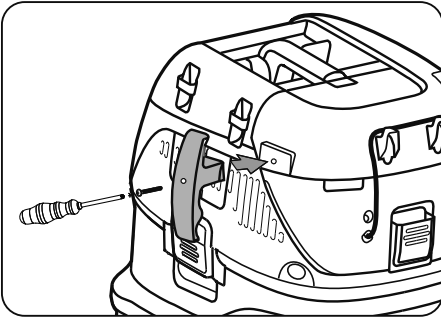
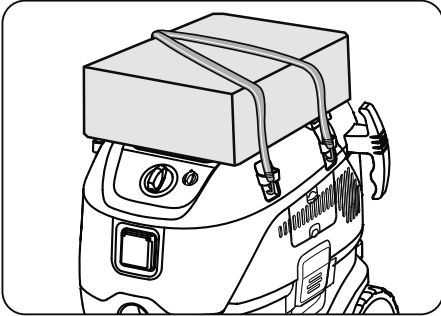
A4



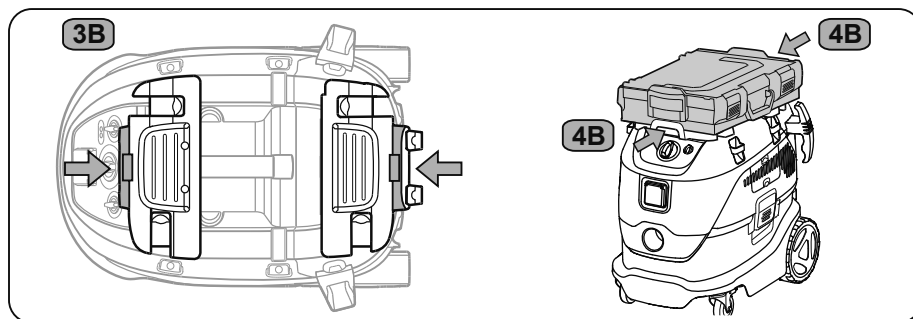
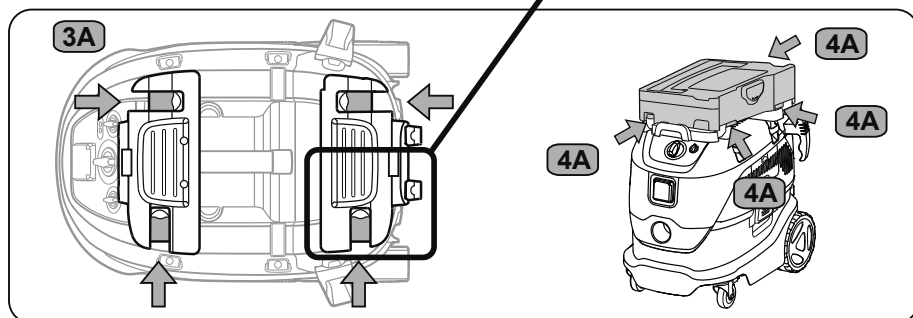
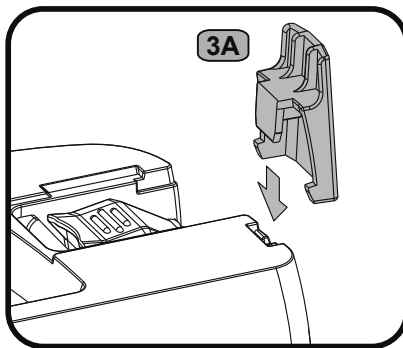
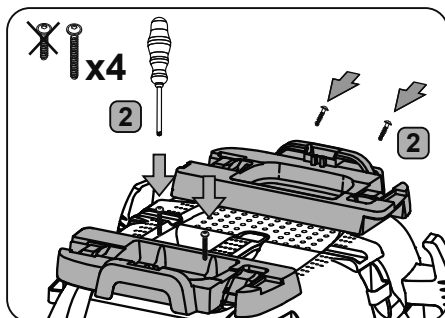
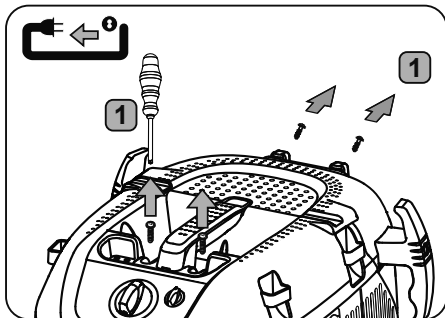
A5'



A5'



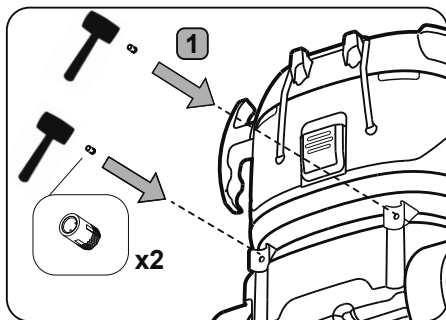
A6¹⁾



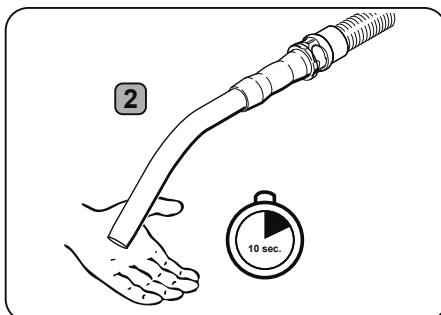
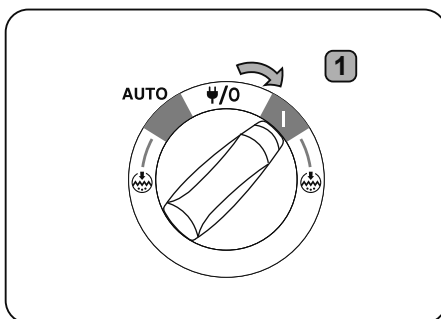
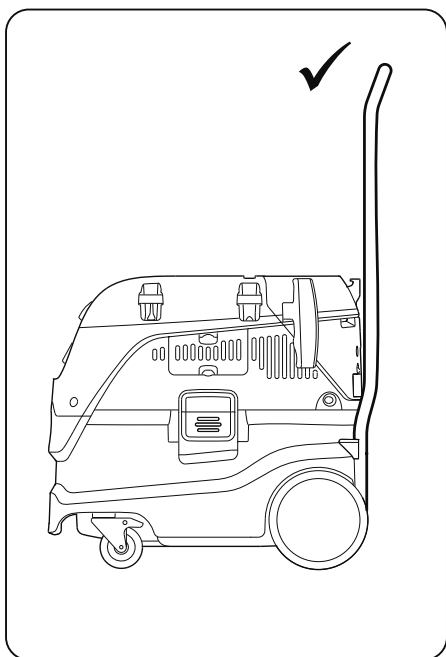
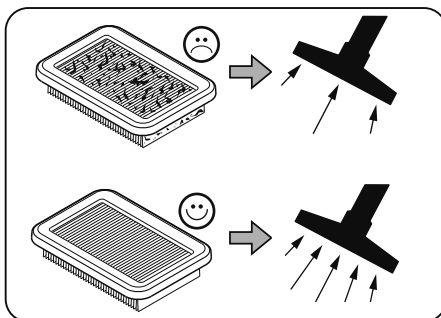
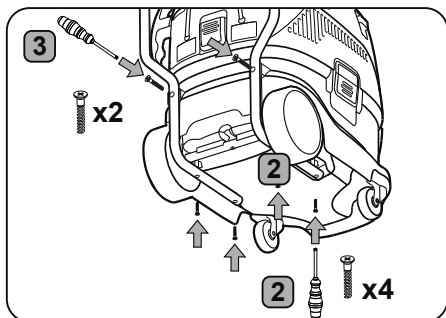
A7)



B1)



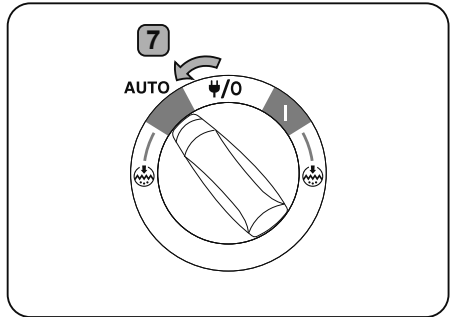
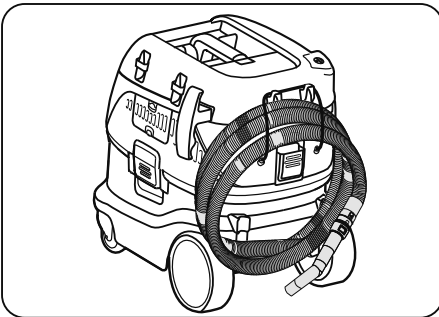
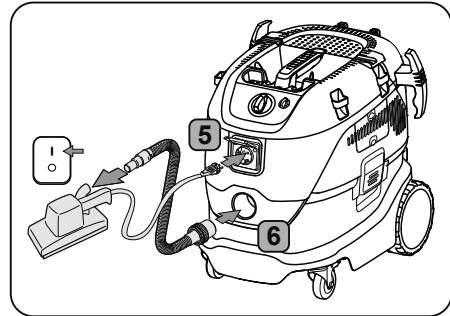
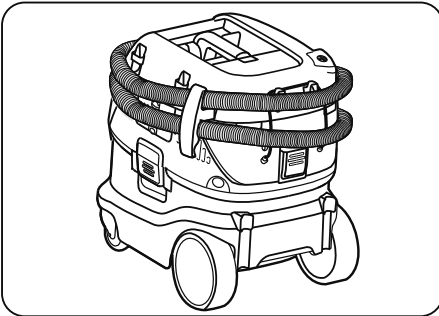
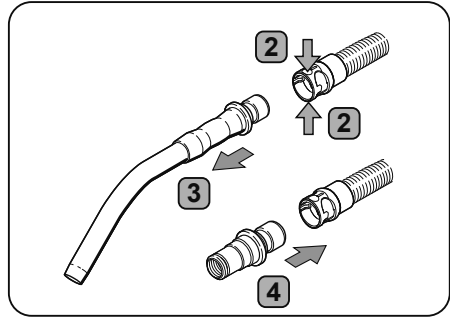
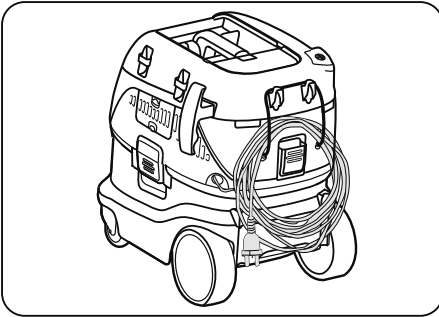
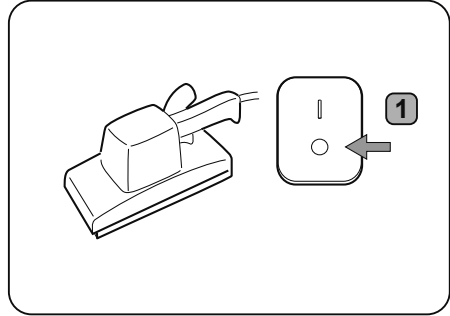
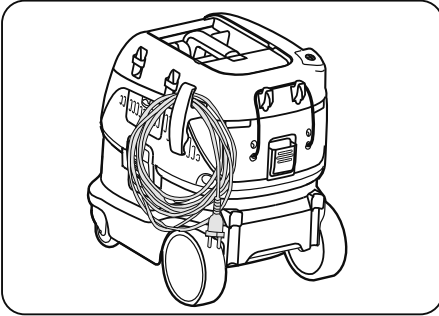
AutoClean



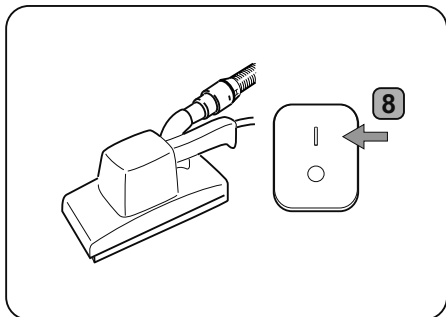
B2



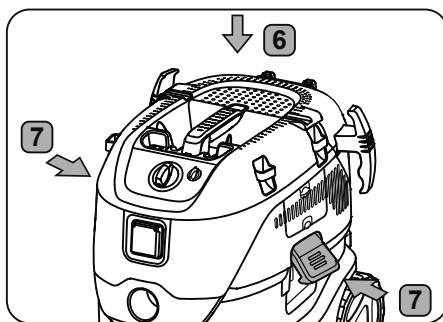
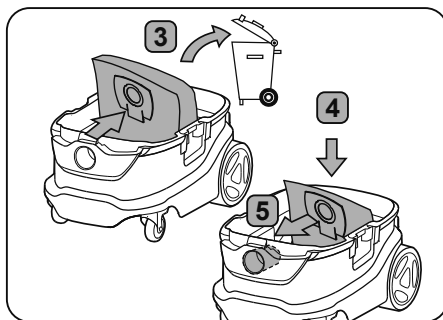
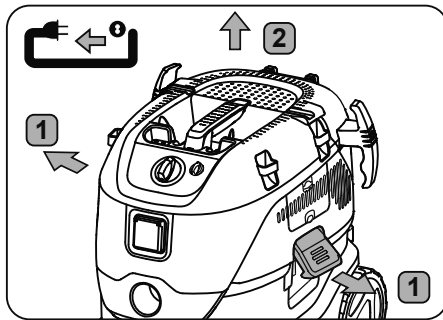
C1



C1



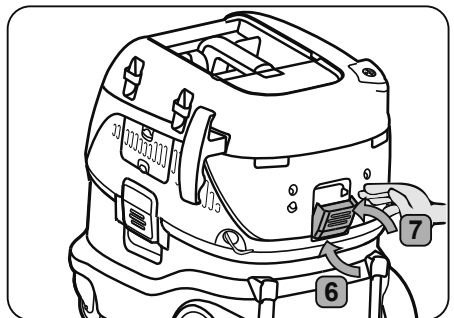
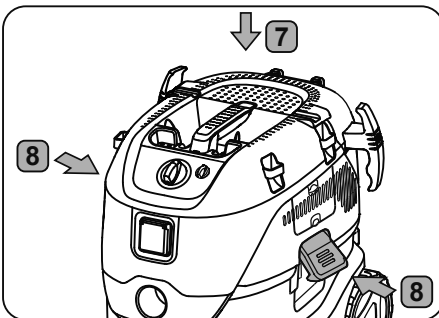
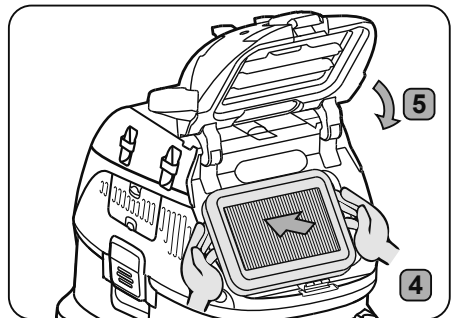
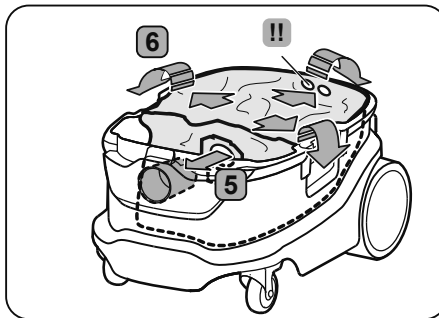
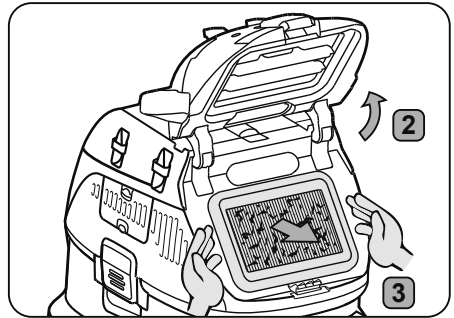
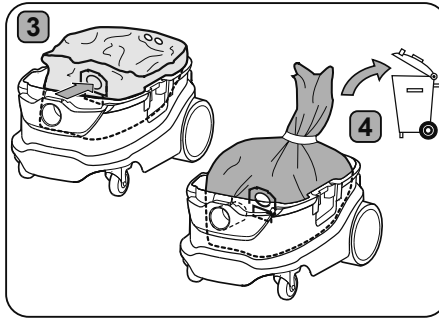
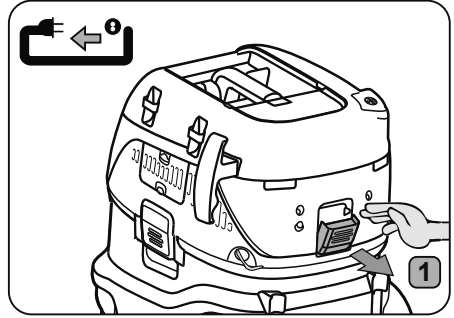
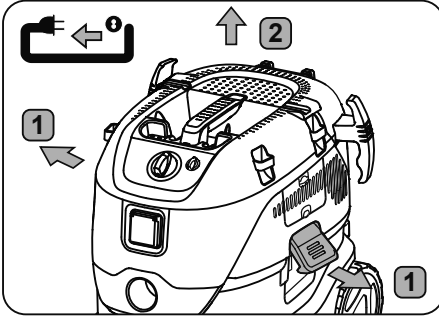
D1



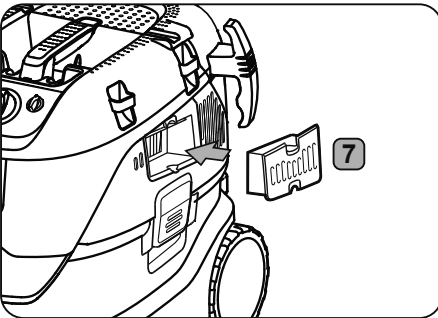
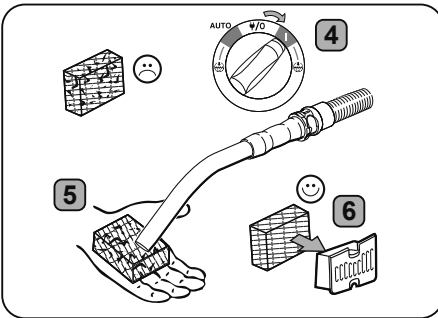
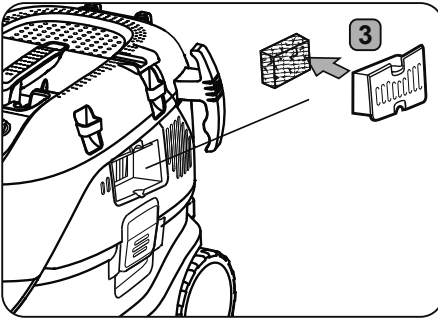
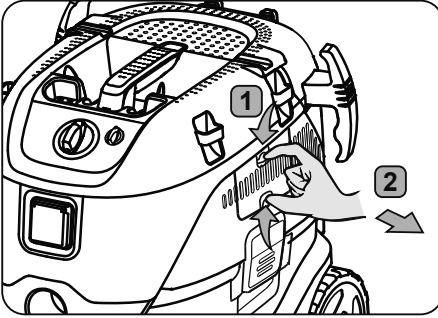
D2



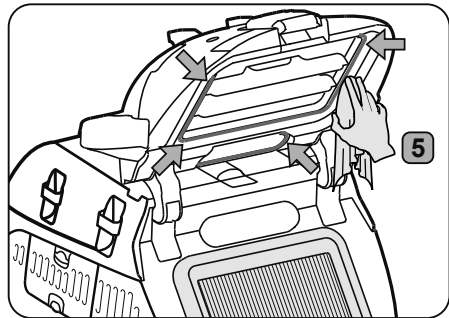
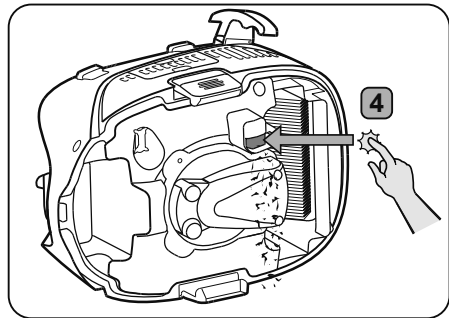
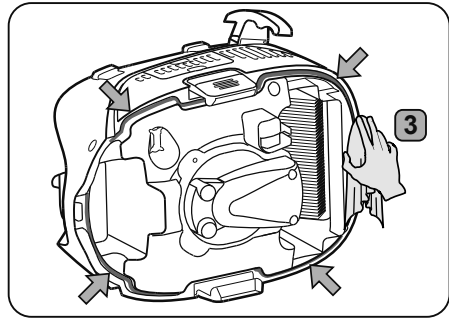
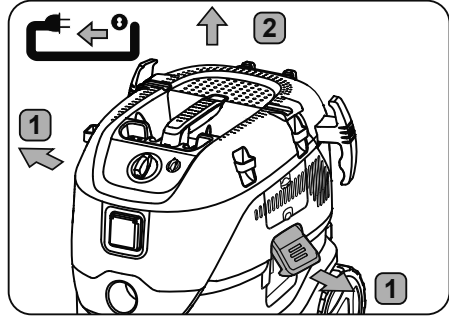
D3



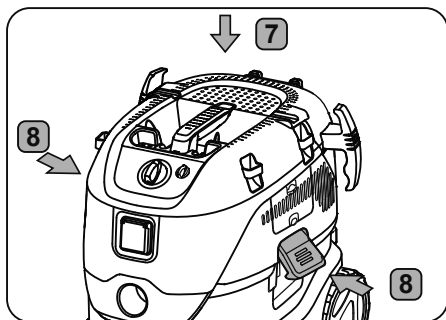
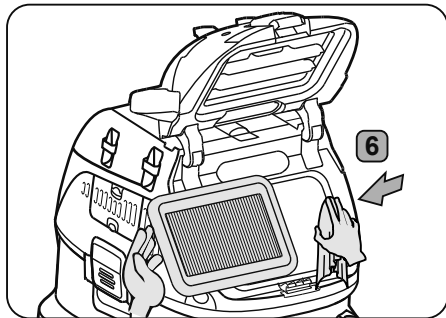
D4



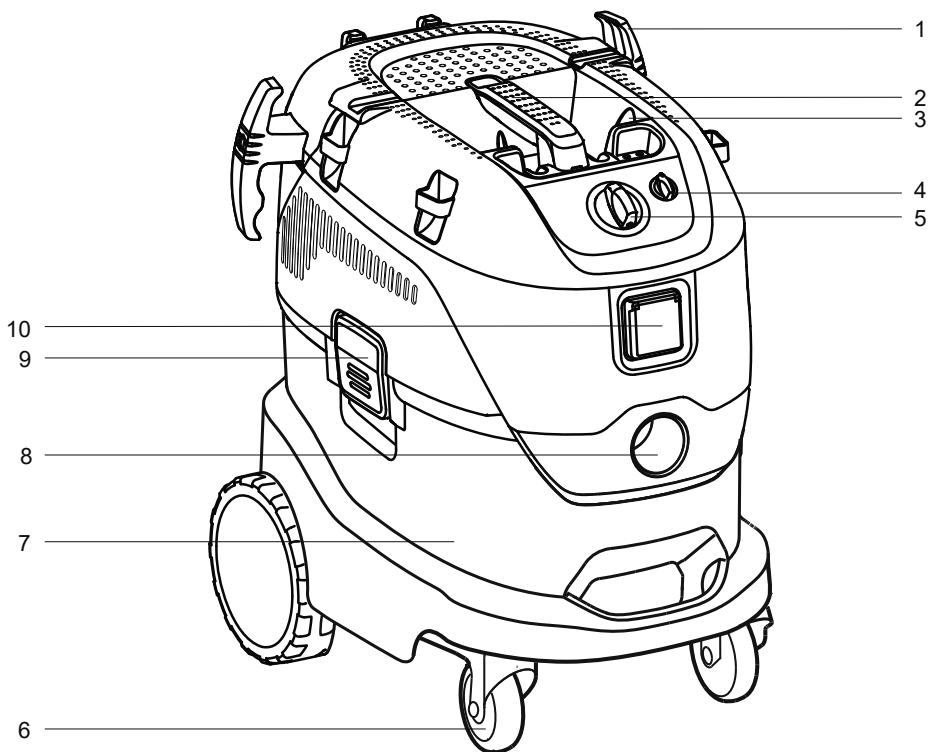
D5



D5



Bedienelemente



Quick reference guide

Operating elements

- 1 Hose hook
- 2 Handle
- 3 Accessory positions
- 4 Suction power control
- 5 Switch
- 6 Castor
- 7 Container
- 8 Inlet fitting
- 9 Latch
- 10 Appliance socket

The pictorial quick reference guide

The pictorial quick reference guide is designed for helping you when starting up, operating and storing the unit. The guide are subdivided into 4 sections, which are represented by symbols:

A



Before starting

READ OPERATING INSTRUCTIONS BEFORE USE!

- A1** - Unpack accessories
- A2** - Filter bag installation
- A3** - Disposal bag installation
- A4** - Hose insert & operations
- A5** - Accessories placement
- A6** - Adaptor plate installation
- A7** - Trolley handle installation

B



Control/Operation

- B1** - AutoClean filter cleaning system
- B2** - Cable and hose storage

C



Connecting electrical appliances

- C1** - Power tool adaption

D



Maintenance

- D1** - Filter bag replacement
- D2** - Disposal bag replacement
- D3** - Filter replacement
- D4** - Motor cooling air diffuser cleaning
- D5** - Gaskets and floater cleaning

Contents

1 Safety instructions	12
1.1 Symbols used to mark instructions	12
1.2 Instructions for use	12
1.3 Purpose and intended use	12
1.4 Electrical connection	12
1.5 Extension lead	13
1.6 Guarantee	13
1.7 Important warnings	13
2 Risks	14
2.1 Electrical components	14
2.2 Hazardous dust	15
2.3 Spare parts and accessories	15
2.4 In explosive or inflammable atmosphere	15
3 Control / Operation	15
3.1 Starting and operating of the machine	15
3.2 Auto-On/Off socket outlet for power tools ...	16
3.3 AutoClean	16
3.4 Antistatic connection ¹⁾	16
3.5 Cooling air filter	16
3.6 Wet pick-up	17
3.7 Dry pick-up	17
4 After using the machine	17
4.1 After use	17
4.2 Transport	17
4.3 Storage	17
4.4 Accessory and tool storage	17
4.5 Recycling the machine	18
5 Maintenance	18
5.1 Regular servicing and inspection	18
5.2 Maintenance	18
6 Further information	18
6.1 EU Declaration of conformity	18
6.2 Specifications	19

1 Safety instructions



This document contains the safety information relevant for the appliance along with a quick reference guide. Before starting up your machine for the first time, this instruction manual must be read through carefully. Save the instructions for later use.

Attached to the US unit:

Vacuum Cleaner Safety Instructions US include important instructions to fire, electric shock or injury.

Further support

Further information on the appliance can be found on our web site at www.makita.com.

For further queries, please contact the Makita service representative responsible for your country.

1.1 Symbols used to mark instructions

DANGER



Danger that leads directly to serious or irreversible injuries, or even death.

WARNING



Danger that can lead to serious injuries or even death.

CAUTION



Danger that can lead to minor injuries and damage.

1.2 Instructions for use

The appliance must:

- only be used by persons, who have been instructed in its correct usage and explicitly commissioned with the task of operating it
- only be operated under supervision

This appliance is not intended for use by persons (including children) with reduced physical, sensory or mental capabilities, or lack of experience and knowledge.

Children shall be supervised to make sure that they do not play with the appliance.

Do not use any unsafe work techniques.

Never use the appliance without a filter.

Switch off the appliance and disconnect the mains plug in the following situations:

- Prior to cleaning and servicing
- Prior to replacing components
- Prior to changing over the appliance
- If foam develops or liquid emerges

Besides the operating instructions and the binding accident prevention regulations valid in the country of use, observe recognised regulations for safety and proper use.

Before starting work, the operating staff must be informed on and trained within:

- use of the machine
- risks associated with the material to be picked up
- safe disposal of the picked up material

1.3 Purpose and intended use

This mobile dust extractor is designed, developed and rigorously tested to function efficiently and safely when properly maintained and used in accordance with the following instructions.

This machine is suitable for industrial use, such as e.g. plants, construction sites and workshops.

This machine is also intended for commercial use, for example in hotels, schools, hospitals, factories, shops, offices and rental businesses.

Accidents due to misuse can only be prevented by those using the machine.

READ AND FOLLOW ALL SAFETY INSTRUCTIONS.

The appliance is suitable for picking up dry, non-flammable dust and liquids.

Any other use is considered as improper use. The manufacturer accepts no liability for any damage resulting from such use. The risk for such use is borne solely by the user. Proper use also includes proper operation, servicing and repairs as specified by the manufacturer.

The appliance is suitable for picking up dry, non-flammable dust and liquids, hazardous dusts with OEL (Occupational Exposure Limit) value > 1mg/m³. Dust Class L (IEC 60335-2-69).



For machines intended for the Dust Class L, the filter material is tested. The maximum degree of permeability is 1% and there is no special requirement for disposal.

For dust extractors, ensure adequate air change rate, when the exhaust air is returned to the room. Observe national regulations before use.

1.4 Electrical connection

It is recommended that the machine should be connected via a residual current circuit breaker.

Arrange the electrical parts (sockets, plugs and couplings) and lay down the extension lead so that the protection class is maintained.

Connectors and couplings of power supply cords and extension leads must be watertight.

1.5 Extension lead

As an extension lead, only use the version specified by the manufacturer or one of a higher quality.

When using an extension lead, check the minimum cross-sections of the cable:

Cable length	Cross section	
	< 16 A	< 25 A
up to 20 m	1.5 mm ²	2.5 mm ²
20 to 50 m	2.5 mm ²	4.0 mm ²


1.6 Guarantee

Our general conditions of business are applicable with regard to the guarantee.

Unauthorised modifications to the appliance, the use of incorrect brushes in addition to using the appliance in a way other than for the intended purpose exempt the manufacturer from any liability for the resulting damage.

1.7 Important warnings

WARNING

 To reduce the risk of fire, electric shock, or injury, please read and follow all safety instructions and caution markings before use. This machine is designed to be safe when used for cleaning functions as specified. Should damage occur to electrical or mechanical parts, the machine and / or accessory should be repaired by a competent service center or the manufacturer before use in order to avoid further damage to the machine or physical injury to the user.

Do not leave the machine when it is plugged in. Unplug from the socket when not in use and before maintenance.

Outdoor use of the appliance shall be limited to occasional use.

Do not use with damaged cord or plug. To unplug grasp the plug, not the cord. Do not handle plug or machine with wet hands. Turn off all controls before unplugging.

Do not pull or carry by cord, use cord as a handle, close a door on cord, or pull cord around sharp edges or corners. Do not run machine over cord. Keep cord away from heated surfaces.

Keep hair, loose clothing, fingers and all parts of the body away from openings and moving parts. Do not put any objects into openings or use with opening blocked. Keep openings free of dust, lint, hair, and anything else that could reduce the flow of air.

Do not use in outside areas at low temperature.

Do not use to pick up flammable or combustible liquids such

as gasoline, or use in areas where they may be present.

Do not pick up anything that is burning or smoking, such as cigarettes, matches or hot ashes.

Use extra care when cleaning on stairs.

Do not use unless filters are fitted.

If the machine is not working properly or has been dropped, damaged, left outdoors, or dropped into water, return it to a service center or dealer.

If foam or liquid escapes from the machine, switch off immediately.

The machine may not be used as a water pump. The machine is intended for vacuuming air and water mixtures.

Connect the machine to a properly earthed mains supply. The socket outlet and the extension cable must have an operative protective conductor.

Provide for good ventilation at the working place.


Do not use the machine as a ladder or step ladder. The machine can tip over and become damaged. Danger of injury.

Only use the socket outlet on the machine for purposes specified in the instructions.

2 Risks

2.1 Electrical components


DANGER

 The upper section of the machine contains live components.

Contact with live components leads to serious or even fatal injuries.

1. Never spray water on to the upper section of the machine.

DANGER

 Electric shock due to faulty mains connecting lead.

Touching a faulty mains connecting lead can result in serious or even fatal injuries.

1. Do not damage the mains power lead (e.g. by driving over it, pulling or crushing it).
2. Regularly check whether the power cord is damaged or shows signs of ageing.
3. If the electric cable is damaged, it must be replaced

by an authorized Makita distributor or similar qualified person in order to avoid a hazard.

- In no circumstances should the power supply cord be wrapped around fingers or any part of the operators person.

2.2 Hazardous dust

WARNING



Hazardous materials.

Vacuuming up hazardous materials can lead to serious or even fatal injuries.

- The following materials must not be picked up by the machine:
 - hot materials (burning cigarettes, hot ash, etc.)
 - flammable, explosive, aggressive liquids (e.g. petrol, solvents, acids, alkalis, etc.)
 - flammable, explosive dust (e.g. magnesium or aluminium dust, etc.)

2.3 Spare parts and accessories

CAUTION



Spare parts and accessories.

The use of non-genuine spare parts, brushes and accessories can impair the safety and or function of the appliance.

- Only use original spare parts and accessories from Makita. Spare parts that can affect health and safety of the operator and or function of the appliance, are specified below:

Description	Order No.
Flat filter PTFE, 1 pcs.	W107418351
Fleece filter bag, 5 pcs.	W107418353
Disposal bag, 5 pcs.	W107418355
Motor cooling air filter PET, 1 pcs.	W107418352

2.4 In explosive or inflammable atmosphere

CAUTION



This machine is not suitable for use in explosive or inflammable atmospheres or where such atmospheres are likely to be produced by the presence of volatile liquid or inflammable gas or vapour.

3 Control / Operation

CAUTION

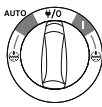





Damage due to unsuitable mains voltage. The appliance can be damaged as a result of being connected to an unsuitable mains voltage.

- Ensure that the voltage shown on the rating plate corresponds to the voltage of the local mains power supply.

3.1 Starting and operating of the machine

- Check that the electrical switch is switched off (in position 0).
- Check that suitable filters are installed in the machine.
- Connect the suction hose into the suction inlet at the machine by pushing the hose forward until it fits firmly in place at the inlet.
- Connect the tubes with the hose handle, twist the tubes in order to ensure that they are properly fitted.
- Attach suitable nozzle to the tube. Choose nozzle depending on what type of material that is to be picked-up.
- If used for dust extraction in connection with dust producing tool then connect end of suction hose with appropriate adapter.
- Connect the plug into a proper electrical outlet.
- Put the electrical switch into position I in order to start the motor.

	Turn I: Activate the machine
	Turn W/O: Stop the machine. Permanent power on socket
	Turn AUTO : Activate Auto-On/Off operation
	Turn I +  : Activate the machine with deactivated automatic filter cleaning function
	Turn AUTO +  : Activate Auto-On/Off operation with deactivated automatic filter cleaning function
	Suction power control operation on separate turning knob

3.2 Auto-On/Off socket outlet for power tools

CAUTION



Appliance socket.

The appliance socket is designed for electrical auxiliary equipment; see technical data for reference.

1. Prior to plugging in an appliance, always switch off the machine and the appliance that is to be connected.
2. Read the operating instructions to the appliance to be connected and observe the safety notes contained in these.

An appliance socket with earthing contact is integrated in the machine. An external power tool can be connected there. The socket features permanent power on, when the electrical switch is in position W/O, i.e. the machine can be used as an extension cord.

In position AUTO the machine can be switched on and off by the power tool connected. Dirt is picked up from the source of dust immediately. To comply with regulations, only approved dust producing tools should be connected.

The maximum power consumption of the connected electrical appliance is stated in section "Specifications".

Before turning the switch to position AUTO ensure that the tool connected to the appliance socket is switched off.

3.3 AutoClean

The machine is equipped with an automatic filter cleaning system, AutoClean. A frequent cleaning cycle

will automatically run during operation to ensure that suction performance is always at its best.

If suction performance decreases or in extensive dust applications a manually filter cleaning operation is recommended:

1. Switch off the machine.
2. Close the nozzles or suction hose opening with the palm of your hand.
3. Turn the switch to position „I“ and let the machine operate at full speed for approx. 10 seconds with the suction hose opening closed.

If suction power is still reduced take out the filter and clean mechanically or replace filter.

For certain applications, like wet pick up, it is recommended to turn off the automatic filter cleaning system. For details see chapter 3.1.

3.4 Antistatic connection^{*)}

CAUTION



The machine is equipped with an antistatic system to discharge any static electricity that may develop during dust pick-up.

The antistatic system is placed in front part of the motor top and creates an earth ground connection to the inlet fitting of the container.

For proper function the use of an electrical conductive or antistatic suction hose is recommended.

1. When inserting the optional disposal bag make sure the antistatic connection is kept.

3.5 Cooling air filter

To protect the electronics and motor, the machine is equipped with a cooling air diffusor. Clean the cooling air diffusor regularly.

For areas with a high concentration of fine dust in the surrounding air it is recommended to equip the machine with an optional cooling air filter cartridge to prevent dust from settling inside the air channels and motor. Contact your local sales representative.

CAUTION



If cooling air filter is clogged by dust the overload protection switch in the motor can be activated.

1. In such case switch off the machine, clean cooling air filter and allow machine to cool for approx. 5 minutes.

3.6 Wet pick-up

CAUTION



The machine is equipped with a water level limit system which shuts off the machine when the maximum liquid level is reached.

1. When this occurs, switch off the machine.
2. Disconnect the machine from the socket and empty the container.
3. Never pick up liquids without the water level limit system and filter in place.
4. Do not pick up flammable liquids.
5. Before liquids are picked up, always remove the filter bag/wastebag and check that the water level limit works properly.
6. If foam appears, stop work immediately and empty the tank.
7. Clean the water level limiting device regularly and check for signs of damage.

Before emptying the container, unplug the machine. Disconnect the hose from the inlet by pulling out the hose. Release the latches by pulling them outwards so that the motor top is released. Lift up the motor top from container. Always empty and clean the container and water level limit system after picking-up liquids.

Empty by tilting the container backwards or sideways and pour the liquids into a floor drain or similar.

Put back the motor top to the container. Secure the motor top with the latches.

Heavy maneuvers can, by mistake, trigger the water level limiting device. Should this happen; turn off the machine and wait for 3 seconds to reset the device. Continue to operate the machine afterwards.

3.7 Dry pick-up

CAUTION



Picking up environmentally hazardous materials.

Materials picked up can present a hazard to the environment.

1. Dispose of the dirt in accordance with legal regulations.

Remove the electrical plug from the socket before emptying after dry pick-up. Release the latches by pulling them outwards so that the motor top is released. Lift up the motor top from container.

Filter: Check the filters. To clean the filter you can shake, brush or wash it. Wait until the filter is dry before re-starting dust pick-up.

Dust bag: check bag to ensure the fill factor. Replace dust bag if necessary. Remove the old bag.

The new bag is fitted by passing the cardboard piece with the rubber membrane through the vacuum inlet. Make sure that the rubber membrane is passing past the heightening at the vacuum inlet.

After emptying: close motor top to the container and secure the motor top with the latches. Never pick up dry material without filter fitted in the machine. The suction efficiency of the machine depends on the size and quality of the filter and dust bag. Therefore – use only Original filter and dust bags.

4 After using the machine

4.1 After use

Remove the plug from the socket when machine is not in use. Wind up the cord starting from the machine. The power cord can be wound up around the motor top or at the container or placed in the included hook, or fastening means. Some variants have special storage places for accessories.

4.2 Transport

1. Before transporting the machine, close all the latches.
2. Do not tilt the machine if there are liquids in the dirt tank.
3. Do not use a crane hook to lift the machine.
4. Do not lift the machine by the trolley handle^{*)} or the handle of the MAKPAC-Box^{*)}.

4.3 Storage

CAUTION



Store the appliance in a dry place, protected from rain and frost. The machine shall be stored indoors only.

4.4 Accessory and tool storage

For convenient transport and storage of accessories or tools, integrated rails are found on side of machine which allows fastening with straps or other means. A flexible strap and hooks are included on back of machine for attachment of suction hose or mains cable. For instruction see quick reference guide.

An optional adapter plate^{*)} with attachment system can be installed on top of machine for fastening of 2-point or 4-point storage cases.

^{*)} Optional accessories / Option depending on model Original instruction

Remove the electrical plug from the socket before installing the adapter plate.

CAUTION^{*)}



Do not lift machine in adapter plate without having storage case safely installed. Note the weight and balance of the appliance in case of storage. Maximum weight of storage cases is 30 kg.

4.5 Recycling the machine

Make the old machine unusable.

1. Unplug the machine.
2. Cut the power cord.
3. Do not discard of electrical appliances with household waste.



As specified in European Directive 2012/19/EU on old electrical and electronic appliances, used electrical goods must be collected separately and recycled ecologically.

5 Maintenance

5.1 Regular servicing and inspection

Regular servicing and inspection of your machine must be carried out by suitably qualified personnel in accordance with relevant legislation and regulations. In particular, electrical tests for earth continuity, insulation resistance, and condition of the flexible cord should be checked frequently.

In the event of any defect, the machine **MUST** be withdrawn from service, completely checked and repaired by an authorized service technician.

At least once a year, a Makita technician or an instructed person must perform a technical inspection including filters, air tightness and control mechanisms.

5.2 Maintenance

Remove the plug from the socket before performing maintenance. Before using the machine make sure that the frequency and voltage shown on the rating plate correspond with the mains voltage.

The machine is designed for continuous heavy work. Depending on the number of running hours – the dust filter should be renewed. Keep the machine clean with a dry cloth, and a small amount of spray polish.

During maintenance and cleaning, handle the machine in such a manner that there is no danger for maintenance staff or other persons.

In the maintenance area:

- Use filtered compulsory ventilation
- Wear protective clothing

- Clean the maintenance area so that no harmful substances get into the surroundings

During maintenance and repair work all contaminated parts that could not be cleaned satisfactorily must be:

- Packed in well sealed bags
- Disposed of in a manner that complies with valid regulations for such waste removal.

For details of after sales service contact your dealer or Makita service representative responsible for your country. See reverse of this document.

6 Further information

6.1 EC Declaration of conformity

We hereby declare that the machine described below complies with the relevant basic safety and health requirements of the EU Directives, both in its basic design and construction as well as in the version put into circulation by us. This declaration shall cease to be valid if the machine is modified without our prior approval.

Product: Wet and dry vacuum cleaner
Type: VC4210L

Relevant EU Directives:
2006/42/EC, 2014/30/EU, 2011/65/EU

Applied harmonized standards:
EN 60335-1:2012+A11:2014
EN 60335-2-69:2012
EN 55014-1:2006+A1:2009+A2:2011
EN 55014-2:2015
EN 61000-3-2:2014
EN 61000-3-3:2013
EN 50581:2012

Authorised Documentation Representative:
Makita Europe N.V., Jan-Baptist Vinkstraat 2,
3070 Kortenberg, Belgium

26.06.2019
Hiroshi Tsujimura
Director - Makita Europe N.V.
Makita Europe N.V., Jan-Baptist Vinkstraat 2,
3070 Kortenberg, Belgium

6.2 Specifications

Makita VC4210L						
	EU / FR / RU	AU / NZ	CH	GB	CA / US / MX	
Mains Voltage	220-240	220-240	220-240	220-240	110-120	
Mains frequency	50/60					
Power consumption	1200					
Connected load for appliance socket	2400	1100	1100	1700	890 / 7.4 A	
Total connected load	3600	2300	2300	2900	550 / 4.6 A	
Fuse	16	10	13	13	15	
Volume flow (air) max. *)	4500 (270)					
Vacuum	250 (250)					
Sound pressure level (IEC 60335-2-69)	68 ±2					
Sound level	60 ±2					
Hand-arm vibration	<2.5					
Power cord length	7.5					
Power cord type	H07RN-F 3G1.5 mm ²	H05RN-F 3G1.00 mm ²	H07RN-F 3G1.5 mm ²	H07RNF 3G1.5 mm ²	SJTW-A 3AWG16	
Protection class	I					
Type of protection	IPX4					
Radio interference suppression level	EN 55014-1					
Dust class	L					
Tank volume	max.	42 (9.2 / 11.1)				
	dust	34 (7.5 / 9.0)				
	water	30 (6.6 / 8.9)				
Width	385 (15.2)					
Depth	575 (22.6)					
Height	605 (23.8)					
Weight (net, most common application)	16.0 (35.3)					

*) measured at turbine
Specifications and details are subject to change without prior notice.

Guide de référence rapide

Éléments de fonctionnement

- 1 Crochet de flexible
- 2 Poignée
- 3 Positions accessoires
- 4 Contrôle de la vitesse
- 5 Interrupteur
- 6 Roulette
- 7 Réservoir
- 8 Raccord d'admission
- 9 Verrou
- 10 Fiche de l'appareil

Guide de référence rapide illustré

Le guide de référence rapide illustré est conçu pour vous aider à mettre en marche, utiliser et entreposer l'appareil. Le guide est subdivisé en 4 sections représentées par des symboles :

A



Avant la mise en marche

VEUILLEZ LIRE LE MODE D'EMPLOI AVANT TOUTE UTILISATION !

- A1** - Déballage des accessoires
- A2** - Installation du sac-filtre
- A3** - Installation du sac jetable
- A4** - Insertion et opérations du flexible
- A5** - Mise en place des accessoires
- A6** - Installation de la plaque d'adaptateur
- A7** - Installation de la poignée du chariot

B



Commande / fonctionnement

- B1** - Système de nettoyage de filtre AutoClean
- B2** - Rangement des câbles et des flexibles

C



Raccordement des appareils électriques

- C1** - Adaptation de l'outil électrique

D



Maintenance

- D1** - Remplacement du sac-filtre
- D2** - Remplacement du sac jetable
- D3** - Remplacement du filtre
- D4** - Nettoyage du diffuseur à air de refroidissement du moteur
- D5** - Nettoyage des joints et des flotteurs

Table des matières

1	Consignes de sécurité	21
1.1	Symboles utilisés pour le signalement des instructions	21
1.2	Instructions d'utilisation	21
1.3	Objet et utilisation prévue.....	21
1.4	Raccordement électrique	22
1.5	Rallonge	22
1.6	Garantie	22
1.7	Avertissements importants	22
2	Risques	24
2.1	Composants électriques.....	24
2.2	Poussière dangereuse	24
2.3	Pièces de rechange et accessoires	25
2.4	Dans une atmosphère explosive ou inflammable.....	25
3	Commande / fonctionnement	25
3.1	Mise en marche et utilisation de la machine.....	25
3.2	Fiche de marche/arrêt auto pour outils électriques	25
3.3	AutoClean	26
3.4	Branchement antistatique ¹⁾	26
3.5	Filtre d'air de refroidissement	26
3.6	Aspiration humide	26
3.7	Aspiration sèche.....	27
4	Après l'utilisation de la machine	27
4.1	Après utilisation	27
4.2	Transport	27
4.3	Entreposage.....	27
4.4	Entreposage des accessoires et des outils. 27	
4.5	Recyclage de la machine	28
5	Maintenance	28
5.1	Maintenance et inspection régulières.....	28
5.2	Maintenance.....	28
6	Informations complémentaires	28
6.1	Déclaration de conformité CE	28
6.2	Caractéristiques techniques.....	29

1 Consignes de sécurité



Ce document contient les consignes de sécurité pertinentes pour l'appareil ainsi qu'un guide de référence rapide. Veuillez lire attentivement ce manuel d'utilisation avant la première utilisation de votre machine. Conservez les instructions pour consultation ultérieure.

Ajouté à la version US:

Les instructions de sécurité US pour aspirateurs incluent des instructions importantes en cas d'incendie, d'électrochoc ou de blessure.

Assistance supplémentaire

Pour des informations supplémentaires au sujet de cet appareil, consultez notre site internet à l'adresse www.makita.com.

Pour toute autre question, contactez le service clientèle Makita en charge de votre pays.

Voir verso du présent document.

1.1 Symboles utilisés pour le signalement des instructions

DANGER



Danger qui peut se traduire directement par des blessures graves ou irréversibles, voire même un décès.

AVERTISSEMENT



Danger qui peut se traduire par des blessures graves voire même un décès.

ATTENTION



Danger qui peut se traduire par des blessures légères et des dommages.

1.2 Instructions d'utilisation

L'appareil doit :

- uniquement être utilisé par des personnes qui ont été formées correctement à son usage et à qui l'on a explicitement confié la tâche de l'utiliser
- uniquement être utilisé sous surveillance

Cet appareil n'est pas destiné à être utilisé par des personnes (enfants inclus) aux capacités physiques, sensorielles ou mentales réduites, ou manquant d'expérience ou de connaissances.

Les enfants devront être surveillés pour faire en sorte qu'ils ne jouent pas avec l'appareil.

Ne pas utiliser de techniques de travail à risque.

Ne jamais utiliser la machine sans y avoir placé un filtre.

Mettre l'appareil hors tension et débrancher la prise dans les situations suivantes :

- Avant le nettoyage et la maintenance
- Avant de procéder au remplacement de composants
- Avant de déplacer l'appareil
- Si de la mousse se forme ou du liquide fuit

En dehors des instructions d'utilisation et des réglementations de prévention des accidents applicables obligatoirement dans le pays d'utilisation, observer les règles admises de sécurité et de conformité d'utilisation.

Avant de commencer le travail, le personnel d'exécution doit être informé ou formé en matière de :

- utilisation de la machine
- risques associés aux substances à ramasser
- élimination sûre des substances ramassées

1.3 Objet et utilisation prévue

Cet extracteur de poussière mobile est conçu, développé et soumis à des tests stricts pour fonctionner de manière efficace et sûre lorsqu'il est correctement entretenu et utilisé conformément aux instructions ci-après.

Cette machine est adaptée à un usage industriel, par exemple dans les usines, les sites de construction et les ateliers.

Cette machine est également conçue pour une utilisation professionnelle, par exemple dans les hôtels, écoles, hôpitaux, usines, magasins, bureaux et sociétés de location.

Les accidents dus à une mauvaise utilisation ne peuvent être évités que par ceux qui utilisent la machine.

LISEZ ET SUIVEZ LES INSTRUCTIONS DE SÉCURITÉ.

Le dispositif convient pour recueillir de la poussière sèche et des liquides non inflammables.

Toute autre utilisation est considérée comme non-conforme. Le fabricant ne pourra pas être tenu pour responsable des dommages liés à une telle utilisation. Ce risque est uniquement supporté par l'utilisateur. L'utilisation correcte inclut le bon fonctionnement, la maintenance et les réparations spécifiés par le fabricant.

Le dispositif convient pour recueillir de la poussière sèche et des liquides non inflammables, la poussière dangereuse avec une valeur OEL (limite d'exposition professionnelle) > 1 mg/m³. Aspirateur de type L (IEC 60335-2-69).



Pour les aspirateurs de type L, le matériau du filtre est testé. Le degré maximum de perméabilité est de 1 % et il n'y a pas de conditions particulières d'élimination.

Pour les extracteurs de poussière, veillez à ce que le changement d'air soit de type L lorsque l'air d'échappement revient dans la pièce. Respectez les réglementations nationales avant utilisation.

1.4 Raccordement électrique

Il est recommandé de raccorder la machine par un coupe-circuit à courant résiduel.

Les éléments électriques (fiches, prises et accouplements) et la rallonge doivent être disposés de sorte à garantir la classe de protection.

Les connecteurs et accouplements des cordons d'alimentation ainsi que les rallonges doivent être étanches à l'eau.

1.5 Rallonge

La rallonge doit répondre ou être supérieure aux spécifications imposées par le fabricant.

Si une rallonge est utilisée, il faut contrôler la section minimale du câble :

Longueur du câble	Section	
	< 16 A	< 25 A
jusqu'à 20 m	1,5 mm ²	2,5 mm ²
de 20 à 50 m	2,5 mm ²	4,0 mm ²


1.6 Garantie

En ce qui concerne la garantie, nos conditions générales de vente sont applicables.

Les modifications non autorisées apportées à l'appareil, l'utilisation de brosses incorrectes et l'utilisation de l'appareil à des fins autres que celles décrites exemptent le fabricant de toute responsabilité quant au dommage qui en découle.

1.7 Avertissements importants

AVERTISSEMENT

 Pour réduire les risques d'incendie, d'électrocution ou de blessures, veuillez lire et respecter toutes les instructions de sécurité et les consignes de prudence avant de l'utiliser. Cette machine est conçue pour être utilisée en

toute sécurité dans le cadre des fonctions de nettoyage spécifiées. En cas de dommages sur des parties électriques ou mécaniques, la machine et / ou les accessoires doivent être réparés par un service technique qualifié ou le fabricant avant utilisation afin d'éviter d'autres dommages à l'appareil ou des blessures physiques à l'utilisateur.

Ne laissez pas l'appareil sans surveillance lorsqu'il est branché. Débranchez-le de la prise lorsqu'il n'est pas utilisé et avant la maintenance.

L'utilisation en plein air de l'appareil doit être limitée à un usage occasionnel.

Ne pas utiliser l'appareil si le cordon ou la fiche d'alimentation électrique est endommagé. Pour le débrancher, saisissez la fiche et pas le cordon. Évitez de manipuler la fiche ou la machine avec des mains mouillées. Eteignez toutes les commandes avant de débrancher l'appareil.

Ne pas tirer ou transporter par le cordon, ne pas utiliser le cordon comme une poignée, ne pas écraser le cordon sous

une porte, ne pas tirer le cordon autour de bords ou coins tranchants. Ne pas faire rouler la machine sur le cordon. Éloignez le cordon des surfaces chauffées.

Tenez les cheveux, les vêtements amples, les doigts et toutes les parties du corps distance des ouvertures et des parties mobiles. Ne pas insérer d'objets dans les ouvertures ou ne pas utiliser avec les ouvertures bloquées. Veillez à ce que les ouvertures ne soient jamais obstruées par de la poussière, de la peluche, des cheveux ou quoi que ce soit risquant de réduire le flux d'air.

N'utilisez pas la machine en extérieur, à basse température.

Ne pas se servir de la machine pour ramasser des liquides inflammables ou combustibles, comme de l'essence, et ne pas l'utiliser dans un environnement dans lequel de tels liquides pourraient être présents.

N'aspirez rien qui soit en train de fumer ou de brûler (par ex. cigarettes, allumettes ou cendres chaudes).

Faire plus d'attention pendant le nettoyage des escaliers.

Ne pas utiliser l'appareil s'il n'est pas équipé de filtres.

Si la machine ne fonctionne pas correctement, a fait l'objet d'une chute, a été endommagé, laissé en plein air ou immergé, le retourner dans un centre technique ou un distributeur.

En cas de production de mousse ou de sortie de liquide de la machine, arrêtez immédiatement l'aspirateur.

La machine ne peut pas être utilisée comme pompe à eau. La machine a été conçue pour aspirer de l'air et des mélanges contenant de l'eau.

Connectez la machine à une alimentation électrique correctement reliée à la terre. La prise de courant et la rallonge doivent être dotées d'un conducteur de terre.

Assurez une ventilation suffisante du lieu de travail.


N'utilisez pas la machine sur une échelle ou un escabeau. Elle pourrait basculer et subir des dommages. Risque de blessure.

Utiliser uniquement la prise de courant de l'appareil pour les usages définis dans les instructions.

2 Risques

2.1 Composants électriques


DANGER

 La section supérieure de la machine intègre des composants sous tension.

Les composants sous tension peuvent conduire à des blessures graves voire même mortelles.

1. Ne jamais pulvériser de l'eau sur la section supérieure de la machine.

DANGER

 Choc électrique dû à un cordon d'alimentation abîmé.


Le fait de toucher un cordon d'alimentation abîmé peut entraîner des blessures graves voire mortelles.

1. Ne pas endommager le cordon d'alimentation, par ex. ne pas rouler ni tirer dessus, ne pas le pincer.

2. Vérifier régulièrement si le cordon d'alimentation est endommagé ou montre des signes d'usure.
3. Si le câble électrique est endommagé, il doit être remplacé par un distributeur Makita agréé ou une personne qualifiée similaire afin de prévenir tout risque.
4. Ne jamais enrouler le cordon d'alimentation autour des doigts ou de toute autre partie du corps de l'opérateur.

2.2 Poussière dangereuse

AVERTISSEMENT

 Substances dangereuses.
Passer l'aspirateur sur des substances dangereuses peut provoquer des blessures graves, voire même mortelles.

1. Les substances suivantes ne doivent pas être aspirées par la machine :
 - déchets chauds (cigarettes allumées, cendres chaudes, etc.)
 - liquides inflammables, explosifs, agressifs (par ex. essence, solvants, acides, alcalis, etc.)

- poussière inflammable, explosive (par ex. poussière de magnésium ou d'aluminium, etc.)

2.3 Pièces de rechange et accessoires

ATTENTION



Pièces de rechange et accessoires.

L'utilisation de pièces de rechange, de brosses et d'accessoires non originaux peut avoir une influence négative sur la sécurité et / ou le fonctionnement de l'appareil.

1. Seuls les accessoires et pièces de rechange Makita sont autorisés. Les pièces de rechange susceptibles de nuire à la santé et à la sécurité de l'opérateur et / ou au fonctionnement de l'appareil sont les suivantes :

Description	N° de commande
Élément filtrant plat PTFE, 1 pièce.	W107418351
Sac-filtre en papier, 5 pièces.	W107418353
Sac à poussière, 5 pièces.	W107418355
Filtre d'air de refroidissement en PET, 1 pièce.	W107418352

2.4 Dans une atmosphère explosive ou inflammable

ATTENTION



Cette machine n'est pas conçue pour être utilisée dans une atmosphère explosive ou inflammable ou dans des atmosphères susceptibles de le devenir suite à la présence de liquides volatils ou de gaz ou vapeurs inflammables.

3 Commande / fonctionnement

ATTENTION



Domages dus à une tension d'alimentation incorrecte.

Le fait de connecter l'appareil à une tension d'alimentation incorrecte peut l'endommager.

1. Veiller à ce que la tension affichée sur la plaque signalétique corresponde à la tension de l'alimentation secteur locale.

3.1 Mise en marche et utilisation de la machine

1. Vérifiez que l'interrupteur électrique est sur la position arrêt (position 0).
2. Vérifiez que les filtres adaptés sont installés sur la machine.
3. Connectez ensuite le flexible d'aspiration dans l'entrée d'aspiration de la machine en poussant sur le flexible pour le fixer fermement dans l'entrée.
4. Connectez ensuite les deux tubes avec la poignée du flexible et faites tourner les tubes afin de vous assurer qu'ils sont fixés correctement.
5. Placez une buse adaptée sur le tube. Le choix de la buse se fait en fonction du type de matériau à aspirer.
6. Il est utilisé pour extraire la poussière en association avec un outil qui produit de la poussière puis se connecte au tuyau d'aspiration avec un adaptateur approprié.
7. Branchez la fiche dans une prise électrique adaptée.
8. Placez l'interrupteur électrique sur la position I afin de faire démarrer le moteur.

	Bouton sur I : Mise en marche de la machine
	Bouton sur 0 : Arrêt de la machine. Alimentation permanente dans la prise.
	Bouton sur AUTO : Activation du mode de fonctionnement marche/arrêt auto
	Bouton sur I + : Mise en marche de la machine avec désactivation de la fonction de nettoyage de filtre automatique
	Bouton sur AUTO + : Activation du fonctionnement marche/arrêt auto et désactivation de la fonction de nettoyage de filtre automatique.
	Contrôle de la vitesse à l'aide d'un autre bouton rotatif

3.2 Fiche de marche/arrêt auto pour outils électriques

ATTENTION



Fiche de l'appareil.

La fiche de l'appareil est destinée aux équipements électriques auxiliaires ; consultez les caractéristiques techniques pour référence.

1. Avant de brancher un appareil, toujours éteindre la machine et l'appareil à brancher.

2. Lire les instructions d'utilisation de l'appareil à brancher et respecter les consignes de sécurité qui y sont relatives.

Une prise avec contacteur de terre est intégrée à l'appareil. Vous pouvez y connecter un outil électrique externe. La prise offre un fonctionnement permanent¹⁾ lorsque l'interrupteur électrique est en position $\#/0$, c.-à-d. la machine peut être utilisée comme rallonge.

En position AUTO, la machine peut être mise en marche et arrêtée via l'outil connecté. La poussière est immédiatement aspirée à la source. Afin de satisfaire aux réglementations en vigueur, seuls des outils électriques générant de la poussière approuvés peuvent être branchés sur l'aspirateur.

La puissance maximale de l'appareil électrique connecté est mentionnée dans la section « Spécifications ».

Avant de placer l'interrupteur sur la position AUTO, il faut s'assurer que l'outil branché dans la prise est éteint.

3.3 AutoClean

La machine est dotée d'un système de nettoyage du filtre semi-automatique, AutoClean. Un cycle de nettoyage fréquent sera automatiquement effectué pour garantir une excellente performance d'aspiration à tout moment.

Si la puissance d'aspiration diminue, ou pour les applications extrêmement poussiéreuses, il est recommandé de nettoyer le filtre manuellement :

1. Arrêter l'appareil.
2. Fermer les buses ou l'ouverture du tuyau d'aspiration avec la paume de la main.
3. Placer le commutateur sur la position « I » et faire tourner l'aspirateur à plein régime pendant environ 10 secondes tout en maintenant l'ouverture du tuyau d'aspiration fermée.

Si la puissance d'aspiration reste faible, sortez le filtre et nettoyez-le mécaniquement, ou remplacez le filtre.

Pour certaines applications, telles que le ramassage de substances humides, il est recommandé de désactiver le système de nettoyage de filtre automatique. Voir le chapitre 3.1 pour plus de détails.

3.4 Branchement antistatique²⁾

ATTENTION



La machine est équipée d'un système antistatique pour décharger toute électricité statique susceptible de se former pendant le ramassage.

Le système antistatique est placé à l'avant du hait du moteur et crée un branchement à la terre pour l'entrée du réservoir.

Pour un fonctionnement optimal, il est conseillé d'utiliser un tuyau d'aspiration électrique conducteur ou antistatique.

1. Lorsque vous insérez le sac jetable facultatif, assurez-vous qu'il soit placé de telle manière qu'il ne gêne pas la bride antistatique.

3.5 Filtre d'air de refroidissement

Pour protéger les parties électroniques et le moteur, la machine est équipée d'un diffuseur d'air de refroidissement. Nettoyez-le régulièrement.

Pour les zones ayant une forte concentration de poussière fine dans l'atmosphère, il est recommandé d'équiper la machine d'une cartouche de filtre d'air de refroidissement supplémentaire pour éviter que la poussière ne s'accumule dans les canaux d'air et le moteur. Contactez votre représentant commercial local.

ATTENTION



Si le filtre d'air de refroidissement est bouché par la poussière, l'interrupteur de protection contre les surcharges dans le moteur peut être activé.

1. Le cas échéant, éteignez la machine, nettoyez le filtre d'air bouché et laissez refroidir pendant environ 5 minutes.

3.6 Aspiration humide

ATTENTION



La machine est dotée d'un système de flotteur qui coupe le débit d'air de la machine lorsque le niveau de liquide max. est atteint.

1. Lorsque cela se produit, coupez la machine.
2. Débranchez la machine de la prise et videz le réservoir.
3. N'aspirez jamais de liquide sans avoir installé le flotteur et le filtre.
4. Ne pas aspirer de liquides inflammables.
5. Avant d'aspirer des liquides, toujours retirer le sac-filtre/sac à déchets et vérifier que le flotteur fonctionne correctement.

- Si de la mousse se forme, arrêter immédiatement le travail et vider le réservoir.
- Nettoyer le limiteur de niveau d'eau régulièrement et vérifier s'il présente des signes de dommages.

Avant de vider le réservoir, débranchez la machine. Déconnectez le flexible de l'entrée en tirant sur le flexible. Détachez les loquets en les tirant vers l'extérieur afin de libérer la partie supérieure du moteur. Soulevez la partie supérieure du moteur du réservoir. Videz et nettoyez le réservoir et le système de flotteur après avoir aspiré des liquides.

Pour procéder à la vidange, inclinez le réservoir vers l'arrière ou vers le côté et versez les liquides dans une bouche d'évacuation ou similaire.

Remplacez la partie supérieure du moteur sur le réservoir. Sécurisez la partie supérieure du moteur avec les languettes.

Les manœuvres lourdes peuvent accidentellement déclencher le flotteur. Le cas échéant, éteignez la machine et attendez 3 minutes avant de réinitialiser le dispositif. Ensuite, continuez d'utiliser la machine.

3.7 Aspiration sèche

ATTENTION



Aspiration de matériaux dangereux pour l'environnement.

Les matériaux aspirés peuvent présenter un risque pour l'environnement.

- Éliminer les saletés conformément aux réglementations légales.

Retirez la fiche de la prise avant de procéder à la vidange du réservoir après aspiration sèche. Détachez les loquets en les tirant vers l'extérieur afin de libérer la partie supérieure du moteur. Soulevez la partie supérieure du moteur du réservoir.

Filtere : Vérifiez les filtres. Pour nettoyer le filtre, vous pouvez le secouer, le brosser ou le laver. Attendez que le filtre soit sec avant de redémarrer l'aspiration de la poussière.

Sac à poussière : contrôlez le sac afin de vous assurer de son niveau de remplissage. Remplacez le sac à poussière si nécessaire. Retirez l'ancien sac. Le nouveau sac est installé en passant la pièce de carton avec membrane en caoutchouc dans l'entrée d'aspiration. Veillez à ce que la membrane en caoutchouc passe le rebord de l'entrée d'aspiration.

Après la vidange : fermez la partie supérieure du moteur du réservoir et sécurisez la partie supérieure du moteur à l'aide des loquets. N'aspirez jamais de matériaux secs sans avoir installé le filtre dans la machine. La puissance d'aspiration de la machine

dépend de la taille et de la qualité du filtre et du sac à poussière. Utilisez exclusivement des filtres et sacs de rechange d'origine.

4 Après l'utilisation de la machine

4.1 Après utilisation

Débranchez la fiche de la prise lorsque vous n'utilisez pas la machine. Enrouler le cordon en commençant par le côté proche de la machine. Le cordon peut être enroulé autour de la partie supérieure du moteur ou du réservoir ou placé dans le crochet inclus ou fixé avec des pinces. Certains modèles sont dotés d'emplacements de rangement spéciaux pour les accessoires.

4.2 Transport

- Avant de transporter la machine, fermez tous les verrous.
- Ne pas incliner la machine si le réservoir à saletés contient des liquides.
- Ne pas utiliser de crochet de grue pour soulever l'appareil.
- Ne pas soulever la machine par la poignée de chariot¹⁾ ou la poignée de la MAKPAC-Box¹⁾.

4.3 Entreposage

ATTENTION



Entreposer l'appareil dans un endroit sec, à l'abri de la pluie et du gel. Cette machine doit exclusivement être entreposée à l'intérieur de locaux.

4.4 Entreposage des accessoires et des outils

Pour un transport et un entreposage plus pratiques des accessoires ou des outils, des rails intégrés sont situés de chaque côté de la machine pour y fixer des courroies ou autres moyens de fixation. Une courroie flexible et des crochets sont inclus au dos de la machine pour attacher le tuyau d'aspiration ou le câble. Consultez le guide de référence rapide pour plus d'instructions.

Une plaque d'adaptateur facultative²⁾ avec un système de fixation peut être installé au sommet de la machine pour fixer des étuis de rangement à 2 ou 4 points.

Retirez la fiche de la prise avant d'installer la plaque d'adaptateur.

¹⁾Accessoires en option / Option dépendant du modèle
Traduction du mode d'emploi d'origine

ATTENTION¹⁾

Ne soulevez pas la machine dans la plaque d'adaptateur sans que l'étui de rangement soit bien installé. Notez le poids et l'équilibre de l'appareil en cas de rangement. Le poids maximum des étuis de stockage est de 30 kg.

4.5 Recyclage de la machine

Mettez l'ancienne machine hors d'usage.

1. Débranchez la machine.
2. Couper le cordon d'alimentation.
3. Ne pas jeter les appareils électriques avec les déchets domestiques.



Comme précisé dans la Directive Européenne 2012/19/EU sur les appareils électriques et électroniques usagés, les équipements électriques usés doivent être collectés séparément et recyclés de manière écologique.

5 Maintenance**5.1 Maintenance et inspection régulières**

La machine doit être maintenue et inspectée régulièrement par du personnel agréé conformément à la législation et aux réglementations en vigueur. Il y a lieu en particulier d'effectuer des tests électriques fréquents concernant la continuité à la terre, la résistance d'isolation et l'état du cordon.

En cas de défaut, la machine DOIT être mise hors service, contrôlée entièrement et réparée par un technicien agréé.

Au moins une fois par an, il faut faire effectuer une inspection technique, y compris des filtres, de l'échanchéité à l'air et des mécanismes de contrôle, par un technicien Makita.

5.2 Maintenance

Retirez le câble d'alimentation de la prise de courant pendant la maintenance. Avant d'utiliser l'aspirateur, veillez à ce que la tension affichée sur la plaque signalétique corresponde à la tension de l'alimentation secteur.

La machine est conçue pour une utilisation intensive et continue. Selon le nombre d'heures de fonctionnement, le filtre à poussière doit être remplacé. Nettoyez la machine propre avec un chiffon sec et une petite quantité de vernis pulvérisé.

Pendant les opérations de maintenance et de nettoyage, il faut toujours manipuler la machine de sorte à ce qu'il ne représente aucun danger pour l'équipe de maintenance ou les autres personnes.

Dans la zone de maintenance

- Utiliser une ventilation filtrée.
- Porter des vêtements de protection.
- Nettoyer la zone de maintenance afin qu'aucune substance dangereuse ne s'en échappe.

Pendant les travaux de maintenance et de réparation, toutes les pièces contaminées ne pouvant pas être nettoyées correctement doivent être :

- Emballées dans des sacs bien hermétiques
- Éliminés de façon conforme aux réglementations en vigueur relatives à l'élimination des déchets.

Pour plus de détails sur le service après-vente, contactez votre distributeur ou le représentant commercial Makita de votre pays. Voir verso du présent document.

6 Informations complémentaires**6.1 Déclaration de conformité CE**

Nous certifions par la présente que la machine spécifiée ci-après répond de par sa conception et son type de construction ainsi que de par la version que nous avons mise sur le marché aux prescriptions fondamentales stipulées en matière de sécurité et d'hygiène par les directives européennes en vigueur. Toute modification apportée à la machine sans notre accord rend cette déclaration invalide.

Produit : Aspirateur à sec et par voie humide
Type : VC4210L

Directives européennes en vigueur :
2006/42/CE, 2014/30/UE, 2011/65/UE

Normes harmonisées appliquées :
EN 60335-1:2012+A11:2014
EN 60335-2-69:2012
EN 55014-1:2006+A1:2009+A2:2011
EN 55014-2:2015
EN 61000-3-2:2014
EN 61000-3-3:2013
EN 50581:2012

Responsable de la documentation :
Makita Europe N.V., Jan-Baptist Vinkstraat 2,
3070 Kortenbergh, Belgium

26.06.2019
Hiroshi Tsujimura
Director - Makita Europe N.V.
Makita Europe N.V., Jan-Baptist Vinkstraat 2,
3070 Kortenbergh, Belgium

6.2 Caractéristiques techniques

Makita VC4210L						
	EU / FR / RU	AU / NZ	CH	GB	CA / US / MX	
Tension	220-240	220-240	220-240	220-240	110-120	
Fréquence du secteur	Hz	50/60			50/60	
Puissance absorbée	W	1200			890 / 7,4 A	
Puissance connectée pour la prise intégrée	W	2400	1100	1700	550 / 4,6 A	
Puissance connectée totale	W	3600	2300	2900	1440 / 12 A	
Protection par fusible	A	16	10	13	15	
Débit volumétrique (Air) max. ^{*)}	l/min (m ³ /h)		4500 (270)		4200 (252)	
Dépression	mbar (hPa)		250 (250)		230 (230)	
Niveau sonore de la surface de référence mesuré (IEC 60335-2-69)	dB(A)		68 ±2			
Bruit de travail	dB(A)		60 ±2			
Vibration transmise au système main-bras	m/s ²		<2,5			
Cordon longueur	m		7,5			
Cordon type			H05RN-F 3G1,00 mm ²	H07RN-F 3G1,5 mm ²	SJTWA 3AWG16	
Classe de protection			I			
Type de protection			IPX4			
Antiparasitage			EN 55014-1			
Classe de poussières			L			
Volume de la cuve	max.		42 (9,2 / 11,1)			
	poussière		34 (7,5 / 9,0)			
	eau		30 (6,6 / 8,9)			
Largeur	mm (in)		385 (15,2)			
Profondeur	mm (in)		575 (22,6)			
Hauteur	mm (in)		605 (23,8)			
Poids avec accessoires (nets, dans l'application la plus courante)	kg (lb)		16,0 (35,3)			

* mesuré au niveau de la turbine
Ces spécifications et détails sont susceptibles d'être modifiés sans préavis.

Guía rápida de referencia

Elementos funcionales

- 1 Gancho para la manguera
- 2 Asa
- 3 Posiciones de los accesorios
- 4 Control de velocidad
- 5 Interruptor
- 6 Castor
- 7 Contenedor
- 8 Conector de entrada
- 9 Pestillo
- 10 Enchufe del aparato

Guía rápida de referencia gráfica

La guía rápida de referencia gráfica está diseñada para ayudarle a poner en marcha, operar y almacenar la unidad. La guía se divide en 4 secciones, que están representados por símbolos:

A



Antes de empezar

LEA PRIMERO EL MANUAL DE INSTRUCCIONES

- A1** - Desempaquetar los accesorios
- A2** - Instalación de la bolsa del filtro
- A3** - Instalación de la bolsa de residuos
- A4** - Inserción de la manguera y funcionamiento
- A5** - Colocación de los accesorios
- A6** - Instalación de la placa del adaptador
- A7** - Instalación del mango del trolley

B



Control / Funcionamiento

- B1** - Sistema AutoClean de limpieza del filtro
- B2** - Almacenamiento del cable y la manguera

C



Conectar dispositivos eléctricos

- C1** - Adaptación de la herramienta de alimentación

D



Mantenimiento

- D1** - Sustitución de la bolsa del filtro
- D2** - Sustitución de la bolsa de residuos
- D3** - Sustitución del filtro
- D4** - Limpieza del difusor del aire de refrigeración del motor
- D5** - Limpieza de las juntas y el flotador

Índice

1 Instrucciones de seguridad	87
1.1 Símbolos que se usan para indicar instrucciones	87
1.2 Instrucciones de uso	87
1.3 Propósito y uso	87
1.4 Conexión eléctrica.....	87
1.5 Alargador.....	88
1.6 Garantía	88
1.7 Advertencias importantes.....	88
2 Riesgos	89
2.1 Componentes eléctricos.....	89
2.2 Polvo peligroso.....	90
2.3 Piezas de repuesto y accesorios	90
2.4 Atmósferas explosivas o inflamables	91
3 Control / Funcionamiento	91
3.1 Puesta en marcha y funcionamiento de la máquina.....	91
3.2 Toma de encendido/apagado automático para herramientas eléctricas.....	91
3.3 AutoClean	91
3.4 Conexión antiestática ¹⁾	92
3.5 Filtro del aire de refrigeración	92
3.6 Recogida en húmedo	92
3.7 Recogida en seco	92
4 Después de usar la máquina	93
4.1 Después de usar	93
4.2 Transporte	93
4.3 Almacenamiento	93
4.4 Almacenamiento de accesorios y herramientas	93
4.5 Reciclar la máquina.....	93
5 Mantenimiento	93
5.1 Inspección y mantenimiento regular	93
5.2 Mantenimiento.....	94
6 Información adicional	94
6.1 Declaración de conformidad de la UE.....	94
6.2 Especificaciones	95

1 Instrucciones de seguridad



Este documento contiene la información de seguridad del aparato junto con una guía de referencia rápida. Antes de utilizar por primera vez la máquina debe leer cuidadosamente este manual. Guarde las instrucciones para poder consultarlas.

Incluido en la versión para venta en E.E.U.U.: Instrucciones de seguridad para la aspiradora incluyen instrucciones en caso de fuego, descarga eléctrica o daño corporal.

Asistencia adicional

Puede encontrar más información sobre el aparato en nuestro sitio web www.makita.com.

Para cualquier consulta, póngase en contacto con el representante de servicio de Makita en su país.

Consulte el reverso de este documento.

1.1 Símbolos que se usan para indicar instrucciones

PELIGRO



Peligro de que conduce directamente a lesiones graves o irreversibles, o incluso la muerte.

ADVERTENCIA



Peligro de que conduce directamente a lesiones graves o incluso la muerte.

PRECAUCIÓN



Peligro que puede provocar lesiones y daños.

1.2 Instrucciones de uso

Consideraciones sobre el aparato:

- sólo deben usarlo personas que conocen su uso y tienen la tarea de utilizarlo
- siempre debe funcionar bajo supervisión

Esta máquina no está diseñada para su uso por personas (incluidos niños) con facultades físicas, psíquicas o sensoriales reducidas, o falta de experiencia y conocimiento.

Debe controlarse que los niños no jueguen con el aparato.

Evite las técnicas de trabajo inseguras.

No debe utilizarse nunca el aparato sin filtro.

Apague el aparato y desconecte el enchufe de la red eléctrica en las siguientes situaciones:

- Antes de proceder a la limpieza y el mantenimiento
- Antes de sustituir piezas
- Antes de cambiar el aparato
- Si se forma espuma o sale líquido

Además de las instrucciones de funcionamiento y las normas de prevención de accidentes aplicables en el país de uso, aplique las normas generales sobre seguridad y uso adecuado.

Antes de empezar a trabajar, el personal técnico debe tener conocimientos y formación en:

- uso de la máquina
- riesgos asociados con el material que se va a recoger
- eliminación segura del material recogido

1.3 Propósito y uso

Este extractor móvil de polvo está diseñado, desarrollado y probado rigurosamente para funcionar de manera eficiente y segura cuando su mantenimiento es correcto y se utiliza de acuerdo con las siguientes instrucciones.

Esta máquina es adecuada para uso industrial, como plantas, obras de construcción y talleres.

Esta máquina también es adecuada para uso comercial, por ejemplo, en hoteles, escuelas, hospitales, fábricas, tiendas, oficinas y locales de alquiler.

Los accidentes debidos al mal uso sólo pueden evitarse los usuarios de la máquina.

LEA Y SIGA LAS INSTRUCCIONES DE SEGURIDAD.

El aparato es adecuado para recoger polvo seco no inflamable y líquidos.

Cualquier otra utilización se considerará uso indebido. El fabricante no se responsabiliza de los daños causados por un uso inadecuado. El riesgo para tal uso está cubierto exclusivamente por el usuario. El uso adecuado incluye también una operación correcta y realizar el mantenimiento y las reparaciones según lo especificado por el fabricante.

El aparato es adecuado para recoger polvo seco no inflamable y líquidos, y polvo peligroso con valores OEL (Límite de Exposición Ocupacional) > 1 mg/m³. Polvo de clase L (IEC 60335-2-69).



Para las máquinas destinadas a polvo de clase L, el material del filtro se somete a prueba. El grado máximo de permeabilidad es 1 % y no hay ningún requisito especial para su eliminación.

Para extractores de polvo se debe garantizar una adecuada tasa L de cambio de aire cuando el aire

de salida se devuelve a la habitación. Tenga en cuenta las normativas nacionales antes de usar.

1.4 Conexión eléctrica

Se recomienda conectar la máquina mediante un interruptor diferencial de corriente residual.

Compruebe las piezas eléctricas (enchufes, conexiones y conectores) y el alargador para garantizar que mantienen el aislamiento.

Los acoplamientos y los conectores de los cables de alimentación y los alargadores deben ser herméticos.

1.5 Alargador

Como cable alargador utilice únicamente la versión especificada por el fabricante o uno de mayor calidad.

Cuando utilice un alargador, compruebe las secciones transversales del cable:

Longitud del cable	Sección transversal	
	< 16 A	< 25 A
hasta 20 m	1,5 mm ²	2,5 mm ²
20 a 50 m	2,5 mm ²	4,0 mm ²


1.6 Garantía

Nuestras condiciones generales se aplican a la garantía.

Las modificaciones no autorizadas en el aparato, el uso incorrecto de los cepillos, además de utilizar el aparato de forma distinta a su finalidad, eximen al fabricante de cualquier responsabilidad por los daños causados.

1.7 Advertencias importantes

ADVERTENCIA

 Para reducir el riesgo de incendios, descargas eléctricas o lesiones, lea y siga todas las instrucciones de seguridad y las indicaciones de precaución antes de su uso. Esta máquina está diseñada para ser segura cuando se usa para limpiar según se especifica. En caso de producirse daños a las piezas eléctri-

cas o mecánicas, la máquina y sus accesorios deben ser reparados por un servicio técnico cualificado o por el fabricante antes de volver a usarlos con el fin de evitar mayores daños a la máquina o lesiones al usuario.

No deje la máquina cuando esté enchufada. Desconéctela cuando no esté en uso y antes de realizar su mantenimiento.

El aparato sólo debe usarse en exteriores ocasionalmente.

No lo utilice si el cable o el enchufe está dañado. Para desenchufar, sujete el enchufe, no el cable. No toque el enchufe ni la máquina con las manos mojadas. Apague todos los controles antes de desenchufar.

No tire del cable ni transporte el aparato tirando de él, no use el cable como asa, no cierre una puerta sobre el cable ni lo esponga a bordes o esquinas afiladas. No encienda la máquina sobre el cable. Mantenga el cable lejos de superficies calientes.

Mantenga el cabello, la ropa suelta, los dedos y todas las

partes del cuerpo lejos de las aberturas y piezas móviles.

No coloque ningún objeto en las aberturas ni use el aparato con la apertura bloqueada. Mantenga las aberturas libres de polvo, pelusas, pelos y cualquier objeto que pueda reducir el flujo de aire.

No utilizar en zonas exteriores a baja temperatura.

No la use para recoger líquidos inflamables o combustibles tales como gasolina, ni en áreas donde puedan estar presentes.

No recoja nada que se esté quemando o desprenda humo, como cigarrillos, cerillas o cenizas calientes.

Tenga especial cuidado al limpiar escaleras.

No lo utilice a menos que los filtros estén instalados.

Si la máquina no funciona correctamente o se ha caído, dañado, dejado en el exterior o caído al agua, envíelo a un centro de servicio técnico o a su distribuidor.

Si hay un escape de espuma o líquido de la máquina, apáguela inmediatamente

La máquina no puede utilizarse como una bomba de agua. La máquina está diseñada para aspirar mezclas de aire y agua.

Conecte la máquina a una fuente de alimentación con conexión a tierra. La toma de corriente y alargador deben tener un conductor de protección.

Disponga de buena ventilación en el lugar de trabajo.


No utilice la máquina como una escalera. La máquina puede volcar y dañarse. Peligro de lesión.

Utilice únicamente la toma de corriente en la máquina para los fines especificados en las instrucciones.

2 Riesgos

2.1 Componentes eléctricos


PELIGRO

 La sección superior de la máquina contiene componentes activos.

El contacto con componentes bajo tensión puede ocasionar lesiones graves o incluso mortales.

1. No salpique con agua la parte superior de la máquina.

PELIGRO

 Se puede producir electrocución por una mala conexión.

Tocar un cable eléctrico defectuoso puede provocar lesiones graves o incluso mortales.

1. Procure no dañar el cable de alimentación, por ejemplo, al pasarle por encima, tirando de él o aplastándolo.
2. Compruebe regularmente si el cable de alimentación eléctrica está dañado o presenta signos de envejecimiento.
3. Si el cable de alimentación está dañado debe sustituirlo un distribuidor autorizado de Makita o personas cualificadas para evitar cualquier riesgo.
4. En ningún caso debe permitirse que el cable de la fuente de alimentación envuelva los dedos de las manos ni cualquier parte del cuerpo de los operadores.

2.2 Polvo peligroso

ADVERTENCIA

 Materiales peligrosos.

Aspirar materiales peligrosos puede causar lesiones graves o incluso mortales.

1. Con esta máquina no deben recogerse los materiales siguientes:
 - Materiales calientes (cigarrillos encendidos, brasas calientes, etc.)
 - Líquidos inflamables, explosivos o corrosivos (como petróleo, disolventes, ácidos, álcalis, etc.)
 - Polvo inflamable o explosivo (por ejemplo magnesio o polvo de aluminio, etc.)

2.3 Piezas de repuesto y accesorios

PRECAUCIÓN

 Piezas de repuesto y accesorios.

El uso de repuestos, cepillos y accesorios no originales puede comprometer la seguridad del aparato.

1. Utilice sólo piezas de repuesto y accesorios de Makita. Las piezas de repuesto que pueden afectar a la salud y la seguridad del operador y al funcionamiento del aparato, se especifican a continuación:

Descripción	Nº de pedido
Filtro PTFE plano, 1 unidad.	W107418351
Bolsa de filtro de pelusa, 5 unidades.	W107418353
Bolsa de residuos, 5 unidades.	W107418355
Filtro PET del aire de refrigeración del motor, 1 unidad.	W107418352

2.4 Atmósferas explosivas o inflamables

PRECAUCIÓN



Esta máquina no es adecuada para usar en atmósferas explosivas o inflamables, o donde la atmósfera pueda provenir de líquidos volátiles o gases o vapores inflamables.

3 Control / Funcionamiento

PRECAUCIÓN



Se pueden producir daños debido a una tensión de alimentación inadecuada.

El aparato puede resultar dañado como resultado de estar conectado a una tensión inadecuada.

1. Asegúrese de que la tensión que aparece en la placa indicadora corresponde con la de la fuente de alimentación.

3.1 Puesta en marcha y funcionamiento de la máquina

1. Compruebe que el interruptor eléctrico está apagado (en la posición 0).
2. Compruebe que los filtros adecuados están instalados en la máquina.
3. A continuación, conecte la manguera de aspiración en la boca de aspiración tirando del tubo flexible hacia adelante hasta que encaje firmemente en su lugar en la toma.
4. A continuación, conecte los dos en el mango, gire los tubos con el fin de garantizar que estén correctamente ajustados.
5. Coloque una boquilla adecuada para el tubo. Elija la boquilla en función del tipo de material que se va a recoger.
6. Si se utiliza para la extracción de polvo junto con la herramienta de producción de polvo, conecte el extremo de la manguera de aspiración con un adaptador apropiado.
7. Conecte el enchufe en una toma de corriente adecuada.
8. Coloque el interruptor eléctrico en la posición I para arrancar el motor.

	Posición I: Activa la máquina
	Posición 0: Detiene la máquina. Alimentación constante en el enchufe
	Posición AUTO: Activa el encendido/apagado automático funcionamiento
	Posición I+: Activa la máquina con la función de limpieza del filtro desactivada
	Posición AUTO+: Activa la función de encendido/apagado automático con la función automática de limpieza del filtro desactivada
	Operación de control de velocidad en la perilla de ajuste separada

3.2 Toma de encendido/apagado automático para herramientas eléctricas

PRECAUCIÓN



Toma del aparato.

La toma del aparato está diseñada para equipos auxiliares eléctricos; ver datos técnicos de referencia.

1. Antes de conectar un aparato, apague la máquina y el aparato que se va a conectar.
2. Lea las instrucciones de funcionamiento del aparato que se va a conectar y las indicaciones de seguridad.

La máquina incluye una toma de corriente con contacto de puesta a tierra. Sirve para conectar una herramienta eléctrica. La toma dispone de alimentación permanente cuando el interruptor eléctrico está en posición 0, es decir, la máquina se puede utilizar como cable de extensión.

En la posición AUTO la máquina se puede conectar y desconectar mediante la herramienta de alimentación conectada. La suciedad se recoge inmediatamente. Para cumplir con las regulaciones, solamente se deben conectar herramientas aprobadas.

El consumo máximo de energía del dispositivo eléctrico conectado se indica en la sección "Especificaciones".

Antes de poner el interruptor en la posición AUTO asegúrese de que la herramienta conectada a la toma del aspirador está apagada.

3.3 AutoClean

La máquina está equipada con un sistema automático de limpieza del filtro. Un ciclo de limpieza

frecuente durante la operación asegura el que el rendimiento de la aspiradora es máximo.

Si el rendimiento de la aspiradora disminuye o en aplicaciones con mucho polvo, se recomienda una operación manual de limpieza del filtro:


1. Apague la máquina.
2. Cierre las boquillas o la apertura del tubo de succión con la palma de la mano.
3. Ponga el interruptor en posición "I" y deje que la máquina funcione durante unos 10 segundos con la apertura de la manguera de aspiración cerrada.

Si la potencia de succión no aumenta, retire el filtro y límpielo mecánicamente o reemplácelo.

Para ciertas aplicaciones, como recogida en mojado, se recomienda apagar el sistema de limpieza automática del filtro. Consulte el capítulo 3.1.

3.4 Conexión antiestática¹⁾

PRECAUCIÓN

 La máquina está equipada con un sistema antiestático para descargar la electricidad estática que puede generarse durante la recogida del polvo.

El sistema antiestático se coloca en la parte frontal de la parte superior del motor y crea una conexión a tierra con la toma del recipiente.

Para un funcionamiento apropiado se recomienda el uso de una manguera de aspiración eléctricamente conductora o antiestática.


1. Al insertar la bolsa de residuos opcional compruebe que se mantiene la conexión antiestática.

3.5 Filtro del aire de refrigeración

Para proteger la electrónica y el motor, la máquina está equipada con un difusor de aire de refrigeración. Limpie con regularidad el difusor de aire de refrigeración.

Para zonas con una alta concentración de polvo fino en el aire circundante se recomienda equipar la máquina con un cartucho de filtro de aire de refrigeración opcional para evitar que el polvo se asiente dentro de los canales de aire y el motor. Póngase en contacto con su representante de ventas.


PRECAUCIÓN

 Si el filtro de aire de refrigeración está obstruido por el polvo, se puede activar el interruptor de protección de sobrecarga del motor.

1. En tal caso, apague la máquina, limpie el filtro de aire de refrigeración y deje que la máquina se enfríe durante unos 5 minutos.

3.6 Recogida en húmedo

PRECAUCIÓN

 La máquina está equipada con un sistema de flotación que la apaga cuando el nivel de líquido es máximo.

1. Cuando esto ocurre, apague la máquina.
2. Desconecte la máquina de la toma y vacíe el depósito.
3. Nunca recoja líquidos si no están colocados el limitador del nivel de agua y el filtro.
4. No absorba líquidos inflamables
5. Antes de recoger líquidos, retire siempre la bolsa del filtro/polvo para comprobar que el limitador del nivel de agua funciona correctamente.
6. Si se forma espuma detenga la operación y vacíe el depósito.
7. Limpiar de forma regular el nivel de agua que limita el dispositivo y compruebe si hay daños.

Antes de vaciar el depósito, desenchufe la máquina. Desconecte la manguera de la toma tirando de la manguera. Suelte el pestillo tirando hacia afuera de modo que se libere la parte superior del motor. Levante la parte superior del motor desde el depósito. Siempre vacíe y limpie el depósito y el limitador del nivel de agua después de recoger líquidos.


Para vaciar el depósito inclínelo hacia atrás o hacia los lados y vierta el líquido en un desagüe en el suelo o similar.

Vuelva a colocar la parte superior de motor en el depósito. Fije la parte superior del motor con los pestillos.

Las maniobras pesadas pueden, por error, activar el limitador del nivel de agua. Si esto sucediera; apague la máquina y espere 3 segundos para reiniciar el dispositivo. Continúe para operar la máquina después.

3.7 Recogida en seco

PRECAUCIÓN

 Se debe tener precaución al recoger materiales peligrosos para el medioambiente.

Los materiales recogidos pueden constituir un peligro para el medioambiente.

1. Deseche los residuos según la normativa.

Quite el conector eléctrico de la toma antes de vaciar después de una recogida en seco. Suelte el pestillo tirando hacia afuera de modo que se libere la parte superior del motor. Levante la parte superior del motor desde el depósito.

Filtro: Compruebe los filtros. Para limpiar el filtro, puede agitarlo, cepillarlo o lavarlo. Espere hasta que el filtro esté seco antes de volver a recoger polvo.

Bolsa para el polvo: compruebe la bolsa para asegurar el factor de relleno. Sustituya la bolsa si es necesario. Extraer la bolsa. La nueva bolsa se inserta pasando el cartón con la membrana de goma a través de la toma de vacío. Asegúrese de que la membrana de goma está más allá de la toma de vacío.

Después de vaciar: cierre la parte superior del motor en el depósito y fijela con los pasadores. No recoja nunca material seco sin filtro en la máquina. La eficacia de succión de la máquina depende del tamaño y la calidad del filtro y la bolsa para el polvo. Por lo tanto, utilice sólo filtros y bolsas para el polvo originales.

4 Después de usar la máquina

4.1 Después de usar

Retire el enchufe de la toma cuando la máquina no está en uso. Enrolle el cable desde la máquina. El cable de alimentación puede enrollarse alrededor de la parte superior del motor, en el depósito, colocarse en el gancho incluido o en el soporte de sujeción. Algunos modelos tienen lugares de almacenamiento especiales para los accesorios.

4.2 Transporte

1. Antes de transportar la máquina, cierre todos los pasadores.
2. No incline la máquina si hay líquido en el depósito de residuos.
3. No utilice un gancho de grúa para levantar la máquina.
4. No levante la máquina por el mango del trolley^{*)} o el mango de la MAKPAC-Box^{*)}.

4.3 Almacenamiento

PRECAUCIÓN



Guarde el aparato en un lugar seco y protegido de la lluvia y las heladas. La máquina debe almacenarse en el interior.

4.4 Almacenamiento de accesorios y herramientas

Para el transporte y el almacenamiento de accesorios o herramientas, la máquina dispone de raíles en el lateral que permiten la sujeción con correas u otros medios. Una correa flexible y ganchos se incluyen en la parte posterior de la máquina para fijar la manguera de aspiración o el cable de red. Para obtener instrucciones consulte la guía de referencia rápida.

Una adaptador opcional^{*)} con sistema de fijación se puede instalar en la parte superior de la máquina para fijar carcasas de almacenamiento de 2 o 4 puntos.

Quite el conector eléctrico de la toma antes de instalar el adaptador.

PRECAUCIÓN^{*)}



No levante la máquina en el adaptador sin haber colocado la carcasa de almacenamiento de forma segura. Tenga en cuenta el peso y el equilibrio del aparato en caso de almacenamiento. El peso máximo en la carcasa de almacenamiento es de 30 kg.

4.5 Reciclar la máquina

Inutilice la máquina.

1. Desconecte la máquina.
2. Corte el cable de alimentación.
3. No deseche los aparatos eléctricos con la basura doméstica.



Como determina la directiva europea 2012/19/UE sobre aparatos eléctricos y electrónicos, los aparatos usados deben desecharse separadamente y reciclarse de forma ecológica.

5 Mantenimiento

5.1 Inspección y mantenimiento regular

El mantenimiento y la inspección periódica de la máquina debe realizarlo personal cualificado de conformidad con la legislación y reglamentos pertinentes. En particular, las pruebas del sistema eléctrico de continuidad de tierra, resistencia de aislamiento y estado de los cables flexibles deben realizarse con frecuencia.

En caso de cualquier defecto, la máquina DEBE retirarse del servicio, revisarse completamente y enviarse a reparar por un servicio técnico autorizado.

Al menos una vez al año, un técnico de Makita o una persona con la formación adecuada debe realizar una inspección técnica que incluya filtros, presión del aire y mecanismos de control.

5.2 Mantenimiento

Retire el enchufe de la toma antes de realizar el mantenimiento. Antes de usar la máquina, asegúrese de que la frecuencia y la tensión que se indican en la placa de características corresponden con la tensión de la red.

La máquina está diseñada para funcionar de forma continua. Dependiendo de las horas de funcionamiento, deben recambiarse los filtros de polvo. Limpie la máquina con un paño seco y una pequeña cantidad de spray limpiador.

Durante el mantenimiento y la limpieza, maneje la máquina de manera tal que no haya peligro para el personal de mantenimiento ni para otras personas.

En el área de mantenimiento

- Use ventilación obligatoria filtrada
- Use ropa protectora.
- Limpie el área de mantenimiento de manera que no haya fuga de sustancias peligrosas al entorno.

Durante el mantenimiento y la reparación, todas las partes contaminadas que no pudieron limpiarse de manera satisfactoria deben ser:

- Embalsarse en bolsas selladas
- Desecharse según la normativa vigente de eliminación de residuos.

Para más información sobre el servicio postventa póngase en contacto con su distribuidor o el representante de Makita en su país. Consulte el reverso de este documento.

6 Información adicional

6.1 Declaración de conformidad de la UE

Por la presente declaramos que la máquina designada a continuación cumple, tanto en lo que respecta a su diseño y tipo constructivo como a la versión puesta a la venta por nosotros, las normas básicas de seguridad y sobre la salud que figuran en las directivas comunitarias correspondientes. La presente declaración perderá su validez en caso de que se realicen modificaciones en la máquina sin nuestro consentimiento explícito.

Producto: Aspirador para el empleo en mojado y seco

Modelo: VC4210L

Directivas comunitarias aplicables:
2006/42/CE, 2014/30/UE, 2011/65/UE

Normas armonizadas aplicadas:
EN 60335-1:2012+A11:2014
EN 60335-2-69:2012
EN 55014-1:2006+A1:2009+A2:2011
EN 55014-2:2015
EN 61000-3-2:2014
EN 61000-3-3:2013
EN 50581:2012

Persona autorizada para la documentación:
Makita Europe N.V., Jan-Baptist Vinkstraat 2,
3070 Kortenberg, Belgium



26.06.2019
Hiroshi Tsujimura
Director - Makita Europe N.V.
Makita Europe N.V., Jan-Baptist Vinkstraat 2,
3070 Kortenberg, Belgium

6.2 Especificaciones

Makita VC4210L						
	EU / FR / RU	AU / NZ	CH	GB	CA / US / MX	
Tensión nominal	220-240	220-240	220-240	220-240	110-120	
Frecuencia de la red		50/60			50/60	
Consumo de potencial		1200			890 / 7,4 A	
Consumo nominal para caja de enchufe del aparato	2400	1100	1100	1700	550 / 4,6 A	
Consumo de potencia	3600	2300	2300	2900	1440 / 12 A	
Fusibles de red	16	10		13	15	
Flujo volumétrico max. *)		4500 (270)			4200 (252)	
Depresión		250 (250)			230 (230)	
Nivel de intensidad acústica de superficie de medición (IEC 60335-2-69)			68 ±2			
Nivel de ruido durante el trabajo			60 ±2			
Vibración transmitida al sistema mano-brazo			<2,5			
Cable de alimentación: Largo			7,5			
Cable de alimentación: Tipo	H07RN-F 3G1,5 mm²	H05RN-F 3G1,00 mm²		H07RN-F 3G1,5 mm²	SJTW-A.3AWG16	
Categoría de protección			I			
Tipo de protección			IPX4			
Grado de perturbación por interferencias			EN 55014-1			
Clase de polvos			L			
Volumen de depósito	máx.		42 (9,2 / 11,1)			
	polvo		34 (7,5 / 9,0)			
	agua		30 (6,6 / 8,9)			
Ancho			385 (15,2)			
Profundidad			575 (22,6)			
Altura			605 (23,8)			
Peso incluido accesorios (net, lo más común)			16,0 (35,3)			

* medido en la turbina

Las especificaciones y los datos están sujetos a cambios sin previo aviso.

Makita Europe N.V., Jan-Baptist Vinkstraat 2, 3070 Kortenberg, Belgium
Makita Corporation Anjo, Aichi, Japan
www.makita.com

This manual was downloaded from

wet-dry-vac.com

The most comprehensive source of information about wet/dry shop vacuums on the Internet!

Wet-dry-vac.com allows you to learn about how to purchase a wet/dry vac, compare and review detailed specifications on hundreds of models, and find compatible filters.

You can also view manuals, parts lists and brochures for hundreds of models. Plus, you can find the best prices for vacuums and filters, and purchase online right from the site.

