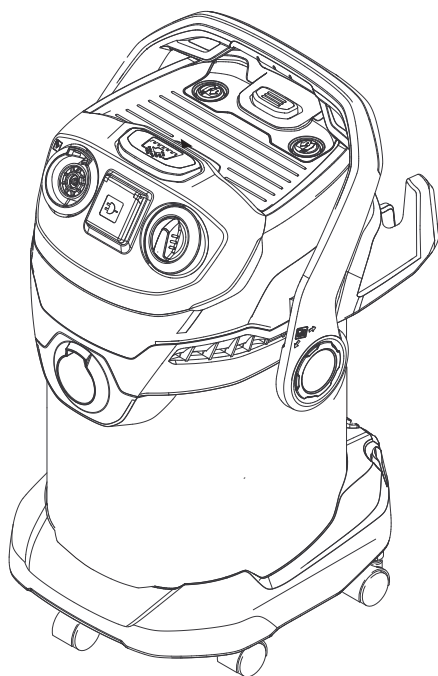


English. 2

Español. 20

Français. 40



MULTI-PURPOSE VACUUM CLEANER OPERATOR MANUAL

MULTI-PURPOSE VACUUM CLEANER OPERATOR MANUAL	2
IMPORTANT SAFETY INSTRUCTIONS	4
READ ALL INSTRUCTIONS BEFORE USING THIS APPLIANCE	4
SAVE THESE INSTRUCTIONS	5
GROUNDING INSTRUCTIONS	5
MODEL OVERVIEW	6
OPERATING INSTRUCTIONS	8
USING THE ACCESSORIES	15
CARE AND MAINTENANCE INSTRUCTIONS	16
TROUBLESHOOTING	19

Safety Alert Symbols

⚠ DANGER

Pointer to immediate danger, which leads to severe injuries or death.

⚠ WARNING

Pointer to a possibly dangerous situation, which can lead to severe injuries or death.

⚠ CAUTION

Pointer to a possibly dangerous situation, which can lead to minor injuries.

ATTENTION

Pointer to a possibly dangerous situation, which can lead to property damage.

Specifications

Voltage ~60 Hz	120	V
Power consumption	10	A
Max. connection output of socket	6	A
Container capacity	6,6 (25)	gal (l)
Water intake with handle	4,2 (16)	gal (l)
Water intake with floor nozzle	3,7 (14)	gal (l)
Power cord	3xAWG14SJTW	
Sound pressure level (EN 60704-2-1)	73	dB(A)
Weight (without accessories)	19,8 (9,0)	lbs (kg)
Part No.	1.348-197.0	

Subject to technical modifications!

Proper use

In accordance with the descriptions and the safety information in these operating instructions the appliance is intended for use as a multi-purpose vacuum cleaner.

This appliance has been designed for use in private households and is not intended for commercial use.

- Use indoors only.
- This device may not be used to suck in ash and soot.

Use the multi-purpose vacuum cleaner only with:

- Original filter bag.
- Original spare parts, accessories and special accessories.

The manufacturer is not responsible for any damages that may occur on account of improper use or wrong operations.

Owner/User Responsibility

The owner and/or user must have an understanding of the manufacturer's operating instructions and warnings before using this appliance.

Warning information should be emphasized and understood.

If the operator is not fluent in English, the manufacturer's instructions and warnings shall be read to and discussed with the operator in the operator's native language by the purchaser/owner, making sure that the operator comprehends its contents.

Owner and/or user must study and maintain for future reference the manufacturers' instructions.

Scope of delivery

The scope of delivery of your appliance is illustrated on the packaging. Check the contents of the appliance for completeness when unpacking.

In the event of missing accessories or any transport damage, please contact your dealer.

Customer Support USA and Canada

To register this product, please visit:

www.karcher-register.com

For technical support, go to:

www.karcher-help.com

If you need to file a warranty claim, please call: **1-800-537-4129**

You will need to fax or email your receipt to a customer service agent. All other information can be found at:

www.karcherresidential.com

Customer Support Mexico

Call: **01-800-024-13-13** for help or visit our website: **www.karcher.com.mx**

IMPORTANT SAFETY INSTRUCTIONS

When using this product basic precautions should always be followed, including the following:

READ ALL INSTRUCTIONS BEFORE USING THIS APPLIANCE

For household use only!

⚠ **WARNING**

To reduce the risk of fire, electric shock, or injury:

- DO NOT LEAVE appliance unattended when plugged in. Unplug from outlet when not in use and before servicing.
- Use indoors only.
- Do not allow to be used as a toy. Close attention is necessary when used by or near children.
- To prevent electric shock use only with a grounded outlet. See Grounding Instructions.
- Use only as described in this manual. Use only manufacturer's recommended attachments.
- Do not use with damaged cord or plug. If appliance is not working as it should, has been dropped, damaged, left outdoors, or dropped into water, return it to a service center.
- Do not pull or carry by the cord, do not use cord as a handle, do not close a door on the cord, or pull cord around sharp edges or corners. Do not run appliance over cord. Keep cord away from heated surfaces.
- Do not unplug by pulling cord. To unplug, grasp plug.
- Never touch the mains plug with wet hands.
- Use extra care when cleaning on stairs.
- Turn off all controls before unplugging.
- Never immerse the appliance in water or other liquids.
- The appliance must be level and on the floor during use.
- The appliance may not be operated in explosive atmospheres.
- Do not service the appliance when it is plugged in.
- Do not put any objects into openings. Do not use if openings are blocked; keep free of dust, lint, hair, and anything that may reduce air flow.
- Do not use to pick up flammable or combustible liquids, such as gasoline, or use in areas where they may be present.
- Do not pick up anything that is burning or smoking such as cigarettes, matches or hot material.
- Keep hair, loose clothing, fingers, and all parts of the body away from openings and moving parts.
- Wear eye protection when operating blower.
- Do not vacuum or use blower near toxic or health endangering materials such as asbestos, pesticides, fertilizers, or anything that is poisonous.
- Do not vacuum explosive dusts or use cleaner or blower in areas that

may contain explosive substances such as coal, grain, or any other fine, combustible material.

- Avoid picking up hard, sharp objects with the cleaner. They may damage the cleaner and the filter.
- Do not use without filter and/or dust bag in proper place.

SAVE THESE INSTRUCTIONS

GROUNDING INSTRUCTIONS

This product must be grounded. If it should malfunction or breakdown, grounding provides a path of least resistance for electric current to reduce the risk of electric shock. This product is equipped with a cord having an equipment-grounding conductor for a grounding plug. The plug must be plugged into an appropriate outlet that is properly installed and grounded in accordance with all local codes and ordinances.

⚠ **WARNING**

Improper connection of the equipment-grounding conductor can result in a risk of electric shock.

Check with a qualified electrician or service person if you are in doubt as to whether the outlet is properly grounded.

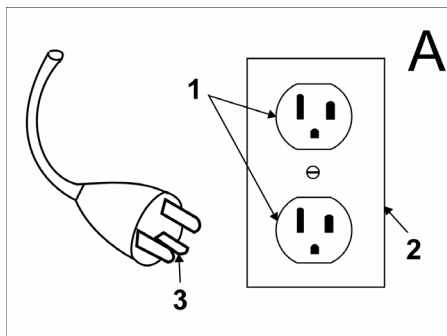
Do not modify the plug provided with the appliance.

If it will not fit the outlet, have a proper outlet installed by a qualified electrician.

This appliance is for use on a nominal 120-volt circuit, and has a grounded

plug that looks like the plug illustrated in Fig.A.

Make sure that the appliance is connected to an outlet having the same configuration as the plug. No adaptor should be used with this appliance.

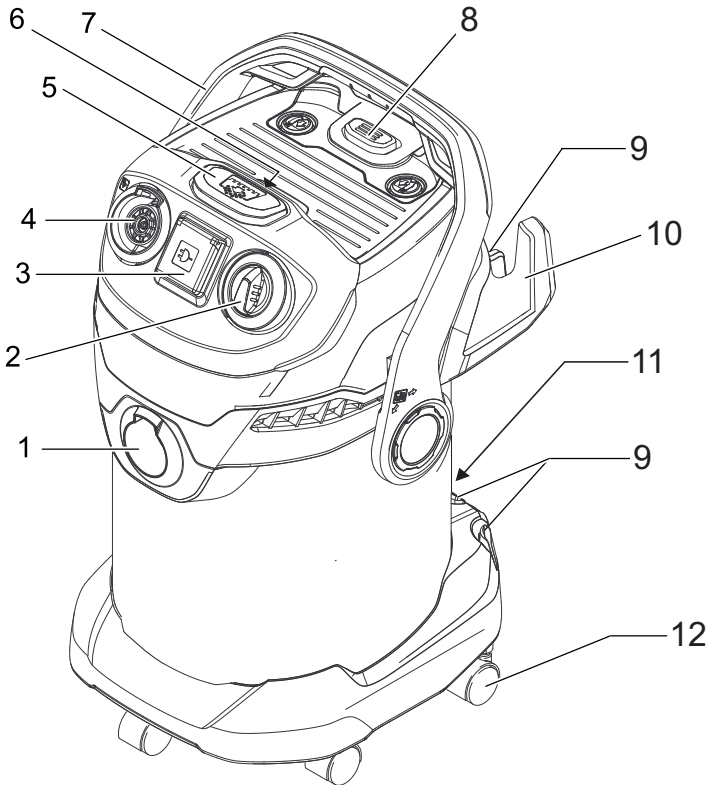


- 1 Grounded outlet
- 2 Grounded outlet box
- 3 Grounded pin

If an extension cord is absolutely necessary, an extension cord rated a minimum of 15 ampere 14 gauge cord should be used. Cords rated for less amperage may overheat. Care should be taken to arrange the cord so it cannot be pulled or tripped over.

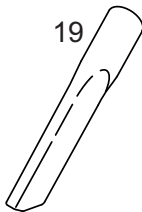
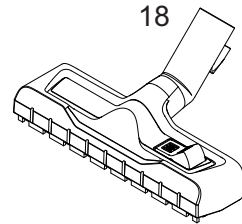
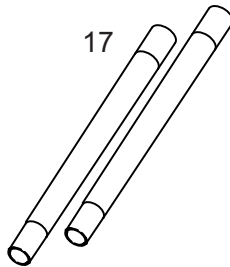
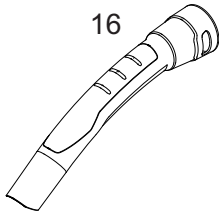
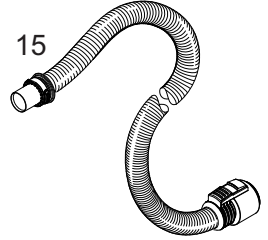
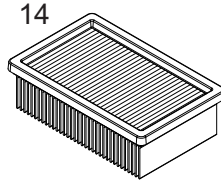
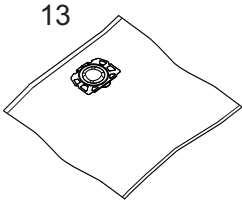
MODEL OVERVIEW

- | | | | |
|---|-----------------------------|----|----------------------------|
| 1 | Suction hose connection | 8 | Filter box and release key |
| 2 | ON/OFF switch for appliance | 9 | Accessory mount |
| 3 | Machine socket | 10 | Cable hook |
| 4 | Blowing connection | 11 | Parking position |
| 5 | Filter cleaning button | 12 | Steering roller |
| 6 | Recessed grip | | |
| 7 | Carry handle | | |



Accessories

- | | | | |
|----|------------------------------------|----|--|
| 13 | Filter bag | 18 | Floor nozzle
(with switching lever) |
| 14 | Flat fold filter | 19 | Crevice nozzle |
| 15 | Suction hose with connecting piece | 20 | Adapter |
| 16 | Removable handle | | |
| 17 | Suction tubes 2 x 0.5 m | | |

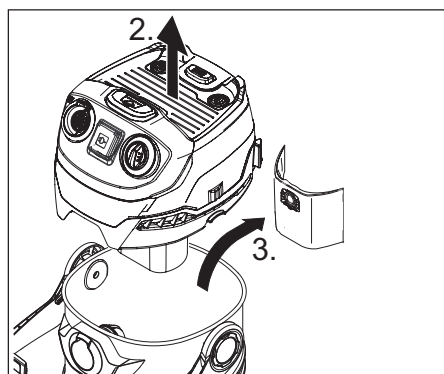
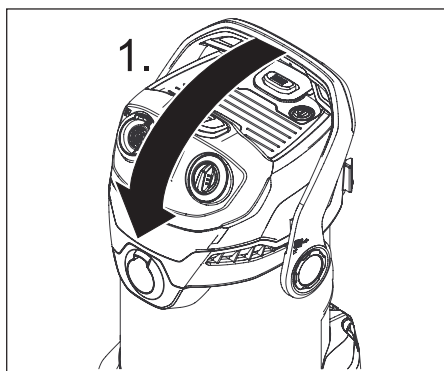


OPERATING INSTRUCTIONS

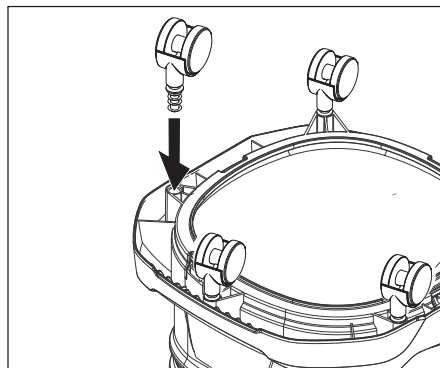
ASSEMBLY INSTRUCTIONS

Note

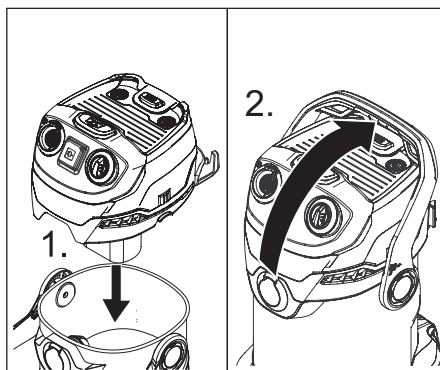
- The carrying handle is also used to lock the appliance head and the container. To unlock, push the bow all the way forward until you clear the lock.
- After unlocking it, grab the appliance head by the handle recess and remove it.
- ➔ Remove the appliance head and take the contents out of the container.



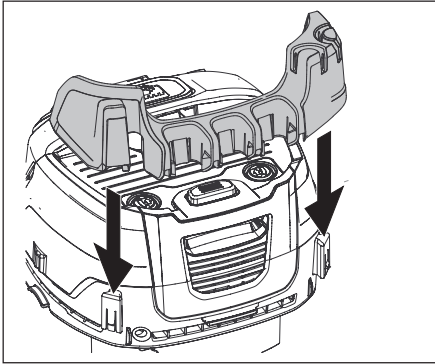
- ➔ Turn the container, press in the steering roller in the openings at the base of the container till the end-point.



- ➔ Insert and lock the appliance head.

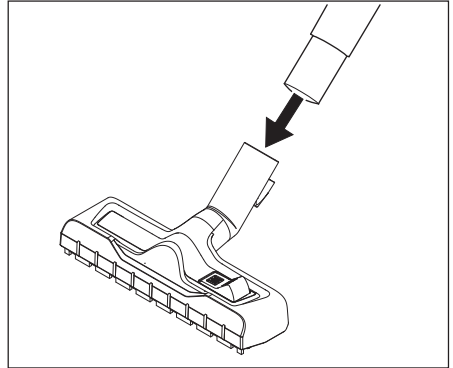


- ➔ Clip the holder for the accessory compartment onto the rear side of the appliance.



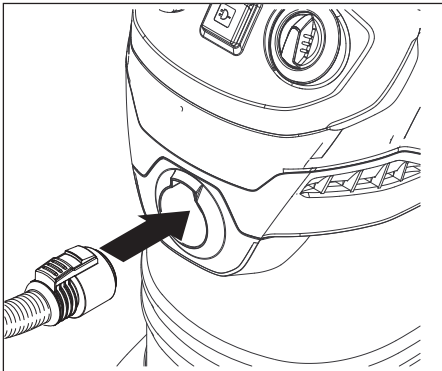
→ Push the suction hose into the connection on the appliance, it snaps in place.

→ Connect the floor nozzle with the suction tubes.

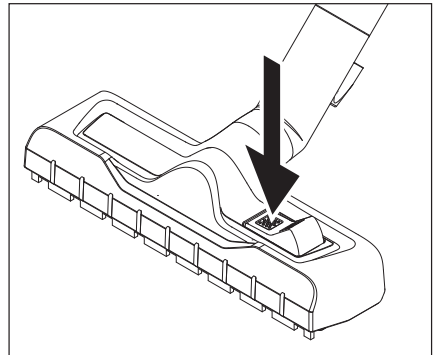


For convenient switching between dry and wet dirt:

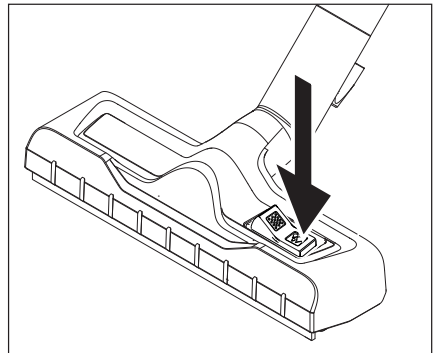
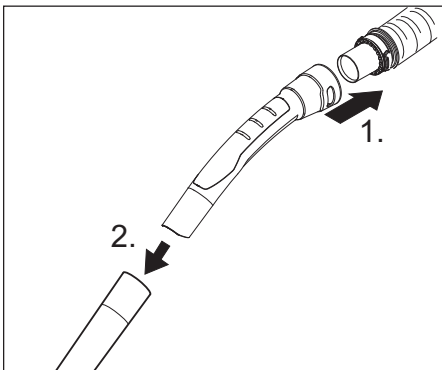
→ For vacuuming dry dirt off the floor, use position with extended brush strips.



→ Connect the handle with the suction hose until it snaps in place.
→ Put both suction tubes together and connect them with the handle.



→ For vacuuming water off the floor, use position with extended rubber lips.



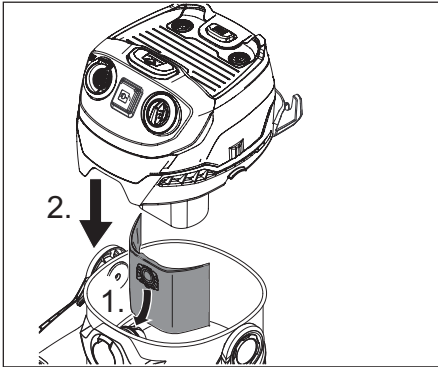
Dry vacuum cleaning

ATTENTION

Work with a dry flat fold filter only. Check the filter for damage prior to installation and replace as necessary. Vacuum cold ashes only when using a pre-filter.

Order no. basic design: 2.863-139.0, premium design: 2.863-161.0.

→ For vacuuming dry dirt an additional filter bag can be inserted if necessary.



ATTENTION

Only operate the filter cleaning without a filter bag inserted, otherwise the filter bag can get damaged.

Wet vacuum cleaning

⚠ WARNING

Immediately switch the appliance off or pull the power plug if foam forms or liquids escape!

Note: Do not use a filter bag for wet vacuuming!

Note: If the container is full, a float closes the suction opening, and the appliance works at a higher speed. Switch off the appliance immediately, and empty the container.

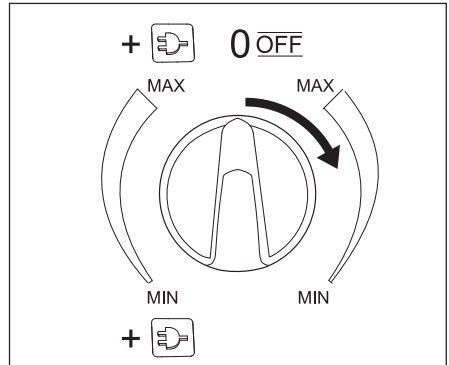
→ For vacuuming up moisture or wetness pay attention to the correct floor nozzle setting and connect the corresponding accessories.

Turning on the Appliance

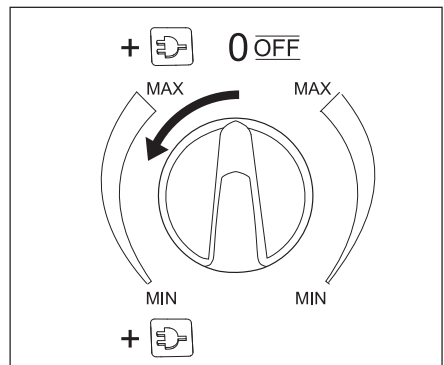
ATTENTION

Always work with an inserted flat fold filter - during wet as well as dry vacuum cleaning!

→ Insert the mains plug into a socket.
→ Turning on the Appliance
→ **Position MAX:** Vacuuming or blowing.



→ **Position + MAX:** Vacuuming with connected electric tool

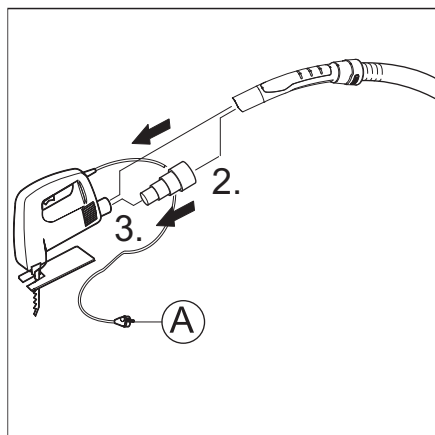
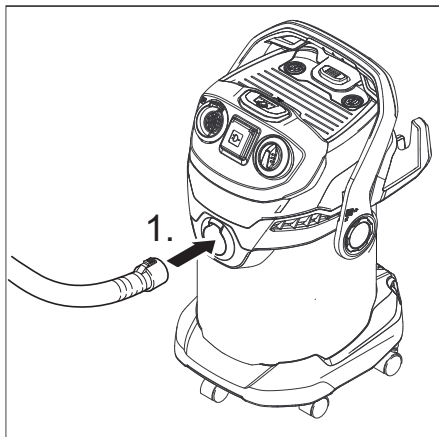


→ Performance regulation: Reduce the suction if necessary during vacuuming, blowing or when working with an electric tool.

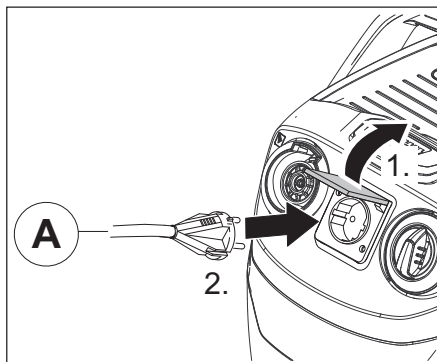
→ **Position 0:** The appliance is switched off. Electric tool is supplied with voltage.

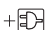
Working with electrical power tools

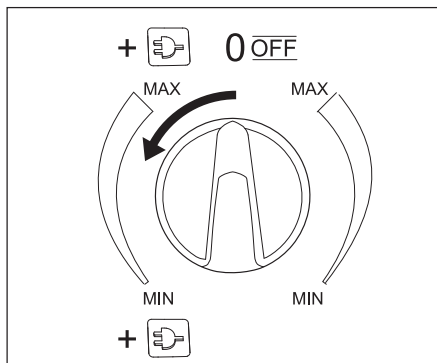
- Adapt the adapter to the connection diameter of the electric tool using a knife if necessary.
- Plug the enclosed adapter onto the handle of the suction hose and connect the electric tool with the connection.



→ Connect the mains plug of the electric power tool to the vacuum cleaner.



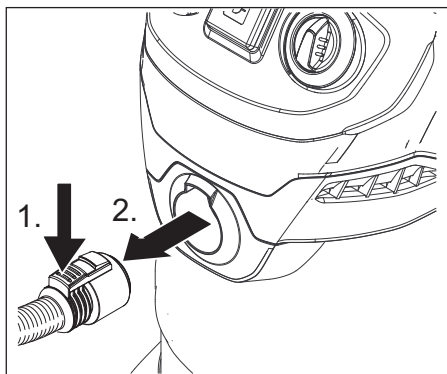
→ Switch the appliance on (move the rotary switch to the left to position +  MAX) and start working.



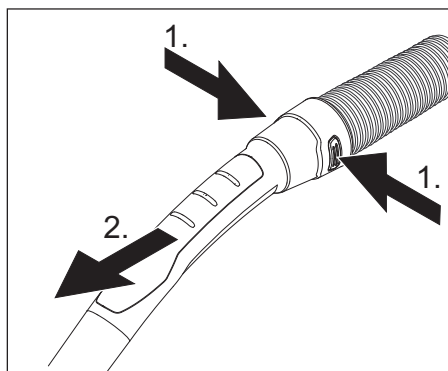
Note: As soon as the electric tool is switched on, the suction turbine starts with a 0.5 second delay. If the electric tool is switched off, the suction turbine continues to run for approx. 5 seconds in order to vacuum up the remaining dirt in the suction hose.

Removing the Accessories

- In order to disconnect it, push down with your thumb and pull the suction hose out.

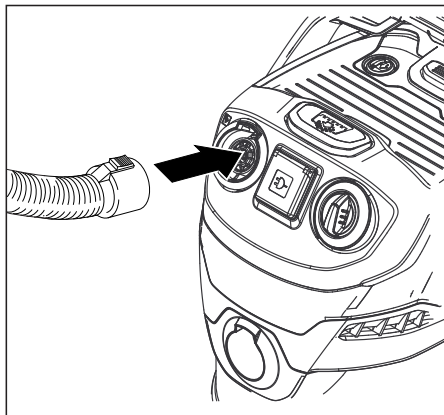


- To remove the handle from the suction hose, press the notch using your thumb and pull off the handle.



Blowing function

- Connect the suction hose to the blower connection, this will activate the blower function.



Integrated filter cleaning system

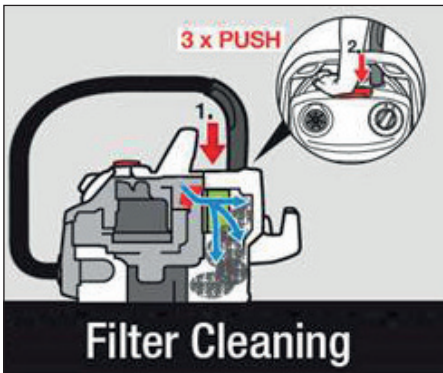
ATTENTION

Only operate the filter cleaning without a filter bag inserted, otherwise the filter bag can get damaged.

The filter cleaning system is intended for vacuuming up large volumes of fine dust without an inserted filter bag.

Note: Thanks to the filter cleaning system the soiled flat pleated filter can be cleaned at the push of the button and the suction performance can be increased again.

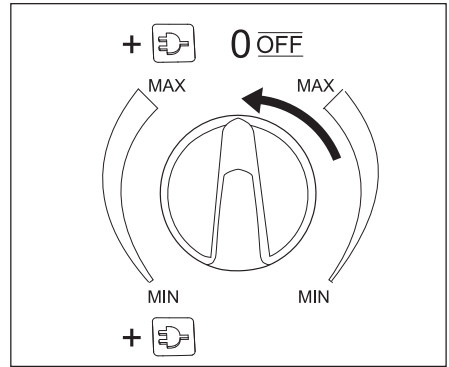
- Place the handle of the suction hose in the accessory compartment on the appliance head. Push the filter cleaning button 3 x while the appliance is switched on, wait 4 seconds between the individual operations.



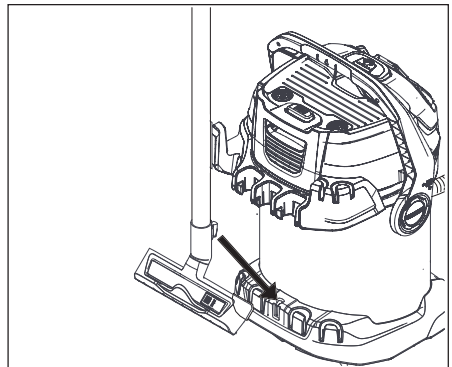
Note: After operating the filter cleaning button several times, check the container for its filling volume. Otherwise, the dirt might escape when the container is opened.

Interrupting operation

- Turn off the appliance.
Position 0: Appliance is switched off

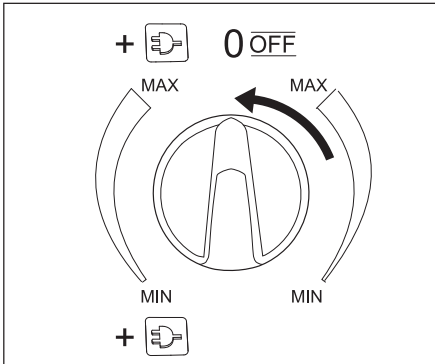


- Hook the floor nozzle into the parking position.



Finish operation

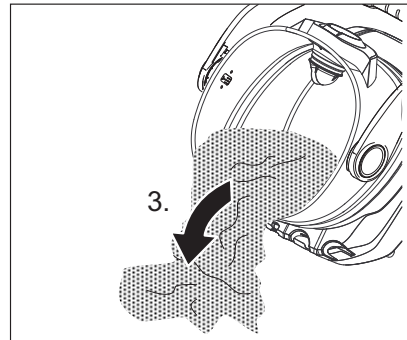
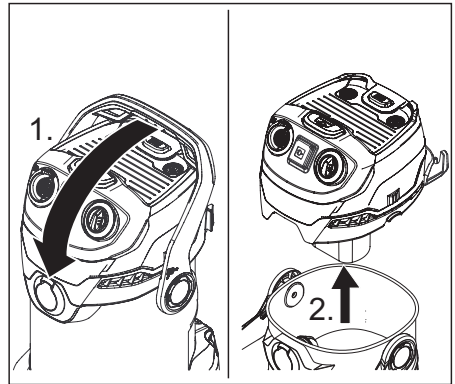
- Turn off the appliance.
Position 0: Appliance is switched off



- Disconnect the mains plug from the socket.

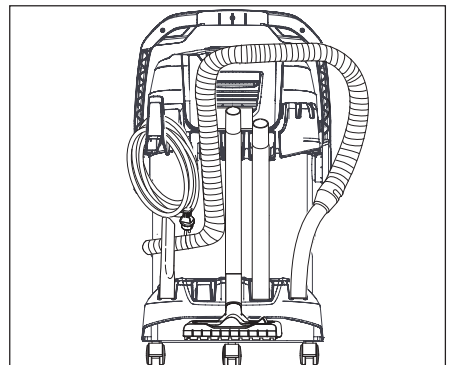
Empty the container

- Remove the appliance head and empty the reservoir filled with wet or dry dirt.



Storing the appliance

- Store the accessories and the mains cable on the appliance and store the appliance in dry rooms.



USING THE ACCESSORIES

Suction hose with connecting piece

Note: Accessories, such as suction brushes (optional) can be directly attached to the connecting piece and thus connected to the suction hose. For convenient working even in tight spaces.

The removable handle can be attached between the accessories and the suction hose if necessary.

Recommendation: In order to vacuum the floor, attach the handle to the suction hose.

Removable handle

Note: Due to removing the handle, accessories can be directly attached to the suction hose.

Recommendation: In order to vacuum the floor, attach the handle to the suction hose.

Suction tubes 2 x 0.5 m

Put both suction tubes together and connect them with the handle.

Crevice nozzle

For edges, joints, heaters and hard to reach locations.

Floor nozzle

- For vacuuming dry dirt off the floor, use position with extended brush strips.
- For vacuuming water off the floor, use position with extended rubber lips.

Adapter

- To connect the suction hose with an electric tool
- Adapt the adapter to the connection diameter of the electric tool using a knife if necessary.

Filter bag

Note: Do not use a filter bag for wet vacuuming!

Recommendation: To vacuum fine dust, use the filter bag.

- The filling level of the filter bag depends on the dirt that is sucked in.
- The filter bag needs to be replaced more frequently while sucking in fine dust, sand, etc.
- Clogged filter bags can burst - therefore make sure to replace the filter bag in a timely manner!

Flat fold filter

(already installed in the appliance)

ATTENTION

Always work with an inserted flat fold filter - during wet as well as dry vacuum cleaning!

CARE AND MAINTENANCE INSTRUCTIONS

⚠ **DANGER**

Turn off the appliance and remove the mains plug prior to any care and maintenance work.

Repair works may only be performed by the authorised customer service.

⚠ **WARNING**

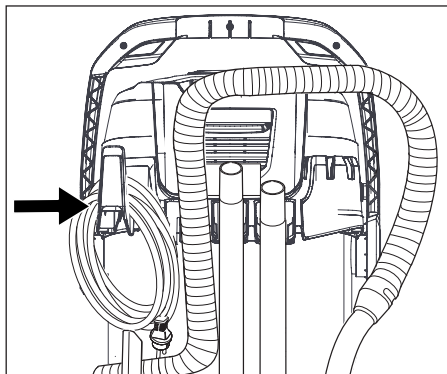
Do not use abrasives, glass or universal cleaners! Never immerse the appliance in water.

Do not immerse the appliance into water!

- Clean the appliance and accessory parts made of plastic with a commercial plastic cleaner.
- If required, rinse the container and accessories with water properly and dry them before reuse.

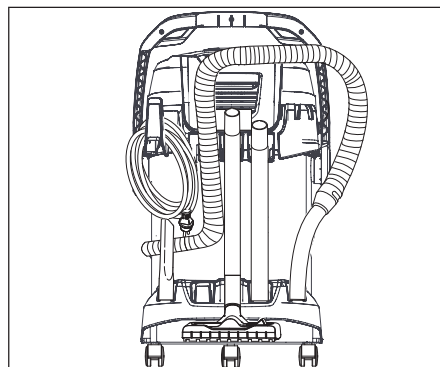
Cord storage

- Wind the cord around the cable hook.



Storing the appliance

- Store the accessories on the appliance.

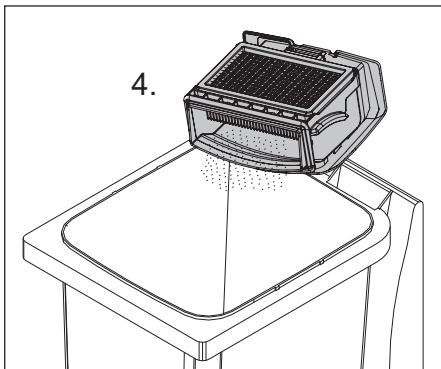
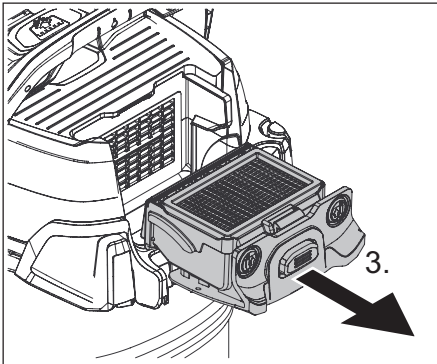
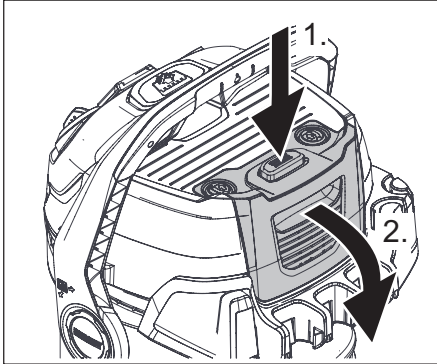


- Store the appliance indoors in a cool, dry place.

Clean flat fold filter

Recommendation: Clean the filter box after every use.

→ Unlock, fold out and remove the filter cartridge, empty dirt from the filter cartridge over a waste bin.

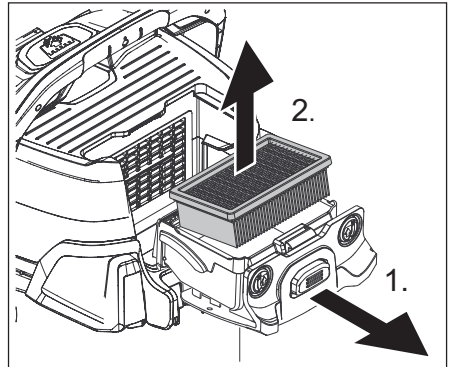


→ In order to clean the inserted flat fold filter, knock the filter box against the edge of the waste bin. It is not necessary to remove the flat fold filter from the filter box.

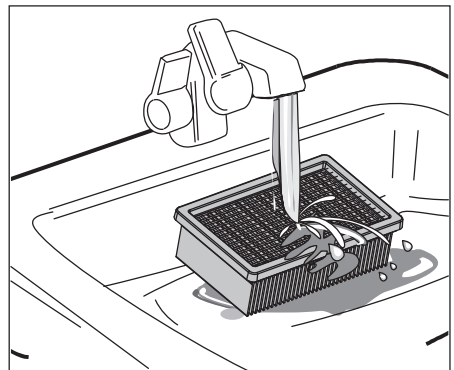
If necessary, clean the flat fold filter separately.

→ Unlock, fold out and remove the filter cartridge.

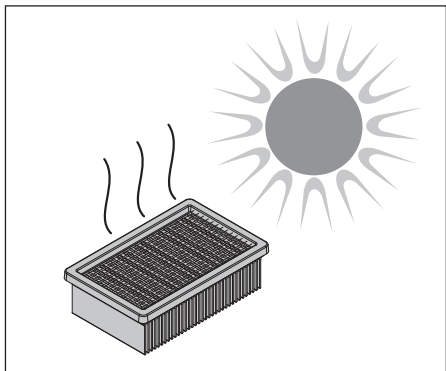
→ Remove the flat fold filter from the filter box and tab it out.



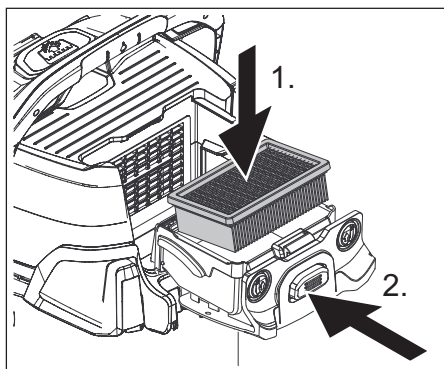
→ When necessary, clean under running water only, do not wipe or brush down.



→ Allow to dry completely prior to use.



→ Finally, reinstall the dry flat fold filter into the appliance. Insert the filter cartridge into the appliance.



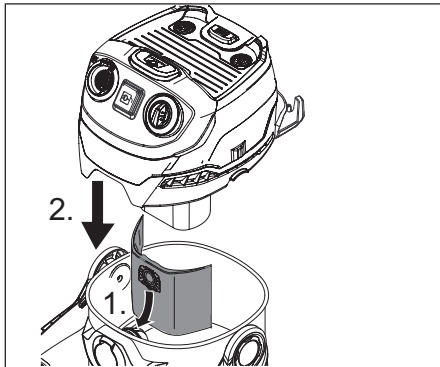
TROUBLESHOOTING

Often, failures have simple causes and you can do the troubleshooting yourself using the following overview. If you are in doubt or if the failure is not listed here please contact the authorized customer service.

Decreasing cleaning power

If the suction power becomes less, check the following points:

- Accessories, suction hose or suction pipes are clogged, please remove the obstruction using a stick.
- Filter bag is full: Insert new filter bag.



- Flat fold filter contaminated: Remove the filter box and clean filter (see Chapter "Cleaning the flat fold filter").
- Replace damaged flat fold filter.

MANUAL DE INSTRUCCIONES DE ASPIRADORA MULTIUSOS

MANUAL DE INSTRUCCIONES DE ASPIRADORA MULTIUSOS	20
INSTRUCCIONES IMPORTANTES DE SEGURIDAD . . .	22
LEA TODAS LAS INSTRUCCIONES ANTES DE UTILIZAR EL PRODUCTO	22
CONSERVE ESTAS INSTRUCCIONES	23
INSTRUCCIONES DE PUESTA A TIERRA	24
VISTA GENERAL DEL MODELO	25
INSTRUCCIONES DE FUNCIONAMIENTO	27
UTILIZACIÓN DE LOS ACCESORIOS	35
INSTRUCCIONES DE CONSERVACIÓN Y MANTENIMIENTO	36
LOCALIZACIÓN Y REPARACIÓN DE AVERÍASG	39

Símbolos de aviso de seguridad

⚠ **PELIGRO**

Aviso sobre un riesgo de peligro inmediato que puede provocar lesiones corporales graves o la muerte.

⚠ **ADVERTENCIA**

Aviso sobre una situación probablemente peligrosa que puede provocar lesiones corporales graves o la muerte.

⚠ **PRECAUCIÓN**

Indicación sobre una situación que puede ser peligrosa, que puede acarrear lesiones leves.

CUIDADO

Aviso sobre una situación probablemente peligrosa que puede provocar daños materiales.

Datos técnicos

Tensión ~60 Hz	120	V
Consumo de corriente	10	A
Potencia máx. de conexión al enchufe	6	A
Capacidad del depósito	6,6 (25)	gal (l)
Absorción de agua con el asa	4,2 (16)	gal (l)
Absorción de agua con boquilla para suelos	3,7 (14)	gal (l)
Cable de conexión a la red	3xAWG14SJTW	
Nivel de presión acústica (EN 60704-2-1)	73	dB(A)
Peso sin accesorios	19,8 (9,0)	lbs (kg)
Nº de pieza	1.348-197.0	

Reservado el derecho a realizar modificaciones técnicas.

Uso previsto

El aparato está previsto para el uso como aspirador en seco conforme a las descripciones e instrucciones de seguridad de este manual de instrucciones.

Este aparato ha sido diseñado para el uso particular y no para los esfuerzos del uso industrial.

- Usar solo en interiores.
- No se deben aspirar cenizas ni hollín con este aparato.

Utilizar el aspirador de usos múltiples solo con:

- bolsas filtrantes originales.
- Accesorios y piezas de repuesto o accesorios opcionales originales.

El fabricante no asume responsabilidad alguna por los daños que pudieran derivarse de un uso inadecuado o incorrecto.

Responsabilidades del propietario/usuario

El propietario y/o el usuario deben comprender bien las instrucciones de servicio y advertencias del fabricante antes de empezar a utilizar el aparato. Debe prestarse especial atención y tener muy claras las advertencias.

Si el operador no habla bien el español, el propietario/comprador debe responsabilizarse de leer y comentar las instrucciones y las advertencias en su lengua natal, y asegurarse de que entienda a la perfección su contenido.

El propietario y/o el usuario deben leer y guardar como referencia para el futuro las instrucciones del fabricante.

Volumen del suministro

El contenido de suministro de su aparato está ilustrado en el embalaje. Verifique durante el desembalaje que no falta ninguna pieza.

En caso de detectar que faltan accesorios o que han surgido daños durante el transporte, informe a su distribuidor.

Ayuda a clientes EE.UU. y Canadá

Para registrar este producto, visite:

www.karcher-register.com

Para ayuda técnica, visite:

www.karcher-help.com

Si necesita presentar un reclamación de la garantía, llame a: **1-800-537-4129**

Tendrá que enviar su recibo por fax o correo electrónico a un agente de atención al cliente. Encontrará toda la información en:

www.karcherresidential.com

Soporte México

Llame al: **01-800-024-13-13** si necesita ayuda o visite nuestra página Web:

www.karcher.com.mx

INSTRUCCIONES IMPORTANTES DE SEGURIDAD

Al utilizar este producto, tome siempre las precauciones básicas, incluidas las siguientes:

LEA TODAS LAS INSTRUCCIONES ANTES DE UTILIZAR EL PRODUCTO

Sólo para uso doméstico.

△ **ADVERTENCIA**

Para reducir el riesgo de fuegos, descarga eléctrica o lesiones:

- NO ABANDONAR la unidad mientras esté enchufada. Desenchufar cuando no esté en uso y antes de revisar.
- Usar solo en interiores.
- No permita que se use como juguete. Prestar mucha atención cuando sea usado por y cerca de niños.
- Para evitar una descarga eléctrica, usar solo un enchufe de toma a tierra.

Consultar las instrucciones de puesta a tierra.

- Usar exclusivamente como se describe en este manual. Usar solamente con los complementos recomendados por el fabricante.
- No usar con el cable o la clavija dañados. Si el aparato no funciona como debería, se ha caído al suelo, dañado, dejado al aire libre, o caído al agua, devuélvalo a servicio o a la centralita de atención al cliente.

- No tirar del cable ni transportar el aparato cogido por el cable, no cerrar una puerta sobre el cable, ni pasar el cable por bordes o esquinas afiladas. No pasar el aparato por el cable. Mantener el cable alejado de superficies calientes.
- No tirar del cable para desenchufar el aparato. Para desenchufar, coger el enchufe.
- No toque nunca la clavija con las manos mojadas.
- Usar con especial cuidado cuando limpie escaleras.
- Apagar los mandos de control antes de desenchufar.
- No sumergir el equipo en agua u otros líquidos.
- El equipo tiene que estar al ras y en el suelo durante el uso.
- Está prohibido el funcionamiento en zonas donde haya riesgo de explosión.
- No realizar el mantenimiento mientras el equipo esté enchufe.
- No introducir objetos en los orificios. No usar con cualquiera de los orificios bloqueados; mantener sin polvo, pelusa, pelo y cualquier otra cosa que pueda reducir el flujo de aire.
- No usar para recoger líquidos inflamables o combustible, como gasolina, ni utilizar el aparato en áreas donde puedan estar presentes.
- No coger nada que esté ardiendo o echando humo, como cigarrillos, cerillas o material caliente.
- Mantener el cabello, la ropa floja, los dedos y todas las partes del

cuerpo alejadas de los orificios y partes móviles.

- Usar gafas de seguridad cuando se opere el ventilador.
- No aspirar o usar el ventilador cerca de materiales tóxicos o peligrosos para la salud, como asbesto, pesticidas, fertilizantes o cualquiera que sea venenoso.
- No aspirar polvos explosivos ni usar el limpiador o ventilador en áreas que puedan contener sustancias explosivas como carbón, grano u otro material combustible fino.
- Evitar coger objetos duros y afilados con el limpiador. Pueden dañar el limpiador y el filtro.
- No opere la aspiradora sin filtro ni sin instalar la bolsa de polvo.

**CONSERVE
ESTAS
INSTRUCCIONES**

INSTRUCCIONES DE PUESTA A TIERRA

Este producto se tiene que poner a tierra. Si funcionase mal o si se rompiese, la puesta a tierra proporcionaría una circuito menos resistente a la energía eléctrica para reducir el riesgo de electrochoque. Este producto está equipado con un cable que tiene un conductor a tierra del equipo para un enchufe a tierra. El enchufe se tiene que enchufar a un tomacorriente adecuado, que esté correctamente instalado y puesto a tierra conforme a todas las normas y reglamentos locales.

⚠ **ADVERTENCIA**

Una conexión incorrecta del conductor del equipo de toma a tierra puede provocar una descarga eléctrica.

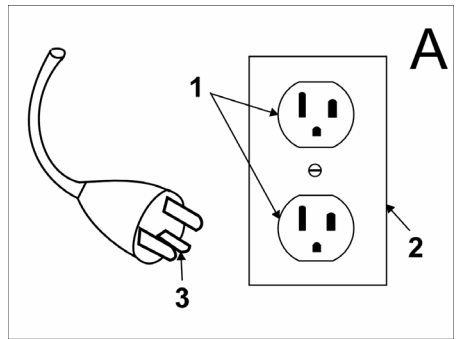
Consulte a un electricista cualificado o a un técnico si tiene dudas acerca de si el enchufe tiene la toma a tierra correcta.

No modifique el enchufe suministrado del aparato.

Si no encaja en el enchufe, solicite a un electricista cualificado que instale un enchufe correcto.

El aparato se usa con un circuito de 120 voltios y tiene un enchufe con toma a tierra que tiene el mismo aspecto que la ilustración A.

Asegúrese de que el equipo esté conectado a un enchufe que tenga la misma configuración que la clavija. No se debe usar un adaptador con este equipo.

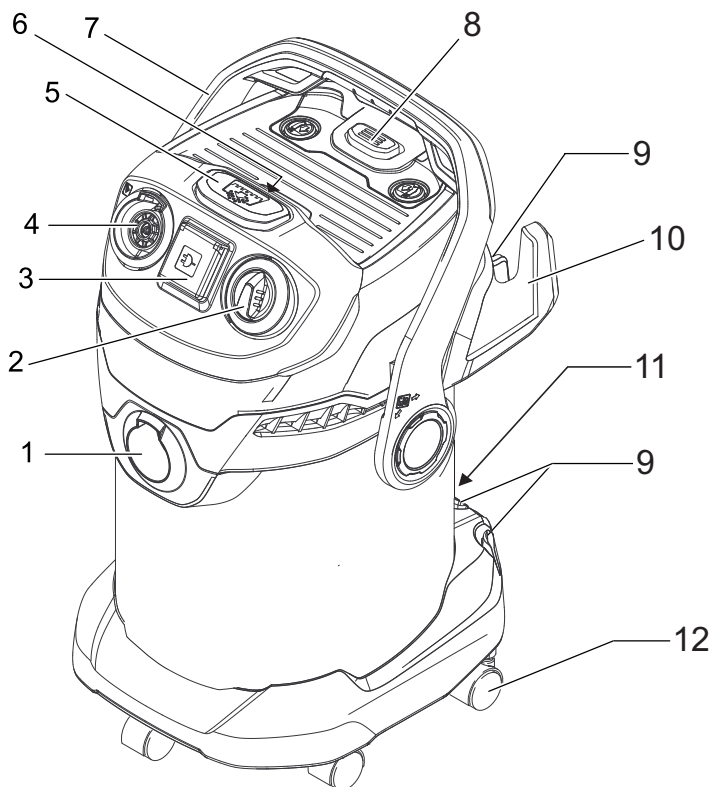


- 1 Toma de corriente con puesta a tierra
- 2 Caja de toma de corriente con puesta a tierra
- 3 Clavija con puesta a tierra

Si es imprescindible un alargador, se debe de usar un alargador que esté clasificado con un mínimo de 15 amperios y calibre 14. Los cables que estén clasificados para menos amperios se pueden sobrecalentar. Se colocar bien el cable para que no se tire ni se tropiece con él.

VISTA GENERAL DEL MODELO

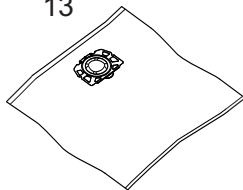
- | | | | |
|---|------------------------------------|----|---------------------------------------|
| 1 | Toma de la manguera de aspiración | 8 | Caja del filtro y tecla de desbloqueo |
| 2 | Interruptor del aparato (ON / OFF) | 9 | Alojamiento del accesorio |
| 3 | Enchufe del aparato | 10 | Gancho porta cables |
| 4 | Conexión para soplado | 11 | Posición de estacionamiento |
| 5 | Tecla de limpieza de filtro | 12 | Rodillo de dirección |
| 6 | Mango empotrado | | |
| 7 | Estribo de transporte | | |



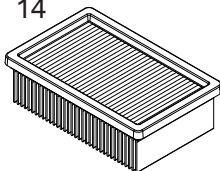
Accesorios

- | | | | |
|----|---|----|--|
| 13 | Bolsa del filtro | 18 | Boquilla barredora de suelos
(con palanca de conmutación) |
| 14 | Filtro plano de papel plegado | 19 | Boquilla para juntas |
| 15 | Manguera de aspiración con pieza
de conexión | 20 | Adaptador |
| 16 | Empuñadura extraíble | | |
| 17 | Tubos de aspiración 2 x 0,5 m | | |

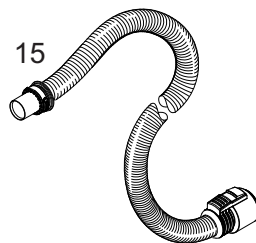
13



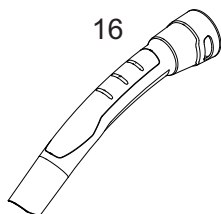
14



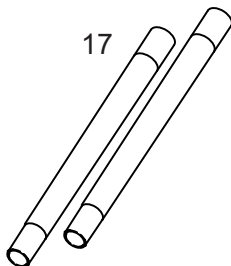
15



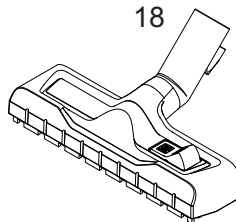
16



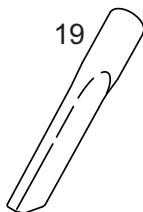
17



18



19



20

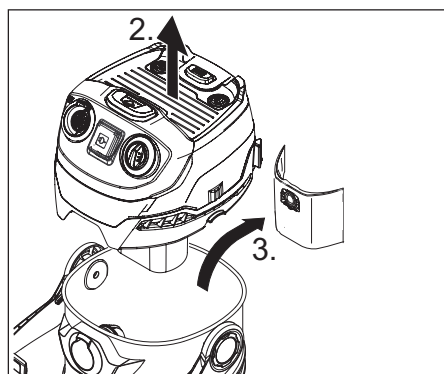
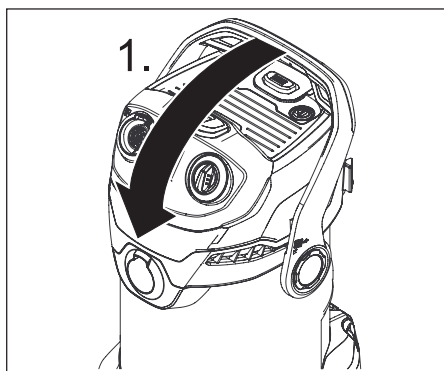


INSTRUCCIONES DE FUNCIONAMIENTO

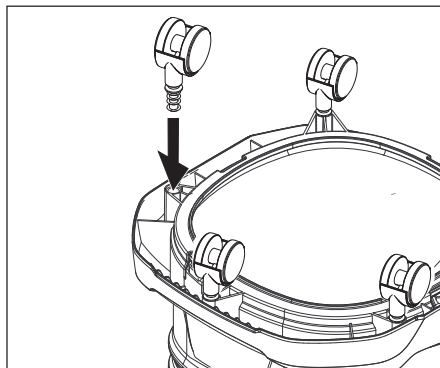
INSTRUCCIONES DE MONTAJE

Nota

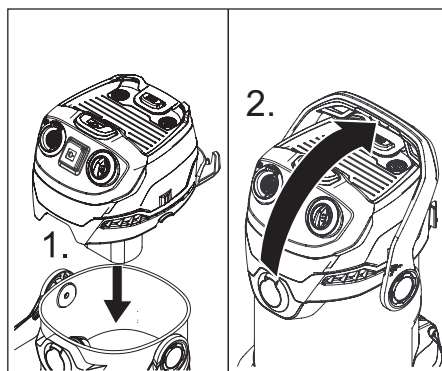
- El estribo de transporte sirve también para bloquear el cabezal del aparato y el recipiente. Para desbloquear, girar hacia delante el estribo hasta que el bloqueo esté libre.
- Coger el cabezal del aparato tras el desbloqueo por la ranura del asa y sacarlo.
- ➔ Quite el cabezal del aparato y saque el contenido del recipiente.



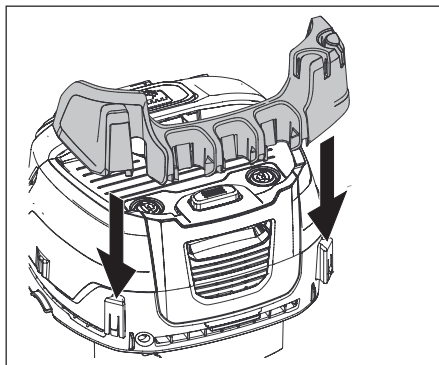
- ➔ Girar el recipiente, introducir hasta el tope las ruedas giratorias en los orificios de la parte de abajo del recipiente.



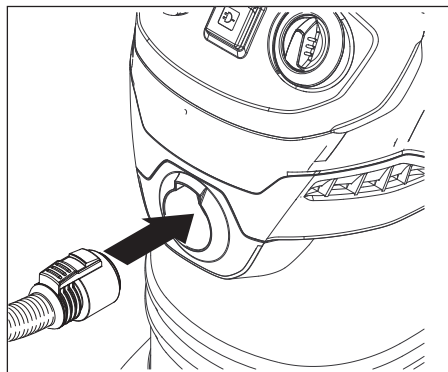
- ➔ Colocar y bloquear el cabezal del aparato.



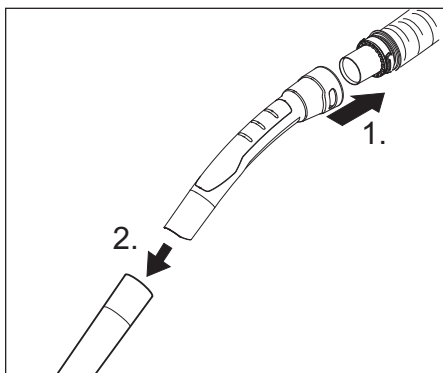
- Enganchar el soporte para sujetar accesorios al lateral trasero del cabezal del aparato.



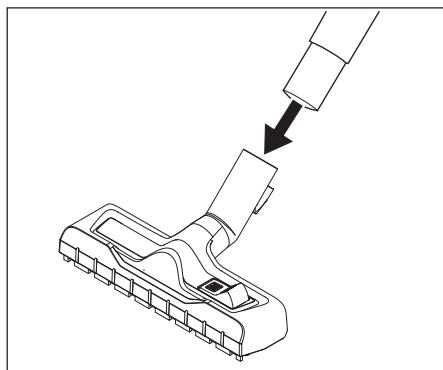
- Presionar la manguera de aspiración en la toma del aparato, se encaja.



- Conectar la empuñadura con la manguera de aspiración hasta que encaje.
- Insertar ambos tubos de aspiración y conectar con la empuñadura.

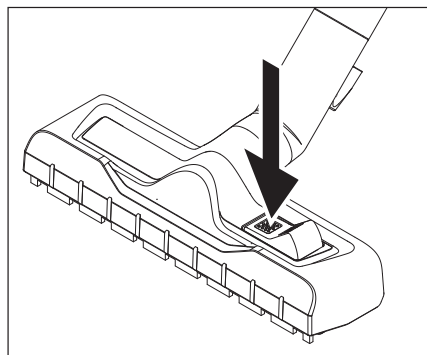


- Conectar la boquilla para suelo con los tubos de aspiración.

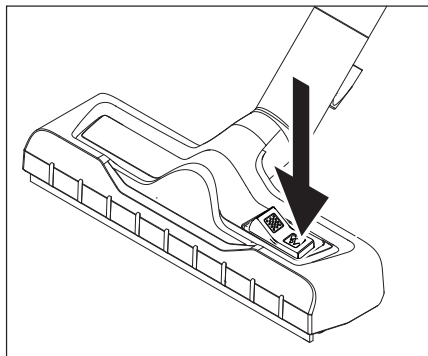


Para conmutar de forma cómoda entre suciedad seca y suciedad húmeda:

- Para aspirar la suciedad seca del suelo, utilizar la posición con las tiras de cepillos desplegadas.



- Para aspirar el agua del suelo, utilizar la posición con los racores de goma desplegados.



Aspiración en seco

CUIDADO

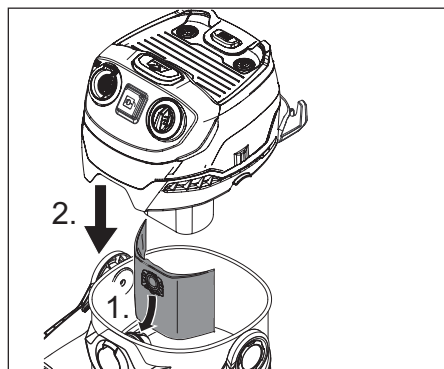
Trabajar solo con filtro plano de papel plegado seco.

Antes de usar el filtro, comprobar si está dañado y cambiar si es necesario.

Aspirar cenizas frías solo con el separador previo.

Nº referencia modelo Basic: 2.863-139.0, modelo Premium: 2.863-161.0.

- Para aspirar suciedad seca, se puede utilizar también una bolsa filtrante si es necesario.



CUIDADO

Realizar la limpieza del filtro solo sin que esté la bolsa del filtro colocada, de lo contrario se puede dañar.

Aspiración de líquidos

△ **ADVERTENCIA**

¡En caso de que se forme espuma o salga líquido, desconecte el aparato inmediatamente o desenchufar!

Indicación: Para aspirar líquidos no se debe colocar una bolsa filtrante.

Nota: Si el recipiente está lleno, un flotador cierra el orificio de aspiración y el aparato gira a un mayor número de revoluciones. Desconecte el aparato de inmediato y vacíe el recipiente.

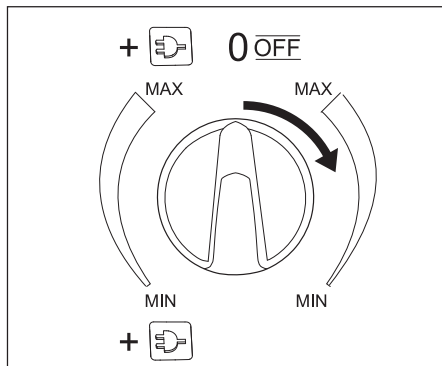
- Para aspirar suciedad húmeda o líquida, es importante respetar la configuración de la boquilla de suelos correcta y conectar el accesorio correspondiente.

Conexión del aparato

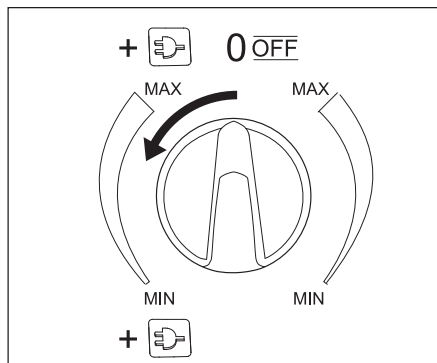
CUIDADO

¡Trabajar siempre con filtro plano de papel plegado, tanto para la aspiración en húmedo como en seco!

- Enchufar la clavija de red a una toma de corriente.
- Conexión del aparato
- **Posición MÁX:** Aspirar o soplar.



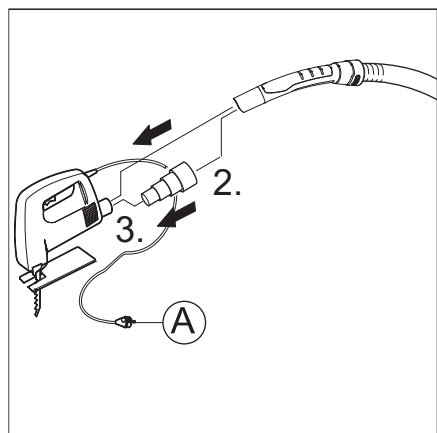
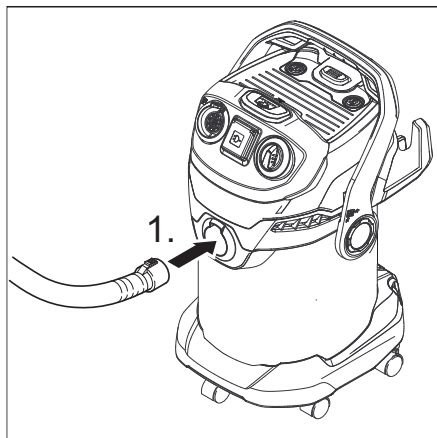
- **Posición +**  **MÁX:** Aspirar con una herramienta eléctrica conectada



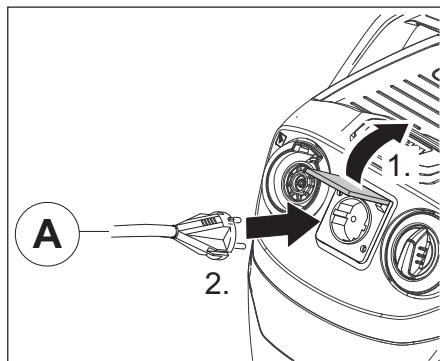
- Regulación de potencia: Si es necesario reducir la potencia de aspiración al aspirar, soplar o trabajar con una herramienta eléctrica.
- **Posición 0:** Aparato desconectado. La herramienta eléctrica está abastecida con tensión.

Trabajar con herramientas eléctricas

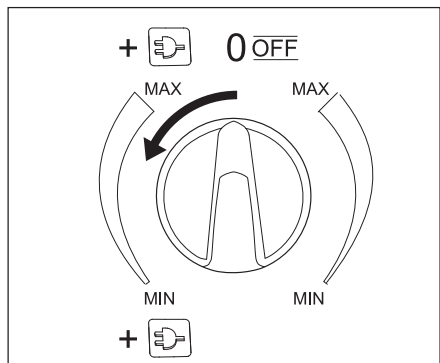
- Adaptar el adaptador con un cuchillo si es necesario al diámetro de conexión de la herramienta eléctrica.
- Conecte el adaptador suministrado al asa de la manguera de aspiración y conéctelo al conector del instrumento eléctrico.



- Introducir la clavija de red de la herramienta eléctrica en el aspirador.



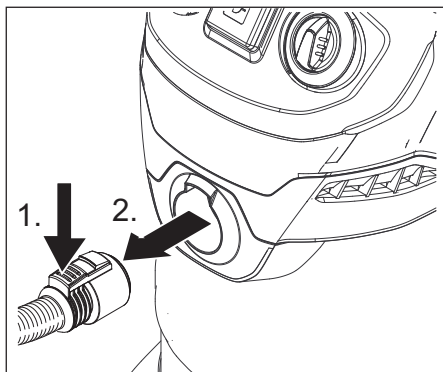
- Conectar el aparato (girar la rosca hacia la izquierda a la posición + MÁX) y comenzar con el trabajo.



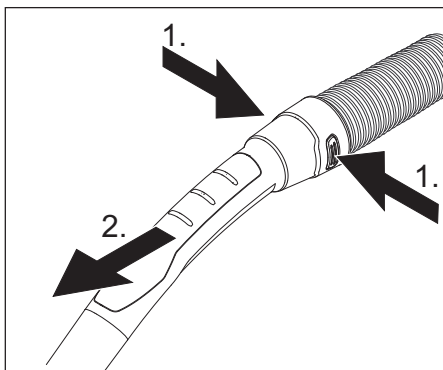
Indicación: Tan pronto se haya encendido la herramienta eléctrica, la turbina de absorción arranca con 0,5 segundos de retraso. Si se apaga la herramienta eléctrica, la turbina de absorción sigue en funcionamiento aprox. 5 segundos, para terminar de absorber la suciedad restante en la manguera de absorción.

Desacoplamiento de los accesorios

- Para extraer, presionar la lengüeta con el pulgar y extraer la manguera de aspiración.

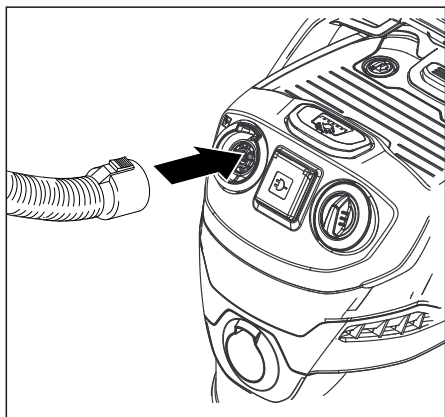


- Para extraer la empuñadura de la manguera de aspiración, presionar las legüetas con el pulgar y extraer la empuñadura.



Función de soplado

- Insertar la manguera de aspiración en la toma de aire para que se active la función de soplado.



Sistema de limpieza de filtro integrado

CUIDADO

Realizar la limpieza del filtro solo sin que esté la bolsa del filtro colocada, de lo contrario se puede dañar.

El sistema de limpieza de filtro está prevista para aspirar grandes cantidades de polvo fino sin colocar una bolsa filtrante.

Indicación: Mediante el sistema de limpieza de filtro se puede limpiar el filtro plano de papel plegado y aumentar la potencia de aspiración de nuevo con solo tocar un botón.

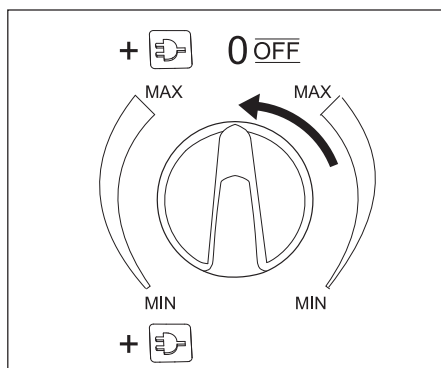
- Insertar el asa de la manguera de aspiración en el alojamiento de accesorios del cabezal del aparato. Pulsar tres veces la tecla de limpieza de filtro con el aparato encendido, esperar 4 segundos entre cada una de las veces.



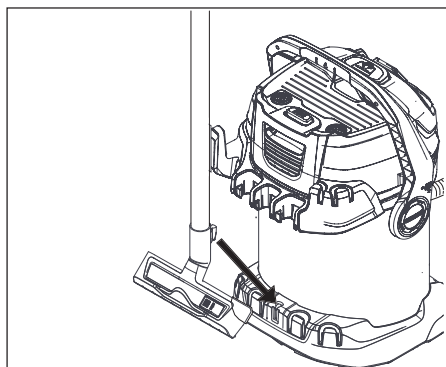
Indicación: Tras accionar varias veces la tecla de limpieza de filtro, comprobar el volumen del recipiente. De lo contrario, se puede salir la suciedad del recipiente al abrirlo.

Interrupción del funcionamiento

- Desconexión del aparato
Posición 0: El aparato está apagado.

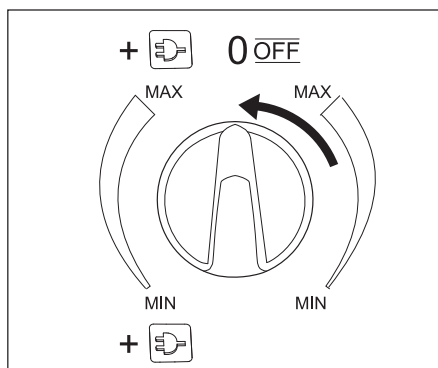


- Colgar la boquilla para suelos en la posición de aparcamiento.



Finalización del funcionamiento

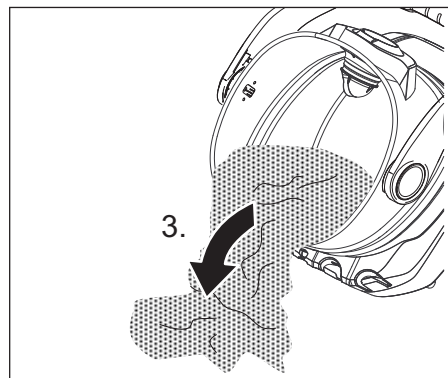
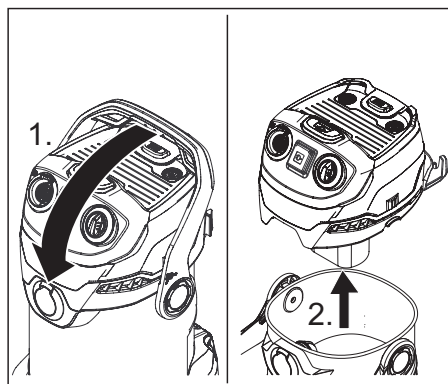
- Desconexión del aparato
Posición 0: El aparato está apagado.



- Saque el enchufe de la toma de corriente.

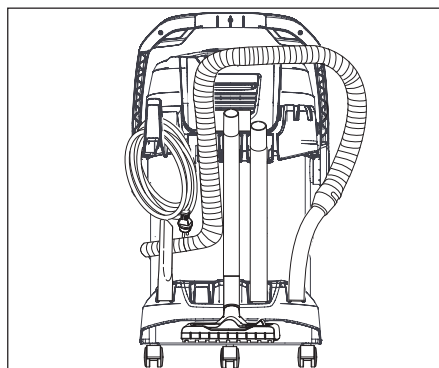
Vacíe el depósito

- Extraer el cabezal del aparato, vaciar el recipiente con suciedad húmeda o seca.



Almacenamiento del aparato

- Guardar el accesorio y el cable de alimentación en el aparato y éste en un lugar seco.



UTILIZACIÓN DE LOS ACCESORIOS

Manguera de aspiración con pieza de conexión

Indicación: Los accesorios, como los cepillos aspiradores (opcional), se pueden insertar directamente a la pieza de conexión para unir con la manguera de aspiración.

Para trabajar cómodamente también en espacios estrechos.

El mango extraíble se puede colocar entre los accesorios y la manguera de aspiración si es necesario.

Recomendación: Insertar la empuñadura de aspiración de suelos en la manguera de aspiración.

Empuñadura extraíble

Indicación: Si se extrae la empuñadura se pueden insertar directamente los accesorios en la manguera de aspiración.

Recomendación: Insertar la empuñadura de aspiración de suelos en la manguera de aspiración.

Tubos de aspiración 2 x 0,5 m

Insertar ambos tubos de aspiración y conectar con la empuñadura.

Boquilla para juntas

Para bordes, juntas, radiadores y zonas de difícil acceso.

Boquilla barredora de suelos

- Para aspirar la suciedad seca del suelo, utilizar la posición con las tiras de cepillos desplegadas.
- Para aspirar el agua del suelo, utilizar la posición con los racores de goma desplegados.

Adaptador

- Para conectar la manguera de aspiración con una herramienta eléctrica
- Adaptar el adaptador con un cuchillo si es necesario al diámetro de conexión de la herramienta eléctrica.

Bolsa del filtro

Indicación: Para aspirar líquidos no se debe colocar una bolsa filtrante.

Recomendación: Colocar la bolsa filtrante para aspirar polvo fino.

- Cuanto más suciedad de aspira más se llena la bolsa filtrante.
- En caso de aspirar polvo fino, arena etc... se debe cambiar la bolsa filtrante con más frecuencia.
- Las bolsas filtrantes pueden explotar, por eso es necesario cambiarla a tiempo.

Filtro plano de papel plegado

(ya colocado en el aparato)

¡CUIDADO!

¡Trabajar siempre con filtro plano de papel plegado, tanto para la aspiración en húmedo como en seco!

⚠ **PELIGRO**

Apague el aparato y desenchufe la clavija de red antes de efectuar los trabajos de cuidado y mantenimiento.

Los trabajos de reparación y trabajos en componentes eléctricos sólo los puede realizar el Servicio técnico autorizado.

⚠ **ADVERTENCIA**

No utilice detergentes abrasivos, ni detergentes para cristales o multiuso. No sumerja jamás el aparato en agua.

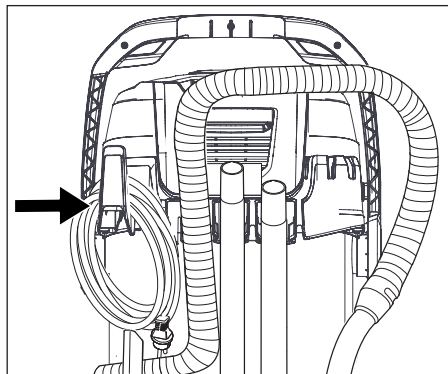
No sumergir el aparato en agua.

→ Limpie el aparato y los accesorios de plástico con un limpiador de materiales sintéticos de los habituales en el mercado.

→ En caso necesario, aclarar el depósito y los accesorios con agua y secar antes de volverlos a utilizar.

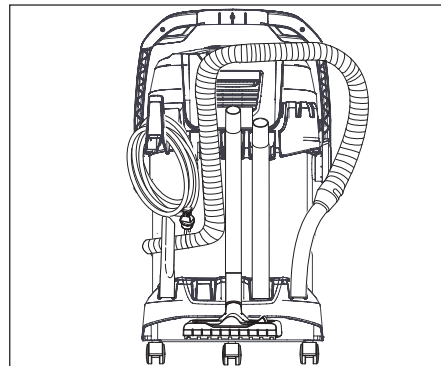
Almacén del cable

- Enrollar el cable alrededor del gancho.



Almacenamiento del aparato

- Almacenar los accesorios en el equipo.

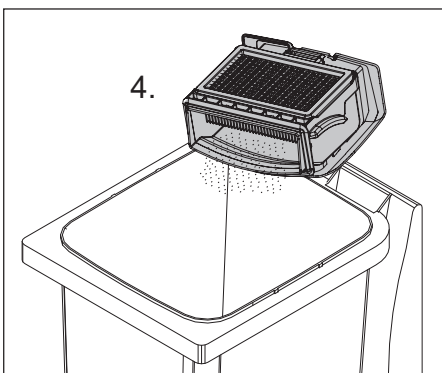
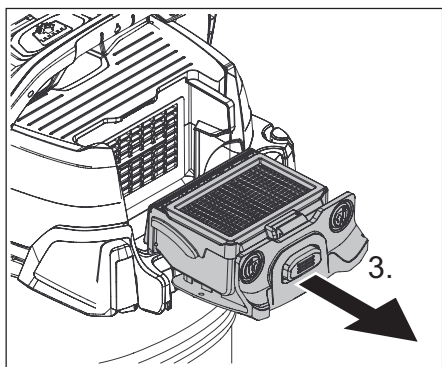
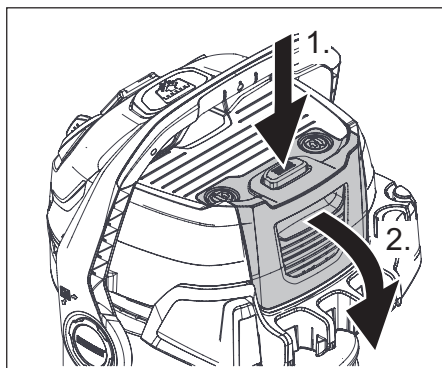


- Guardar el equipo en un lugar interior fresco y seco.

Limpiar el filtro plano de papel plegado

Recomendación: limpiar la caja del filtro después de cada uso.

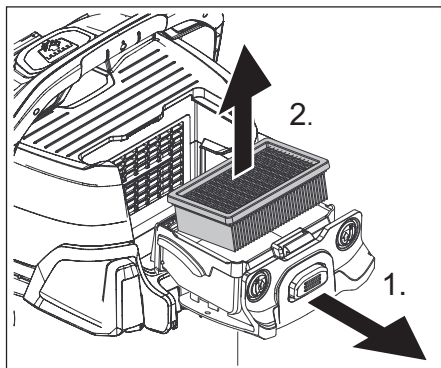
- Desbloquear la caja del filtro, abatir hacia fuera y extraer, vaciar la suciedad de la caja del filtro en un cubo de basura.



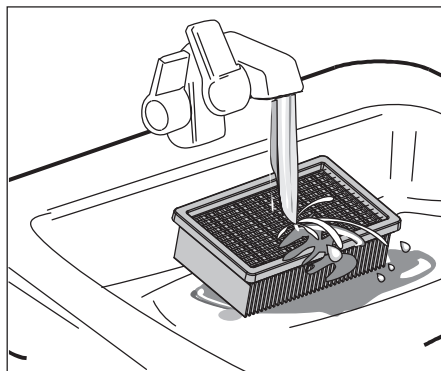
- Para limpiar el filtro plano de papel plegado colocado, golpear la caja del filtro contra el borde del cubo de basura. Para ello no es necesario desmontar el filtro plano de papel plegado de la caja del filtro.

Si es necesario, limpiar el filtro plano de papel plegado por separado.

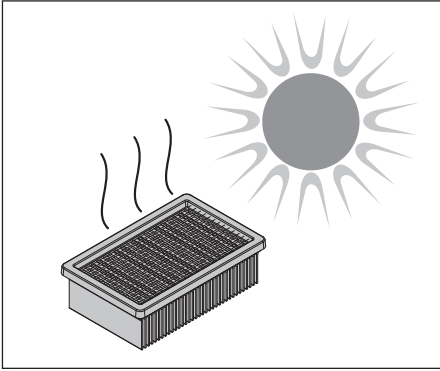
- Desbloquear, abatir hacia fuera y extraer la caja del filtro.
- Sacar el filtro plano de papel plegado de la caja del filtro y golpear para soltar la suciedad.



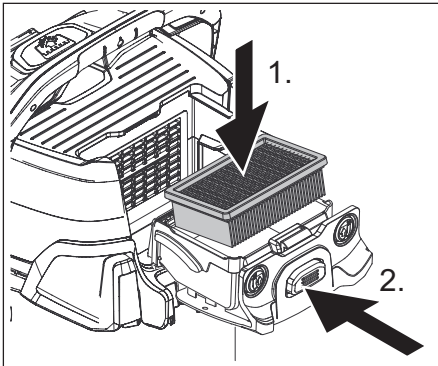
- Si es necesario, limpiarlo con agua corriente, no frotar ni cepillar.



→ Antes del uso dejar secar totalmente.



→ Finalmente, montar el filtro plano de papel plegado seco de nuevo en el aparato. Colocar la caja del filtro en el aparato.



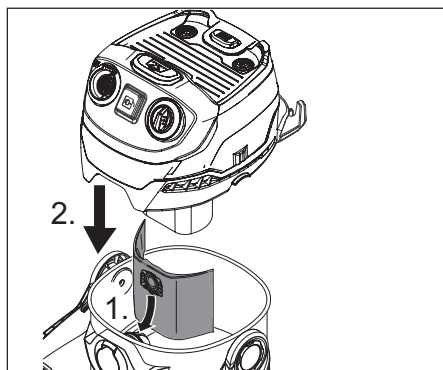
LOCALIZACIÓN Y REPARACIÓN DE AVERÍAS

Muchas averías las puede solucionar usted mismo con ayuda del resumen siguiente. En caso de duda, diríjase al servicio de atención al cliente autorizado.

Potencia de aspiración reducida

Si la potencia de absorción del aparato disminuye, comprobar los siguientes puntos:

- Los accesorios, la manguera de aspiración o los tubos de aspiración están obstruidos; elimine la obstrucción con ayuda de una vara.
- La bolsa filtrante está llena: Coloque la nueva bolsa filtrante.



- El filtro plano de papel plegado está sucio: Extraer la caja del filtro y limpiar el filtro (véase capítulo "Limpiar filtro de papel plano").
- Sustituir los filtros planos de papel plegado que estén dañados.

MANUEL D'UTILISATION DE L'ASPIRATEUR MULTI-FONCTION

MANUEL D'UTILISATION DE L'ASPIRATEUR MULTI-FONCTION	40
CONSIGNES DE SÉCURITÉ IMPORTANTES	42
LIRE TOUTES LES INSTRUCTIONS AVANT D'UTILISER LE PRODUIT	42
CONSERVER CES CONSIGNES	43
INSTRUCTIONS DE MISE À LA TERRE	44
GÉNÉRALITÉS	45
MODE D'EMPLOI	47
UTILISATION DES ACCESSOIRES	55
INSTRUCTIONS D'ENTRETIEN ET DE MAINTENANCE DÉPANNAGE	56 59

Symboles d'alerte de sécurité

⚠ **DANGER**

Signale la présence d'un danger imminent entraînant de graves blessures corporelles et pouvant avoir une issue mortelle.

⚠ **AVERTISSEMENT**

Signale la présence d'une situation éventuellement dangereuse pouvant entraîner de graves blessures corporelles et même avoir une issue mortelle.

⚠ **PRÉCAUTION**

Remarque relative à une situation potentiellement dangereuse pouvant entraîner des blessures légères.

ATTENTION

Remarque relative à une situation éventuellement dangereuse pouvant entraîner des dommages matériels.

Caractéristiques techniques

Tension ~60 Hz	120	V
Courant absorbée	10	A
Puissance de raccordement max. de la prise	6	A
Volume de la cuve	6,6 (25)	gal (l)
Arrivée d'eau avec poignée	4,2 (16)	gal (l)
Arrivée d'eau avec buse de sol	3,7 (14)	gal (l)
Câble d'alimentation	3xAWG14SJTW	
Niveau de pression acoustique (EN 60704-2-1)	73	dB(A)
Poids (sans accessoire)	19,8 (9,0)	lbs (kg)
N° de pièce	1.348-197.0	

Sous réserve de modifications techniques !

Utilisation conforme

L'appareil est conçu pour une aspiration multi-usages, conformément aux descriptions et consignes de sécurité stipulées dans ce manuel d'utilisation. Cet appareil ne doit être utilisé que pour un usage domestique.

- Utiliser l'appareil exclusivement à l'intérieur.
- Il est interdit d'aspirer des cendres et de la suie avec cet appareil.

N'utiliser l'aspirateur qu'en association avec :

- le sac de filtrage original.
- des pièces de rechange, accessoires ou accessoires spéciaux originaux.

Le fabricant décline toute responsabilité en cas de dommages dus à une utilisation non conforme ou incorrecte de l'appareil.

Responsabilité du propriétaire/ de l'utilisateur

Avant d'utiliser cet l'appareil, le propriétaire et/ou l'utilisateur doit impérativement avoir pris connaissance des consignes d'utilisation et mises en garde du fabricant.

Il est nécessaire d'insister sur les avertissements et de les comprendre.

Si l'utilisateur ne parle pas couramment l'anglais, l'acheteur/le propriétaire doit lire les consignes et mises en garde du fabricant avec l'utilisateur dans la langue maternelle de ce dernier et s'assurer qu'il en comprend bien le contenu.

Le propriétaire et/ou l'utilisateur doit se familiariser avec les consignes du fabricant et les conserver afin de pouvoir s'y référer ultérieurement.

Contenu de livraison

L'étendue de la fourniture de votre appareil figure sur l'emballage. Lors du déballage, contrôler l'intégralité du matériel.

S'il manque des accessoires ou en cas de dommages imputables au transport, informer immédiatement le revendeur.

Service client USA et Canada

Pour enregistrer ce produit, veuillez visiter :

www.karcher-register.com

Pour l'assistance technique, aller à :

www.karcher-help.com

Pour faire valoir une demande en garantie, appeler : **1-800-537-4129**

Il vous faudra faxer votre reçu, ou l'envoyer par courriel, à un agent du service après-vente. Tous les autres informations sont disponibles sous :

www.karcherresidential.com

Assistance Mexique

Appeler : **01-800-024-13-13** pour obtenir de l'aide ou visitez notre site Web :

www.karcher.com.mx

CONSIGNES DE SÉCURITÉ IMPORTANTES

En utilisant ce produit, toujours observer une certaine prudence élémentaire, incluant notamment :

LIRE TOUTES LES INSTRUCTIONS AVANT D'UTILISER LE PRODUIT

À usage domestique seulement!

△ **AVERTISSEMENT**

Afin de réduire les risques d'incendie, d'électrocution et de blessures, prendre les précautions suivantes :

- NE PAS LAISSER l'appareil sans surveillance lorsqu'il est branché. Débrancher l'appareil lorsqu'il n'est pas utilisé et avant de procéder à l'entretien.
- Utiliser l'appareil exclusivement à l'intérieur.
- Ne pas permettre une utilisation comme jouet. Ne jamais le laisser sans surveillance attentive lorsqu'il est utilisé par ou à proximité d'enfants.
- Pour éviter tout choc électrique, toujours utiliser une prise avec terre. Voir les instructions de mise à terre.
- Respecter impérativement les consignes d'utilisation de ce manuel. Utiliser uniquement les accessoires recommandés par le fabricant.
- Ne pas mettre l'appareil en service en cas d'endommagement du cordon ou de la prise. Si l'appareil ne fonctionne pas correctement, s'il est tombé, s'il a été endommagé, s'il est resté à l'extérieur ou est tombé dans l'eau, le retourner à un centre de service.
- Ne pas tirer ou transporter l'appareil par le cordon électrique ou se servir de ce dernier comme d'une poignée. Veiller à ne pas coincer le cordon dans une porte et éviter de le tirer sur des bords ou des coins tranchants. Ne pas laisser l'appareil rouler sur le cordon. Tenir le cordon à l'écart des surfaces chaudes.
- Ne pas tirer sur le cordon électrique pour débrancher l'appareil. Pour débrancher, saisir la fiche électrique.
- Ne jamais saisir le câble d'alimentation avec des mains mouillées.
- Faire particulièrement attention lors du nettoyage d'escaliers.
- Désactiver toutes les commandes avant de débrancher l'appareil.
- Ne jamais immerger l'appareil dans l'eau ou d'autres liquides.
- L'appareil doit être de niveau et sur le sol pendant son utilisation.
- Il est interdit d'utiliser l'appareil dans des domaines présentant des risques d'explosion.
- Ne pas entretenir l'appareil quand il est branché.
- Ne rien introduire dans les orifices. Ne pas utiliser l'appareil si les orifices sont obstrués. Protéger les

CONSERVER CES CONSIGNES

orifices de la poussière, des peluches, des cheveux et autres matières susceptibles de réduire le débit d'air.

- Ne pas aspirer de liquides inflammables ou combustibles, tels que de l'essence avec l'appareil. Ne pas utiliser ce dernier dans des zones susceptibles de contenir de tels produits.
- Ne pas ramasser de substances brûlantes ou dégageant de la fumée, telles que des cigarettes, allumettes ou des substances très chaudes.
- Veiller à ne pas approcher les cheveux, vêtements larges, doigts ou toute autre partie du corps des orifices et composants mobiles de l'appareil.
- Porter une protection pour les yeux lors de l'utilisation du ventilateur.
- Ne pas aspirer et ne pas utiliser le ventilateur à côté de matériaux toxiques ou dangereux pour la santé comme l'amiante, des pesticides, des engrais ou toute autre substance toxique.
- Ne pas aspirer des vapeurs explosives et ne pas utiliser le nettoyeur ou le ventilateur dans des zones qui peuvent contenir des substances explosives comme du charbon, des céréales ou tout autre matériau fin et combustible.
- Éviter de ramasser des objets pointus et tranchants avec le nettoyeur. Ils pourraient endommager le nettoyeur et le filtre.
- Ne pas utiliser l'appareil si le filtre ou le sac à poussière n'est pas en place.

INSTRUCTIONS DE MISE À LA TERRE

Ce produit doit être mis à la terre. En cas de mauvais fonctionnement ou de panne, la mise à la terre établit un chemin de moindre résistance pour le courant électrique afin de réduire le risque de décharge électrique. Ce produit est équipé d'un cordon doté d'un conducteur de mise à la terre de l'équipement pour une prise de mise à la terre. La prise doit être branchée dans une prise appropriée qui est correctement installée et mise à la terre en conformité avec les codes et ordonnances locaux.

⚠ **AVERTISSEMENT**

Une connexion incorrecte du conducteur de terre de l'équipement peut avoir pour résultat un risque de choc électrique.

Contrôler avec un électricien qualifié ou un technicien de service si vous avez des doutes relatifs à la mise à la terre correcte de la prise.

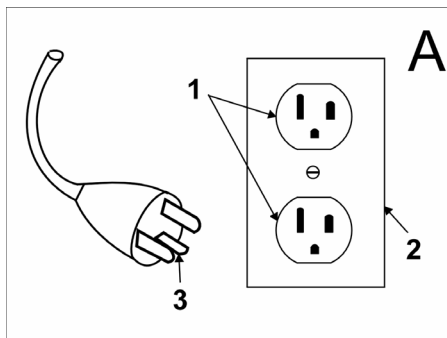
Ne pas modifier la fiche fournie avec l'appareil.

Si la fiche ne rentre pas dans la prise, faites installer une prise appropriée par un électricien qualifié.

Cet appareil est destiné à une utilisation sur un circuit 120 V nominaux, et est équipé d'une prise de terre qui ressemble à la prise illustrée dans la fig. A.

A.

S'assurer que l'appareil est raccordé à une sortie ayant la même configuration de la prise. Il ne faut pas utiliser d'adaptateur avec cet appareil.

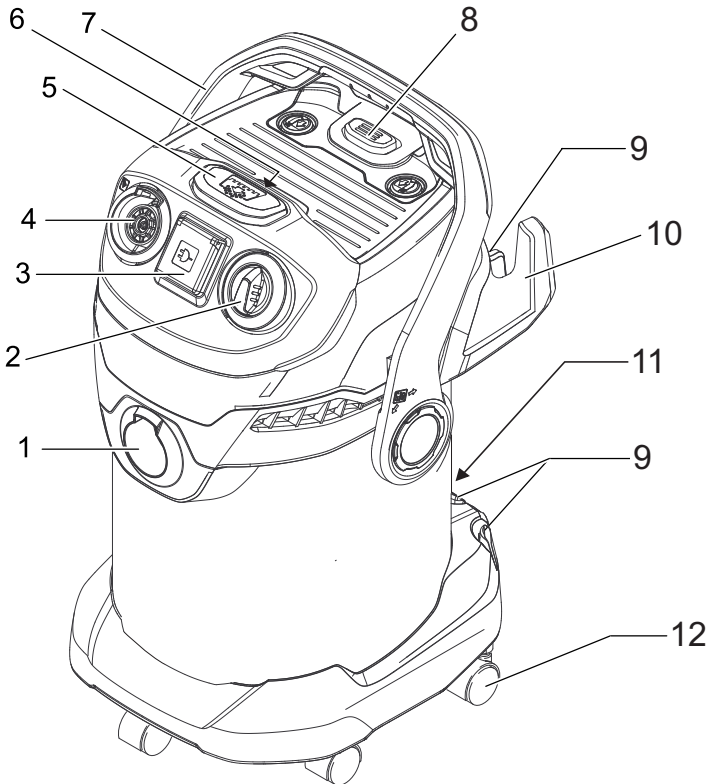


- 1 Prise reliée à la terre
- 2 Socle de prise de courant
- 3 Fiche de mise à terre

Si une rallonge est absolument nécessaire, une rallonge prévue pour un minimum de 15 ampères de calibre 14 doit être utilisée. Les rallonges prévues pour un ampérage inférieur peuvent surchauffer. Veiller à disposer le câble afin qu'il soit ne soit pas tiré et qu'on ne trébuche pas dessus.

GÉNÉRALITÉS

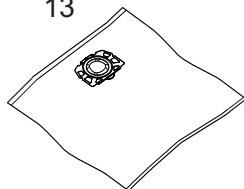
- | | | | |
|---|----------------------------------|----|--|
| 1 | Raccord de flexible d'aspiration | 8 | cassette filtrante et touche de déverrouillage |
| 2 | Interrupteur MARCHÉ/ARRET | 9 | Range-accessoires |
| 3 | Prise de courant de l'appareil | 10 | Crochet de câble |
| 4 | Raccord de soufflerie | 11 | Position de stationnement |
| 5 | touche de nettoyage du filtre | 12 | Roues directionnelles |
| 6 | Poignée concave | | |
| 7 | Étrier support | | |



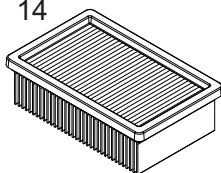
Accessoires

- | | | | |
|----|---------------------------------|----|---|
| 13 | Sac filtrant | 18 | Buse de sol
(avec levier de commutation) |
| 14 | Filtre plat de plis | 19 | Buse à joints |
| 15 | tuyau d'aspiration avec raccord | 20 | Adaptateur |
| 16 | Poignée amovible | | |
| 17 | Tubes d'aspiration 2 x 0,5 m | | |

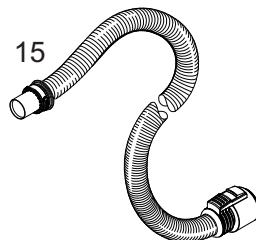
13



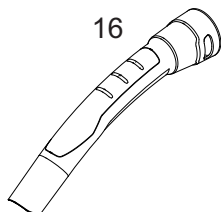
14



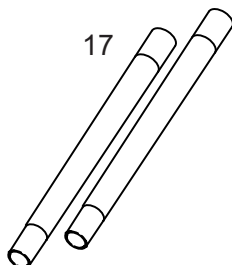
15



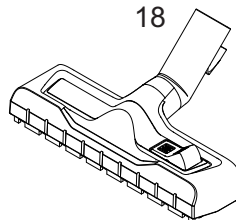
16



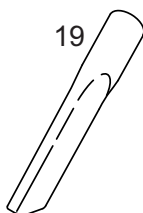
17



18



19



20

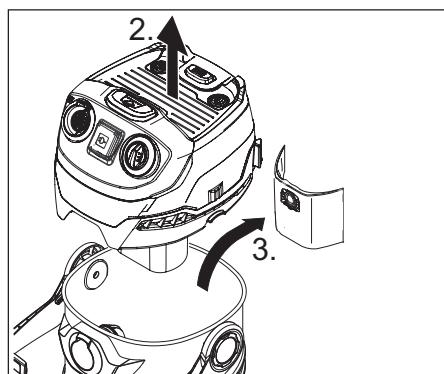
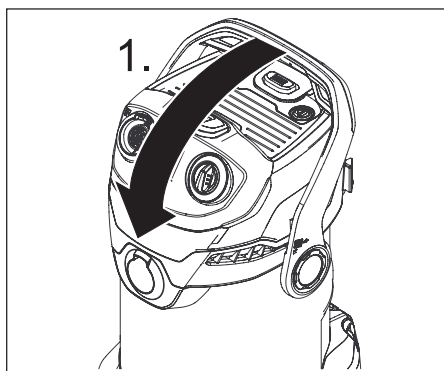


MODE D'EMPLOI

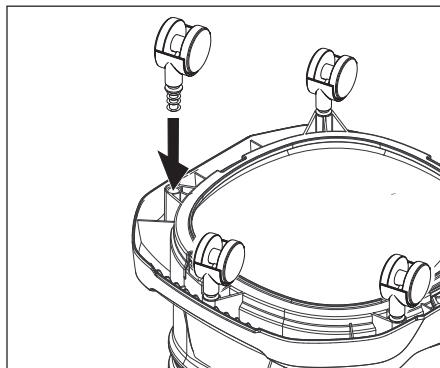
INSTRUCTIONS DE MONTAGE

Remarque

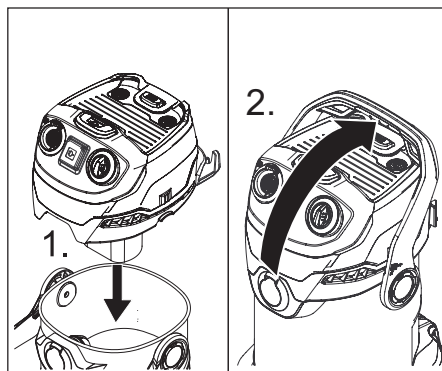
- L'étrier support sert simultanément au verrouillage de la tête d'appareil et du réservoir. Pour déverrouiller l'étrier, le pivoter complètement vers l'avant, jusqu'à ce que le verrouillage soit débloqué.P
 - Après le déverrouillage, saisir la tête de l'appareil au niveau de la poignée concave et la retirer.
- ➔ Retirer la tête de l'appareil et ôter le contenu du réservoir.



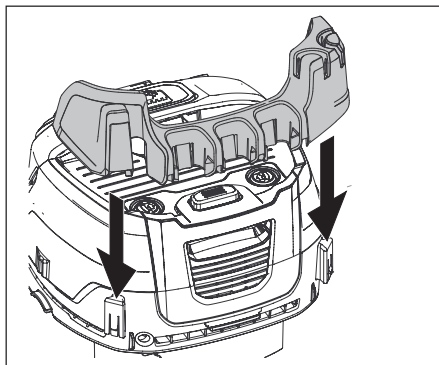
- ➔ Vider la cuve, presser les roulettes pivotants dans l'ouverture au fond de la cuve jusqu'à la butée.



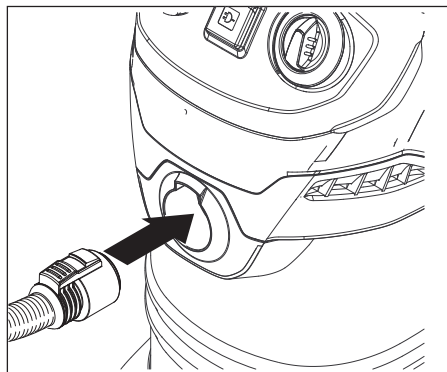
- ➔ Mettre la tête d'appareil en place et la verrouiller.



- Clipser le support pour le logement des accessoires sur la partie arrière de la tête de l'appareil.

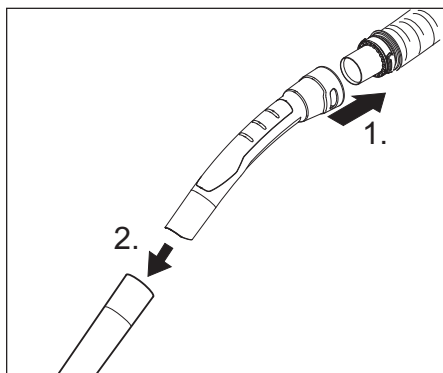


- Enfoncer le flexible d'aspiration dans le raccord sur l'appareil, jusqu'à ce qu'il s'enclenche.

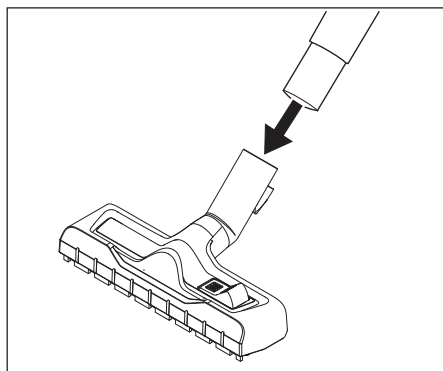


- Raccorder la poignée au tuyau d'aspiration jusqu'à ce qu'il s'enclenche.

- Assembler les deux tubes d'aspiration et les relier à la poignée.

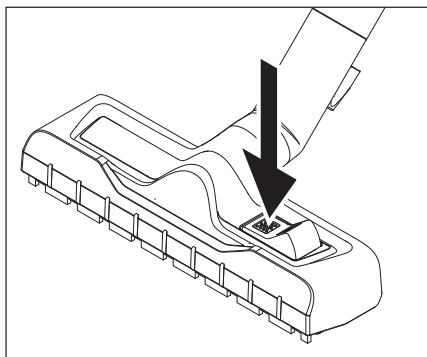


- Connecter la buse pour sol avec les tubes d'aspiration.

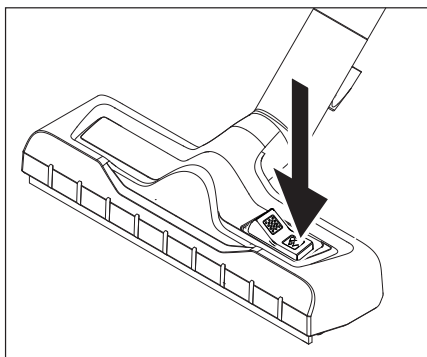


Pour une permutation facile entre les salissures sèches et humides :

- Pour l'aspiration au sol de salissures sèches, utiliser la position avec les bandes de brosse sorties.



- Pour l'aspiration au sol d'eau, utiliser la position avec les lèvres en caoutchouc sorties.



Aspiration de poussières

ATTENTION

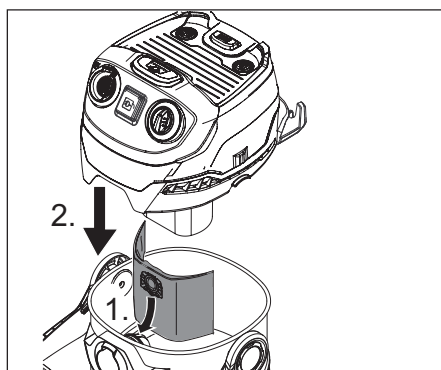
Travailler uniquement avec un filtre plat plissé sec !

Avant l'utilisation, vérifier l'état du filtre et le remplacer en cas de besoin.

Aspiration de cendres froides uniquement avec préséparateur.

référence du modèle de base : 2.863-139.0-0, modèle premium : 2.863-161.0.

- Pour aspirer de salissures sèches, un sac filtrant peut être mis en place en complément, en cas de besoin.



ATTENTION

Activer le nettoyage du filtre uniquement sans le sac filtrant mis en place, étant donné que le sac filtrant pourrait être endommagé.

Aspiration humide

⚠ **AVERTISSEMENT**

En cas de formation de mousse ou de fuite, éteindre immédiatement l'appareil ou bien débrancher la prise secteur!

Remarque : pour l'aspiration humide, le sac filtrant ne doit pas être mis en place !

Remarque : Dès que la cuve est pleine, un flotteur obture l'ouverture d'aspiration et la vitesse de rotation augmente. Arrêter immédiatement l'appareil et vider la cuve.

→ Pour l'aspiration d'humidité ou de particules humides, veiller à la position de la buse pour sol et raccorder un accessoire correspondant.

Mise sous tension de l'appareil

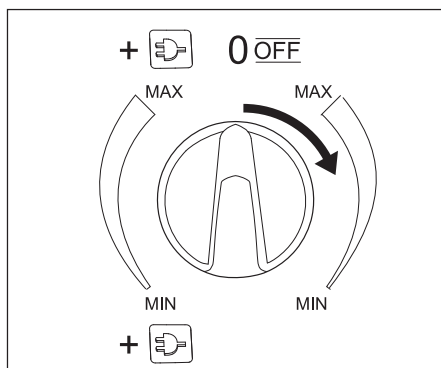
ATTENTION

Toujours travailler avec le filtre plat plissé mis en place, aussi bien pendant l'aspiration humide que pendant l'aspiration à sec !

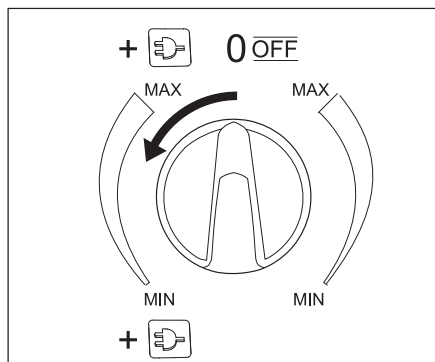
→ Brancher la fiche secteur dans une prise de courant.

→ Démarrer l'appareil

→ **Position MAXI** : aspirer ou souffler.



→ **Position + [plug icon] MAXI** : aspiration avec outil électrique raccordé

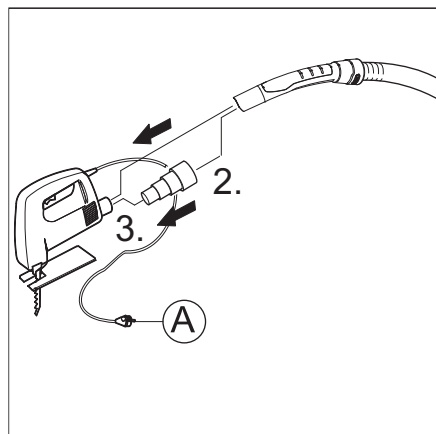
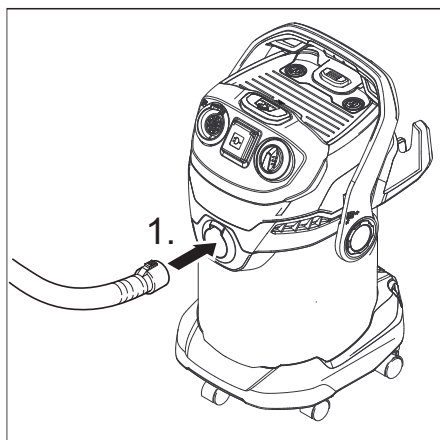


→ Réglage de puissance : si nécessaire, réduire la puissance d'aspiration lors de l'aspiration, du soufflage ou de travaux avec un outil électrique.

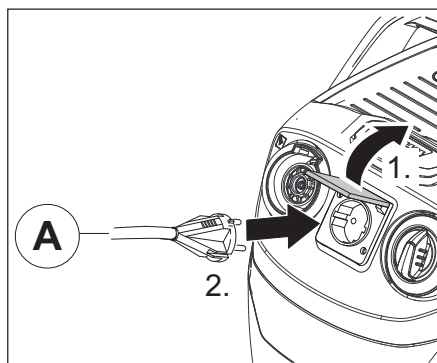
→ **Position 0** : appareil hors circuit. L'outil électrique est alimenté en tension.

Travailler avec des outils électriques

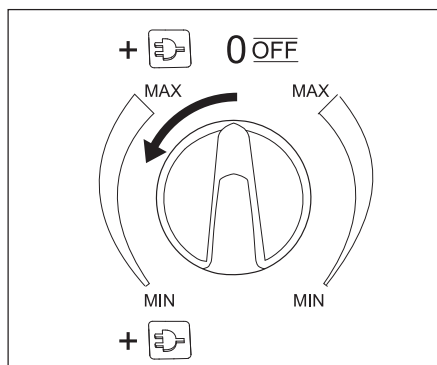
- Si nécessaire, adapter l'adaptateur avec un couteau au diamètre de raccord de l'outil électrique.
- Fixer l'adaptateur fourni sur la poignée du flexible d'aspiration et le relier à l'embout de l'outil électrique.



- Brancher la fiche de secteur de l'outil électrique sur l'aspirateur.



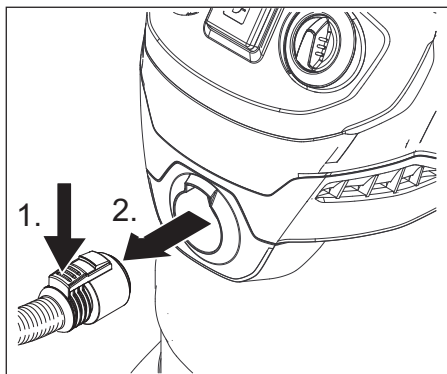
- Mettre l'appareil en marche (en tournant le commutateur rotatif vers la gauche en position + [MAXI] et commencer le travail.



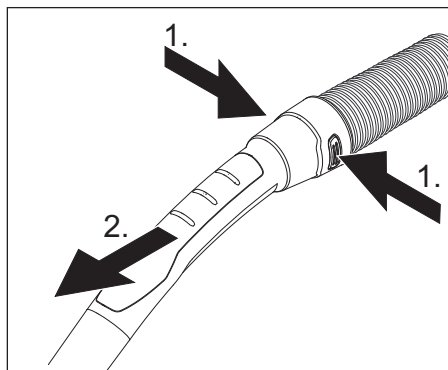
Remarque : Dès que l'outil électrique est mis en marche, la turbine d'aspiration démarre avec une temporisation de 0,5 secondes. Si l'outil électrique est mis hors service, la turbine d'aspiration poursuit encore env. 5 secondes pour absorber les salissures résiduelles dans le tuyau d'aspiration.

Démontage des accessoires

- Pour le retirer, presser le cran d'arrêt du pouce et retirer le flexible d'aspiration.

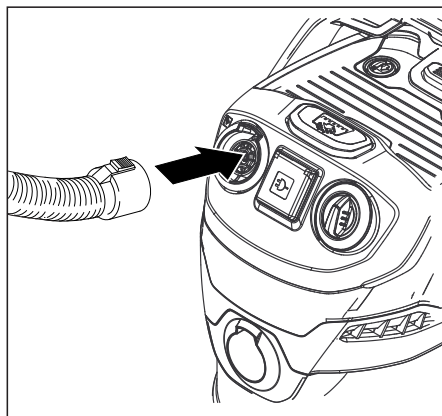


- Pour retirer la poignée du tuyau d'aspiration, appuyer sur le cran avec les pouces et retirer la poignée.



Soufflage

- Insérer le flexible d'aspiration dans le raccord de soufflage pour activer la fonction de soufflage.



Système de nettoyage de filtre intégré

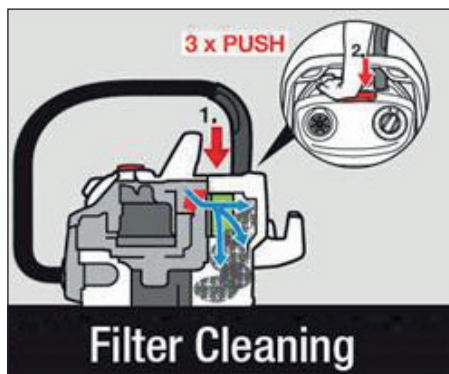
ATTENTION

Activer le nettoyage du filtre *uniquement* sans le sac filtrant mis en place, étant donné que le sac filtrant pourrait être endommagé.

Le système de nettoyage de filtre est prévu pour l'aspiration de grandes quantités de poussières fines sans sac filtrant mis en place.

Remarque : Par le système de nettoyage de filtre, le filtre plat plissé enroulé peut être nettoyé par la pression de bouton et la puissance d'aspiration peut de nouveau être augmentée.

→ Insérer la poignée du flexible d'aspiration dans le logement d'accessoires sur la tête de l'appareil. appuyer 3 fois sur la touche de nettoyage du filtre, pendant que l'appareil est enclenché, et attendre 4 secondes entre chacun des actionnements.

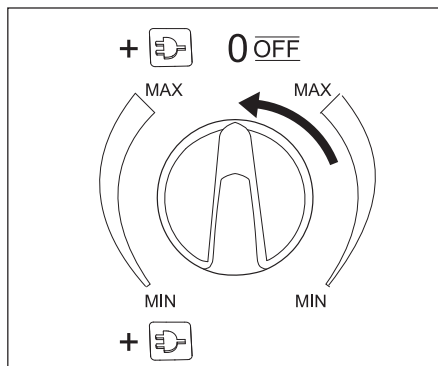


Remarque : Après plusieurs activation de la touche de nettoyage du filtre, vérifier le volume de remplissage du réservoir. Sinon, il n'est pas exclu que de la saleté s'échappe lors de l'ouverture du réservoir.

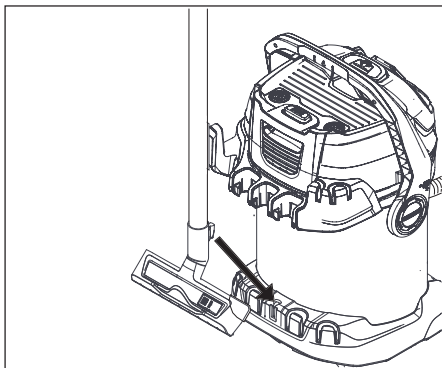
Interrompre le fonctionnement

→ Mettre l'appareil hors tension.

Position 0: appareil hors circuit.

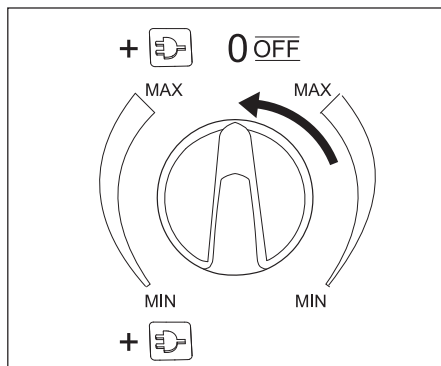


→ Accrocher la buse de sol en position de repos.



Fin de l'utilisation

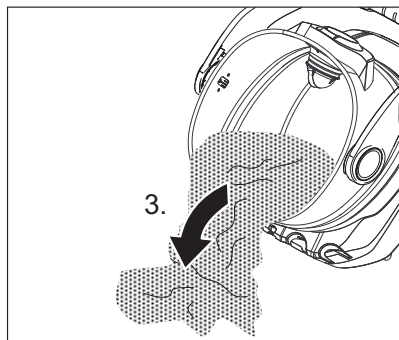
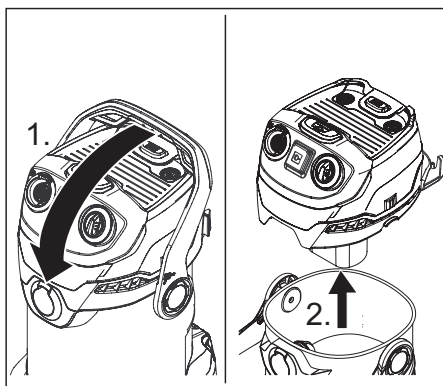
- Mettre l'appareil hors tension.
Position 0: appareil hors circuit.



- Retirer la fiche secteur de la prise de courant.

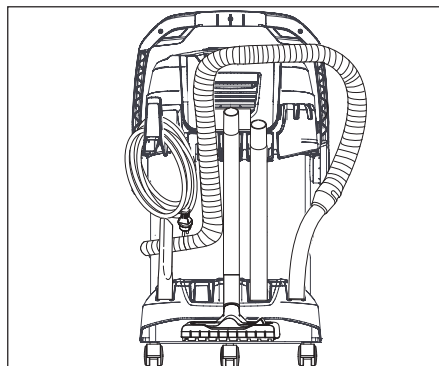
Vider le réservoir

- Retirer la tête d'appareil, vider le réservoir rempli de saletés humides ou sèches.



Ranger l'appareil

- Ranger les accessoires et le câble secteur sur l'appareil et conserver ce dernier dans des pièces sèches.



UTILISATION DES ACCESSOIRES

tuyau d'aspiration avec raccord

Remarque : Les accessoires, comme par ex. les brosses d'aspiration (en o) peuvent être branchées sur le raccord et être ainsi raccordées au tuyau d'aspiration.

Pour un confort de travail dans des espaces réduits.

En cas de besoin, la poignée amovible peut être posée entre l'accessoire et le tuyau d'aspiration.

Recommandation: Pour une aspiration au sol, enficher la poignée sur le tuyau d'aspiration.

Poignée amovible

Remarque : Grâce au retrait de la poignée, des accessoires peuvent également être enfichés directement sur le tuyau d'aspiration.

Recommandation: Pour une aspiration au sol, enficher la poignée sur le tuyau d'aspiration.

Tubes d'aspiration 2 x 0,5 m

Assembler les deux tubes d'aspiration et les relier à la poignée.

Buse à joints

Pour les arêtes, les joints, les radiateurs et les zones difficilement accessibles.

Buse de sol

- Pour l'aspiration au sol de salissures sèches, utiliser la position avec les bandes de brosse sorties.
- Pour l'aspiration au sol d'eau, utiliser la position avec les lèvres en caoutchouc sorties.

Adaptateur

- Pour relier le flexible d'aspiration à un outil électrique
- Si nécessaire, adapter l'adaptateur avec un couteau au diamètre de raccord de l'outil électrique.

Sac filtrant

Remarque : pour l'aspiration humide, le sac filtrant ne doit pas être mis en place !

Recommandation : mettre le sac filtrant en place pour aspirer les poussières fines.

- Le niveau de remplissage du sac à poussière dépend de la saleté aspirée.
- En cas de poussière fine, sable etc... le sac à poussière doit être changé plusieurs fois.
- Les sacs filtrants colmatés pouvant éclater, remplacer le sac filtrant à temps !

Filtre plat de plis

(déjà mise en place dans l'appareil)

ATTENTION

Toujours travailler avec le filtre plat plissé mis en place, aussi bien pendant l'aspiration humide que pendant l'aspiration à sec !

⚠ **DANGER**

Avant tout travail d'entretien et de maintenance, mettre l'appareil hors tension et débrancher la fiche secteur. Seul le service après-vente agréé est autorisé à effectuer des travaux de réparation ou des travaux concernant les pièces électriques de l'appareil.

⚠ **AVERTISSEMENT**

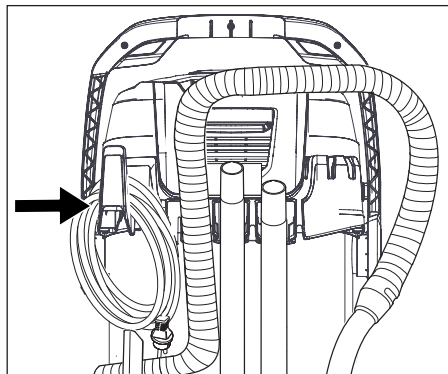
N'utiliser aucun produit moussant, pour vitres ou multi-usage ! Ne jamais plonger l'appareil dans l'eau.

Ne pas plonger l'appareil dans l'eau !

- Entretien l'appareil et les accessoires plastique au moyen d'un nettoyant plastique disponible dans le commerce.
- Rincer cuve et accessoires à l'eau si nécessaire et les sécher avant toute réutilisation.

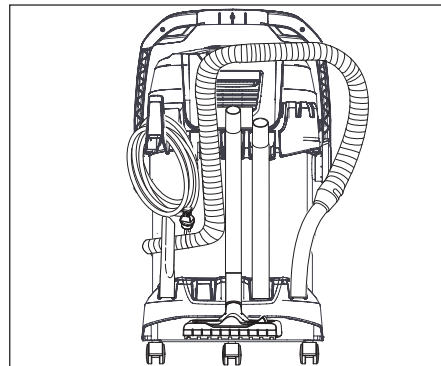
Stockage du cordon

- Entourer le cordon autour du crochet de câble.



Ranger l'appareil

- Stocker les accessoires sur l'appareil.

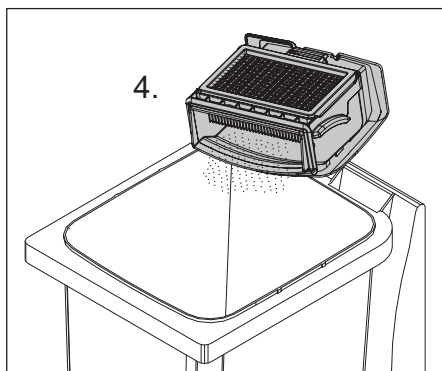
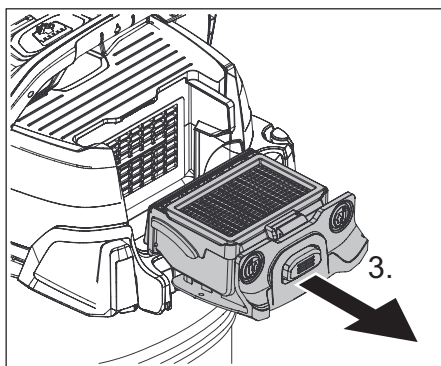
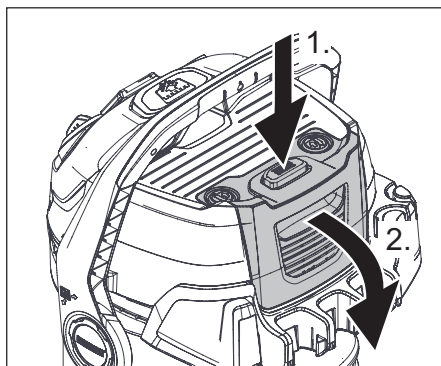


- Stocker l'appareil à l'intérieur dans un endroit frais et sec.

Nettoyage du filtre à plis plat

Recommandation : Nettoyer la cassette filtrante après chaque utilisation.

→ Déverrouiller, déclipser et extraire la cassette filtrante, enlever la poussière de la cassette filtrante dans une poubelle.

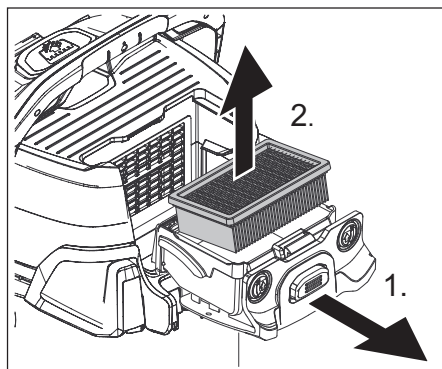


→ Pour nettoyer le filtre plat plissé mis en place, tapoter la cassette filtrante contre le bord d'une poubelle. Pour cela, le filtre plat plissé ne doit pas être sorti de la cassette filtrante.

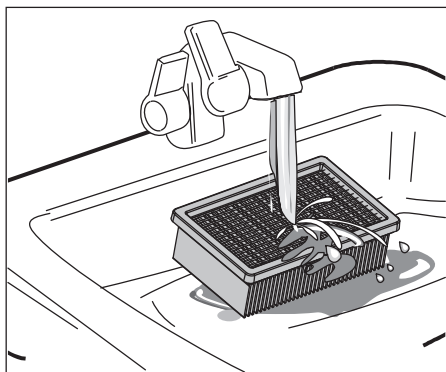
En cas de besoin, nettoyer séparément le filtre plat plissé.

→ Déverrouiller la cassette filtrante, la déclipser et la retirer.

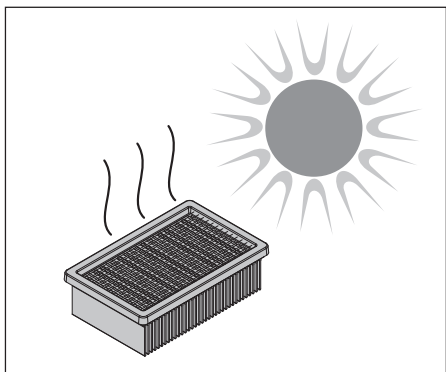
→ Extraire le filtre plat plissé de la cassette filtrante et la tapoter.



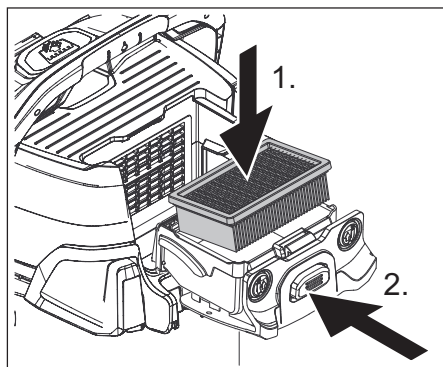
→ Si nécessaire, ne nettoyer la cassette filtrante qu'à l'eau claire, sans la frotter, ni la brosser.



→ La faire complètement sécher avant de l'utiliser.



→ Enfin, monter de nouveau le filtre plat plissé dans l'appareil. Mettre la cassette filtrante en place dans l'appareil.



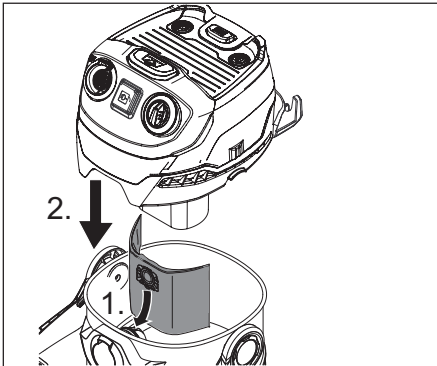
DÉPANNAGE

Les pannes ont souvent des causes simples auxquelles il est facile de remédier soi-même à l'aide de la liste suivante. En cas de doute ou de panne non citée ici, s'adresser au service après-vente agréé.

Faible puissance d'aspiration

Si la puissance d'aspiration baisse, veuillez vérifier les points suivants :

- Accessoires, tuyau d'aspiration ou tubes d'aspiration colmatés, éliminer le colmatage avec un bâton.
- Le sac filtrant est plein : Mettre un nouveau sac filtrant en place.



- le filtre plat plissé est encrassé : retirer la cassette filtrante et nettoyer le filtre (voir le chapitre « Nettoyage du filtre plat plissé »).
- Remplacer le filtre à plis plats endommagé.

This manual was downloaded from

wet-dry-vac.com

The most comprehensive source of information about wet/dry shop vacuums on the Internet!

Wet-dry-vac.com allows you to learn about how to purchase a wet/dry vac, compare and review detailed specifications on hundreds of models, and find compatible filters.

You can also view manuals, parts lists and brochures for hundreds of models. Plus, you can find the best prices for vacuums and filters, and purchase online right from the site.

