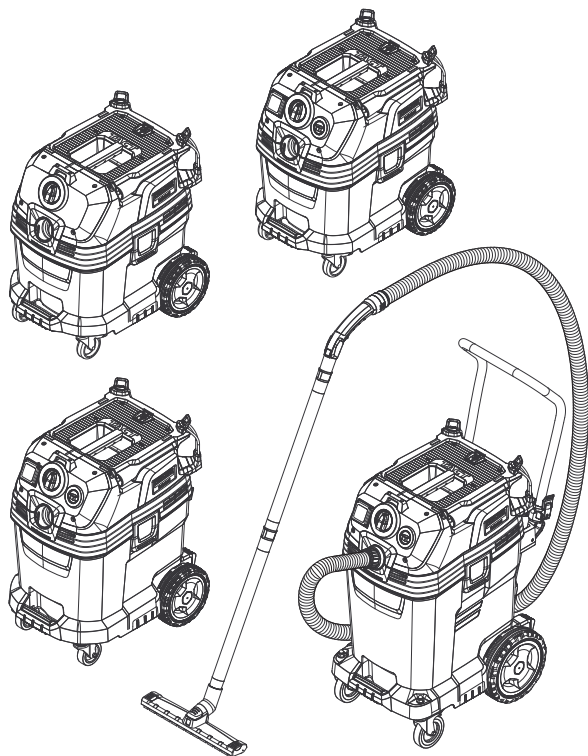


**NT 30/1 Tact, NT 30/1 Tact Te**  
**NT 40/1 Tact, NT 40/1 Tact Te**  
**NT 50/1 Tact, NT 50/1 Tact Te**

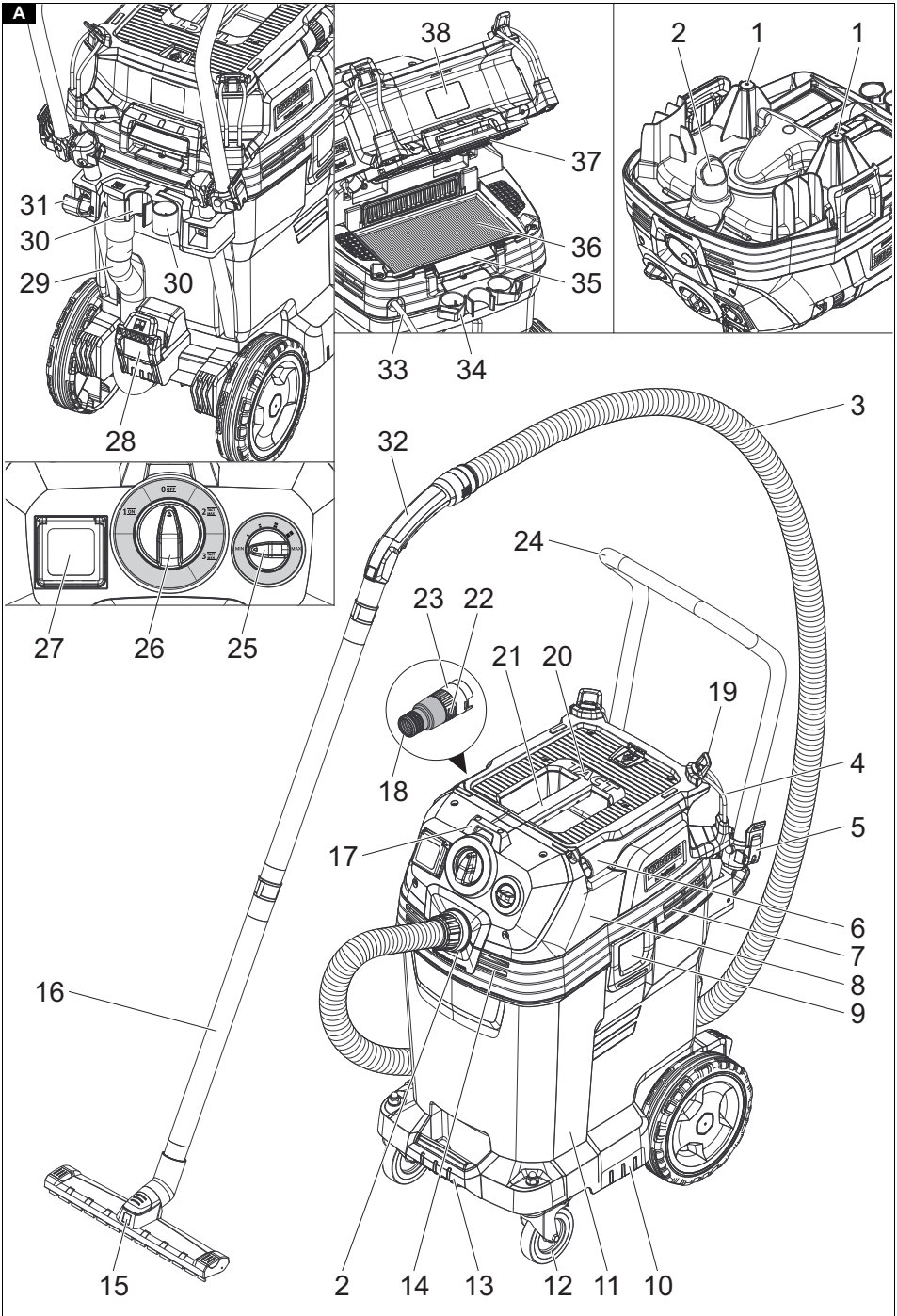
English	6
Français	16
Español	27

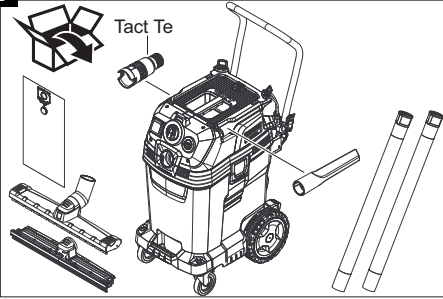
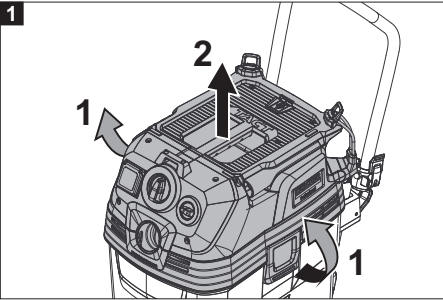
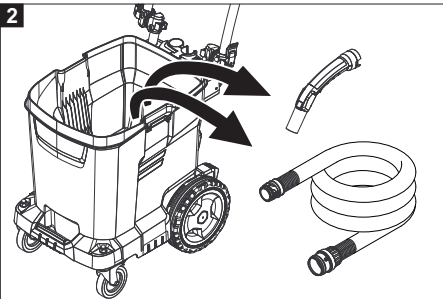
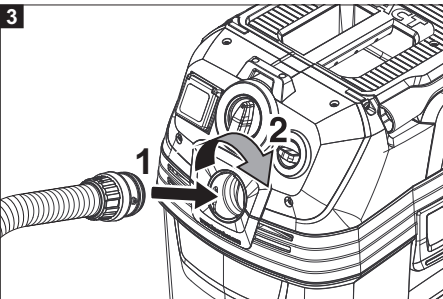
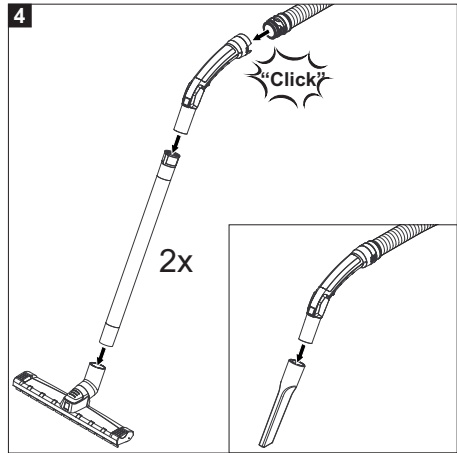
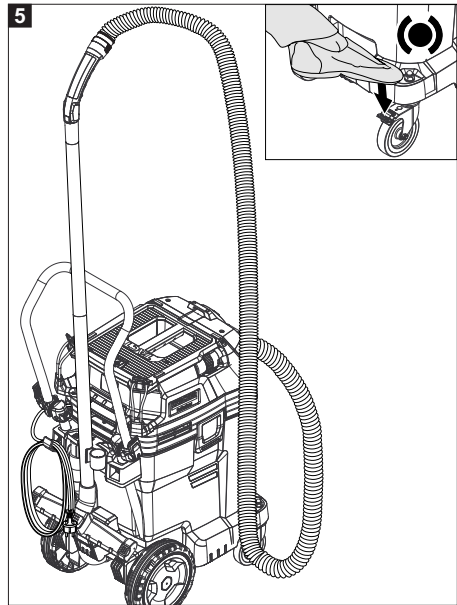


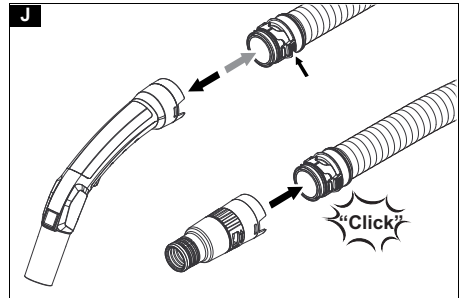
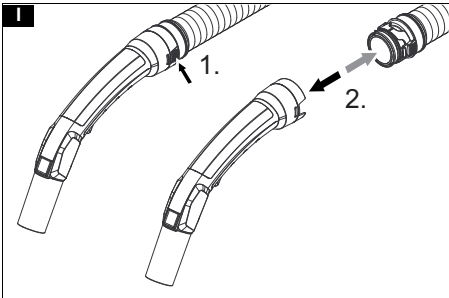
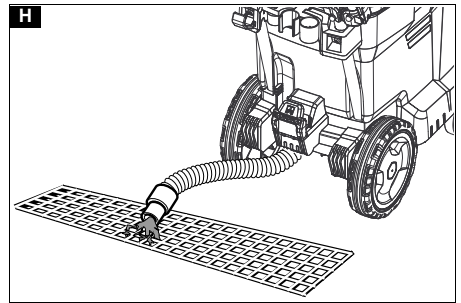
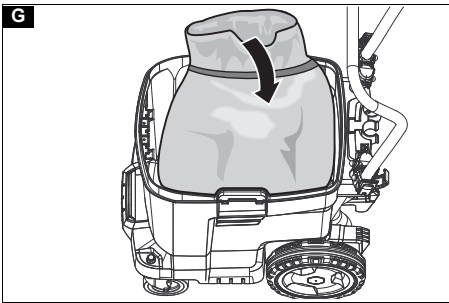
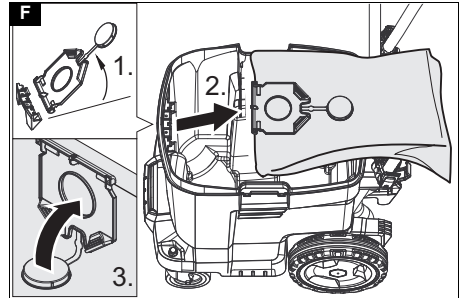
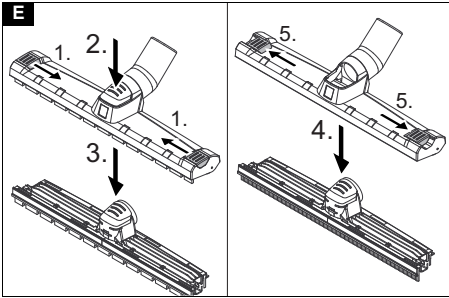
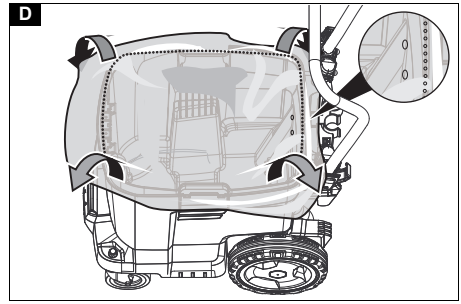
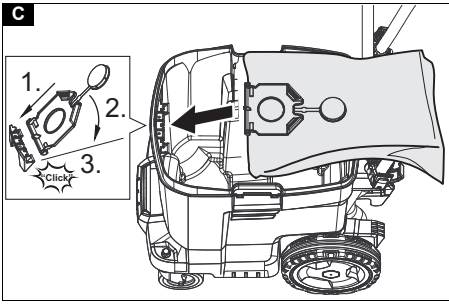
**Register  
your product**  
[www.kaercher.com/welcome](http://www.kaercher.com/welcome)

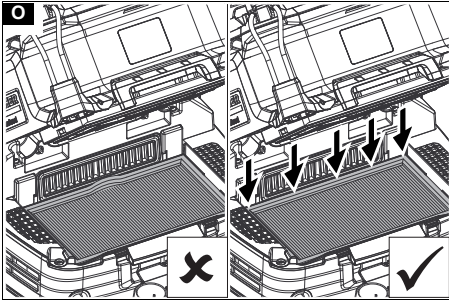
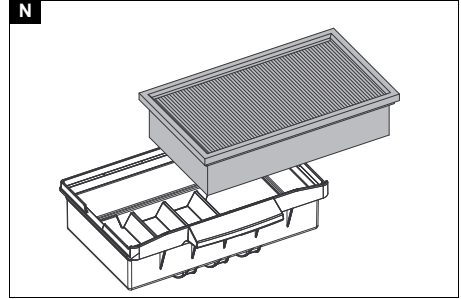
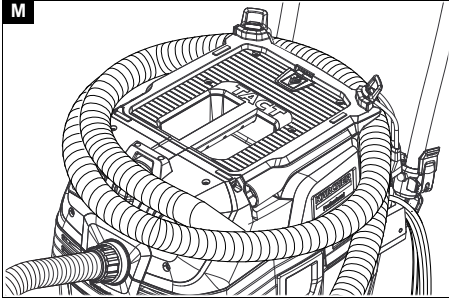
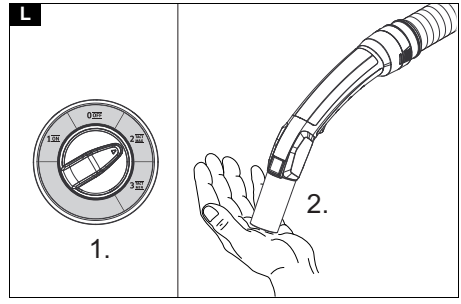
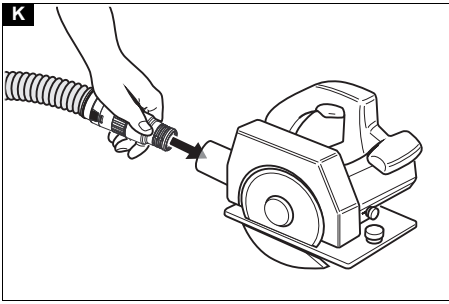


59678610 (10/22)



**B****1****2****3****4****5**





## Contents

IMPORTANT SAFETY INSTRUCTIONS .....	6
General notes .....	8
Environmental protection .....	9
Hazard levels .....	9
Intended use .....	9
Description of the device.....	9
Preparation .....	10
Initial startup.....	10
Operation .....	11
Transport.....	12
Storage .....	12
Care and service.....	12
Troubleshooting guide.....	13
Warranty.....	14
Accessories and spare parts.....	14
Technical data .....	14

## IMPORTANT SAFETY INSTRUCTIONS

### READ ALL INSTRUCTIONS BEFORE USING THIS MACHINE

- Inform your dealer immediately if there is any shipping damage.
- Completely remove the accessories from the box.
- The machine is not suitable for sucking up hazardous dusts as asbestos. Please consult your KÄRCHER branch or your KÄRCHER dealer with regard to such applications.
- Only operate the vacuum from a grounded outlet. Refer to the Technical data for the necessary main fuse.
- **CONNECT VACUUM CLEANER WITH PROPERLY GROUNDED OUTLET ONLY.** See Grounding Instructions.

### SAVE THESE INSTRUCTIONS

**This vacuum is intended for commercial use.**

## SAFETY INSTRUCTIONS

When using an electrical machine, basic precautions should always be followed, including the following:

- 1 **DISCONNECT VACUUM CLEANER FROM POWER CIRCUIT** before removing the cover, performing maintenance work, and when not in use.
- 2 **DO NOT LEAVE** the machine unattended when plugged in.
- 3 **ALWAYS CHECK THE POWER SUPPLY CORD** for damage or signs of any aging before each use.
- 4 **DO NOT PULL OR CARRY VACUUM CLEANER BY CORD.** Do not close door on cord or pull cord around sharp edges.
- 5 **KEEP CORD AWAY FROM HEAT AND OIL.** Do not leave cord lying around after job is complete. It can become a tripping hazard.
- 6 **DO NOT RUN VACUUM OVER CORD.**
- 7 **TURN SWITCH TO OFF** before unplugging power supply cord.
- 8 **DO NOT UNPLUG BY PULLING CORD.** To unplug, grasp plug, not cord.
- 9 **DO NOT GRASP PLUG WITH WET HANDS.**
- 10A **DAMAGED CORD OR PLUG** should only be replaced by an authorized service center representative. **DO NOT ATTEMPT TO REPAIR POWER CORD.**
- 11 **TO AVOID SHOCK,** do not expose to rain. Store indoors.
- 12 **USE ONLY AS RECOMMENDED BY THIS MANUAL.** Use only with recommended attachments.
- 13 **KEEP HAIR, CLOTHING, LOOSE JEWELRY, FINGERS** and all parts of the body away from openings and moving parts.

14DO NOT BLOCK OR OBSTRUCT OPENINGS. Keep openings free of lint, hair, dust, and anything that restricts air flow.

15DO NOT PICK UP ANYTHING THAT IS BURNING, smoldering, or smoking such as matches, cigarettes, or hot ashes.

16DO NOT USE TO VACUUM COMBUSTIBLE EXPLOSIVE MATERIALS, such as coal, grain, and other finely divided combustible material.

17DO NOT USE TO VACUUM COMBUSTIBLE, hazardous, toxic, or carcinogenic materials, including gasoline, diesel fuel, acetone, paint thinner, heating oils, undiluted acids and solvents, pesticide, and asbestos.

18USE RECOMMENDED FILTERS when vacuuming drywall materials.

19DO NOT USE WITHOUT FILTER and/or dust bag in proper place.

20CONNECT VACUUM CLEANER WITH PROPERLY GROUNDED OUTLET ONLY. See Grounding Instructions.

21DO NOT ALLOW VACUUM CLEANER TO BE USED AS A TOY. Keep children away from Vacuum Cleaner.

22DO NOT LEAVE UNATTENDED while Vacuum Cleaner is running.

23DO NOT USE IF CORD, PLUG, FILTER, OR VACUUM CLEANER IS IN POOR CONDITION. If the Vacuum Cleaner has been dropped, damaged, exposed to weather, or dropped into water; have it checked by an authorized service.

24ALWAYS USE EYE PROTECTION when operating Vacuum Cleaner.

25USE EXTRA CAUTION when operating on stairs.

26STAY ALERT! Do not use Vacuum Cleaner when you are tired or under the influence of drugs, alcohol or medication.

## **GROUNDING INSTRUCTIONS**

- This appliance must be grounded. If it should malfunction or break down, grounding provides a path of least resistance for electric current to reduce the risk of electric shock.
- This appliance is equipped with a cord having an equipment grounding conductor and ground plug.
- The plug must be inserted into an appropriate outlet that is properly installed and grounded in accordance with all local codes and ordinances.

## **WARNING:**

- Improper connection of the equipment grounding conductor can result in a risk of electric shock.
- Check with a qualified electrician or service person if you are in doubt as to whether the outlet is properly grounded.
- Do not modify the plug provided with the appliance.
- If it will not fit the outlet, have a proper outlet installed by a qualified electrician.
- This appliance is for use on a nominal 120-volt circuit, and has a grounded plug that looks like the plug illustrated in Fig.A.
- A temporary adapter that looks like the adapter illustrated in Fig.B, may be used to connect this plug to a two-pole receptacle as shown in Fig.B, if a properly grounded outlet is not available.
- The temporary adapter should be used only until a properly grounded outlet (Fig.A) is installed by a qualified electrician.

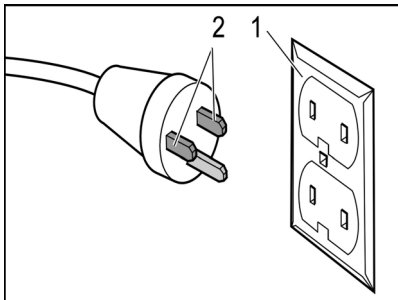
- The green colored rigid ear, lug, or the like extending from the adapter must be connected to a permanent ground such as a properly grounded outlet box cover.
- Whenever the adapter is used, it must be held in place by a metal screw.
- **DO NOT ATTEMPT TO REPAIR POWER CORD.**

**IN ALL CASES, MAKE SURE THE RECEPTACLE IN QUESTION IS PROPERLY GROUNDED. NEVER REMOVE GROUNDING PRONG FROM POWER PLUG.**

### EXTENSION CORDS

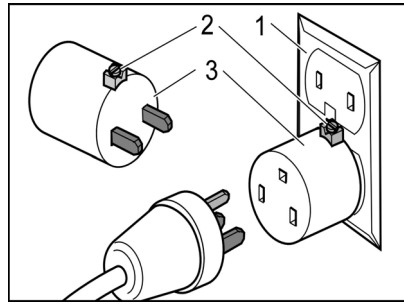
Use only three-wire extension cords that have three-prong grounding-type plugs and three-pole receptacle that accepts the appliance's plug. Replace damaged or worn cord immediately.

**Figure A**



- 1 Grounded outlet box
  - 2 Current carrying prongs
- Grounding prong is longest of the 3 prongs.

**Figure B**



- 1 Grounded outlet box
- 2 Grounding means
- 3 Adapter

## Note

In Canada, the use of a temporary adapter is not permitted by the Canadian Electrical Code.

### Servicing of double-insulated machines

In a double-insulated machine, two systems of insulation are provided instead of grounding. No grounding means is provided on a double-insulated machine, nor should a means for grounding be added to the machine. Servicing a double-insulated machine requires extreme care and knowledge of the system, and should be done only by qualified service personnel. Replacement parts for a double-insulated machine must be identical to the parts they replace.

### General notes



Read the original instructions before using the device for the first time and act in accordance with it. Keep this document for future reference or for future owners.



- If the operating instructions and safety instructions are not observed, the device can be damaged and dangers could arise for users and other persons.
- Notify the dealer immediately in the case of shipping damage.
- Check the package contents when unpacking for missing accessories or for damage.

### Environmental protection



The packing materials can be recycled. Please dispose of packaging in accordance with the environmental regulations.



Electrical and electronic appliances contain valuable, recyclable materials and often components such as batteries, rechargeable batteries or oil, which - if handled or disposed of incorrectly - can pose a potential threat to human health and the environment. However, these components are required for the correct operation of the appliance. Appliances marked by this symbol are not allowed to be disposed of together with the household rubbish.

### Notes on the content materials (REACH)

Current information on content materials can be found at: [www.kaercher.com/REACH](http://www.kaercher.com/REACH)

### Hazard levels

## ⚠ DANGER

- Indication of an imminent threat of danger that will lead to severe injuries or even death.

## ⚠ WARNING

- Indication of a potentially dangerous situation that may lead to severe injuries or even death.

## ⚠ CAUTION

- Indication of a potentially dangerous situation that may lead to minor injuries.

## ATTENTION

- Indication of a potentially dangerous situation that may lead to damage to property.

### Intended use

## ⚠ WARNING

### Health risk

Inhalation of dusts that are harmful to health

Do not use the device for vacuuming up dusts that are harmful to health.

- This wet/dry vacuum cleaner is designed to remove dry dirt and liquids.
- This device is suitable for commercial use, e.g. in hotels, schools, hospitals, factories, shops, offices, and rental companies.

### Description of the device

#### Illustration A

- ① Electrodes
- ② Suction hose port
- ③ Suction hose
- ④ Hose hook
- ⑤ Push handle lock (NT 50/1 only)
- ⑥ Crevice nozzle
- ⑦ Air exit, working air
- ⑧ Suction head
- ⑨ Suction head lock
- ⑩ Recessed grip
- ⑪ Dirt receptacle
- ⑫ Steering roller
- ⑬ Handle
- ⑭ Air inlet, motor cooling air
- ⑮ Floor nozzle
- ⑯ Suction pipe
- ⑰ Tool box end stop
- ⑱ Rubber sleeve, screwable
- ⑲ Fastening eyelet

- ⑳ Filter cover
- ㉑ Carrying handle
- ㉒ Suction control (variable)
- ㉓ Tool adapter (Tact Te only)
- ㉔ Push handle (NT 50/1 only)
- ㉕ Suction power control (min-max) (Tact Te only)
- ㉖ Turn switch
- ㉗ Socket (Tact Te only)
- ㉘ Floor nozzle holder
- ㉙ Drain hose (NT 50/1 only)
- ㉚ Suction pipe holder
- ㉛ Cable hook (NT 50/1 only)
- ㉜ Angle piece
- ㉝ Mains cable
- ㉞ Angle piece holder (NT 30/1, NT 40/1 only)
- ㉟ Filter frame
- ㊱ Flat fold filter (PES)
- ㊲ Filter dedusting
- ㊳ Type plate

## Preparation

1. Unpack the device and install the accessories.

### Illustration B

## Initial startup

# ATTENTION

### Danger due to fine dust entering

Risk of damage to the suction motor.  
Never remove the flat fold filter when vacuuming.

## Anti-static system

Static charges are discharged through the earthed connection nozzles. This prevents sparking and electric shocks with electrically conducting accessories (optional).

## Dry vacuuming

- When vacuuming fine dust, a fleece filter or dust bag (special accessory) can also be used.

## Installing the fleece filter bag

1. Unlock and remove the suction head.
2. Fit the fleece filter bag.

### Illustration C

3. Fit and lock the suction head.

## Installing the dust bag

1. Unlock and remove the suction head.
2. Insert the dust bag (special accessories).

### Illustration D

3. Pull the dust bag (special accessories) over the container. Ensure that the marking line is within the container and both ventilation holes are positioned on the back wall of the container.
4. Fit and lock the suction head.

## Wet vacuum cleaning

### Installing the squeegees

1. Remove the brush strip.
2. Install the squeegees.

### Illustration E

## Removing the fleece filter bag

- The fleece filter bag must always be removed when vacuuming wet substances.
1. Unlock and remove the suction head.
  2. Pull the fleece filter bag on the flange up and out.

### Illustration F

3. Seal the fleece filter bag with cap.
4. Fit and lock the suction head.

## Removing the dust bag

- The dust bag (special accessories) must always be removed when vacuuming wet substances.
1. Unlock and remove the suction head.

2. Fold up the dust bag (special accessories).

### Illustration G

3. Close the dust bag (special accessory) tightly with a cable tie underneath the opening.
4. Take out the dust bag (special accessories).
5. Fit and lock the suction head.

### Draining the waste water

NT 50/1 only:

1. Drain the waste water via the drain hose.

### Illustration H

#### General

- We recommend switching off the "Automatic filter dedusting" function when vacuuming wet dirt with the crevice nozzle or the upholstery nozzle (optional), or when sucking mainly water out of a container.
- The device switches off automatically when the maximum fluid level is reached.
- When vacuuming non-conductive liquids (e.g. drill emulsion, oils and grease) the device does not automatically switch off when the container is full. The filling level must be continuously monitored and the container emptied on a timely basis.
- On completion of wet vacuum cleaning: Clean the flat fold filter using the dedusting function. Clean the electrodes with a brush. Clean the container with a moist cloth and dry it off.

### Clip connection

The suction hose is equipped with a clip system. All accessory parts with a nominal width of 1.38 in (35 mm) can be connected.

### Illustration I

## Operation

### Turn switch

<b>0 OFF</b>	Device OFF
<b>1 ON</b>	Device ON Automatic filter dedusting: OFF
<b>2 TACT MAX</b>	Device ON Automatic filter dedusting: maximum interval
<b>3 TACT MIN</b>	Device ON Automatic filter dedusting: minimum interval

### Switching on the device

1. Connect the mains plug.
2. Set the turn switch to the desired program.

### Adjusting the suction power

**Only for devices with a built-in socket:**

1. Adjust the suction power (min-max) via the rotary control.

### Working with power tools

**Only for devices with a built-in socket:**

## DANGER

### Danger of electric shock

Risk of injury and damage.

The socket is only intended for direct connection of power tools to the vacuum cleaner. Any other use of the socket is prohibited.

1. Plug the mains plug of the power tool into the power socket on the vacuum cleaner. The vacuum cleaner is in Standby mode.
2. Switch on the device at the turn switch.

## Note

The vacuum cleaner is automatically switched on and off with the power tool.

## Note

The vacuum cleaner has a startup delay of up to 0.5 seconds and an after-running time of up to 15 seconds.

## Note

See the Technical data for the permissible power rating of the power tool.

3. Remove the angle piece from the suction hose.

### Illustration J

4. Install the tool adapter on the suction hose.

5. Connect the tool adapter to the power tool.

### Illustration K

### Automatic filter dedusting

The device is equipped with a special filter dedusting function, which is particularly effective against fine dust. The flat fold filter is automatically cleaned every 15 seconds (TACT MAX) or every 60 seconds (TACT MIN) by a blast of air (pulsing noise).

1. Set the turn switch to the desired program (TACT MIN-TACT MAX).
2. Power dedusting (for particularly severe contamination of the flat fold filter): Set the turn switch to program 2, seal the suction pipe or bender with your hand and wait for the automatic filter cleaning to finish (lasts 15 seconds).

### Illustration L

### Switching off the device

1. Switch off the device at the turn switch.
2. Pull out the mains plug.

### Each time after use

1. Empty the container.
2. Vacuum off the inside and outside of the device and clean with a moist cloth.

### Folding the push handle in/out

NT 50/1 only:

1. Release the push handle lock and adjust the push handle.

### Storing the device

1. Store the suction hose and mains cable as shown in the illustration.

### Illustration M

2. Store the device in a dry room and secure it against unauthorised use.

### Transport

## CAUTION

### Failure to observe the weight

Risk of injury and damage

Be aware of the weight of the device during transportation.

1. Remove the suction hose with floor nozzle from the support. Carry the device by the carrying handle and the suction pipe, not by the push handle.
2. When transporting the device in vehicles, secure it to prevent it from slipping or overturning in accordance with the respective valid guidelines.

### Storage

## CAUTION

### Failure to observe the weight

Risk of injury and damage

Be aware of the weight of the device during storage.

The device may only be operated indoors.

### Care and service

## DANGER

### Danger of electric shock

Injuries due to touching live parts

Switch off the device.

Remove the mains plug.

## Replacing the flat fold filter

1. Open the filter cover.
2. Remove the filter frame.  
**Illustration N**
3. Remove the flat fold filter.
4. Fit the new flat fold filter. During insertion, ensure that the flat fold filter is flush on all sides.
5. Insert the filter frame.
6. Close the filter cover until it audibly latches into place.

## Changing the fleece filter bag

1. Unlock and remove the suction head.
2. Pull the fleece filter bag on the flange up and out.  
**Illustration F**
3. Seal the fleece filter bag with cap.
4. Fit the new fleece filter bag.
5. Fit and lock the suction head.

## Changing the dust bag

1. Unlock and remove the suction head.
2. Fold up the dust bag (special accessories).

### Illustration G

3. Close the dust bag (special accessory) tightly with a cable tie underneath the opening.
4. Take out the dust bag (special accessories).
5. Insert the new dust bag (special accessories).
6. Pull the dust bag (special accessories) over the container. Ensure that the marking line is within the container and both ventilation holes are positioned on the back wall of the container.
7. Fit and lock the suction head.

## Cleaning the electrodes

1. Unlock and remove the suction head.
2. Clean the electrodes with a brush.
3. Fit and lock the suction head.

## Troubleshooting guide

### **DANGER**

#### **Danger of electric shock**

Injuries due to touching live parts  
Switch off the device.

Remove the mains plug.

#### **Suction turbine does not start up**

1. Check the socket and the power supply fuse.
2. Check the mains cable, mains plug, electrodes and (if necessary) the power socket on the device.
3. Switch on the device.

#### **Suction turbine switches off**

1. Empty the container.

#### **Suction turbine does not switch on again after emptying the container**

1. Switch off the device and wait for 5 seconds. Switch on the device.
2. Clean the electrodes with a brush.

#### **Suction power decreases**

1. Remove any blockages from the suction nozzle, suction pipe, suction hose or flat fold filter.
2. Change the filled fleece filter bag.
3. Change the filled dust bag (special accessories).
4. Correctly engage the filter cover.
5. Replace the flat fold filter.
6. NT 50/1 only: Check the drain hose for leaks.

#### **Escaping dust when vacuuming**

1. Check that the flat fold filter is correctly fitted and correct if necessary.

### **Illustration O**

2. Replace the flat fold filter.

## The automatic switch-off mechanism (wet vacuum cleaning) does not trigger

1. Clean the electrodes with a brush.
2. Continuously monitor the filling level when vacuuming non-conductive liquids.

## Automatic filter dedusting not working

1. Suction hose not connected.

## The automatic filter dedusting function cannot be switched off

1. Contact Customer Service.

## The automatic filter dedusting function cannot be switched on

1. Contact Customer Service.

## Customer Service department

If the malfunction cannot be corrected, the device must be checked by the Customer Service department.

## Warranty

The warranty conditions issued by our relevant sales company apply in all countries. We shall remedy possible malfunctions on your appliance within the warranty period free of cost, provided that a material or manufacturing defect is the cause. In a warranty case, please contact your dealer (with the purchase receipt) or the next authorised customer service site.

(See overleaf for the address)

## Accessories and spare parts

Only use original accessories and original spare parts. They ensure that the appliance will run fault-free and safely. Information on accessories and spare parts can be found at

[www.kaercher.com](http://www.kaercher.com).

## Technical data

		NT 30/1 Tact	NT 30/1 Tact Te	NT 40/1 Tact	NT 40/1 Tact Te	NT 50/1 Tact	NT 50/1 Tact Te
<b>Electrical connection</b>							
Mains voltage	V	120	120	120	120	120	120
Phase	~	1	1	1	1	1	1
Power frequency	Hz	60	60	60	60	60	60
Degree of protection		IPX4	IPX4	IPX4	IPX4	IPX4	IPX4
Protection class		I	I	I	I	I	I
Rated current	A	9	15	9	15	9	15
Power rating of the device socket	A		6		6		6
<b>Device performance data</b>							
Tank content	gal (l)	8.2 (31)	8.2 (31)	10.3 (39)	10.3 (39)	13.5 (51)	13.5 (51)
Fluid filling quantity	gal (l)	4.5 (17)	4.5 (17)	6.3 (24)	6.3 (24)	9.2 (35)	9.2 (35)
Air quantity (max.)	CFM (l/s)	150 (71)	150 (71)	150 (71)	150 (71)	150 (71)	150 (71)
Vacuum (max.)	mm (kPa)	2468 (24.2)	2468 (24.2)	2468 (24.2)	2468 (24.2)	2468 (24.2)	2468 (24.2)

		NT 30/1 Tact	NT 30/1 Tact Te	NT 40/1 Tact	NT 40/1 Tact Te	NT 50/1 Tact	NT 50/1 Tact Te
<b>Dimensions and weights</b>							
Typical operating weight	lbs (kg)	29.8 (13.5)	29.8 (13.5)	31.7 (14.4)	31.7 (14.4)	40.3 (18.3)	40.3 (18.3)
Length x width x height	in (mm)	22.0 x	22.0 x	22.0 x	22.0 x	25.2 x	25.2 x
		14.6 x	14.6 x	14.6 x	14.6 x	14.6 x	14.6 x
		22.8	22.8	25.8	25.8	41.1	41.1
		(560 x 370 x 580)	(560 x 370 x 580)	(560 x 370 x 655)	(560 x 370 x 655)	(640 x 370 x 1045)	(640 x 370 x 1045)
Filter area of the flat fold filter	sq ft (m <sup>2</sup> )	6.5 (0.6)	6.5 (0.6)	6.5 (0.6)	6.5 (0.6)	6.5 (0.6)	6.5 (0.6)
Diameter of the suction hose	in (mm)	1.38 (35)	1.38 (35)	1.38 (35)	1.38 (35)	1.38 (35)	1.38 (35)
Length of the suction hose	ft (m)	8.2 (2.5)	13.1 (4.0)	8.2 (2.5)	13.1 (4.0)	8.2 (2.5)	13.1 (4.0)
<b>Determined values in acc. with EN 60335-2-69</b>							
Sound pressure level L <sub>pA</sub>	dB(A)	68	68	68	68	68	68
Uncertainty K <sub>pA</sub>	dB(A)	1	1	1	1	1	1
<b>Mains cable</b>							
Power cord type		SJOW 3/16 AWG	SJOW 3/14 AWG	SJOW 3/16 AWG	SJOW 3/14 AWG	SJOW 3/16 AWG	SJOW 3/14 AWG
Part number (CUL)		6.650- 829.0	6.650- 530.0	6.650- 829.0	6.650- 530.0	6.650- 829.0	6.650- 530.0
Cable length	ft (m)	25 (7.5)	25 (7.5)	25 (7.5)	25 (7.5)	25 (7.5)	25 (7.5)

Subject to technical modifications.

## Contenu

CONSIGNES DE SÉCURITÉ IMPORTANTES.....	16
Remarques générales.....	19
Protection de l'environnement.....	19
Niveaux de danger.....	19
Utilisation conforme.....	20
Description de l'appareil.....	20
Préparation.....	20
Mise en service.....	20
Commande.....	22
Transport.....	23
Stockage.....	23
Entretien et maintenance.....	23
Dépannage en cas de défaut.....	24
Garantie.....	25
Accessoires et pièces de rechange.....	25
Caractéristiques techniques.....	25

## CONSIGNES DE SÉCURITÉ IMPORTANTES

### OBSERVEZ LES POINTS SUIVANTS AVANT LA MISE EN SERVICE DE L'APPAREIL

- Informer immédiatement votre fournisseur en cas de constat de dommage dû au transport.
- Sortir tous les accessoires de l'emballage.
- La machine n'est pas adaptée à l'aspiration de poussières dangereuses telles que celles d'amiante. Veuillez consulter votre spécialiste KÄRCHER ou votre distributeur KÄRCHER pour de telles utilisations.
- Utiliser l'aspirateur uniquement avec une prise de courant reliée à la terre. Consulter les données techniques pour le fusible principal requis.
- **RACCORDER L'ASPIRATEUR A UNE PRISE DE COURANT CORRECTEMENT RELIÉE A LA TERRE.** Voir les consignes de mise à la terre.

### CONSERVER CES CONSIGNES

**Cet aspirateur est prévu pour une utilisation professionnelle.**

## CONSIGNES DE SÉCURITÉ

Lorsque vous utilisez un appareil électrique, vous devez prendre certaines précautions de base, dont la suivante :

- 1 Avant de retirer le cache, de réaliser les travaux d'entretien et en cas de non-utilisation **DEBRANCHER L'ASPIRATEUR DU CIRCUIT ELECTRIQUE PRINCIPAL.**
- 2 **NE PAS LAISSER** la machine sans surveillance lorsque la fiche est branchée.
- 3 **CONTROLLER**, avant chaque utilisation, l'absence de dommages ou les signes de vieillissement sur le **CABLE DE BRANCHEMENT AU SECTEUR.**
- 4 **NE PAS TIRER, NI PORTER L'ASPIRATEUR PAR LE CABLE SECTEUR.** Ne pas coincer le câble dans une porte ni le tirer sur des bords acérés.
- 5 **MAINTENIR LE CABLE DE BRANCHEMENT AU SECTEUR ELOIGNE DE LA CHALEUR ET DE L'HUILE.** Ne pas laisser traîner le câble de branchement au secteur une fois les travaux terminés. Il peut être source de trébuchement.
- 6 **NE PAS LAISSER L'ASPIRATEUR ROULER SUR LE CABLE DE BRANCHEMENT AU SECTEUR.**
- 7 **COUPER L'INTERRUPTEUR** avant de débrancher la fiche secteur.
- 8 **NE PAS DEBRANCHER LA FICHE SECTEUR DE LA PRISE DE COURANT EN TIRANT SUR LE CABLE DE BRANCHEMENT AU SECTEUR.** Pour débrancher le secteur, tirer sur la fiche secteur, pas sur le câble de branchement au secteur.
- 9 **NE PAS TOUCHER LA FICHE SECTEUR AVEC LES MAINS MOUILLEES.**



- 10 Seul un collaborateur autorisé du service après-vente est habilité à remplacer UN CABLE DE BRANCHEMENT AU SECTEUR ENDOMMAGE OU UNE FICHE SECTEUR ENDOMMAGEE. NE PAS TENTER DE REPARER LE CABLE DE BRANCHEMENT AU SECTEUR.
- 11 POUR EVITER TOUT RISQUE D'ELECTROCUTION, ne pas placer l'appareil sous la pluie. Stocker à l'intérieur.
- 12 UTILISER CE MANUEL UNIQUEMENT CONFORMEMENT AUX RECOMMANDATIONS. Utilisation uniquement avec les extensions recommandées.
- 13 Maintenir les CHEVEUX, VETEMENTS, BIJOUX PENDANTS, DOIGTS et tous les membres du corps éloignés des ouvertures et des pièces mobiles.
- 14 NE PAS COUVRIR NI FERMER LES OUVERTURES. Maintenir les ouvertures à l'abri des peluches, cheveux et de la poussière, en particulier lorsque ceux-ci gênent le flux d'air.
- 15 NE PAS ASPIRER CE QUI BRULE, gonfle ou fume comme les allumettes, les cigarettes ou la cendre chaude.
- 16 NE PAS ASPIRER DE MATÉRIAUX COMBUSTIBLES EXPLOSIFS, tels que charbon, grains et autres matériaux combustibles finement divisés.
- 17 NE PAS ASPIRER DE MATÉRIAUX COMBUSTIBLES, dangereux, toxiques ou cancérigènes comme l'essence, le gas-oil, l'acétone, les diluants à peinture, le fuel domestique, les acides et les solvants non dilués, les pesticides et l'amiante.
- 18 UTILISER LES FILTRES RECOMMANDÉS pour aspirer des matériaux en carton-plâtre.
- 19 NE PAS UTILISER SANS FILTRE ou sac à poussières mal installés.
- 20 RACCORDER L'ASPIRATEUR A UNE PRISE DE COURANT CORRECTEMENT RELIÉE A LA TERRE. Voir les consignes de mise à la terre.
- 21 NE PAS LAISSER L'ASPIRATEUR ÊTRE UTILISÉ COMME UN JOUET. Tenir les enfants éloignés de l'aspirateur.
- 22 NE PAS LAISSER l'aspirateur en marche SANS SURVEILLANCE.
- 23 NE PAS UTILISER SI LE CABLE DE BRANCHEMENT AU SECTEUR, LA FICHE SECTEUR, LE FILTRE OU L'ASPIRATEUR SONT EN MAUVAIS ETAT. Faire contrôler l'aspirateur par un service après-vente autorisé s'il est tombé, endommagé, a été soumis à certaines conditions climatiques ou est tombé dans l'eau.
- 24 PORTER SYSTEMATIQUÉMENT DES LUNETTES DE PROTECTION lors de l'utilisation de l'aspirateur.
- 25 ÊTRE PARTICULIÈREMENT ATTENTIF, lors de l'utilisation dans des escaliers.
- 26 RESTER ATTENTIF ! Ne pas utiliser l'aspirateur en cas de fatigue ni sous l'influence de drogues, d'alcool ou de médicaments.

### **INSTRUCTIONS DE MISE À LA TERRE**

- Cet appareil doit être relié à la terre. En cas de défaut ou de panne, la liaison à la terre fournit une résistance moins forte au courant électrique pour réduire le risque d'électrocution.

- Cet appareil est équipé d'un câble de branchement au secteur avec conducteur de terre et fiche Schuko.
- La fiche doit être branchée dans une prise de courant adaptée installée et reliée à la terre conformément à toutes les prescriptions et ordonnances légales locales.

#### **AVERTISSEMENT :**

- Un raccordement incorrect du conducteur de terre de l'appareil peut entraîner un risque d'électrocution.
- Contacter un électricien spécialisé ou un collaborateur du service après-vente en cas de doute sur la mise à la terre correcte de la prise de courant.
- Ne pas modifier la fiche fournie avec l'appareil.
- Si la fiche ne rentre pas dans la prise de courant, faire installer une prise de courant adaptée par un électricien spécialisé.
- Cet appareil est destiné à une utilisation sur un circuit 120 V nominal, et est équipé d'une prise de terre qui ressemble à la prise illustrée dans la fig. A.
- Un adaptateur temporaire qui ressemble à l'adaptateur illustré dans la fig. B peut être utilisé pour connecter cette fiche au réceptacle deux pôles comme indiqué dans la fig. B si une prise correctement reliée à la terre n'est pas disponible.
- L'adaptateur temporaire doit être utilisé uniquement jusqu'à ce qu'une prise correctement reliée à la terre (fig. A) soit installée par un électricien qualifié.

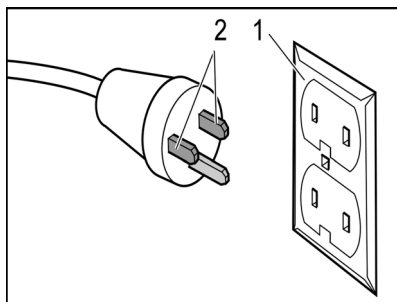
- L'oreille rigide de couleur verte, la lame ou l'équivalent étendu depuis l'adaptateur doit être connecté à une terre permanente comme un couvercle de prise relié correctement à la terre.
- Quel que soit l'endroit où l'adaptateur est utilisé, il doit être maintenu en place par une vis métallique.
- **NE PAS TENTER DE REPARER LE CABLE DE BRANCHEMENT AU SECTEUR.**

**S'ASSURER, DANS TOUS LES CAS, QUE LA PRISE DE COURANT CORRESPONDANTE EST CORRECTEMENT RELIÉE À LA TERRE. NE JAMAIS RETIRER LA BROCHE DE LIAISON À LA TERRE DE LA FICHE SECTEUR.**

#### **CABLE DE RALLONGE**

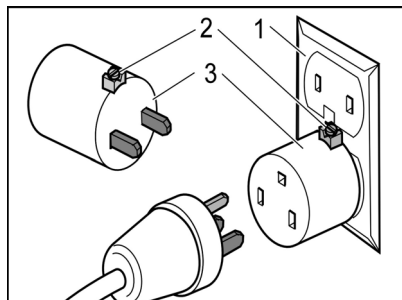
Utiliser exclusivement un câble de rallonge à trois brins avec une fiche à trois pôles reliée à la terre et une prise de courant à trois pôles dans laquelle la fiche de l'appareil peut être branchée. Remplacer immédiatement tout câble endommagé ou usé.

**Figure A**



- 1 Socle de prise de courant  
 2 Languettes conduisant le courant  
 La languette de terre est la plus longue.

**Figure B**



- 1 Socle de prise de courant
- 2 Moyens de mise à la terre
- 3 Adapteur

## Remarque

Au Canada, conformément au Canadian Electrical Code, l'utilisation d'un adaptateur provisoire n'est pas autorisée.

### Maintenance d'appareils à double isolation

Les appareils à double isolation sont équipés de deux systèmes d'isolation en place de la liaison à la terre. L'appareil à double isolation ne présente pas de moyen de protection à la terre et ne doit pas se voir ajouter de moyen de protection à la terre. La maintenance d'un appareil à double isolation requiert une attention extrême ainsi que des connaissances du système et doit être réalisée uniquement par un personnel de maintenance qualifié. Les pièces de rechange pour un appareil à double isolation doivent être identiques aux pièces à remplacer.

### Remarques générales



Veillez lire ce manuel



d'instructions original avant

la première utilisation de votre appareil et agissez conformément. Conservez ce document pour une utilisation ultérieure ou pour le propriétaire suivant.

- Le non-respect du manuel d'utilisation et des consignes de sécurité peut entraîner des dommages sur l'appareil et des dangers pour l'opérateur et d'autres personnes.
- Informer immédiatement le vendeur en cas de dommage dû au transport.
- Vérifiez le contenu de l'emballage lors du déballage, qu'il ne manque pas d'accessoires et qu'il n'y a pas de dommage.

### Protection de l'environnement



Les matériaux d'emballage sont recyclables. Veuillez éliminer les emballages dans le respect de l'environnement.



Les appareils électriques et électroniques contiennent des matériaux précieux recyclables et souvent des composants tels que des piles, batteries ou de l'huile représentant un danger potentiel pour la santé humaine et l'environnement, s'ils ne sont pas manipulés ou éliminés correctement. Ces composants sont cependant nécessaires pour le fonctionnement correct de l'appareil. Les appareils marqués par ce symbole ne doivent pas être jetés dans les ordures ménagères.

### Remarques concernant les matières composantes (REACH)

Les informations actuelles concernant les matières composantes sont disponibles sous : [www.kaercher.com/REACH](http://www.kaercher.com/REACH)

### Niveaux de danger

## ⚠ DANGER

- Indique un danger immédiat qui peut entraîner de graves blessures corporelles ou la mort.

## **⚠ AVERTISSEMENT**

- Indique une situation potentiellement dangereuse qui peut entraîner de graves blessures corporelles ou la mort.

## **⚠ PRÉCAUTION**

- Indique une situation potentiellement dangereuse qui peut entraîner des blessures légères.

## **ATTENTION**

- Indique une situation potentiellement dangereuse qui peut entraîner des dommages matériels.

### **Utilisation conforme**

## **⚠ AVERTISSEMENT**

### **Risque pour la santé**

Inhalation de poussières nocives

Ne pas utiliser l'appareil pour l'aspiration de poussières nocives.

- Cet aspirateur eau/poussière est destiné à l'élimination de la saleté sèche et des liquides.
- Cet appareil est adapté à une utilisation professionnelle, p. ex. dans les hôtels, écoles, hôpitaux, usines, magasins, bureaux et loueurs.

### **Description de l'appareil**

#### **Illustration A**

- ① Electrodes
- ② Tubulure d'aspiration
- ③ Tuyau d'aspiration
- ④ Crochet de fixation du tuyau
- ⑤ Verrouillage du guidon (uniquement NT 50/1)
- ⑥ Suceur fentes
- ⑦ Évacuation, air de travail
- ⑧ Tête d'aspiration
- ⑨ Verrouillage de la tête d'aspiration
- ⑩ Poignée encastrée
- ⑪ Collecteur d'impuretés
- ⑫ Roue directionnelle
- ⑬ Poignée

- ⑭ Entrée d'air, air de refroidissement du moteur
- ⑮ Buse pour sol
- ⑯ Tube d'aspiration
- ⑰ Butée pour la caisse à outils
- ⑱ Manchon en caoutchouc, vissable
- ⑲ Œillet de fixation
- ⑳ Cache de filtre
- ㉑ Poignée de transport
- ㉒ Régulateur d'aspiration (stepless)
- ㉓ Adaptateur d'outil (uniquement Tact Te)
- ㉔ Guidon (uniquement NT 50/1)
- ㉕ Bouton rotatif pour la puissance d'aspiration (min-max) (uniquement Tact Te)
- ㉖ Bouton rotatif
- ㉗ Prise de courant (uniquement Tact Te)
- ㉘ Support pour buse de sol
- ㉙ Flexible de vidange (uniquement NT 50/1)
- ㉚ Support pour tube d'aspiration
- ㉛ Crochet de câbles (uniquement NT 50/1)
- ㉜ Coude
- ㉝ Câble secteur
- ㉞ Manche pour le coude (uniquement NT 30/1, NT 40/1)
- ㉟ Cadre de filtre
- ㊱ Filtre plat plissé (PES)
- ㊲ Nettoyage de filtre
- ㊳ Plaque signalétique

### **Préparation**

1. Déballez l'appareil et assemblez les accessoires.

#### **Illustration B**

### **Mise en service**

## **ATTENTION**

**Danger dû à la pénétration de poussière fine**

Risque d'endommagement du moteur thermique.

Ne jamais enlever le filtre plat plissé lors de l'aspiration.

## **Système anti-statique**

Les tubulures de raccordement mises à la terre permettent d'évacuer les charges statiques. Ainsi, la formation d'étincelles et les surtensions sur les accessoires conductibles électriquement (en option) sont évitées.

## **Aspiration de poussières**

- Pour l'aspiration de poussière fine, il est possible d'utiliser, en plus, un filtre en non tissé ou un sac pour le recyclage (accessoires spéciaux).

## **Montage d'un sac de filtre en feutre**

1. Déverrouiller et retirer la tête d'aspiration.
2. Insérer le sac de filtre en feutre.

### **Illustration C**

3. Monter et verrouiller la tête d'aspiration.

## **Montage du sac de recyclage**

1. Déverrouiller et retirer la tête d'aspiration.
2. Installer le sac pour le recyclage (accessoires spéciaux).

### **Illustration D**

3. Passer le sac de recyclage (accessoire spécial) sur le réservoir. Veiller à ce que le marquage se trouve dans le réservoir et à ce que les deux touches de purge soient placées sur la paroi arrière du réservoir.
4. Monter et verrouiller la tête d'aspiration.

## **Aspiration de l'eau**

### **Montage des lèvres en caoutchouc**

1. Démonter les brosses.

### **Illustration E**

2. Monter les lèvres en caoutchouc.

## **Dépose du sac du filtre en feutre**

- Retirer toujours le sac du filtre en feutre pour aspirer des salissures mouillées.

1. Déverrouiller et retirer la tête d'aspiration.
2. Sortir le filtre en non tissé par le haut sur la bride.

### **Illustration F**

3. Fermer hermétiquement le filtre en non tissé avec le capuchon de fermeture.
4. Monter et verrouiller la tête d'aspiration.

## **Retrait du sac pour le recyclage**

- Retirer toujours le sac de recyclage (accessoire spécial) pour aspirer des salissures mouillées.

1. Déverrouiller et retirer la tête d'aspiration.
2. Lever le sac de recyclage (accessoire spécial).

### **Illustration G**

3. Fermer hermétiquement le sac pour le recyclage (accessoires spéciaux) avec un serre-câble sous l'ouverture.
4. Sortir le sac de recyclage (accessoire spécial).
5. Monter et verrouiller la tête d'aspiration.

## **Vidange de l'eau sale**

Uniquement NT 50/1 :

1. Vider l'eau sale par le flexible de vidange.

### **Illustration H**

## **Généralités**

- Lors de l'aspiration de salissures mouillées avec le suceur à fentes ou la brosse à meubles (option), ou lorsque de l'eau est principalement aspirée hors d'un réservoir, il est conseillé de désactiver la fonction « Nettoyage automatique du filtre ».
- L'appareil se désactive automatiquement lorsque le niveau du liquide max. est atteint.

- Dans le cas de liquides non conducteurs (p. ex. émulsion de bore, huile et graisses), l'appareil n'est pas désactivé lorsque le réservoir est plein. Le niveau de remplissage doit être contrôlé en continu et le réservoir vidé à temps.
- Lorsque l'aspiration de l'eau est terminée : nettoyer le filtre plissé plat avec le nettoyage du filtre. nettoyer les électrodes avec une brosse. Nettoyer le réservoir avec un chiffon humide et sécher.

### Jonction clipsée

Le tuyau d'aspiration est équipé d'un système de clip. Toutes les pièces d'accessoires d'un diamètre nominal de 1.38 pouce (35 mm) peuvent être raccordées.

#### Illustration I

### Commande

#### Commutateur rotatif

<b>0 OFF</b>	Appareil à l'arrêt
<b>1 ON</b>	Appareil en marche Nettoyage du filtre automatique : ARRET
<b>2 TACT MAX</b>	Appareil en marche Nettoyage du filtre automatique : intervalle maximal
<b>3 TACT MIN</b>	Appareil en marche Nettoyage du filtre automatique : intervalle minimal

#### Démarrer l'appareil

1. Brancher la fiche secteur.
2. Placer le bouton rotatif sur le programme souhaité.

### Réglage de la puissance d'aspiration

#### Uniquement pour les appareils avec prise intégrée :

1. Régler de la puissance d'aspiration (min-max) sur le bouton rotatif.

### Travaux avec des outils électriques

#### Uniquement pour les appareils avec prise intégrée :

## DANGER

#### Risque d'électrocution

Risque de blessures et d'endommagement.

La prise de courant est prévue pour raccorder des outils électriques directement à l'aspirateur. Toute autre utilisation de la prise électrique n'est pas autorisée.

1. Brancher la fiche secteur de l'outil électrique sur l'aspirateur. L'aspirateur est en mode Stand-by.
2. Mettre l'appareil sous tension avec le bouton rotatif.

## Remarque

L'aspirateur est mis automatiquement sous et hors tension avec l'outil électrique.

## Remarque

L'aspirateur a une temporisation de démarrage de 0,5 s et un temps d'inertie de 15 s.

## Remarque

La valeur de raccordement des outils électriques est indiquée dans les caractéristiques techniques.

3. Retirer le coude sur le tuyau d'aspiration.

#### Illustration J

4. Monter l'adaptateur d'outil sur le tuyau d'aspiration.

5. Raccorder l'adaptateur d'outil à l'outil électrique.

#### **Illustration K**

#### **Nettoyage automatique du filtre**

L'appareil dispose d'un nettoyage du filtre spécial, particulièrement efficace pour la poussière fine. Le filtre plat plissé est nettoyé automatiquement toutes les 15 secondes (TACT MAX) ou toutes les 60 secondes (TACT MIN) par un flux d'air (bruit de pulsation).

1. Placer le bouton rotatif sur le programme souhaité (TACT MIN-TACT MAX).
2. Nettoyage puissant (en cas de fort encrassement du filtre plat plissé) : Placer le bouton rotatif sur le programme 2, fermer le tube d'aspiration et/ou le coude à la main et attendre le nettoyage du filtre automatique (toutes les 15 secondes).

#### **Illustration L**

#### **Mise hors tension de l'appareil**

1. Mettre l'appareil hors tension avec le bouton rotatif.
2. Débrancher la fiche secteur.

#### **Après chaque fonctionnement**

1. Vider le réservoir.
2. Aspirer l'appareil, à l'intérieur et à l'extérieur, et le nettoyer à l'aide d'un chiffon humide.

#### **Rentrée/rabattement du guidon**

Uniquement NT 50/1 :

1. Desserrer le verrouillage du guidon et régler le guidon.

#### **Rangement de l'appareil**

1. Ranger le tuyau d'aspiration et le câble secteur conformément à la figure.

#### **Illustration M**

2. Placer l'appareil dans un endroit sec et le sécuriser contre une utilisation intempestive.

## **Transport**

### **⚠ PRECAUTION**

#### **Non-observation du poids**

Risque de blessure et d'endommagement

Observer le poids de l'appareil pour le transport.

1. Retirer le tube d'aspiration avec la buse pour sol du support. Pour porter l'appareil, le saisir par la poignée de transport et le tube d'aspiration, pas par le guidon.
2. En cas de transport de l'appareil dans des véhicules, le bloquer contre le glissement et le basculement suivant les normes en vigueur.

## **Stockage**

### **⚠ PRECAUTION**

#### **Non-observation du poids**

Risque de blessure et d'endommagement

Tenir compte du poids de l'appareil pour le stockage.

L'appareil ne peut être exploité qu'en espace intérieur.

## **Entretien et maintenance**

### **⚠ DANGER**

#### **Risque d'électrocution**

Blessures dues au contact avec des pièces sous tension

Mettre l'appareil hors tension.

Débrancher la fiche secteur.

#### **Remplacer le filtre plat plissé**

1. Ouvrir le cache de filtre.
2. Sortir le châssis du filtre.

#### **Illustration N**

3. Retirer le filtre plat plissé.
4. Mettre un filtre plat plissé neuf en place. Veiller, lors de l'insertion, à ce que le filtre plat plissé soit posé à fleur de tous les côtés.
5. Insérer le châssis du filtre.

6. Fermer le cache de filtre, il doit s'enclencher de manière audible.

### Remplacement du sac du filtre en feutre

1. Déverrouiller et retirer la tête d'aspiration.
2. Sortir le filtre en non tissé par le haut sur la bride.

#### Illustration F

3. Fermer hermétiquement le filtre en non tissé avec le capuchon de fermeture.
4. Insérer le sac du filtre en feutre.
5. Monter et verrouiller la tête d'aspiration.

### Remplacement du sachet de recyclage

1. Déverrouiller et retirer la tête d'aspiration.
2. Lever le sachet de recyclage (accessoire spécial).

#### Illustration G

3. Fermer hermétiquement le sachet pour le recyclage (accessoires spéciaux) avec un serre-câble sous l'ouverture.
4. Sortir le sachet de recyclage (accessoire spécial).
5. Installer un nouveau sachet pour le recyclage (accessoires spéciaux).
6. Passer le sachet de recyclage (accessoire spécial) sur le réservoir. Veiller à ce que le marquage se trouve dans le réservoir et à ce que les deux touches de purge soient placées sur la paroi arrière du réservoir.
7. Monter et verrouiller la tête d'aspiration.

### Nettoyage des électrodes

1. Déverrouiller et retirer la tête d'aspiration.
2. Nettoyer les électrodes avec une brosse.

3. Monter et verrouiller la tête d'aspiration.

### Dépannage en cas de défaut

## DANGER

### Risque d'électrocution

Blessures dues au contact avec des pièces sous tension

Mettre l'appareil hors tension.

Débrancher la fiche secteur.

### La turbine d'aspiration ne fonctionne pas

1. Contrôler la prise de courant et le fusible de l'alimentation électrique.
2. Contrôler le câble secteur, la fiche secteur, les électrodes et, si nécessaire, la prise de courant de l'appareil.

3. Mettre l'appareil sous tension.

### La turbine d'aspiration se coupe

1. Vider le réservoir.

### La turbine d'aspiration ne redémarre pas après la vidange du réservoir

1. Eteindre l'appareil et attendre 5 secondes. Remettre l'appareil sous tension.
2. Nettoyer les électrodes avec une brosse.

### La puissance d'aspiration diminue

1. Enlever les obstructions de la buse d'aspiration, du tube d'aspiration, du tuyau d'aspiration ou du filtre plat plissé.
2. Remplacer le sac du filtre en feutre plein.
3. Remplacer le sachet de recyclage plein (accessoire spécial).
4. Enclencher correctement le cache de filtre.
5. Remplacer le filtre plat plissé.
6. Uniquement NT 50/1 : vérifier l'étanchéité du flexible de vidange.



## Sortie de poussière lors de l'aspiration

1. Corriger la position de montage correcte du filtre plat plissé.

### Illustration O

2. Remplacer le filtre plat plissé.

## Le dispositif de coupure automatique (aspiration de l'eau) ne répond pas

1. Nettoyer les électrodes avec une brosse.
2. Contrôler en continu le niveau de remplissage dans le cas de liquides non conducteurs d'électricité.

## Le nettoyage automatique du filtre ne fonctionne pas

1. Le tuyau d'aspiration n'est pas raccordé.

## Il est impossible de couper le nettoyage du filtre automatique

1. Contacter le service après-vente.

## Il est impossible d'activer le nettoyage du filtre automatique

1. Contacter le service après-vente.

## Service après-vente

Si le défaut ne peut pas être éliminé, l'appareil doit être contrôlé par le service après-vente.

## Garantie

Les conditions de garantie publiées par notre société commerciale compétente s'appliquent dans chaque pays. Nous remédions gratuitement aux défauts possibles sur votre appareil dans la durée de garantie dans la mesure où la cause du défaut est un vice de matériau ou de fabrication. En cas de garantie, veuillez vous adresser à votre distributeur ou au point de service après-vente autorisé le plus proche avec la facture d'achat. (Voir l'adresse au dos)

## Accessoires et pièces de rechange

Utiliser exclusivement des accessoires et pièces de rechange originaux. Ceux-ci garantissent le fonctionnement sûr et sans défaut de votre appareil.

Des informations sur les accessoires et pièces de rechange sont disponibles sur le site Internet [www.kaercher.com](http://www.kaercher.com).

## Caractéristiques techniques

		NT30/1	NT30/1	NT40/1	NT40/1	NT50/1	NT50/1
		Tact	Tact Te	Tact	Tact Te	Tact	Tact Te
<b>Raccordement électrique</b>							
Tension du secteur	V	120	120	120	120	120	120
Phase	~	1	1	1	1	1	1
Fréquence du secteur	Hz	60	60	60	60	60	60
Type de protection		IPX4	IPX4	IPX4	IPX4	IPX4	IPX4
Classe de protection		I	I	I	I	I	I
Intensité nominale	A	9	15	9	15	9	15
Valeur de raccordement en puissance prise de l'appareil	A		6		6		6

		NT 30/1	NT 30/1	NT 40/1	NT 40/1	NT 50/1	NT 50/1
		Tact	Tact Te	Tact	Tact Te	Tact	Tact Te
<b>Caractéristiques de puissance de l'appareil</b>							
Contenu du réservoir	gal (l)	8.2 (31)	8.2 (31)	10.3 (39)	10.3 (39)	13.5 (51)	13.5 (51)
Volume de remplissage Liquide	gal (l)	4.5 (17)	4.5 (17)	6.3 (24)	6.3 (24)	9.2 (35)	9.2 (35)
Débit d'air (max.)	CFM (l/s)	150 (71)	150 (71)	150 (71)	150 (71)	150 (71)	150 (71)
Dépression (max.)	mm (kPa)	2468 (24.2)	2468 (24.2)	2468 (24.2)	2468 (24.2)	2468 (24.2)	2468 (24.2)
<b>Dimensions et poids</b>							
Poids opérationnel ty- pique	lbs (kg)	29.8 (13.5)	29.8 (13.5)	31.7 (14.4)	31.7 (14.4)	40.3 (18.3)	40.3 (18.3)
Longueur x largeur x hauteur	in (mm)	22.0 x 14.6 x 22.8 (560 x 370 x 580)	22.0 x 14.6 x 22.8 (560 x 370 x 580)	22.0 x 14.6 x 25.8 (560 x 370 x 655)	22.0 x 14.6 x 25.8 (560 x 370 x 655)	25.2 x 14.6 x 41.1 (640 x 370 x 1045)	25.2 x 14.6 x 41.1 (640 x 370 x 1045)
Surface de filtration filtre plat plissé	sq ft (m <sup>2</sup> )	6.5 (0.6)	6.5 (0.6)	6.5 (0.6)	6.5 (0.6)	6.5 (0.6)	6.5 (0.6)
Diamètre du tuyau d'as- piration	in (mm)	1.38 (35)	1.38 (35)	1.38 (35)	1.38 (35)	1.38 (35)	1.38 (35)
Longueur du tuyau d'as- piration	ft (m)	8.2 (2.5)	13.1 (4.0)	8.2 (2.5)	13.1 (4.0)	8.2 (2.5)	13.1 (4.0)
<b>Valeurs déterminées selon EN 60335-2-69</b>							
Niveau de pression acoustique L <sub>pA</sub>	dB(A)	68	68	68	68	68	68
Incertitude K <sub>pA</sub>	dB(A)	1	1	1	1	1	1
<b>Câble d'alimentation</b>							
Type de câble secteur		SJOW 3/16 AWG	SJOW 3/14 AWG	SJOW 3/16 AWG	SJOW 3/14 AWG	SJOW 3/16 AWG	SJOW 3/14 AWG
Référence de pièce (CUL)		6.650- 829.0	6.650- 530.0	6.650- 829.0	6.650- 530.0	6.650- 829.0	6.650- 530.0
Longueur de câble	ft (m)	25 (7.5)	25 (7.5)	25 (7.5)	25 (7.5)	25 (7.5)	25 (7.5)

Sous réserve de modifications techniques.

## Índice de contenidos

INSTRUCCIONES IMPORTANTES DE SEGURIDAD .....	27
Avisos generales.....	30
Protección del medioambiente.....	30
Niveles de peligro .....	30
Uso previsto .....	31
Descripción del equipo.....	31
Preparación.....	31
Puesta en funcionamiento .....	31
Manejo .....	33
Transporte.....	34
Almacenamiento .....	34
Conservación y mantenimiento.....	34
Ayuda en caso de fallos.....	35
Garantía .....	36
Accesorios y recambios .....	36
Datos técnicos .....	36

## INSTRUCCIONES IMPORTANTES DE SEGURIDAD

### ANTES DE LA PRIMERA PUESTA EN MARCHA DEL APARATO DEBERÁN OBSERVARSE LOS SIGUIENTES PUNTOS

- Informe de inmediato a su distribuidor si hay daños de transporte.
- Extraiga el accesorio al completo del embalaje.
- La máquina no es apta para aspirar polvos peligrosos como el amianto. Póngase en contacto con su sucursal o distribuidor de KÄRCHER para realizar consultas sobre este tipo de usos.
- Utilizar la aspiradora solamente con una toma de tierra puesta a tierra. Consultar los datos técnicos para el fusible principal necesario.
- CONECTAR LA ASPIRADORA ÚNICAMENTE EN UNA TOMA DE TIERRA PUESTA A TIERRA DEBIDAMENTE. Veáanse las normas de puesta a tierra.

### CONSERVE ESTAS INSTRUCCIONES

Esta aspiradora está diseñada para el uso industrial.

### INSTRUCCIONES DE SEGURIDAD

En caso de utilizar herramientas eléctricas acopladas al aparato, deberán observarse estrictamente todas las normas de seguridad básicas, a fin de prevenir cualquier riesgo de incendio, descargas eléctricas o daños o lesiones del personal encargado de manipular los mismos:

- 1 Antes de retirar la cubierta, realizar los trabajos de mantenimiento y durante la inactividad, DESCONECTOR LA ASPIRADORA DEL CIRCUITO PRINCIPAL.
- 2 NO DEJAR la máquina sin supervisión si el conector está conectado.
- 3 COMPROBAR siempre si hay daños o síntomas de envejecimiento en EL CABLE DE CONEXIÓN DE RED antes de cada utilización.
- 4 NO TIRAR O SOSTENER LA ASPIRADORA EN EL CABLE DE RED. No aprisionar el cable con una puer-ta o extender alrededor de bordes afilados.
- 5 MANTENER EL CABLE DE CONEXIÓN DE RED ALEJADO DEL CALOR Y EL ACEITE. No dejar tirado el cable de conexión de red tras finalizar el trabajo. Puede representar un peligro.
- 6 NO DEJAR QUE LA ASPIRADORA SE ENROLLE ALREDEDOR DEL CABLE DE CONEXIÓN DE RED.
- 7 Antes de extraer el conector de red, DESCONECTAR EL CONECTOR.
- 8 NO TIRAR DEL CONECTOR DE RED TIRANDO DE LA TOMA DE TIERRA DEL CABLE DE CONEXIÓN DE RED. Para desconectar la red eléctrica, tirar del conector de red, no del cable de conexión de red.

- 9 NO TORCAR EL CONECTOR DE RED CON MANOS MOJADAS.
- 10 Solo un representante del servicio técnico autorizado puede sustituir UN CABLE DE CONEXIÓN DE RED DAÑADO O UN CONECTOR DE RED DAÑADO. NO INTENTAR REPARAR UN CABLE DE CONEXIÓN DE RED.
- 11 PARA EVITAR UN CHOQUE ELÉCTRICO, no exponer el equipo a la lluvia. Almacenar en interiores.
- 12 UTILIZAR SOLO CONFORME A LAS RECOMENDACIONES DE ESTE MANUAL. Utilizar solamente con los accesorios recomendados.
- 13 Mantener alejado PELO, ROPA, SUCIEDAD SUELTA, DEDOS y todas partes del cuerpo de las aberturas y piezas móviles.
- 14 NO TAPAR O CERRAR LAS ABERTURAS. Mantener las aberturas libres de pelusas, pelos y polvo, así como todas las que obstaculiza el flujo de aire.
- 15 NO ASPIRAR NADA QUE ARDA, que se carbonice o genere humo, como cerillas, cigarrillos o llamas calientes.
- 16 NO ASPIRE MATERIALES COMBUSTIBLES O EXPLOSIVOS, tal como carbón de piedra, cereales (o su polvo) u otra sustancia fina y combustible.
- 17 NO ASPIRE MATERIALES COMBUSTIBLES, peligrosos, tóxicos o carcinógenos por ejemplo: gasolina, gasoil (petróleo para diesel), acetona, diluyente para pintura, aceite combustible, ácidos y disolventes no diluidos, pesticidas y amianto (asbesto).
- 18 UTILIZAR EL FILTRO RECOMENDADO para aspirar material de yeso.
- 19 NO UTILIZAR SIN UN FILTRO correctamente colocado o una bolsa de polvo.
- 20 CONECTAR LA ASPIRADORA ÚNICAMENTE EN UNA TOMA DE TIERRA PUESTA A TIERRA DEBIDAMENTE. Veáanse las normas de puesta a tierra.
- 21 NO DEJAR UTILIZAR LA ASPIRADORA COMO UN JUGUETE. Mantener alejados a los niños de la aspiradora.
- 22 NO DEJAR SIN SUPERVISIÓN la aspiradora en funcionamiento.
- 23 NO UTILIZAR SI EL CABLE DE CONEXIÓN DE RED, EL CONECTOR DE RED, EL FILTRO O LA ASPIRADORA ESTÁN EN MAL ESTADO. El servicio de postventa autorizado debe comprobar una aspiradora que se haya caído, se haya dañado, se haya expuesto a determinadas condiciones climáticas o se haya caído al agua.
- 24 LLEVAR SIEMPRE GAFAS DE PROTECCIÓN al usar la aspiradora.
- 25 TENER ESPECIAL CUIDADO con las escaleras durante el uso.
- 26 ESTAR ATENTO. No utilizar la aspiradora cansado o bajo la influencia de drogas, alcohol o medicamentos.

### **INSTRUCCIONES DE PUESTA A TIERRA**

- Este equipo debe ponerse a tierra. Si se produce una avería o una caída, la puesta a tierra ofrece un camino de menor resistencia para la corriente eléctrica, para disminuir el peligro de choques eléctricos.
- Este equipo está equipado con un cable de conexión de red con conductor de tierra y un conector Schuko.

- El conector debe estar conectado a una toma de tierra adecuada que esté instalada y puesta a tierra correctamente conforme a todas las normativas locales.

### ADVERTENCIA:

- Una conexión indebida del conductor de tierra del equipo puede provocar peligro de choques eléctricos.
- Ponerse en contacto con un electricista o un representante del servicio de postventa si hay dudas sobre cómo poner a tierra correctamente la toma de corriente.
- No modifique el enchufe suministrado del aparato.
- Si el conector no coincide con la toma de corriente, el electricista debe instalar una toma de corriente adecuada.
- El aparato se usa con un circuito de 120 voltios y tiene un enchufe con toma a tierra que tiene el mismo aspecto que la ilustración A.
- Se puede usar un adaptador temporal como el de la ilustración B para conectar este enchufe a un receptáculo bipolar como se indica en la ilustración B si no hay un enchufe con toma a tierra correcto.
- El adaptador temporal sólo se debe usar hasta que el electricista cualificado haya instalado el enchufe con toma a tierra (fig. A).
- La orejeta verde rígida o similares que se extiende desde el adaptador se debe conectar a una toma permanente a tierra como una cubierta de caja con toma a tierra correcta.
- Siempre que se use el adaptador se debe mantener sujeto con un tornillo metálico.
- **NO INTENTAR REPARAR UN CABLE DE CONEXIÓN DE RED.**

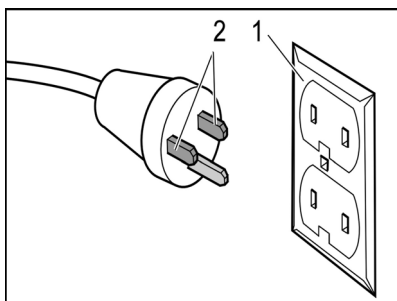
**EN CUALQUIER CASO SE DEBE GARANTIZAR QUE LA TOMA DE CORRIENTE CORRESPONDIENTE ESTÁ PUESTA A TIERRA CORRECTAMENTE.**

**NO RETIRAR EN NINGÚN CASO LA CLAVIJA DE TIERRA DEL CONECTOR DE RED.**

### CABLE DE PROLONGACIÓN

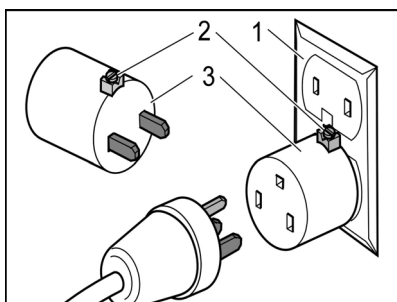
Utilizar únicamente un cable de prolongación de tres conductores y una toma de tierra de tres polos en la cual se pueda conectar el conector del equipo. Sustituir de inmediato un cable dañado o desgastado.

**Figura A**



- 1 Caja de toma de corriente con puesta a tierra
- 2 Horquillas conductoras de corriente  
La horquilla de toma a tierra es la más larga de las 3.

**Figura B**



- 1 Caja de toma de corriente con puesta a tierra

2 Medios de toma a tierra

3 Adaptador

## Nota

En Canadá, no está permitido usar un adaptador temporal según el Canadian Electrical Code (Código Canadiense de Electricidad).

### Mantenimiento de equipos con doble aislamiento

Los equipos con doble aislamiento están equipados con dos sistemas de aislamiento en lugar de la toma de tierra. En un equipo con doble aislamiento no hay ningún de protección de la puesta a tierra disponible y no se debe añadir ninguno al equipo. El mantenimiento de un dispositivo con doble aislamiento requiere especial cuidado y conocimiento del sistema, y solo puede realizarlo personal de mantenimiento cualificado. Los recambios para un equipo con doble aislamiento deben ser idénticos a las piezas que utiliza.

### Avisos generales



Antes de utilizar por primera vez el equipo, lea este manual de instrucciones y sígalo. Conserve el documento para su uso posterior o para futuros propietarios.

- En caso de no respetar el manual de instrucciones o las instrucciones de seguridad, se pueden causar daños al equipo y crear peligros para el operario y otras personas.
- Informe inmediatamente a su distribuidor si se han producido daños durante el transporte.
- Compruebe si faltan accesorios en el contenido del paquete o si existen daños.

### Protección del medioambiente



Los materiales del embalaje son reciclables. Elimine los embalajes de forma respetuosa con el medioambiente.



Los equipos eléctricos y electrónicos contienen materiales reciclables y, a menudo, componentes, como baterías, acumuladores o aceite, que suponen un riesgo potencial para la salud de las personas o el medioambiente en caso de manipularse o eliminarse de forma inadecuada. Sin embargo, dichos componentes son necesarios para un servicio adecuado del equipo. Los equipos identificados con este símbolo no pueden eliminarse con la basura doméstica.

### Avisos sobre sustancias contenidas (REACH)

Encontrará información actual sobre las sustancias contenidas en:

[www.kaercher.com/REACH](http://www.kaercher.com/REACH)

### Niveles de peligro

#### ⚠ PELIGRO

- Aviso de un peligro inminente que produce lesiones corporales graves o la muerte.

#### ⚠ ADVERTENCIA

- Aviso de una posible situación peligrosa que puede producir lesiones corporales graves o la muerte.

#### ⚠ PRECAUCIÓN

- Aviso de una posible situación peligrosa que puede producir lesiones corporales leves.

#### ⚠ CUIDADO

- Aviso de una posible situación peligrosa que puede producir daños materiales.

## Uso previsto

# ⚠ ADVERTENCIA

## Riesgos para la salud

Aspiración de polvos perjudiciales para la salud

No usar el equipo para la aspiración de polvos perjudiciales para la salud.

- Este aspirador en húmedo/seco está diseñado para eliminar la suciedad seca y los líquidos.
- Este equipo es apto para el uso industrial, p. ej. en hoteles, escuelas, hospitales, fábricas, tiendas, oficinas y negocios de alquiler.

## Descripción del equipo

### Figura A

- ① Electrodo
- ② Tubuladura de aspiración
- ③ Manguera de aspiración
- ④ Gancho para manguera
- ⑤ Cierre del asa de empuje (solo NT 50/1)
- ⑥ Boquilla para ranuras
- ⑦ Salida del aire de trabajo
- ⑧ Cabezal de aspiración
- ⑨ Cierre del cabezal de aspiración
- ⑩ Retráctil
- ⑪ Recipiente de suciedad
- ⑫ Rodillo de dirección
- ⑬ Asa
- ⑭ Entrada de aire de refrigeración del motor
- ⑮ Boquilla para suelos
- ⑯ Tubo de aspiración
- ⑰ Tope para maletín de herramientas
- ⑱ Manguito de goma, atornillable
- ⑲ Orejeta de fijación
- ⑳ Tapa del filtro
- ㉑ Asa de transporte
- ㉒ Control de aspiración (gradual)
- ㉓ Adaptador de herramientas (solo Tact Te)
- ㉔ Asa de empuje (solo NT 50/1)
- ㉕ Regulador giratorio para potencia de aspiración (mín-máx) (solo Tact Te)

- ㉖ Selector giratorio
- ㉗ Enchufe (solo Tact Te)
- ㉘ Soporte de la boquilla para suelos
- ㉙ Manguera de desagüe (solo NT 50/1)
- ㉚ Soporte para el tubo de aspiración
- ㉛ Portacables (solo NT 50/1)
- ㉜ Codo
- ㉝ Cable de red
- ㉞ Soporte para codo (solo NT 30/1, NT 40/1)
- ㉟ Bastidor del filtro
- ㊱ Filtro plegado plano (PES)
- ㊲ Limpieza del filtro
- ㊳ Placa de características

## Preparación

1. Desembale el equipo y monte los accesorios.

### Figura B

## Puesta en funcionamiento

# CUIDADO

## Peligro por la entrada de polvo fino

Peligro de daños en el motor de aspiración.

No elimine nunca el filtro plegado plano durante la aspiración.

## Sistema antiestático

Gracias al empalme de conexión puesto a tierra se desvían las cargas estáticas. De esta forma se evita la formación de chispas y los choques eléctricos con los accesorios conductores (opcionales).

## Aspiración en seco

- Durante la aspiración del polvo fino, puede utilizarse de forma adicional una bolsa filtrante de fieltro o una bolsa para eliminación de residuos (accesorios especiales).

### Montaje de la bolsa filtrante de fieltro

1. Desbloquee y retire el cabezal de aspiración.
2. Coloque la bolsa filtrante de fieltro.

#### Figura C

3. Coloque y bloquee el cabezal de aspiración.

### Montaje de la bolsa para eliminación de residuos

1. Desbloquear y retirar el cabezal de aspiración.
2. Colocar la bolsa para eliminación de residuos (accesorio especial).

#### Figura D

3. Cubrir el recipiente con la bolsa para eliminación de residuos (accesorios especiales). Asegurarse de que la línea de marcado se encuentra dentro del recipiente y que ambos orificios de ventilación se sitúan en la pared trasera del recipiente.
4. Colocar y bloquear el cabezal de aspiración.

### Aspiración de suciedad líquida

#### Montaje de los labios de goma

1. Desmonte las tiras del cepillo.
2. Monte los labios de goma.

#### Figura E

### Retirada de la bolsa filtrante de fieltro

- Para la aspiración de suciedad líquida siempre debe retirar la bolsa filtrante de fieltro.
1. Desbloquear y retirar el cabezal de aspiración.
  2. Extraer hacia arriba la bolsa filtrante de fieltro en la brida.

#### Figura F

3. Cerrar herméticamente la bolsa filtrante de fieltro con una tapa de cierre.
4. Colocar y cerrar el cabezal de aspiración.

### Retirada de la bolsa para eliminación de residuos

- Para la aspiración de suciedad líquida siempre debe retirar la bolsa para eliminación de residuos (accesorios especiales).

1. Desbloquear y retirar el cabezal de aspiración.
2. Tirar hacia arriba de la bolsa para eliminación de residuos (accesorios especiales).

#### Figura G

3. Cerrar herméticamente la bolsa para eliminación de residuos (accesorios especiales) con la abrazadera de cables por debajo de la abertura.
4. Extraer la bolsa para eliminación de residuos (accesorios especiales).
5. Colocar y cerrar el cabezal de aspiración.

### Purga de agua sucia

Solo NT 50/1:

1. Vacíe el agua sucia mediante la manguera de desagüe.

#### Figura H

### Generalidades

- Al aspirar suciedad líquida con la boquilla para ranuras o con la boquilla para acolchado (opción) si va a aspirar sobre todo agua de un recipiente, es recomendable que desconecte la función «Limpieza del filtro automática».
- Al alcanzar el nivel de llenado de líquido máx. se desconecta el equipo automáticamente.
- En caso de líquidos no conductores (p. ej. aceites, grasas y taldrinas) el equipo no se desconecta cuando se llena el recipiente. Debe revisar el nivel de llenado de forma continua y vaciar el recipiente a tiempo.



- Al finalizar la aspiración de suciedad líquida: Limpie el filtro de plegado plano con la limpieza del filtro. Limpie los electrodos con un cepillo. Limpie y seque el recipiente con un paño húmedo.

### Conexión de clip

La manguera de aspiración está equipada con un sistema de clips. Se pueden conectar todos los accesorios con un ancho nominal de 1.38 in (35 mm).

Figura I

Manejo	
Selector giratorio	
<b>0 OFF</b>	Equipo OFF
<b>1 ON</b>	Equipo ON Limpieza automática de filtros: OFF
<b>2 TACT MAX</b>	Equipo ON Limpieza automática de filtros: intervalo máximo
<b>3 TACT MIN</b>	Equipo ON Limpieza automática de filtros: intervalo mínimo

### Conexión del equipo

1. Enchufe el conector de red.
2. Ajuste el selector giratorio al programa deseado.

### Ajuste de la potencia de aspiración

Solo en equipos con enchufe incorporado:

1. Ajustar la potencia de aspiración (mín.-máx.) en el regulador giratorio.

### Trabajos con herramienta eléctrica

Solo en equipos con enchufe incorporado:

## ⚠ PELIGRO

Peligro de choques eléctricos

Peligro de lesiones y daños.

El enchufe solo es para la conexión directa de herramientas eléctricas a la aspiradora. Cualquier otro uso del enchufe es inadecuado.

1. Enchufe el conector de red de la herramienta eléctrica en la aspiradora. La aspiradora se encuentra en el modo stand-by.
2. Conecte el equipo mediante el selector giratorio.

## Nota

La aspiradora se conecta y desconecta automáticamente con la herramienta eléctrica.

## Nota

La aspiradora tiene un retraso de arranque de hasta 0,5 segundos y un tiempo de marcha en inercia de hasta 15 segundos.

## Nota

Para el valor de conexión de potencia de las herramientas eléctricas, consulte los datos técnicos.

3. Retire el codo de la manguera de aspiración.

### Figura J

4. Monte el adaptador de herramientas en la manguera de aspiración.
5. Conecte el adaptador de herramientas a la herramienta eléctrica.

### Figura K

## Limpieza automática de filtros

El equipo proporciona una limpieza de filtros especial, muy efectiva con el polvo fino. Para ello, el filtro plegado plano se limpia automáticamente cada 15 segundos (TACT MÁX) o cada 60 segundos (TACT MÍN) mediante una descarga de aire (sonido de impulsos).

1. Ajuste el selector giratorio en el programa deseado (TACT MÍN-TACT MÁX).
2. Limpieza power (cuando el filtro plegado plano esté especialmente sucio): Ajuste el selector giratorio al programa 2, cierre el tubo de aspiración o el codo con la mano y espere a la limpieza automática de filtros (cada 15 segundos).

### Figura L

## Desconexión del equipo

1. Desconecte el equipo mediante el selector giratorio.
2. Desenchufe el conector de red.

## Tras cada servicio

1. Vacíe el recipiente.
2. Limpie el interior y el exterior del equipo mediante aspiración y lavado con un paño húmedo.

## Plegado/desplegado del estribo de empuje

Solo NT 50/1:

1. Suelte el bloqueo del estribo de empuje y ajústelo.

## Almacenaje del equipo

1. Almacene la manguera de aspiración y el cable de red según la figura.

### Figura M

2. Coloque el equipo en un espacio seco y protéjalo contra cualquier uso no autorizado.

## Transporte

### ⚠ PRECAUCIÓN

#### Inobservancia del peso

Peligro de lesiones y daños

Tenga en cuenta el peso del equipo durante el transporte.

1. Retire el tubo de aspiración con la boquilla para suelos del soporte. Coja el equipo por el asa de transporte y el tubo de aspiración para transportarlo, no por el asa de empuje.
2. Al transportar el equipo en vehículos, asegúrelo para evitar que resbale y vuelque conforme a las directrices vigentes.

## Almacenamiento

### ⚠ PRECAUCIÓN

#### Inobservancia del peso

Peligro de lesiones y daños

Tenga en cuenta el peso del equipo para su almacenamiento.

El equipo solo se puede almacenar en interiores.

## Conservación y mantenimiento

### ⚠ PELIGRO

#### Peligro de choques eléctricos

Lesiones al tocar piezas que conducen corriente

Desconecte el equipo.

Desconecte el conector de red.

## Cambie el filtro plegado plano

1. Abra la tapa del filtro.
  2. Extraiga el bastidor del filtro.
- ### Figura N
3. Extraiga el filtro plegado plano.
  4. Coloque un nuevo filtro plegado plano. A la hora del montaje, procure que el filtro plegado plano encaje correctamente en todos los lados.
  5. Coloque el bastidor del filtro.

6. Cierre la tapa del filtro, debe escucharse cómo encaja.

### **Cambio de la bolsa filtrante de fieltro**

1. Desbloquear y retirar el cabezal de aspiración.
2. Extraer hacia arriba la bolsa filtrante de fieltro en la brida.

#### **Figura F**

3. Cerrar herméticamente la bolsa filtrante de fieltro con una tapa de cierre.
4. Coloque la nueva bolsa filtrante de fieltro.
5. Colocar y cerrar el cabezal de aspiración.

### **Cambio de la bolsa para eliminación de residuos**

1. Desbloquear y retirar el cabezal de aspiración.
2. Tirar hacia arriba de la bolsa para eliminación de residuos (accesorios especiales).

#### **Figura G**

3. Cerrar herméticamente la bolsa para eliminación de residuos (accesorios especiales) con la abrazadera de cables por debajo de la abertura.
4. Extraer la bolsa para eliminación de residuos (accesorios especiales).
5. Colocar la nueva bolsa para eliminación de residuos (accesorio especial).
6. Cubrir el recipiente con la bolsa para eliminación de residuos (accesorios especiales). Asegurarse de que la línea de marcado se encuentra dentro del recipiente y que ambos orificios de ventilación se sitúan en la pared trasera del recipiente.
7. Colocar y cerrar el cabezal de aspiración.

### **Limpieza de los electrodos**

1. Desbloquee y retire el cabezal de aspiración.
2. Limpie los electrodos con un cepillo.
3. Coloque y bloquee el cabezal de aspiración.

### **Ayuda en caso de fallos**

## **⚠ PELIGRO**

### **Peligro de choques eléctricos**

Lesiones al tocar piezas que conducen corriente

Desconecte el equipo.

Desconecte el conector de red.

### **La turbina de aspiración no funciona**

1. Compruebe el enchufe y el fusible de la alimentación de corriente.
2. Compruebe el cable de red, el conector de red, los electrodos y, en caso necesario, el enchufe del equipo.
3. Conecte el equipo.

### **La turbina de aspiración se desconecta**

1. Vacíe el recipiente.

### **La turbina de aspiración no vuelve a arrancar tras el vaciado del recipiente**

1. Desconecte el equipo y espere 5 segundos. Vuelva a conectar el equipo.
2. Limpie los electrodos con un cepillo.

### **La potencia de aspiración se reduce**

1. Eliminar el atasco de la boquilla aspiradora, del tubo de aspiración, de la manguera de aspiración o del filtro plegado plano.
2. Cambiar la bolsa filtrante de fieltro llena.
3. Cambiar la bolsa para eliminación de residuos llena (accesorios especiales).
4. Encajar la tapa del filtro correctamente.

5. Cambiar el filtro plegado plano.
6. Solo NT 50/1: Revise la estanqueidad de la manguera de desagüe.

### Salida de polvo durante la aspiración

1. Comprobar/corregir la posición correcta del filtro plegado plano.

#### Figura O

2. Cambie el filtro plegado plano.

### La desconexión automática (aspiración de suciedad líquida) no funciona

1. Limpie los electrodos con un cepillo.
2. Controle el nivel de llenado del líquido no conductor de forma continua.

### La limpieza automática de filtros no funciona

1. Manguera de aspiración no conectada.

### La limpieza del filtro automática no se puede desconectar

1. Póngase en contacto con el servicio de posventa.

### La limpieza del filtro automática no se puede conectar

1. Póngase en contacto con el servicio de posventa.

## Servicio de postventa

Si no se puede solventar el fallo, el Servicio de postventa debe comprobar el equipo.

## Garantía

En cada país se aplican las condiciones de garantía indicadas por nuestra compañía distribuidora autorizada. Subsanaemos cualquier fallo en su equipo de forma gratuita dentro del plazo de garantía siempre que la causa se deba a un fallo de fabricación o material. En caso de garantía, póngase en contacto con su distribuidor o con el servicio de postventa autorizado más próximo presentando la factura de compra.

(Dirección en el reverso)

## Accesorios y recambios

Utilice únicamente accesorios y recambios originales, estos garantizan un servicio seguro y fiable del equipo. Encontrará información sobre los accesorios y recambios en [www.kaercher.com](http://www.kaercher.com).



## Datos técnicos

		NT30/1	NT30/1	NT40/1	NT40/1	NT50/1	NT50/1
		Tact	Tact Te	Tact	Tact Te	Tact	Tact Te
<b>Conexión eléctrica</b>							
Tensión de red	V	120	120	120	120	120	120
Fase	~	1	1	1	1	1	1
Frecuencia de red	Hz	60	60	60	60	60	60
Tipo de protección		IPX4	IPX4	IPX4	IPX4	IPX4	IPX4
Clase de protección		I	I	I	I	I	I
Corriente nominal	A	9	15	9	15	9	15
Valor de conexión de potencia del enchufe del equipo			6		6		6
<b>Datos de potencia del equipo</b>							
Contenido del Contenedor	gal (l)	8.2 (31)	8.2 (31)	10.3 (39)	10.3 (39)	13.5 (51)	13.5 (51)

		NT 30/1	NT 30/1	NT 40/1	NT 40/1	NT 50/1	NT 50/1
		Tact	Tact Te	Tact	Tact Te	Tact	Tact Te
Volumen de llenado de líquido	gal (l)	4.5 (17)	4.5 (17)	6.3 (24)	6.3 (24)	9.2 (35)	9.2 (35)
Volumen de aire (máx.)	CFM (l/s)	150 (71)	150 (71)	150 (71)	150 (71)	150 (71)	150 (71)
Baja presión (máx.)	mm (kPa)	2468 (24.2)	2468 (24.2)	2468 (24.2)	2468 (24.2)	2468 (24.2)	2468 (24.2)
<b>Peso y dimensiones</b>							
Peso de servicio típico	lbs (kg)	29.8 (13.5)	29.8 (13.5)	31.7 (14.4)	31.7 (14.4)	40.3 (18.3)	40.3 (18.3)
Longitud x anchura x altura	in (mm)	22.0 x	22.0 x	22.0 x	22.0 x	25.2 x	25.2 x
		14.6 x	14.6 x	14.6 x	14.6 x	14.6 x	14.6 x
		22.8	22.8	25.8	25.8	41.1	41.1
		(560 x	(560 x	(560 x	(560 x	(640 x	(640 x
		370 x	370 x	370 x	370 x	370 x	370 x
		580)	580)	655)	655)	1045)	1045)
Superficie de filtrado del filtro plegado plano	sq ft (m <sup>2</sup> )	6.5 (0.6)	6.5 (0.6)	6.5 (0.6)	6.5 (0.6)	6.5 (0.6)	6.5 (0.6)
Diámetro de la manguera de aspiración	in (mm)	1.38 (35)	1.38 (35)	1.38 (35)	1.38 (35)	1.38 (35)	1.38 (35)
Longitud de la manguera de aspiración	ft (m)	8.2 (2.5)	13.1 (4.0)	8.2 (2.5)	13.1 (4.0)	8.2 (2.5)	13.1 (4.0)
<b>Valores calculados conforme a EN 60335-2-69</b>							
Nivel de presión acústica	dB(A)	68	68	68	68	68	68
$L_{pA}$							
Inseguridad $K_{pA}$	dB(A)	1	1	1	1	1	1
<b>Cable de red</b>							
N.º del cable de red		SJOW 3/16 AWG	SJOW 3/14 AWG	SJOW 3/16 AWG	SJOW 3/14 AWG	SJOW 3/16 AWG	SJOW 3/14 AWG
Referencia (CUL)		6.650- 829.0	6.650- 530.0	6.650- 829.0	6.650- 530.0	6.650- 829.0	6.650- 530.0
Longitud del cable	ft (m)	25 (7.5)	25 (7.5)	25 (7.5)	25 (7.5)	25 (7.5)	25 (7.5)

Reservado el derecho de realizar modificaciones técnicas.

## Filtersysteme / Filter Systems / Système de filtres

					
	Flachfaltenfilter (PES) * Flat pleated filter (PES) * Filtre plat à plis (PES) *	Flachfaltenfilter (PTFE) * Flat pleated filter (PTFE) * Filtre plat à plis (PTFE) *	Flachfaltenfilter (HEPA PTFE) * Flat pleated filter (HEPA PTFE) * Filtre plat à plis (HEPA PTFE) *	Vliesfiltertüte, 3-lagig * Fleece filter bag, triple layered * Sachet filtre en tissu non tissé à 3 épaisseurs *	Entsorgungsbeutel Disposal bag Sachet d'élimination
Bestellnummer Order No. Numéro de référence NT 30/1	6.904-360.0	6.907-455.0	6.907-629.0	2.889-154.0	2.889-158.0
Bestellnummer Order No. Numéro de référence NT 40/1, NT 50/1	6.904-360.0	6.907-455.0	6.907-629.0	2.889-155.0	2.889-158.0
Menge Quantity Quantité	1	1	1	5	10
Normalstäube Normal dust Poussières normales	x	x	x	x	x
Feinstäube Fine dust Poussières fines	x	x	x	x	x
Abrasive Stäube Abrasive dust Poussières abrasives	x	x	x	x	x

Flüssigkeiten, nasser Schmutz Liquids, wet dirt Liquides, sale- tès humides	x	x	x		
---	---	---	---	--	--

\* Staubklasse M, Rückhaltevermögen  $\geq 99,9$  %

\* Dust class M, Retention  $\geq 99,9$  %

\* Classe de poussière M, Conservation  $\geq 99,9$  %



**THANK YOU!**  
**MERCI! DANKE! ¡GRACIAS!**



Registrieren Sie Ihr Produkt und profitieren Sie von vielen Vorteilen.

Register your product and benefit from many advantages.

Enregistrez votre produit et bénéficiez de nombreux avantages.

Registre su producto y aproveche de muchas ventajas.

**[www.kaercher.com/welcome](http://www.kaercher.com/welcome)**



Bewerten Sie Ihr Produkt und sagen Sie uns Ihre Meinung.

Rate your product and tell us your opinion.

Évaluer votre produit et dites-nous votre opinion.

Reseñe su producto y díganos su opinión.



**[www.kaercher.com/dealersearch](http://www.kaercher.com/dealersearch)**

**Alfred Kärcher SE & Co. KG**

Alfred-Kärcher-Str. 28-40

71364 Winnenden (Germany)





This manual was downloaded from

# wet-dry-vac.com

The most comprehensive source of information about wet/dry shop vacuums on the Internet!

Wet-dry-vac.com allows you to learn about how to purchase a wet/dry vac, compare and review detailed specifications on hundreds of models, and find compatible filters.

You can also view manuals, parts lists and brochures for hundreds of models. Plus, you can find the best prices for vacuums and filters, and purchase online right from the site.

