



Wet/Dry Vacuums
Aspiradora Mojado/Seco

Operator's Manual
Manual Del Usuario

EN

P. 02

ES

P. 13



Wet/Dry Vacuum with Detachable Blower Aspiradora con Soplador Desmontable 8 Gallon

Model No. • Modelo
VBV809 0901

FOR YOUR SAFETY

Read and understand this manual before use. Keep this manual for future reference.

PARA SU SEGURIDAD

Lea y entienda este manual antes de usar. Guarde este manual para futura referencia

Distributed By / Distribuido Por
Cleva North America
601 Regent Park Court
Greenville, SC 29607

ARMOR ALL and the ARMOR ALL logo are registered trademarks of The Armor All/STP Products Company and are used under license by Cleva North America Inc. All Rights Reserved.

Replacement Filters & Accessories available at vacmaster.com/armor-all.

Filtros y accesorios disponibles en vacmaster.com/armor-all.



Intertek
3084514
CONFORMS TO UL
STD. No. 1017
Certified to CSA STD.
C22.2 No.243-10

La marca y el logotipo de Armor All son marcas registradas de Armor All/STP Products Company y son usados bajo licencia por Cleva North America, Inc. Todos los derechos reservados.

TABLE OF CONTENTS

SECTION	Page
Warranty.....	2
Safety Instructions & Warnings.....	2
Double Insulation Instructions.....	3
Extension Cord.....	4
Unpacking & Checking Carton Contents.....	5
General Assembly Instructions.....	6
Dry Vacuum Operation.....	7
Liquid Vacuum Operation.....	8
Blowing Operation.....	9
Maintenance.....	9
Installing & Cleaning Cartridge Filter.....	10
Installing & Cleaning Foam Sleeve Filter.....	11
Troubleshooting.....	11
Exploded View & Parts List.....	12

Thank you for purchasing this Armor All® wet/dry vacuum cleaner. Feel confident that with Armor All® you are obtaining a high quality product engineered for optimal performance. This vacuum is capable of picking up liquids and dry materials.

FOR YOUR SAFETY CAREFULLY READ AND UNDERSTAND ALL INSTRUCTIONS

WARRANTY

We take pride in producing a high quality, durable product. This Armor All® product carries a limited two (2) year warranty against defects in workmanship and materials from date of purchase under normal household use. If product is to be used for commercial, industrial or rental use, a 90 day limited warranty will apply. Warranty does not apply to defects due to direct or indirect abuse, negligence, misuse, accidents, repairs or alterations and lack of maintenance. Please keep your receipt as proof of purchase. This warranty gives you specific legal rights. For product service call Customer Service at (866) 384-8432

SAFETY INSTRUCTIONS & WARNINGS

IMPORTANT SAFETY INSTRUCTIONS

READ AND UNDERSTAND ALL INSTRUCTIONS BEFORE USING THIS VACUUM

Read and understand this owner's manual and all labels on the Wet/Dry Vacuum cleaner before operating. Safety is a combination of common sense, staying alert and knowing how your vacuum works. Use this Wet/Dry Vac only as described in this manual. To reduce the risk of personal injury or damage to your Wet/Dry Vac, use only Armor All® recommended accessories.

Household Type

SAVE THIS MANUAL FOR FUTURE REFERENCE.

When using an electrical appliance, basic precautions should always be followed including the following:

WARNING: TO REDUCE THE RISK OF FIRE, ELECTRIC SHOCK OR INJURY:

- Do not run vac unattended.
- Do not vacuum, or use this Wet/Dry Vac near flammable liquids, gases, or explosive vapors like gasoline or other fuels, lighter fluids, cleaners, oil-based paints, natural gas, hydrogen, or explosive dusts like coal dust, magnesium dust, grain dust, or gun power. Sparks inside the motor can ignite flammable vapors or dust.
- Do not vacuum anything that is burning or smoking, such as cigarettes, matches, or hot ashes.
- Keep cord away from heated surfaces.
- Do not expose to rain. Store indoors.
- Do not unplug by pulling on cord. To unplug, grasp the plug, not the cord.
- Do not use with damaged cord, plug or other parts.
- If appliance is not working as it should, has been dropped, damaged, left outdoors, or dropped into water, return it to a service center.
- Do not pull or carry by cord, use cord as handle, close a door on cord, or pull cord around sharp edges or corners.
- Do not run Wet/Dry Vac over cord.
- Do not handle plug or the Wet/Dry Vac with wet hands.
- To reduce the risk of health hazards from vapors or dusts, do not vacuum toxic materials.
- Do not use or store near hazardous materials.
- Do not use this Wet/Dry Vac with a torn filter or without the filter installed except when vacuuming liquids as described in the operation section of this manual.
- Do not allow to be used as a toy. Close attention is necessary when used by or near children.
- To reduce the risk of injury from accidental starting, unplug power cord before changing or cleaning filter.
- Do not leave Wet/Dry Vac unattended when plugged in. Unplug from outlet when not in use and before servicing.
- Turn off Wet/Dry Vac before unplugging.
- Do not put any object into ventilation openings. Do not vacuum with any ventilation openings blocked; keep free of dust, lint, hair or anything that may reduce air flow.
- Keep hair, loose clothing, fingers, and all parts of body away from openings and moving parts.
- To reduce the risk of falls, use extra care when cleaning on stairs.

When using as blower:

- Direct air discharge only at work area.
- Do not use Wet/Dry Vac as a sprayer.
- Do not direct air at bystanders.
- Keep children away when blowing.
- Use safety goggles.

DOUBLE INSULATION INSTRUCTIONS

This Wet/Dry Vac is double-insulated, eliminating the need for a separate grounding system. Use only identical replacements parts. Read the instructions for Servicing Double-Insulated Wet/Dry Vacs before servicing. Use this Wet/Dry Vac as described in this manual.

Observe the following warnings that appear on the motor housing of your Wet/Dry Vac.




DOUBLE INSULATED - GROUNDING NOT REQUIRED - WHEN SERVICING USE ONLY IDENTICAL REPLACEMENT PARTS.

WARNING: TO REDUCE THE RISK OF ELECTRIC SHOCK-DO NOT EXPOSE TO RAIN. STORE INDOORS.

WARNING: FOR YOUR OWN SAFETY, READ AND UNDERSTAND OPERATOR'S MANUAL. DO NOT RUN UNATTENDED. DO NOT PICK UP HOT ASHES, COALS, TOXIC, FLAMMABLE OR OTHER HAZARDOUS MATERIALS, DO NOT USE AROUND EXPLOSIVE LIQUIDS OR VAPORS.

CAUTION:

- Do not vacuum drywall dust or fireplace soot or ash with standard Wet/Dry filter. This is a very fine dust which will not be captured by the filter and may cause damage to motor. When vacuuming fine dust use a fine dust filter (sold separately).

WARNING: SERVICING OF DOUBLE-INSULATED WET/DRY VACUUM
WITH A DOUBLE-INSULATED WET/DRY VACUUM, TWO SYSTEMS OF INSULATION ARE PROVIDED INSTEAD OF GROUNDING. NO GROUNDING MEANS IS PROVIDED ON A DOUBLE-INSULATED APPLIANCE, NOR SHOULD A MEANS FOR GROUNDING BE ADDED. SERVICING A DOUBLE INSULATED WET/DRY VACUUM REQUIRES EXTREME CARE AND KNOWLEDGE OF THE SYSTEM, AND SHOULD BE DONE ONLY BY QUALIFIED SERVICE PERSONNEL. REPLACEMENT PARTS FOR A DOUBLE-INSULATED WET/DRY VACUUM MUST BE IDENTICAL TO THE PARTS THEY REPLACE. YOUR DOUBLE-INSULATED WET/DRY VAC IS MARKED WITH THE WORDS 'DOUBLE INSULATED' AND THE SYMBOL  (SQUARE WITHIN A SQUARE) MAY ALSO BE MARKED ON THE APPLIANCE.

- To reduce the risk of electric shock-unplug before cleaning or servicing.
- DO NOT use without filters in place.

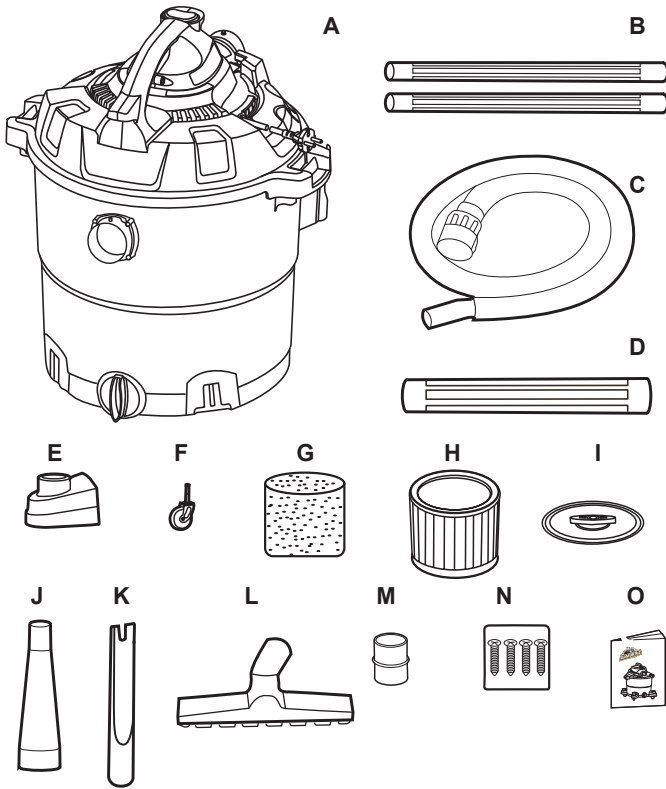
CAUTION: TO REDUCE THE RISK OF INJURY FROM MOVING PARTS- UNPLUG BEFORE SERVICING.

EXTENSION CORD

When using an extension cord with your Wet/Dry Vac refer to the following table to determine the required A.W.G. wire size. Before using the cleaner make sure the power cord and extension cord are in good working conditions. Make repairs or replacements before using the vacuum cleaner. Only use extension cords that are rated for outdoor use.

	Length of Extension Cord			
110V-120V	25 Feet 7.5 Meter	50 Feet 15.25 Meters	100 Feet 30.5 Meters	150 Feet 45.7 Meters
Amps	A.W.G. Wire Size			
0-6	18	16	16	14
7-10	18	16	14	12
11-12	16	16	14	12
13-16	14	12	Not recommended	

UNPACKING & CHECKING CARTON CONTENTS

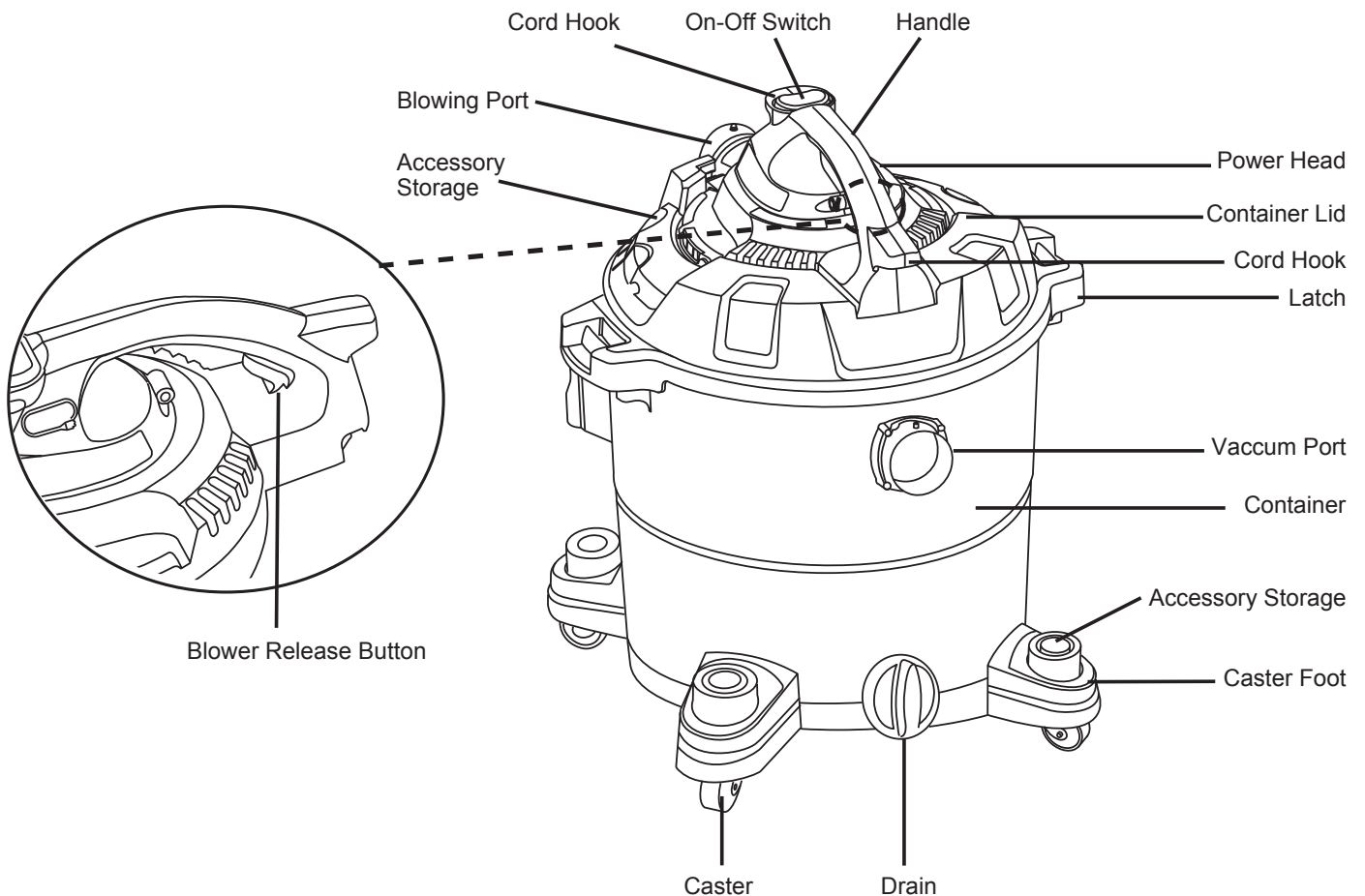


Remove entire contents of carton.
Check each item against the carton contents list.

Carton contents lists

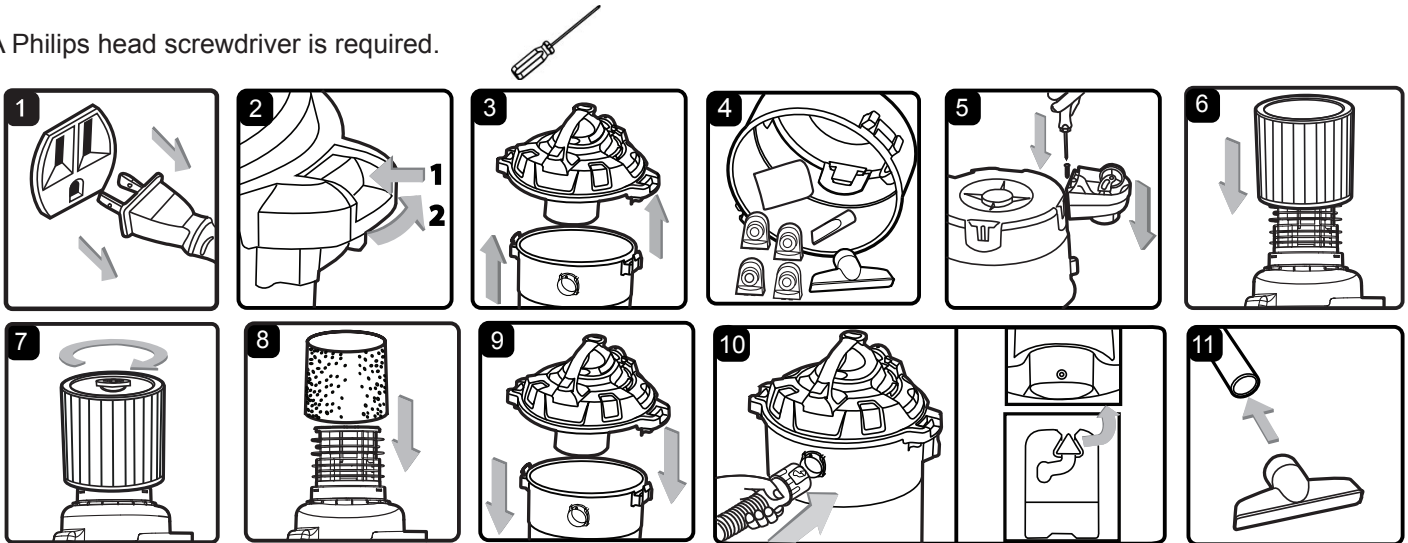
Key	Description	Qty
A	Vac Assembly	1
B	Extension Wands	2
C	Hose	1
D	Blower Wand	1
E	Caster Foot W/Accessory Storage	4
F	Caster	4
G	Foam Sleeve Filter	1
H	Cartridge Filter	1
I	Filter Retainer	1
J	Concentrator Nozzle	1
K	Crevice Tool	1
L	2-in-1 Floor Brush/Squeegee	1
M	Adaptor	1
N	4 Screws (Bag)	4
O	Operator's Manual	1

NOTE: The hose and accessories for this vacuum are 1.25 inch (3.2 cm) diameter. Blower wand and nozzle are 2.5 inch (6.4 cm) diameter.



GENERAL ASSEMBLY INSTRUCTIONS

A Philips head screwdriver is required.




WARNING: DO NOT PLUG IN POWER CORD TO POWER OUTLET, MAKE SURE PLUG IS DISCONNECTED BEFORE ASSEMBLING THE WET/DRY VACUUM.

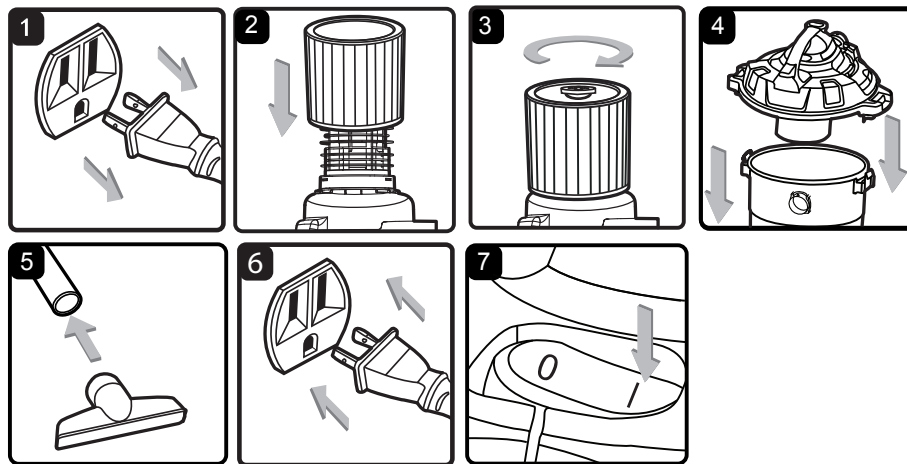
UNPACKING YOUR WET/DRY VACUUM & GENERAL ASSEMBLY

1. Verify that the power cord is disconnected from the outlet. (fig. 1)
2. Undo the latches. (fig. 2)
3. Lift the power head off the container. (fig. 3)
4. Remove the contents from inside the container, make sure you have all contents as listed on page 5. (fig. 4)
5. Turn the container upside down and insert the four caster feet into the slots on the container and tighten with supplied screws. Verify that the casters are mounted correctly. Do not over-tighten screw. (fig. 5)
6. Your vacuum comes ready for dry vacuum cleaning. If cartridge filter is not installed refer to page 10 for filter installation. (fig. 6 & 7)
7. For wet vacuum cleaning, install the supplied foam filter. (fig. 8) See page 11 for filter installation.
8. Place the power head back on the container, aligning the top section with the latches, and snap into place. Keep in mind to position the power head so that the blower port is towards the rear. (fig. 9)
9. Insert the locking end of the hose into the port of the container and lock in to place. (fig. 10)
10. Choose the desired wands or accessories and push onto the hose. (fig. 11)

POLARIZED PLUG

To reduce the risk of electrical shock, this appliance has a polarized plug (one with the blade wider than the other). This plug will fit in a polarized outlet only one way. If the plug does not fit fully in the outlet, reverse the plug. If it still does not fit, contact a qualified electrician to install the proper outlet. Do not change the plug in any way. Double insulation  eliminates the need for the three wire grounded power cord and grounded power supply system.

DRY VACUUM OPERATION



DRY VACUUMING

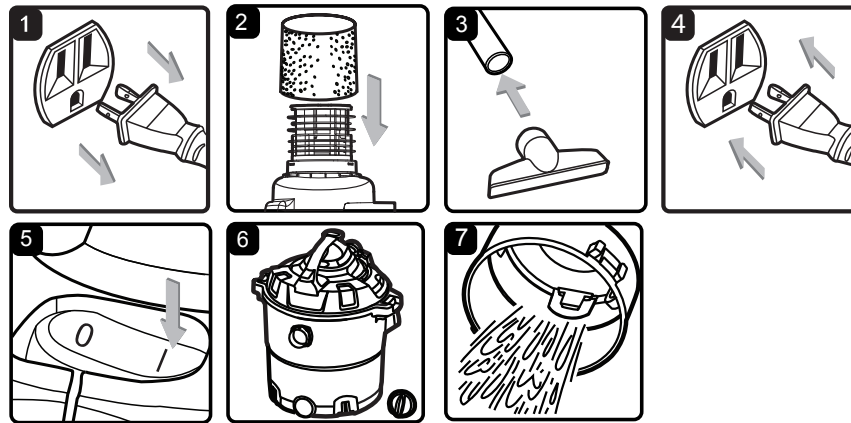
WARNING: BE SURE TO READ, UNDERSTAND, AND APPLY INFORMATION, ENTITLED 'SAFETY INSTRUCTIONS & WARNINGS'. DO NOT VACUUM IN AREAS WITH FLAMMABLE GASES, VAPORS, OR EXPLOSIVE DUSTS IN THE AIR. FLAMMABLE GASES OR VAPORS INCLUDE BUT ARE NOT LIMITED TO; LIGHTER FLUID, SOLVENT TYPE CLEANERS, OIL-BASE PAINTS, GASOLINE, ALCOHOL OR AEROSOL SPRAYS. EXPLOSIVE DUSTS INCLUDE BUT ARE NOT LIMITED TO; COAL, MAGNESIUM, GRAIN OR GUN POWDER. TO REDUCE THE RISK OF HEALTH HAZARDS FROM VAPORS OR DUST, DO NOT VACUUM TOXIC MATERIALS.

1. Verify that the power cord is disconnected from the outlet. (fig. 1)
2. In order to prepare your vacuum for dry vacuuming, verify that the cartridge filter is securely mounted. Make sure the filter is pushed in until it stops against the power head. (fig. 2) (Your Wet/Dry Vac comes with the cartridge filter pre-installed, if not see page 10 for installation instructions.)
3. Place filter retainer on top of cartridge filter and tighten down by turning the retainer handle clockwise. (fig. 3)
4. Place the power head back on the container, aligning the top section with the latches, and snap into place. (fig. 4)
5. Insert the locking end of the hose into the vacuum port on the front of the tank and lock in place. Push the required attachment onto the free end of the hose or extension. (fig. 5)
6. Plug in the power cord into the outlet. (fig. 6)
7. Turn the motor on by flipping the switch to the 'I' ON position. (fig. 7)
8. Once you have completed vacuuming, flip the switch to the 'O' OFF position and unplug the power cord from the outlet.

O = OFF I = ON

DO NOT USE THE CARTRIDGE FILTER FOR LIQUID VACUUMING.

LIQUID VACUUM OPERATION



LIQUID VACUUMING

WARNING: BE SURE TO READ, UNDERSTAND, AND APPLY INFORMATION, ENTITLED 'SAFETY INSTRUCTIONS & WARNINGS'. DO NOT VACUUM IN AREAS WITH FLAMMABLE GASES, VAPORS, OR EXPLOSIVE DUSTS IN THE AIR. FLAMMABLE GASES OR VAPORS INCLUDE BUT ARE NOT LIMITED TO; LIGHTER FLUID, SOLVENT TYPE CLEANERS, OIL-BASE PAINTS, GASOLINE, ALCOHOL OR AEROSOL SPRAYS. EXPLOSIVE DUSTS INCLUDE BUT ARE NOT LIMITED TO; COAL, MAGNESIUM, GRAIN OR GUN POWDER. TO REDUCE THE RISK OF HEALTH HAZARDS FROM VAPORS OR DUST, DO NOT VACUUM TOXIC MATERIALS.

WARNING: DO NOT PLUG IN POWER CORD TO POWER OUTLET, MAKE SURE PLUG IS DISCONNECTED BEFORE ASSEMBLING THE WET/DRY VACUUM.

1. Verify that the power cord is disconnected from the outlet. (fig. 1) Verify that the container is clean and free of dust and dirt.
2. Remove cartridge filter, then carefully install the foam sleeve filter over the filter cage and place the power head back on the container. (fig. 2) See filter installing instructions on page 11.

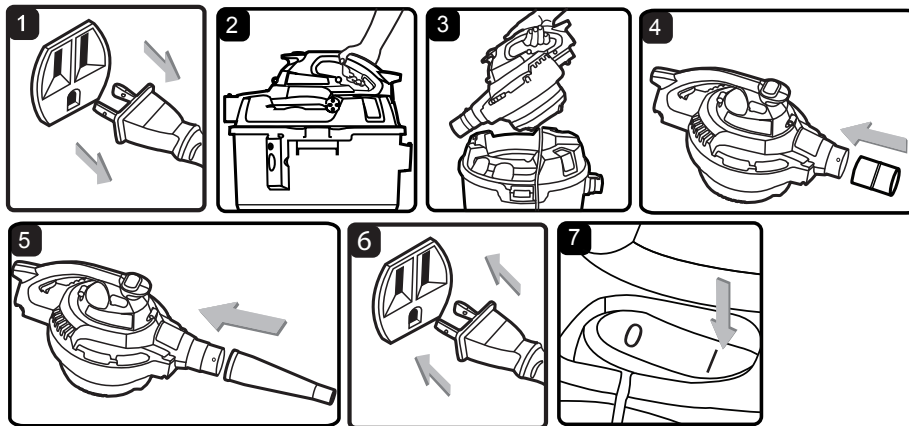
DO NOT USE CARTRIDGE FILTER FOR LIQUID VACUUMING.

3. Fit the desired nozzle to the vacuum hose. (fig. 3)
4. Verify that the switch is in the 'O' OFF position before plugging the power cord into the outlet. (fig. 4)
5. Turn the motor on by flipping the switch to the 'I' ON position. (fig. 5)
6. After use, empty the container by unscrewing the drain cap. (fig. 6) Drain Liquids into a suitable receptacle or drain. (fig. 7)
7. Remember to refit the drain cap to the container after draining container.

IMPORTANT! When vacuuming large quantities of liquids, do not immerse the nozzle completely in the liquid; leave a gap at the tip of the nozzle opening to allow air inflow. The machine is fitted with a float valve that stops the suction action when the container reaches its maximum capacity. You will notice an increase in motor speed. When this happens, turn off the machine, disconnect from power supply, and drain the liquid into a suitable receptacle or drain. To continue vacuuming, refit the container with the drain cap. After wet vacuuming, turn the machine off and remove plug from power supply. Empty the container, clean and dry the inside and outside before storage.

REMEMBER! The foam filter must be removed after wet vacuuming, and a cartridge filter must be installed before dry vacuuming again.

BLOWING OPERATION



This Wet/Dry Vac converts to a detachable blower that can be used for leaf blowing in yards, decks and patios. To use the detachable blower feature follow the instructions listed.

WARNING: ALWAYS WEAR SAFETY GOGGLES COMPLYING WITH ANSI Z87.1 (OR IN CANADA, CSAZ94.3) BEFORE USING BLOWER.

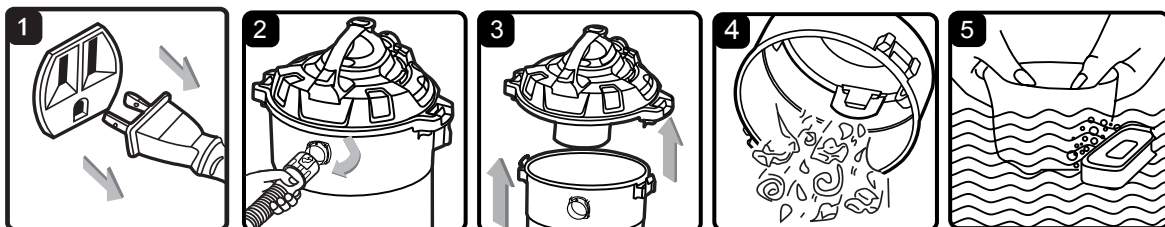
CAUTION: TO REDUCE THE RISK OF HEARING DAMAGE, WEAR EAR PROTECTION WHEN USING THE VAC/ BLOWER FOR EXTENDED HOURS OR WHEN USING IT IN NOISY AREAS.

WARNING: KEEP BYSTANDERS CLEAR FROM BLOWING DEBRIS.

WARNING: WEAR A DUST MASK IF BLOWING CREATES DUST THAT MIGHT BE INHALED.

1. Verify that the power cord is disconnected from the outlet. (fig. 1)
2. Squeeze the locking lever and lift the detachable blower from the vacuum lid. (fig. 2 & 3)
3. Insert the adaptor into the blowing port and fit it the desired extension wands and or nozzles. (fig. 4 & 5)
4. Ensure the power switch is turned off and plug into the power supply. (fig. 6)
5. Firmly hold the blower before turning it on. Turn the motor on by flipping the switch to the 'I' ON position. (fig. 7)

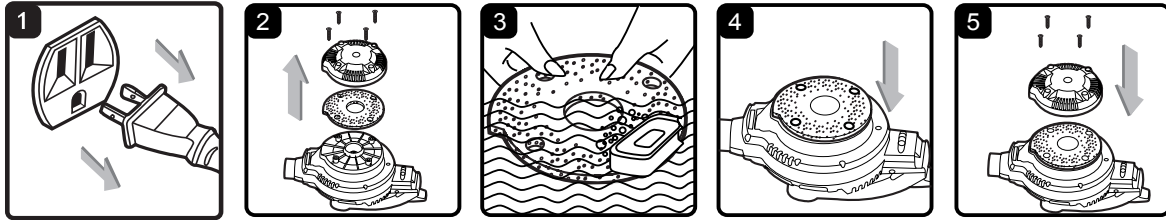
MAINTENANCE



WARNING: ALWAYS DISCONNECT THE PLUG FROM THE POWER OUTLET BEFORE REMOVING THE POWER HEAD FROM THE CONTAINER.

1. Verify that the power cord is disconnected from the outlet. (fig. 1)
2. Disconnect the hose from the unit. (fig. 2)
3. Undo the latches and remove the power head from the container. (fig. 3)
4. Clear all dirt or debris from the container and hose. (fig. 4)
5. Clean the foam filter by washing it with water and mild soap. (fig. 5)
6. Check the hose, attachments, and power cord to verify that they have not been damaged.

BLOWER INTAKE

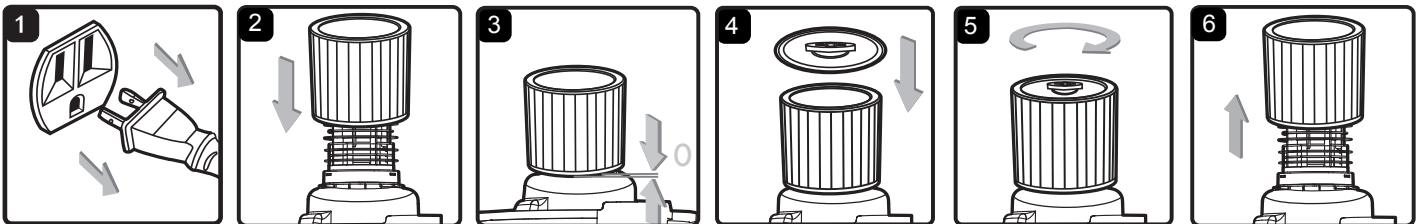


WARNING: ALWAYS DISCONNECT THE PLUG FROM THE POWER OUTLET BEFORE REMOVING THE POWER HEAD FROM THE CONTAINER.

After using the blower, examine the bottom of the blower for debris and blockages and remove if found. To clean the foam pad of the intake:

1. Verify that the power cord is disconnected from the outlet. (fig. 1)
2. Remove the four screws holding the intake shield and lift off the shield. (fig. 2)
3. Remove the foam pad from the blower and clean the foam pad with soapy water and allow to dry. (fig. 3)
4. Check the foam pad for reuse. If you need to replace the foam pad consult the parts list of the manual.
5. Replace the foam pad on to the blower aligning the wholes to the screw tabs. (fig. 4)
6. Reinstall the intake shield and the four screws. (fig. 5)

INSTALLING & CLEANING CARTRIDGE FILTER



Installing Cartridge Filter

1. Verify that the power cord is disconnected from the outlet.
2. Remove lid and power head and place in upside down position.
3. Install the cartridge filter over the filter cage with the flat end of the filter towards the vacuum lid. Carefully push filter in until it stops against the lid. (fig. 2 & 3)
4. Place filter retainer on top of cartridge filter over the raise lip and tighten down by turning retainer clockwise, do not over tighten. (fig. 3 & 4)

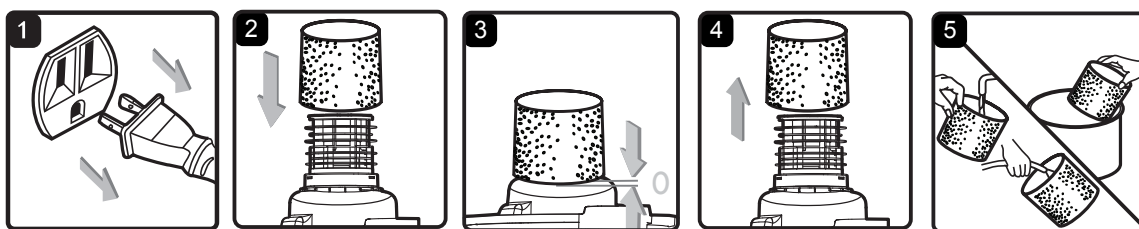
Removing and Cleaning Cartridge Filter

1. Unlock and remove the filter retainer by tuning retainer handle counter clockwise.
2. Carefully hold and pull the cartridge filter up for removal. (fig. 6)
3. Clean the cartridge filter by gently tapping or brushing dirt off. Cleaning should not be done indoors in living areas. For optimal performance a new filter is recommended.
4. Install cleaned or new filter into place as instructed above in steps 2 and 3 of Installing cartridge filter.
5. Wet filters should be removed and allowed to air dry for 24 hours before installing onto the filter cage.

IMPORTANT! Clean or change the cartridge filter regularly for best performance. **ALWAYS USE CARTRIDGE FILTER FOR DRY VACUUMING.** If the machine is used with out the cartridge filter, the motor will burn out and the warranty will be voided. Always keep spare filters on-hand.

NOTICE! The filters included are made of high quality materials designed to stop small dust particles. The cartridge filter should be used for dry pick-up only. A dry cartridge filter is necessary to pick up dust. If the cartridge filter is wet, it will clog quickly and be very difficult to clean. Handle the filter carefully when removing it for cleaning and replacing it. Check the filters for tears or small holes, a small hole can let dust pass through and out of the cleaner. Do not use a filter with holes or tears, replace it immediately.

INSTALLING & CLEANING FOAM SLEEVE FILTER



Installing Foam Sleeve Filter

1. Verify that the power cord is disconnected from the outlet. (fig. 1)
2. Remove power head and place in upside down position. Follow instructions to remove cartridge filter.
3. Carefully slide foam sleeve filter down over the filter cage making sure the whole cage is covered. (fig. 2 & 3)
4. Replace the power head on to the container.

Cleaning Foam Sleeve Filter

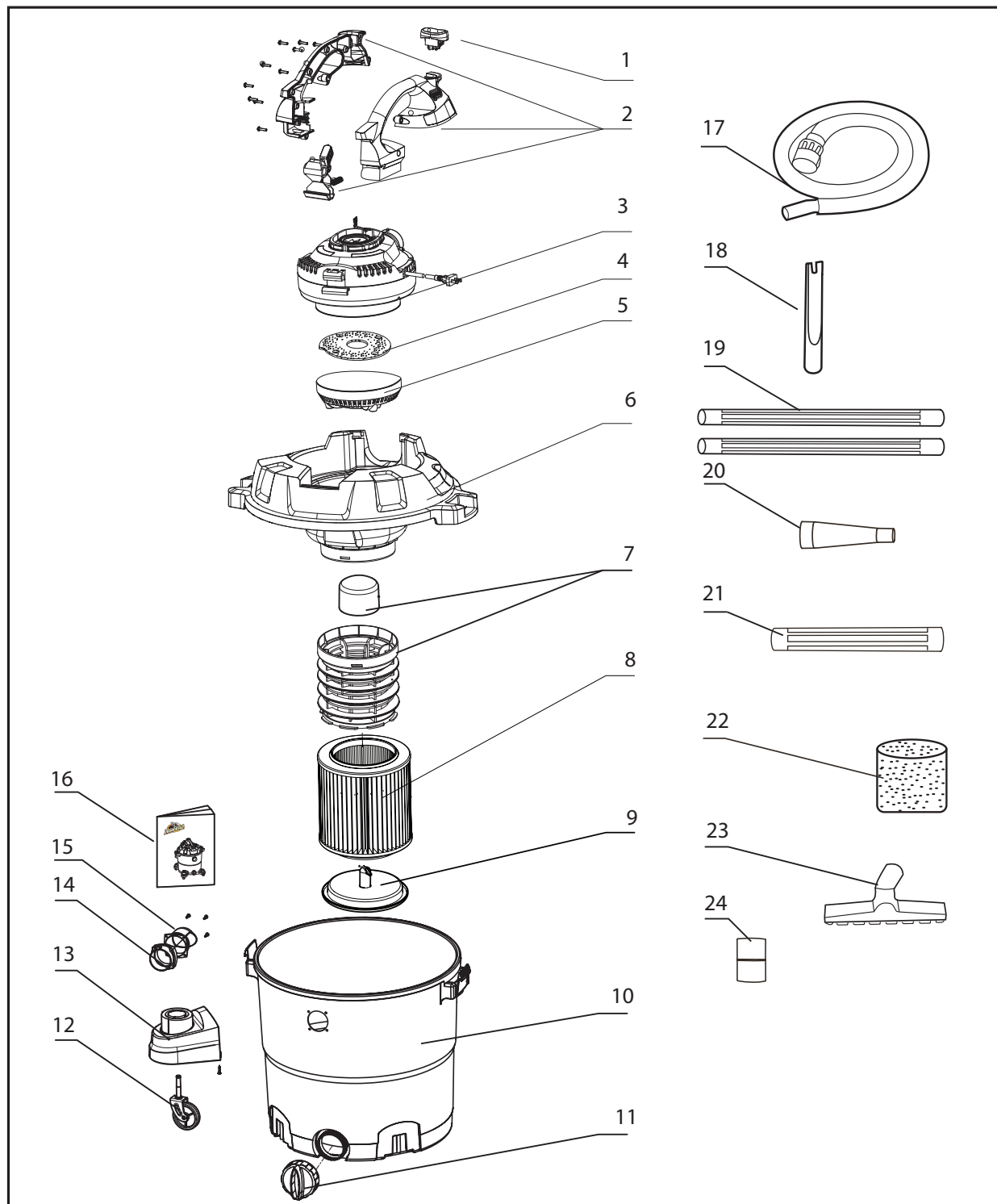
1. With the removed power head in the upside down position, carefully remove foam sleeve filter. (fig. 4)
2. Use a mild soap and water solution to wash foam sleeve filter and rinse with clean water. (fig. 5)
3. Allow filter to air dry before installing and using again.

TROUBLESHOOTING

WARNING: TO REDUCE THE RISK OF ELECTRIC SHOCK-UNPLUG BEFORE TROUBLESHOOTING

Symptom	Possible Causes	Corrective Action
Vacuum will not operate	1) No power supply.	1) Check power supply – cord, breakers, fuses.
	2) Faulty power cord.	2) Unplug and check the power cord. If damaged, have it repaired by a professional.
	3) Container full.	3) Empty container.
Dust comes from motor cover.	1) The cartridge filter is missing or damaged.	1) Attach or replace the cartridge filter.
Reduced efficiency and motor/speed vibration.	1) There is a blockage in the nozzle, hose, or the vacuum inlets. Or the dust filter is blocked by fine dust.	1) Check nozzle, hose and container inlets for blockage. Take off the filter and clean it. Or install new filter.

EXPLODED VIEW AND PARTS LIST



VBV809 0901 Manual Parts List

Part	Drawing Number	Description	Quantity	Part	Drawing Number	Description	Quantity
1	551002101	Power Switch	1	14	551001110	Vacuum Port Assembly	1
2	551002102	Handle Assembly	1	15	551105103	Vacuum Port Deflector	1
3	551002141	Power Head Blower Assembly	1	16	551002145	Operator's Manual	1
4	551002104	Blower Filter	1	17	551090104	Hose	1
5	551002105	Blower Guard	1	18	551004114	Crevice Nozzle	1
6	551002142	Container Lid	1	19	551004117	Extension Wands	2
7	551002143	Float & Filter Cage	1	20	551002115	Blower Nozzle	1
8	551004103	Cartridge Filter	1	21	551002116	Blower Wand	1
9	551004104	Filter Retainer	1	22	551002118	Foam Filter	1
10	551002144	Container	1	23	551003110	Floor Brush/Squeegee	1
11	551002122	Drain Cap	1	24	551002121	Blower Adaptor	1
12	551016110	Caster	4				
13	551088105	Caster Foot	4				

INDICE

Sección	Página
Garantía.....	13
Instrucciones de seguridad y advertencias.....	13
Instrucciones del aislamiento doble.....	14
Cordón de extensión.....	15
Desempaquetado y contenido de la caja.....	16
Instrucciones de ensamblaje general.....	17
Recogido de materiales secos.....	18
Recogido de líquidos con la aspiradora.....	19
Soplador.....	20
Mantenimiento.....	20
Instalación y limpieza del filtro de cartucho.....	21
Instalación y limpieza del filtro de esponja.....	22
Diagnostico.....	22
Partes de repuesto y diagrama.....	23

Gracias por comprar esta aspiradora mojado/seco de Armor All®. Siéntase confidente que con Armor All® está obteniendo un producto de alta calidad dirigido a el funcionamiento óptimo. Esta aspiradora es capaz de recoger líquidos y materiales secos.

PARA SU SEGURIDAD LEA CUIDADOSAMENTE Y ENTIENDA TODAS LAS INSTRUCCIONES

GARANTÍA

Nosotros nos enorgullece en producir un producto durable de alta calidad. Este producto de Armor All® tiene una garantía limitada de dos años contra defectos en la ejecución y materiales a partir de la fecha de compra bajo uso normal en su hogar. Si el producto va a ser utilizado para uso comercial, industrial o de alquiler, una garantía limitada de 90 días se aplicará. La garantía no se aplica a los defectos causados por abuso, negligencia, uso erróneo, accidentes, reparaciones o alteraciones directas o indirectas y falta de mantenimiento. Guarde por favor su recibo como prueba de la compra. Esta garantía le da derechos legales específicos, y puede tener otros derechos, que varían de estado en estado. Para servicio de su producto llame a Servicio al Cliente a (866) 384-8432

INSTRUCCIONES DE SEGURIDAD Y ADVERTENCIAS

INSTRUCCIONES DE SEGURIDAD IMPORTANTES

LEA Y ENTIENDA TODAS LAS INSTRUCCIONES ANTES DE USAR ESTA ASPIRADORA.

Lea y entienda el manual del usuario y todas las etiquetas en la aspiradora mojado/seco antes de utilizar. La seguridad es una combinación de sentido común, hay que permanecer alerta y saber como su aspiradora trabaja. Utilizar esta aspiradora mojado/seco solamente según lo descrito en este manual. Para reducir el riesgo de daños corporales o de daño a su aspiradora mojado/seco, utilice solamente los accesorios recomendados Armor All®

Para Uso Domestico Solamente.

GUARDE ESTE MANUAL PARA FUTURA REFERENCIA

Al usar electrodomésticos, precauciones básicas siempre debe de ser seguidas incluyendo las siguientes:

ADVERTENCIA: PARA REDUCIR EL RIESGO DE FUEGO, SACUDIDA ELÉCTRICA O DE ESIÓN:

- No deje la aspiradora desatendida cuando este desenchufada.
- No limpie con la aspiradora, o utilice esta aspiradora mojado/seco cerca de líquidos inflamables, gases, o vapores explosivos como la gasolina u otros combustibles, líquido de butano, limpiadores, pinturas a base de aceite, gas natural, hidrógeno, o explosivos como el polvo de carbón, el polvo de magnesio, el polvo de grano, o pólvora. Las chispas dentro del motor pueden encender vapores inflamables o polvos combustibles.
- No aspire objetos que están encendidos o echando humo, por ejemplo cigarrillos, fósforos, o las cenizas calientes.
- Mantenga el cordón eléctrico lejos de superficies calientes.
- No esponga a la lluvia. Almacene en interiores.
- No desenchufe tirando del cordón. Para desenchufar, agarrare el enchufe, no el cordón.
- No utilice con el cordón, el enchufe u otras piezas dañadas.
- Si su aspiradora mojado/seco no está trabajando como debe, hay piezas que faltan, se ha caído o se ha dañado, ha sido dejada la intemperie, o ha caído en el agua, devuélvala a un centro de servicio independiente.
- No tire ni lleve por el cable, ni utilice el cordón de uso como manija, no cierre puertas sobre el cordón, o le de tirones alrededor de bordes o de esquinas filosas.
- No pase la aspiradora mojado/seco encima de su cordón eléctrico.
- No toque el enchufe o la aspiradora mojado/seco con las manos mojadas.
- Para reducir el riesgo de peligros para la salud por vapores o polvo, no aspire materiales tóxicos.
- No utilice ni almacene cerca de materiales peligrosos.
- No utilice esta aspiradora mojado/seco con un filtro rasgado o sin el filtro instalado excepto al limpiar líquidos con la aspiradora según lo descrito en la sección de la operación de este manual.
- No utilice como juguete. La máxima atención es necesaria cuando sea utilizada por niños o cerca de éstos.
- Para reducir el riesgo de lesiones debido a un arranque accidental, desenchufe el cordón eléctrico antes de cambiar o de limpiar el filtro.
- No deje la aspiradora mojado/seco desatendida cuando este conectada a un tomacorriente. Desenchufe de la corriente eléctrica cuando no este siendo utilizada y antes de darle servicio de ajustes y reparaciones.
- Apague su aspiradora mojado/seco antes de desenchufar.
- No ponga ningún objeto en las aberturas de la ventilación. No utilice la aspiradora con ninguna de las aberturas de la ventilación bloqueadas; mantenga libre de polvo, pelusa, cabellos o cualquier cosa que pueda reducir el flujo de aire.
- Mantenga el cabello, ropa suelta, dedos, y todas las partes del cuerpo lejos de aberturas y de piezas móviles.
- Para reducir el riesgo de caídas, utilice cuidado adicional al limpiar en las escaleras.

Al usar como soplador:

- Dirija la descarga directa del aire solamente al área de trabajo.
- No utilice la aspiradora mojado/seco como rociador.
- No dirija el aire a las personas.
- Mantenga a los niños alejados del área.
- Utilice anteojos de seguridad.

INSTRUCCIONES DE AISLAMIENTO DOBLE

Esta aspiradora mojado/seco tiene aislamiento doble, eliminando la necesidad de un sistema de conexión a tierra separado. Utilice solamente piezas de repuesto idénticas. Lea las instrucciones para mantenimiento de su aspiradora mojado/seco con doble-aislamiento antes de realizar ajustes y reparaciones. Utilice esta aspiradora según lo descrito en este manual. Observe las siguientes advertencias que aparecen en la cubierta del motor de su aspiradora.


 **AISLAMIENTO DOBLE - NO REQUIERE UN SISTEMA DE CONEXIÓN A TIERRA SEPARADO - UTILICE SOLAMENTE PIEZAS DE REPUESTO IDÉNTICAS.**

ADVERTENCIA: PARA REDUCIR EL RIESGO DE SACUDIDAS ELÉCTRICAS NO EXPONGA A LA LLUVIA. ALMACÉNE EN INTERIORES.

ADVERTENCIA: PARA SU PROPIA SEGURIDAD, LEA Y ENTIENDA EL MANUAL DEL USUARIO. NO DEJE DESATENDIDO. NO RECOJA CENIZAS CALIENTES, CARBONES, MATERIALES TÓXICOS, INFLAMABLES U OTROS MATERIALES PELIGROSOS, NO UTILIZE ALREDEDOR DE LÍQUIDOS O DE VAPORES EXPLOSIVOS.

PRECAUCIÓN:

- No limpie el polvo de yeso o cemento con la aspiradora, el hollín o la ceniza de la chimenea utilizando un filtro estándar mojado/ seco. Este es un polvo muy fino el cuál no será capturado por el filtro y puede causar daño al motor. Cuando aspire polvos finos use un filtro para polvos finos.

ADVERTENCIA: EN LA ASPIRADORA MOJADO/SECO CON AISLAMIENTO DOBLE SE PROPORCIONAN DOS MEDIOS DE AISLAMIENTO EN VEZ DE CONEXIÓN A TIERRA. NO SE PROPORCIONA NINGÚN MEDIO DE CONEXIÓN A TIERRA A UN APARATO ELECTRODOMÉSTICO CON AISLAMIENTO DOBLE, NI SE DEBE AÑADIR A ÉSTE NINGUN MEDIO DE CONEXIÓN A TIERRA. EI SERVICIO DE AJUSTES Y REPARACIONES DE LA ASPIRADORA CON AISLAMIENTO DOBLE REQUIERE EXTREMO CUIDADO Y CONOCIMIENTO DEL SISTEMA, Y DEBE SER REALIZADO ÚNICAMENTE POR PERSONAL DE SERVICIO AUTORIZADO. SU ASPIRADORA ESTA MARCADA CON LAS PALABRAS 'DOUBLE INSULATED' EL SÍMBOLO  (CUADRADO DENTRO DE UN CUADRADO) TAMBIÉN ESTA MARCADO EN EL APARATO.

- Para reducir el riesgo de una sacudida eléctrica desenchufe antes de la limpieza o de mantenimiento.
- NO UTILIZE sin los filtros en su lugar.

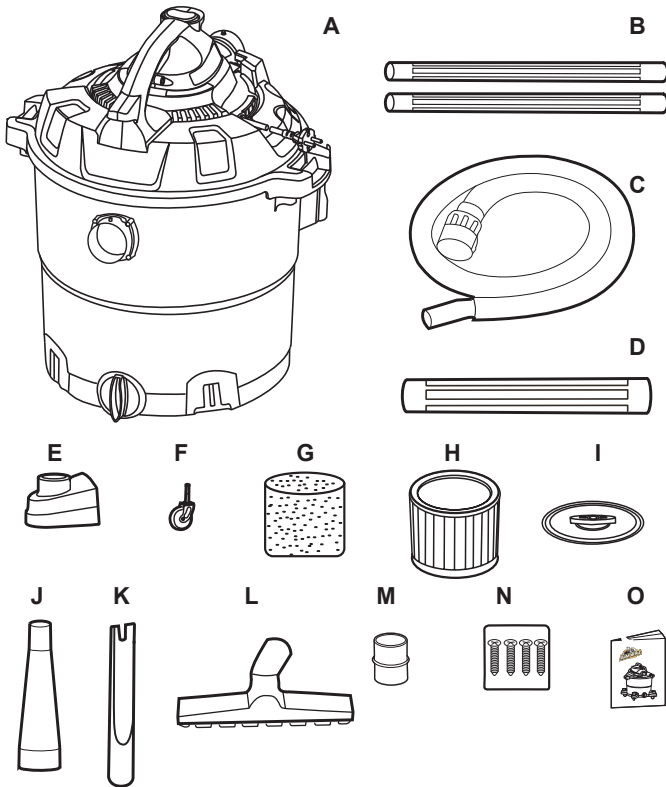
PRECAUCIÓN: PARA REDUCIR EL RIESGO DE LESIÓN A CAUSA DE PIEZAS MOVIBLES DESENCHUFE ANTES DE REPARAR.

CORDÓN DE EXTENSIÓN

Al utilizar un cordón de extensión con su aspiradora mojado/seco refiérase a la siguiente tabla para determinar el tamaño requerido del cordón de A.W.G. Antes de usar la aspiradora asegúrese de que el cordón eléctrico y el cordón de la extensión están en buenas condiciones para hacer el trabajo. Haga las reparaciones o los reemplazos antes de usar la aspiradora. Utilice únicamente cordones de extensión que tengan capacidad nominal para uso a la intemperie.

	Longitud del cordón de extensión			
110V-120V	25 Pies 7.5 Metros	50 Pies 15.25 Metros	100 Pies 30.5 Metros	150 Pies 45.7 Metros
Amps	A.W.G. Tamaño del cordón			
0-6	18	16	16	14
7-10	18	16	14	12
11-12	16	16	14	12
13-16	14	12	No se recomienda	

DESEMPAQUETADO Y CONTENIDO DE LA CAJA

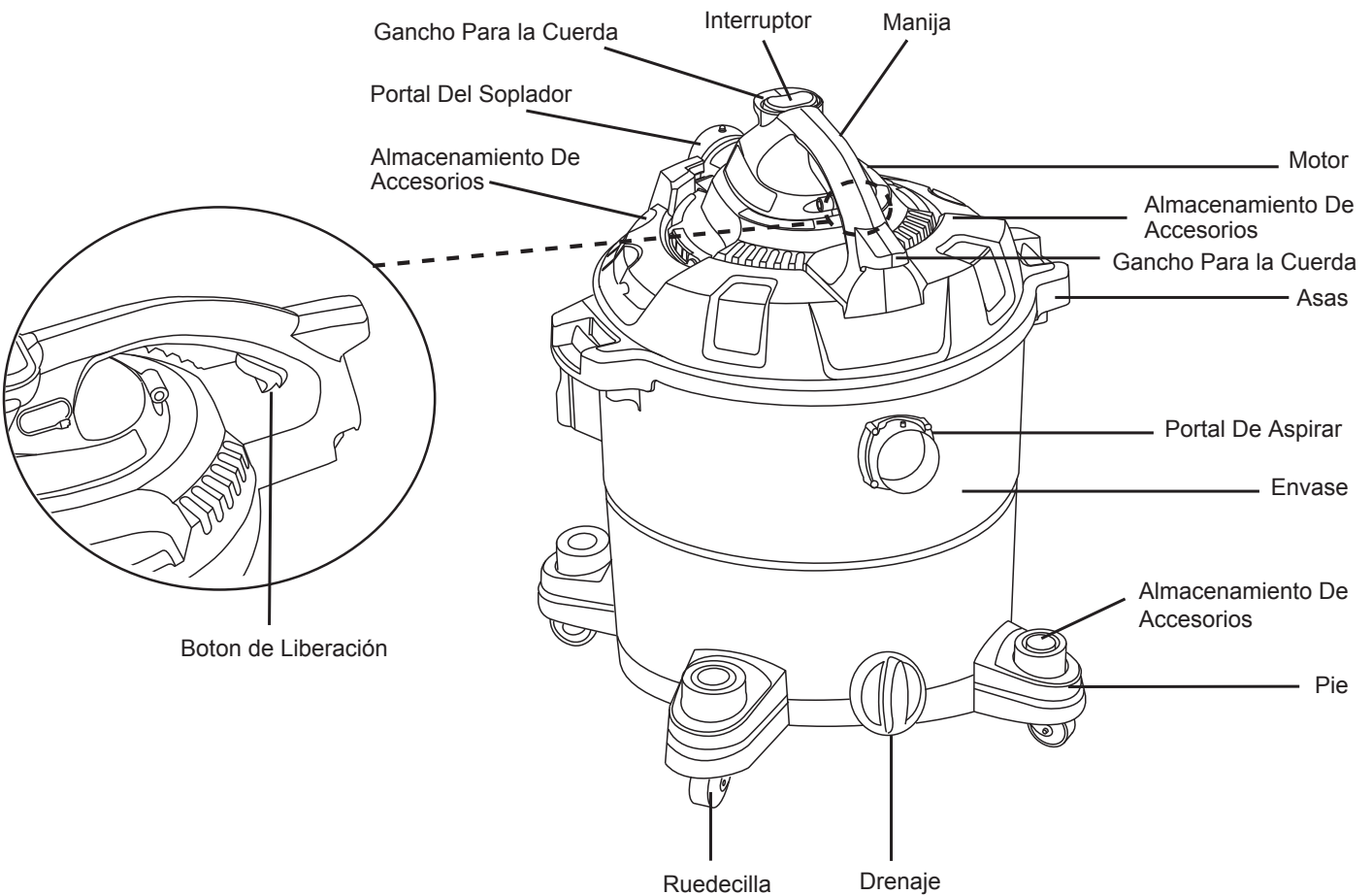


Sacar el contenido del cartón. Compruebe cada artículo contra la lista de contenido.

Lista de contenido

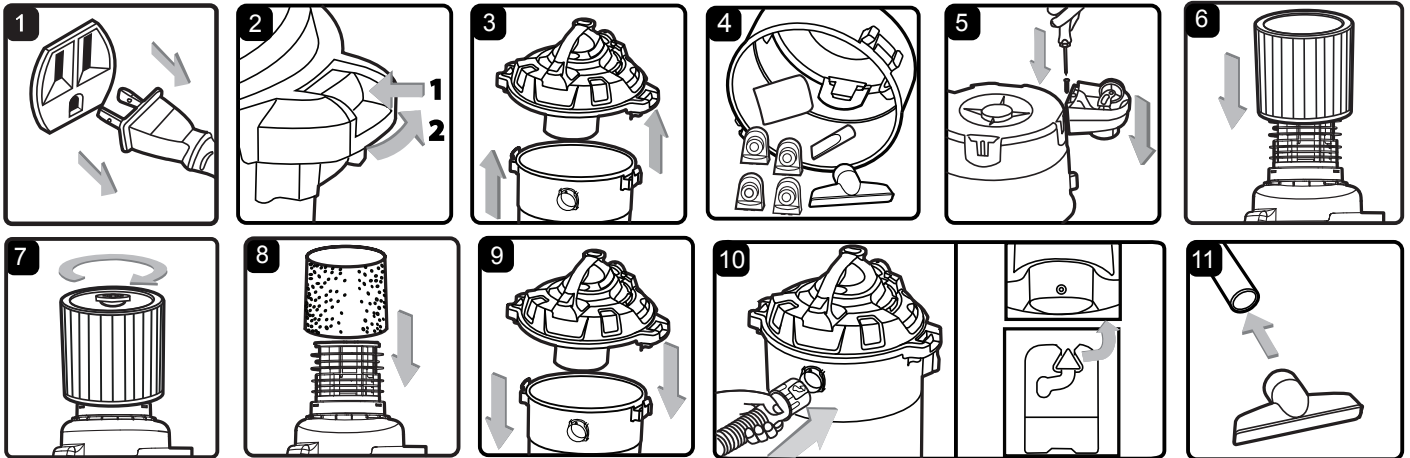
CLAVE	DESCRIPCIÓN	Cant.
A	Ensamblaje de la aspiradora	1
B	Tubos extensores	2
C	Manguera	1
D	Extensión para soplar	1
E	Pie con almacenamiento	4
F	Ruedecilla	4
G	Filtro de esponja	1
H	Filtro de cartucho	1
I	Retenedor de filtro	1
J	Boquilla para soplar	1
K	Herramienta para ranuras	1
L	Cepillo para pisos y escurridor	1
M	Adaptador	1
N	4 Tornillos (Saco)	4
O	Manual del usuario	1

NOTA: La manguera y los accesorios de esta aspiradora son de 1.25 pulgadas (3.2cm) de diámetro. La extensión y boquilla para soplar y la so no 2.5 pulgadas (6.4cm) de diámetro.



INSTRUCCIONES DE ENSAMBLAJE GENERAL

Se requiere un destornillador de estrella. (Phillips)



ADVERTENCIA: NO ENCHUFE EL CABLE ELÉCTRICO AL TOMACORRIENTE, ASEGURESE DE QUE EL ENCHUFE ESTE DESCONECTADO ANTES DE ENSAMBLAR SU ASPIRADORA.

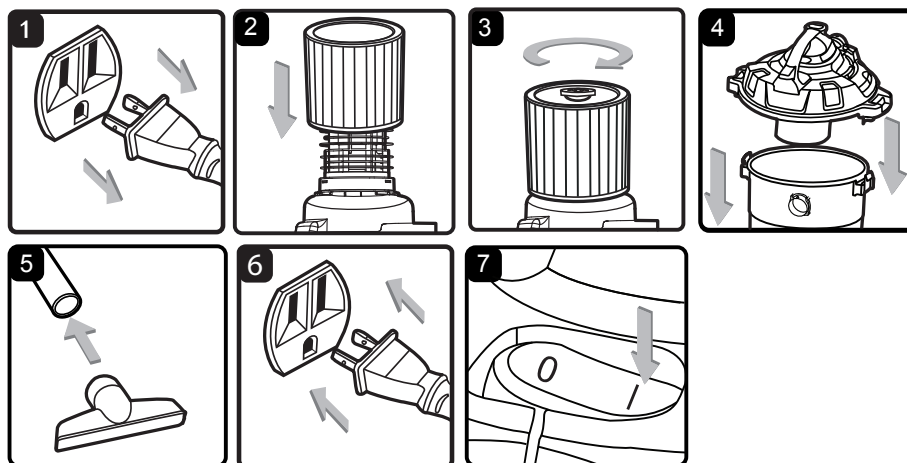
DESEMPAQUE DE SU ASPIRADORA Y ENSAMBLAJE

1. Verifique que el cordón eléctrico esté desconectado del enchufe. (fig. 1)
2. Suelte las asas. (fig. 2)
3. Retire la tapa con el motor del envase. (fig. 3)
4. Saque el contenido dentro del envase, asegúrese de tener todo el contenido según lo enumerado en la página 5. (fig. 4)
5. Acomode el envase boca abajo, inserte los pies y asegure con los tornillos provistos. Verifique que estén montados correctamente. No apriete los tornillos muy fuertemente. (fig. 5)
6. Su aspiradora viene preparada para aspirar en seco. Si el filtro de cartucho no está instalado refiérase a la página 10 para la instalación del filtro. (fig. 6 y 7)
7. Para aspirar mojado, instale el filtro de esponja incluido. (fig. 8) Vea la página 11 para instalación del filtro.
8. Coloque nuevamente la tapa sobre el envase, alinee las asas, y presione hasta que estén aseguradas en su lugar. (fig. 9)
9. Inserte el extremo de conexión de la manguera en la entrada del envase y de vuelta hacia adentro para asegurar. (fig. 10)
10. Elija los accesorios deseados y coloque sobre el tubo de succión. (fig. 11)

ENCHUFE POLARIZADO

Para reducir el riesgo de sacudidas eléctricas, este aparato electrodoméstico tiene un enchufe polarizado (una hoja es más ancha que la otra). Este enchufe entrará en un tomacorriente polarizado solamente de una manera. Si el enchufe no entra por completo en el tomacorriente, voltéelo. Si sigue sin entrar, póngase en contacto con un electricista competente para instalar el tomacorriente adecuado. No modifique el enchufe. Aislamiento doble elimina la necesidad de un enchufe de tres cables con tierra y de un sistema de conexión a tierra separado.

RECOGIDA DE MATERIALES SECOS



ASPIRAR MATERIALES EN SECO

ADVERTENCIA: ASEGURESE DE LEER, ENTENDER, Y APLICAR LA INFORMACIÓN, DADA SOBRE LAS “INSTRUCCIONES DE SEGURIDAD Y ADVERTENCIAS”. NO LIMPIE CON LA ASPIRADORA EN ÁREAS CON GASES INFLAMABLES, VAPORES, O POLVOS EXPLOSIVOS EN EL AIRE. LOS GASES O LOS VAPORES INFLAMABLES INCLUYEN PERO NO SE LIMITAN A; LÍQUIDO DE BUTANO, SOLVENTES EN FORMA DE AEROSOL PARA LIMPIAR, PINTURAS A BASE DE ACEITE, GASOLINA, ALCOHOL O AEROSOL. EL POLVO EXPLOSIVO INCLUYE PERO NO SE LIMITA A; POLVO DE CARBÓN, GRANO DE MAGNESIO O POLVORA. PARA REDUCIR EL RIESGO DE LOS VAPORES A LA SALUD NO ASPIRE MATERIALES TÓXICOS CON LA ASPIRADORA.

1. Verifique que el cordón eléctrico esté desconectado del enchufe. (fig. 1)
2. Para preparar su aspiradora para limpiar en seco, verifique que el filtro de cartucho está bien asegurado en su lugar. Cerciérese de que el filtro esté puesto contra el cabezal. (fig. 2) (Su aspiradora viene con el filtro pre-instalado para referencia vea las instrucciones en la pagina 21.)
3. Coloque el retenedor del filtro encima del cartucho del filtro y apriete hacia abajo dando vuelta a la manija hacia la derecha. (fig. 3)
4. Ponga la tapa en el envase, y asegúrela en su lugar usando las asas. (fig. 4)

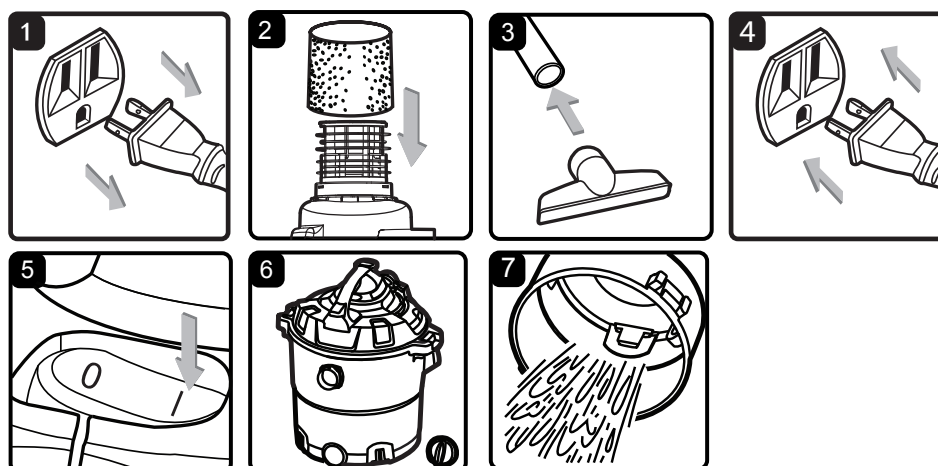
INSTRUCCIONES DE FUNCIONAMIENTO: ASPIRAR MATERIALES EN SECO

5. Inserte el extremo de conexión de la manguera en el cabezal y asegúrela en su lugar. Empuje el accesorio requerido sobre el final libre de la manguera o de la extensión. (fig. 5)
6. Enchufe el cordón eléctrico en el tomacorriente. (fig. 6)
7. Encienda el motor moviendo el interruptor a la posición de encendido con el símbolo 'I'. (fig. 7)
8. Una vez que usted haya terminado de limpiar con la aspiradora, mueva el interruptor a la posición de apagado 'O' OFF y desenchufe el cordón eléctrico del tomacorrientes.

O = Apagado I = Encendido

NO UTILICE EL FILTRO DE CARTUCHO PARA ASPIRAR LÍQUIDOS CON LA ASPIRADORA

RECOGIDO DE LÍQUIDOS CON LA ASPIRADORA



ASPIRACION DE LÍQUIDOS

ADVERTENCIA: ASEGURESE DE LEER, ENTENDER, Y APLICAR LA INFORMACIÓN, DADA SOBRE LAS “INSTRUCCIONES DE SEGURIDAD Y ADVERTENCIAS”. NO LIMPIE CON LA ASPIRADORA EN ÁREAS CON GASES INFLAMABLES, VAPORES, O POLVOS EXPLOSIVOS EN EL AIRE. LOS GASES O LOS VAPORES INFLAMABLES INCLUYEN PERO NO SE LIMITAN A; LÍQUIDO DE BUTANO, SOLVENTES EN FORMA DE AEROSOL PARA LIMPIAR, PINTURAS A BASE DE ACEITE, GASOLINA, ALCOHOL O AEROSOL. EL POLVO EXPLOSIVO INCLUYE PERO NO SE LIMITA A; POLVO DE CARBÓN, GRANO DE MAGNESIO O POLVORA. PARA REDUCIR EL RIESGO DE LOS VAPORES A LA SALUD NO ASPIRE MATERIALES TÓXICOS CON LA ASPIRADORA.

ADVERTENCIA: NO ENCHUFE EL CORDÓN ELECTRICO AL TOMACORRIENTES, ASEGÚRESE DE QUE NO ESTE CONECTADA AL TOMACORRIENTE ANTES DE ENSAMBLAR SU ASPIRADORA.

1. Verifique que el cordón eléctrico esté desconectado del enchufe. (fig. 1) Verifique que el envase esté limpio y libre de polvo.
2. Saque el filtro de cartucho, después instale cuidadosamente el filtro de esponja sobre la jaula del filtro y ponga la tapa de vuelta en el envase. (fig. 2) Vea las instrucciones de instalación en la página 22.

NO UTILICE EL FILTRO DE CARTUCHO PARA ASPIRAR LÍQUIDOS CON LA ASPIRADORA.

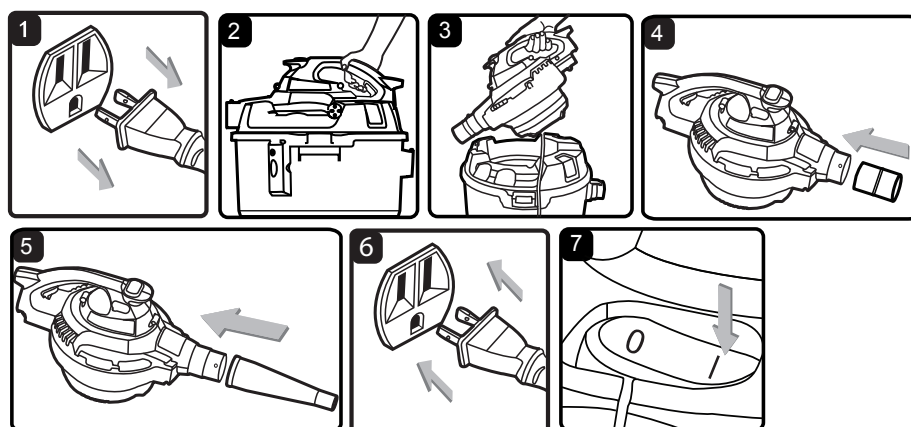
INSTRUCCIONES DE FUNCIONAMIENTO - ASPIRAR LIQUIDOS

3. Coloque a la manguera la boquilla que desea utilizar. (fig. 3)
4. Verifique que el interruptor esté en posición de apagado 'O' antes de enchufar el cordón eléctrico en el enchufe. (fig. 4)
5. Encienda el motor moviendo el interruptor a la posición de encendido con el símbolo 'I'. (fig. 5)
6. Después de cada uso, vacíe el envase en un receptáculo apropiado o un desagadero desatornillando la tapa de drenaje. Recuerde de reinstalar la tapa de drenaje al envase. (fig. 6 y 7)

¡IMPORTANTE! Al aspirar grandes cantidades de líquidos con la aspiradora, no sumerja la apertura de la manguera totalmente en el líquido; deje un boquete en la extremidad de la manguera para permitir afluencia del aire. La máquina está equipada con un flotador que detiene la acción de succión cuando el envase alcanza su capacidad máxima. Usted notará un aumento en velocidad del motor. Cuando esto suceda, apague la máquina, desconéctela del tomacorriente, y drene el líquido. Para continuar aspirando, reinstale la tapa del drenaje. Al terminar de aspirar, cerciórese que el interruptor esté en posición de apagado y quite el enchufe del tomacorriente. Vacíe el envase, limpie y seque el interior y el exterior antes de almacenar.

¡RECUERDE! El filtro de esponja se debe quitar después de aspirar líquidos con la aspiradora, y un filtro de cartucho se debe instalar antes de limpiar otra vez materiales secos.

SOPLADOR



Esta aspiradora tiene capacidad para ser soplador. Para utilizar como soplador siga las instrucciones enumeradas.

ADVERTENCIA: SIEMPRE UTILICE ANTEOJOS DE SEGURIDAD QUE CONFORMEN CON ANSI Z87.1 (O EN CANADA, CSAZ94.3) ANTES DE USAR EL SOPLADOR.

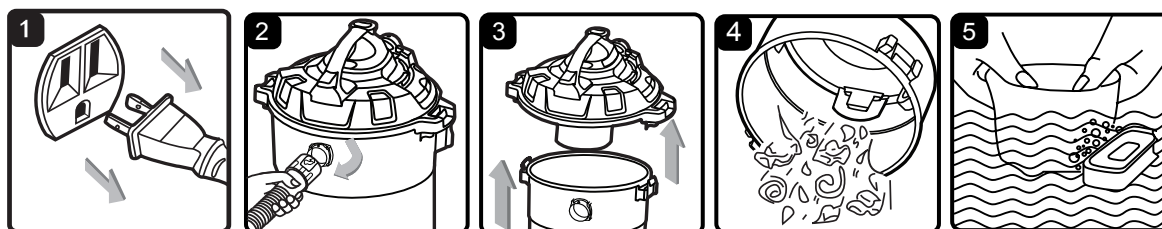
PRECAUCIÓN: PARA REDUCIR EL RIESGO DE PERDIDA DE AUDICION, UTILIZE PROTECCION PARA LOS OIDOS CUANDO ESTE USANDO EL SOPLADOR POR HORAS EXTENDIDAS O EN AREAS RUIDOSAS.

ADVERTENCIA: MANTENGA A LAS PERSONAS ALEJADAS DEL LOS RESIDUOS SOPLADOS.

ADVERTENCIA: UTILIZE UNA MASCARA ANTIPOLVO SI AL SOPLAR SE CREA POLVO QUE PUEDA SER INHALADO.

1. Verifique que el cordón eléctrico esté desconectado del enchufe. (fig. 1)
2. Apriete la palanca de asegurar del soplador y levante el soplador de la tapa de la aspiradora. (fig. 2 y 3)
3. Inserte el adaptador al portal del soplador e inserte la extensión o boquilla deseada. (fig. 4 y 5)
4. Asegúrese de que el interruptor este en la posición de apagado y enchufe al tomacorrientes. (fig. 6)
5. Antes de encender el soplador aguante el soplador con firmeza. Encienda el motor moviendo el interruptor a la posición de 'I'. (fig. 7)

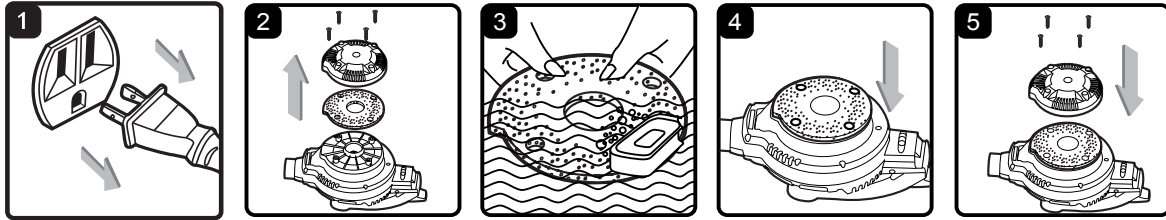
MANTENIMIENTO



¡ADVERTENCIA! SIEMPRE DESCONECTE EL ENCHUFE DEL TOMACORRIENTE ANTES DE QUITAR LA TAPA DEL ENVASE.

1. Verifique que el enchufe esté desconectado del tomacorriente. (fig. 1)
2. Desconecte la manguera del envase. (fig. 2)
3. Suelte las asas y quite la tapa del envase. (fig. 3)
4. Limpie todo el sucio o partículas del envase y manguera. (fig. 4)
5. Limpie el filtro de esponja lavándolo con agua y jabón suave. (fig. 5)
6. Verifique que la manguera, los accesorios y el cordón eléctrico no hayan sido dañados.

TOMA DE AIRE DEL SOPLADOR

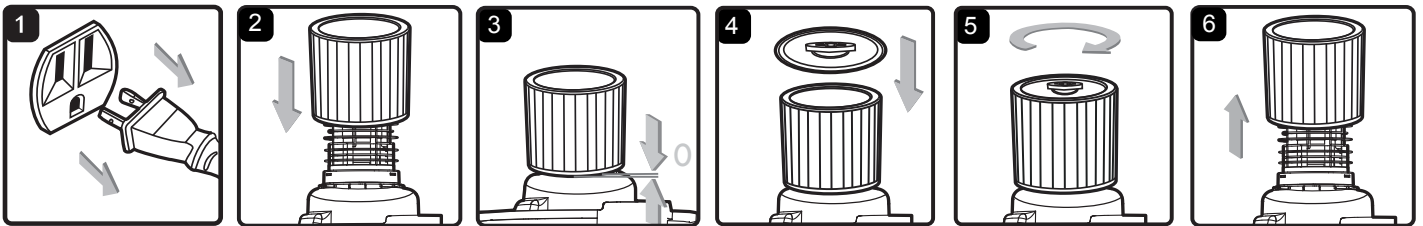


¡ADVERTENCIA! SIEMPRE DESCONECTE EL ENCHUFE DEL TOMACORRIENTE ANTES DE QUITAR LA TAPA DEL ENVASE.

Después de usar el soplador, examine la parte inferior para escombros y obstrucciones y límpiela. Para limpiar el filtro de goma:

1. Verifique que el enchufe esté desconectado del tomacorriente. (fig. 1)
2. Retire los 4 tornillos del blindaje y quite el blindaje. (fig. 2)
3. Retire el filtro de goma del soplador y límpielo con agua y jabón. Deje secar el filtro al aire libre. (fig. 3)
4. Examine el filtro de goma para reutilizar. Si necesita reemplazar el filtro, consulte la lista de partes de este manual.
5. Reinstale el filtro de goma al soplador alineándolo con los huecos para los tornillos. (fig. 4)
6. Reinstale el blindaje con los 4 tornillos. (fig. 5)

INSTALACIÓN Y LIMPIEZA DEL FILTRO DE CARTUCHO



Instalación Y Limpieza Del Filtro De Cartucho

1. Verifique que el enchufe esté desconectado del tomacorriente. (fig. 1)
2. Quite la tapa del envase y colóquela con el filtro hacia arriba.
3. Instale el filtro de cartucho con el lado plano sobre la jaula de filtro. Cuidadosamente empuje el filtro hacia adentro hasta que pare contra el cabezal. (fig. 2 y 3)
4. Coloque el retenedor del filtro encima del filtro sobre el labio levantado y apriételo girándolo a la derecha. (fig. 4 y 5)

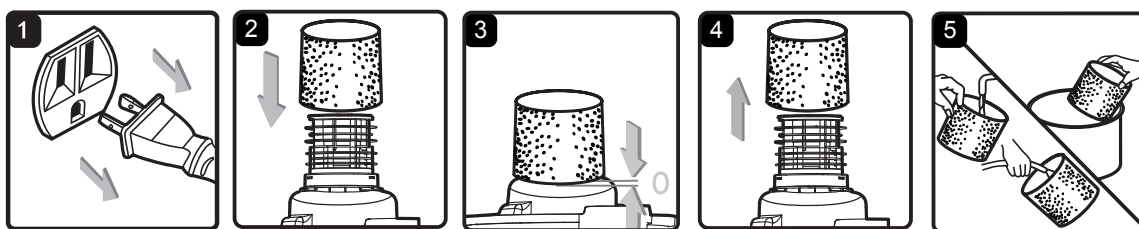
Para Quitar Y Limpiar El Filtro

1. Suelte y quite el retenedor girándolo en sentido contrario de las manecillas del reloj.
2. Sostenga y hale cuidadosamente el filtro para retirarlo. (fig. 6)
3. Limpie el filtro suavemente golpeando ligeramente o cepillando la suciedad. La limpieza se debe realizar al aire libre y no en el interior de su vivienda. Para óptimo resultado se recomienda utilizar un filtro nuevo.
4. Instale el filtro ya limpio o un filtro nuevo como se indica en los pasos 2 y 3 de Instalación y Limpieza del Filtro De Cartucho.
5. Los filtros mojados se deben quitar y permitir ventilar hasta estar secos antes de instalar sobre la jaula del filtro.

¡IMPORTANTE! Limpie o cambie el filtro regularmente para mejor funcionamiento. **SIEMPRE UTILICE EL FILTRO DE CARTUCHO PARA LIMPIAR CON LA ASPIRADORA EN SECO.** Si la máquina se utiliza sin el filtro de cartucho, el motor se quemará y la garantía será anulada. Siempre tenga a mano repuestos de los filtros.

¡AVISO! El filtro incluido está hecho con materiales de alta calidad diseñado para atrapar partículas de polvo pequeñas. El filtro se debe utilizar para recoger en seco solamente. Un filtro seco es necesario para recoger el polvo. Si el filtro de polvo está mojado, se estropeará rápidamente y será muy difícil limpiar. Utilice cuidado al quitar el filtro para limpiarlo y cambiarlo. Examine los filtros para ver si tienen rasgones o agujeros pequeños, un agujero pequeño puede dejar pasar el polvo a través y fuera del aspirador. No utilice un filtro con agujeros o rasgones, cambie inmediatamente.

INSTALACIÓN Y LIMPIEZA DEL FILTRO DE ESPONJA



Instalación Del Filtro De Esponja

1. Verifique que el enchufe esté desconectado del tomacorriente. (fig. 1)
2. Quite la tapa y colóquela con el filtro hacia arriba. Siga las instrucciones para quitar el filtro de cartucho.
3. Cuidadosamente resbale el filtro de esponja hacia abajo, sobre la jaula del filtro y empuje el filtro hacia adentro hasta que cubra la jaula completamente. (fig. 2 y 3)
4. Ponga la tapa de vuelta a su lugar en el envase.

Limpieza Del Filtro De Esponja

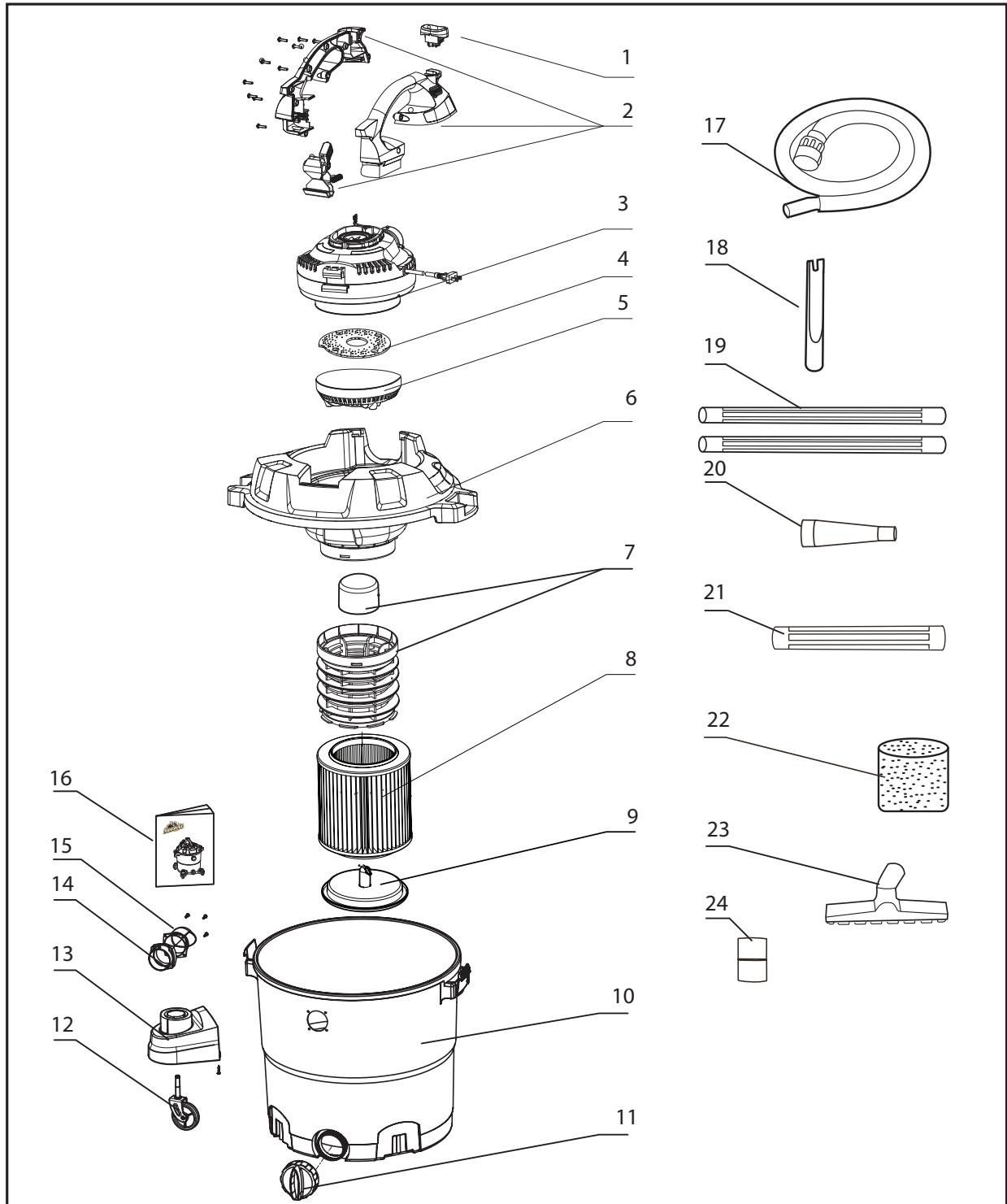
1. Con la tapa en posición invertida quite cuidadosamente el filtro de esponja. (fig. 4)
2. Utilice una solución de jabón y agua para lavar el filtro de esponja, enjuague con agua limpia. (fig. 5)
3. Permita que el filtro se seque antes de instalar y de usar otra vez.

DIAGNOSTICO

¡ADVERTENCIA! SIEMPRE DESCONECTE EL ENCHUFE DEL TOMACORRIENTE ANTES DE DIAGNOSTICAR.

Síntoma	Posibles Causas	Como Corregir
Aspiradora no funciona	1) No esta conectada al tomacorriente.	1) Inspeccione el tomacorriente, cordón, caja de fusibles y fusibles.
	2) Cordón eléctrico defectuoso.	2) Desenchufe y examine el cordón eléctrico. Si está dañado, haga que sea reparado por un profesional.
	3) Envase lleno.	3) Vacíe el envase.
Polvo sale de la cubierta del motor.	1) El filtro de cartucho no esta puesto o esta dañado.	1) Ponga un filtro de cartucho o reemplace.
Eficacia reducida y vibración del motor.	1) Hay una obstrucción en la boquilla, la manguera, o la entrada del envase. O el filtro esta bloqueado por polvo fino.	1) Examine las entradas de la boquilla, de la manguera y del envase para saber si hay una obstrucción. Saque el filtro y límpielo. O instale un filtro nuevo.

PARTES DE REPUESTO Y DIAGRAMA



VBV809 0901 Lista De Repuestos

Numero Clave	Numero Del Dibujo	Descripción	Cantidad	Numero Clave	Drawing Number	Descripción	Cantidad
1	551002101	Interruptor	1	14	551001110	Ruedecilla	1
2	551002102	Ensamblaje De Manija	1	15	551105103	Pie De Ruedecilla	1
3	551002141	Asamblea Del Motor	1	16	551002145	Operator's Manual	1
4	551002104	Filtro De Goma (Soplador)	1	17	551090104	Manguera	1
5	551002105	Blindaje Del Soplador	1	18	551004114	Herramienta para ranuras	1
6	551002142	Tapa Del Envase	1	19	551004117	Tubos Extensores	2
7	551002143	Jaula Y Flota	1	20	551002115	Boquilla Para Soplar	1
8	551004103	Filtro De Cartucho	1	21	551002116	Extension Para Soplar	1
9	551004104	Retenedor De Filtro	1	22	551002118	Filtro De Esponja	1
10	551002144	Envase	1	23	551003110	Cepillo para pisosy escurridor	1
11	551002122	Tapa Para Drenaje	1	24	551002121	Adaptador	1
12	551016110	Ruedecilla	4				
13	551088105	Pie De Ruedecilla	4				

This brochure was downloaded from

wet-dry-vac.com

The most comprehensive source of information about wet/dry shop vacuums on the Internet!

Wet-dry-vac.com allows you to learn about how to purchase a wet/dry vac, compare and review detailed specifications on hundreds of models, and find compatible filters.

You can also view manuals, parts lists and brochures for hundreds of models. Plus, you can find the best prices for vacuums and filters, and purchase online right from the site.

