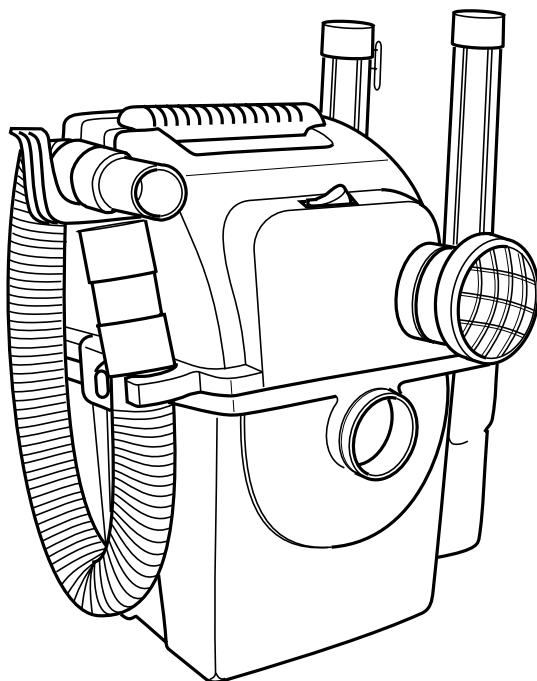


# WORKSHOP<sup>®</sup> MD

## WET/DRY VACS

### OWNER'S MANUAL

- Wall Mounted Wet/Dry Vac
- 5 U.S. Gallon/ 18 Liter
- WS0500WM0/  
WS0500WM



FOR QUESTIONS OR INFORMATION CONTACT US AT:  
1-888-455-8724 from the US and Canada  
[www.WORKSHOPvacs.com](http://www.WORKSHOPvacs.com)

**⚠ WARNING:**

To reduce the risk of injury, the user must read and understand the owner's manual before using this product.

- Español - página 19
- Français - page 37

**SAVE THIS MANUAL FOR FUTURE REFERENCE**

# TABLE OF CONTENTS

Section	Page	Section	Page
Important Safety Instructions	2	Operation	12
Introduction	4	Emptying the Vac Canister	13
Unpacking & Checking Carton Contents List	4	Blowing Feature	13
Storage Rack Assembly & Mounting	5	Choosing the Correct Filter	14
Wall Mounted Vac Assembly	7	Maintenance	15
Vac Assembly	7	Filter	15
Cord Wrap Storage	7	Filter Removal and Installation	15
Accessory Storage Bin	7	Cleaning a Dry Filter	16
Hose Storage	7	Cleaning a Wet Filter	16
Hanging Vac on Storage Rack	8	Cleaning and Disinfecting the Wet/Dry Vac	16
Accessories	10	Power Cord	16
Hose, Extension Wand & Cleaning Tool Storage	10	Warranty	17
Hoses	11	Repair Parts	55
Diffuser Cap Assembly	11	Servicing Double-Insulated Wet/Dry Vacs	55

## IMPORTANT SAFETY INSTRUCTIONS

Safety is a combination of using common sense, staying alert, and knowing how your wet/dry vacuum cleaner ("Vac") works.

### Safety Signal Words

**▲ DANGER:** Indicates a hazardous situation which, if not avoided, will result in death or serious injury.

**▲ WARNING:** Indicates a hazardous situation which, if not avoided, could result in death or serious injury.

**▲ CAUTION:** Indicates a hazardous situation which, if not avoided, could result in minor or moderate injury.

When using your Vac, always follow basic safety precautions including the following:

### ▲ WARNING

**- To reduce the risk of fire, electric shock, or injury:**

- Read and understand this manual and all labels on the Vac before operating.
- Use only as described in this manual.
- Do not leave Vac running while unattended - you may fail to notice important signs indicating abnormal operation such as loss of suction, debris/liquid exiting exhaust, or abnormal motor noises. Immediately stop using Vac if you notice these signs.
- Do not leave Vac when plugged in. Unplug from outlet when not in use and before servicing.
- Sparks inside the motor can ignite flammable vapors or dust. To reduce the risk of fire or explosion, do not use near combustible liquids, gases, or

dusts, such as gasoline or other fuels, lighter fluid, cleaners, oil-based paints, natural gas, coal dust, magnesium dust, grain dust, aluminum dust, or gun powder.

- Do not vacuum anything that is burning or smoking, such as cigarettes, matches, or hot ashes.
- Do not vacuum drywall dust, cold fireplace ash, or other fine dusts with standard filter. These may pass through the filter and be exhausted back into the air. Use a fine dust filter instead.
- To reduce the risk of inhaling toxic vapors, do not vacuum or use near toxic or hazardous materials.
- To reduce the risk of electric shock, do not expose to rain or allow liquid to enter motor compartment. Store indoors.
- This Wet/Dry Vac is not intended for use by persons (including children) with reduced physical, sensory, or mental capabilities, or lack of experience and knowledge, unless they have been given supervision or instruction concerning use of the appliance by a person responsible for their safety.
- Do not allow to be used as a toy. Close attention is necessary when used by or near children.
- Do not use with a torn filter or without filter installed except when vacuuming liquids as described in this manual. Dry debris ingested by the impeller may damage the motor or be exhausted into the air.
- Turn off Vac before unplugging.
- To reduce the risk of injury from accidental starting, unplug power cord before changing or cleaning filter.

- Do not unplug by pulling on cord. To unplug, grasp the plug, not the cord.
- Do not use with damaged cord, plug or other parts. If your Vac is not working as it should, has missing parts, has been dropped, damaged, left outdoors, or dropped into water, call customer service.
- Do not pull or carry by cord, use cord as handle, close a door on cord, or pull cord around sharp edges or corners. Keep cord away from heated surfaces.
- Do not handle plug, switch, or the Vac with wet hands.
- This Vac is double-insulated, eliminating the need for a separate grounding system. Use only identical replacement parts. Read the instructions for Servicing Double-Insulated Wet/Dry Vacs.
- Use only extension cords that are rated for outdoor use. Extension cords in poor condition or too small in wire size can pose fire and shock hazards. To reduce the risk of these hazards, be sure the cord is in good condition and that liquid does not contact the connection. Do not use an extension cord with conductors smaller than 16 gauge (AWG) in size. To reduce power loss, use a 14 gauge extension cord if 25 to 50 ft. long and 12 gauge for 50 ft. or longer
- Do not put any object into ventilation openings. Do not vacuum with any ventilation openings blocked; keep free of dust, lint, hair or anything that may reduce air flow.
- Keep hair, loose clothing, fingers, and all parts of body away from openings and moving parts.
- To reduce the risk of falls, use extra care when cleaning on stairs.
- To reduce the risk of back injury or falls, do not lift a Vac that is heavy with liquid or debris. Partially empty by scooping debris or draining liquid.
- To reduce the risk of personal injury or damage to Vac, use only WORKSHOP recommended accessories.
- Do not mount storage rack over 5 feet from the ground.
- Do not attach screws to drywall only. Make sure screws are attached to studs on 16 inch centers.
- Do not sit or hang on storage rack.
- Do not exceed maximum weight limit of 40 pounds on storage rack.
- When using as a blower:
  - Direct air discharge only at work area.
  - Do not direct air at bystanders.
  - Keep children away when blowing.
  - Do not use blower for any job except blowing dirt and debris.
  - Do not use as a sprayer.
- To reduce the risk of eye injury, wear safety eyewear. The operation of any utility Vac or Blower can result in foreign objects being blown into the eyes, which can result in severe eye damage.

---

**▲ CAUTION:**

- To reduce the risk of hearing damage, wear ear protectors when using for extended time or in a noisy area.
- For dusty operations, wear dust mask.
- Static shocks are common when the relative humidity of the air is low. Vacuuming fine debris with your Vac can deposit static charge on the hose or Vac. To reduce the frequency of static shocks in your home or when using this Vac, add moisture to the air with a humidifier.

---

Observe the following warnings that appear on the motor housing of your Vac:



DOUBLE INSULATED GROUNDING NOT REQUIRED. WHEN SERVICING USE ONLY IDENTICAL REPLACEMENT PARTS.

**▲ WARNING: To reduce the risk of electric shock - do not expose to rain - store indoors.**

**▲ WARNING: For your own safety, read and understand owner's manual. Do not run unattended. Do not pick up hot ashes, coals, toxic, flammable or other hazardous materials. Do not use around explosive liquids or vapors.**

**▲ WARNING:**

**To reduce the risk of fire or electric shock, do not leave Vac plugged in when not in use. Do not leave Vac running while unattended.**

**SAVE THIS MANUAL**

# INTRODUCTION

This Wall Mounted Vac is intended for household use. It may be used for light vacuuming of wet or dry debris and may be used as a blower. The light weight design allows usage for most small household vacuuming chores.

Familiarize yourself with the following product and features and read the entire owner's manual for specific usage of your new Wet/Dry Vac.

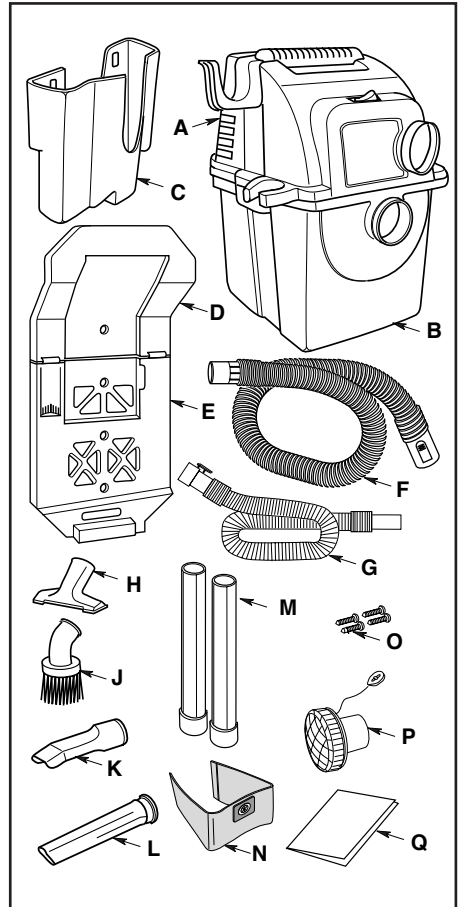
## UNPACKING & CHECKING CARTON CONTENTS

Remove contents of carton. Check each item against the Carton Contents List. Call 1-888-455-8724 or E-mail us at [info@WORKSHOPvac.com](mailto:info@WORKSHOPvac.com) if any parts are damaged or missing.

### Carton Contents List

Key	Description	Qty
A	Vac Motor Assembly	1
B	Vac Canister	1
C	Accessory Storage Bin	1
D†	Storage Upper Rack	1
E†	Storage Lower Rack	1
F	14' Locking Hose	1
G	7' Expandable Locking Hose	1
H	Utility Nozzle	1
J	Dusting Brush	1
K	Car Nozzle	1
L	Crevice Tool	1
M	Extension Wands	2
N	Dust Collection Bag	1
O	#10 x 1-3/4 Wood Screws	4
P	Diffuser	1
Q	Owner's Manual	1

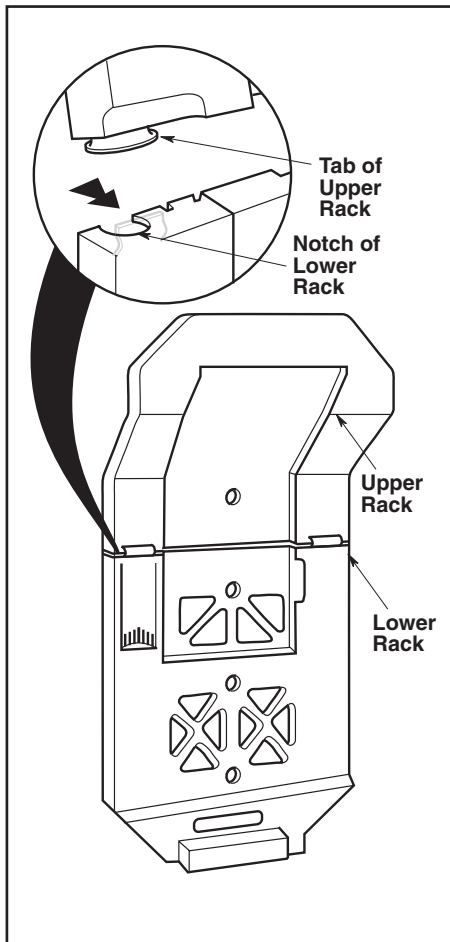
† When assembled, the Storage Rack will hold the maximum weight of 40 pounds.



# STORAGE RACK ASSEMBLY & MOUNTING

## Assembling Upper and Lower Rack

Align the tabs in the upper rack with notches in lower rack. Slide upper rack forward until the hooks on the lower rack engages the bottom flange of the upper rack. You will hear an audible click when the locks engage.

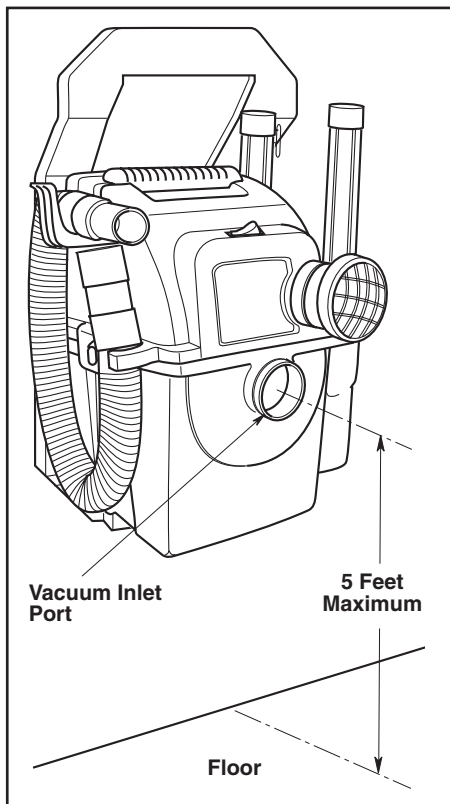


## Mounting Storage Rack to Wall

**⚠ WARNING:** To reduce the risk of injury:

- Do not mount storage rack over 5 feet from the ground.
- Do not attach screws to drywall only.
- Do not sit or hang on storage rack.
- Do not exceed maximum weight limit of 40 pounds on storage rack.

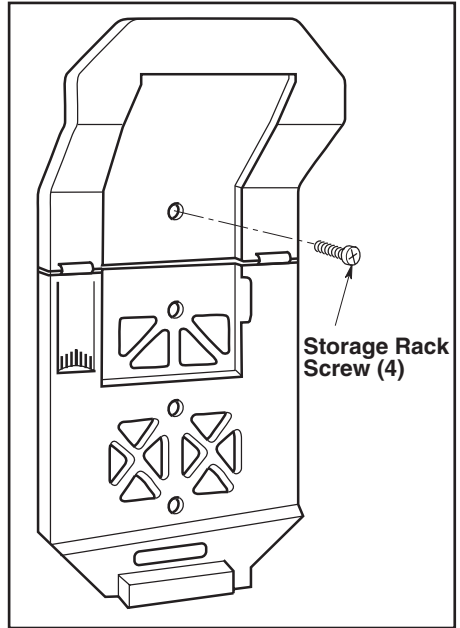
1. Choose a location that is indoors and not exposed to rain. For best performance and easy access, position the storage rack so the center of the vacuum inlet port is no more than five feet from floor and no more than eighteen inches from an electrical outlet.



# STORAGE RACK ASSEMBLY & MOUNTING (continued)

2. Locate wall stud and position the storage rack so that all four screw holes are over the stud. Level the rack and mark the hole locations. Drill a 1/8 inch diameter pilot hole at each location. Attach the storage rack to wall studs using the four screws provided. Make sure all four screws are driven securely into the wall stud.
3. If the desired location does not align with a wall stud or the studs are exposed, a 1/2 inch thick plywood panel wide enough to span at least two studs, must be attached to the studs with the four screws provided. The storage rack may then be attached to the plywood panel with four 1 inch #10 pan or round head wood screws (not provided).

**NOTE:** Supplied wood screws are intended for mounting to typical wall construction consisting of 5/8 inch drywall or less.



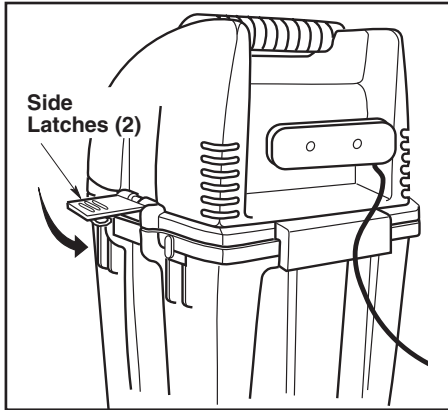
**⚠ CAUTION:** To prevent plywood, Storage Rack, or Wet/Dry Vac from falling, make sure you have selected the proper length of fastener for the secure mounting of storage rack to the wall.

**⚠ WARNING:** To reduce the risk of fire or electric shock, do not leave Vac plugged in when not in use. Do not leave Vac running while unattended.

# WALL MOUNTED VAC ASSEMBLY

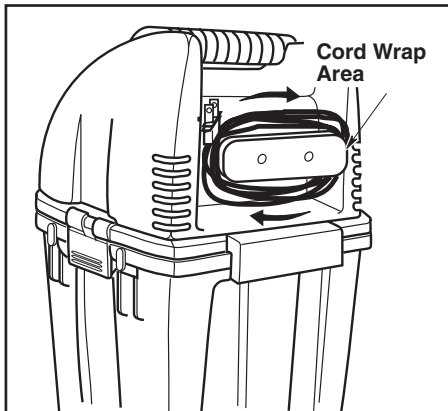
## Vac Assembly

Place Vac motor assembly onto Vac canister assembly and secure with the two side latches.



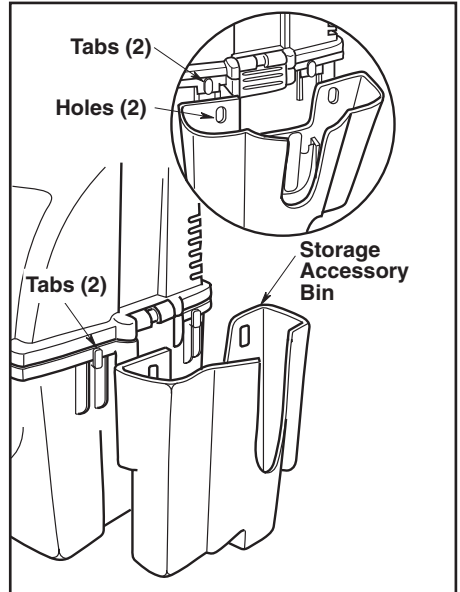
## Cord Wrap Storage

Wind the electrical cord clockwise (from the rear) around the cord wrap area on back of Vac motor assembly.



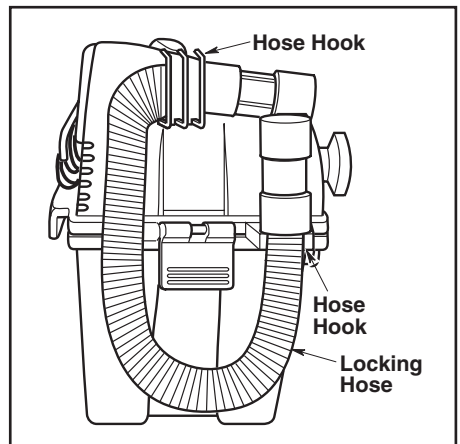
## Accessory Storage Bin

Attach the Accessory Storage Bin to the Vac assembly by inserting the tabs on the Vac canister through the holes in the storage bin and lowering the bin into place.



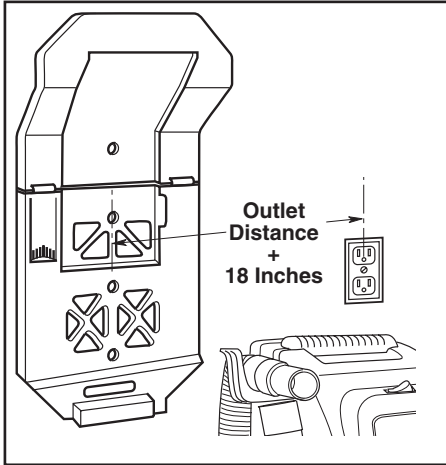
## Hose Storage

Slide each end of the Locking Hose into the appropriate hose hooks located on the Vac motor assembly.

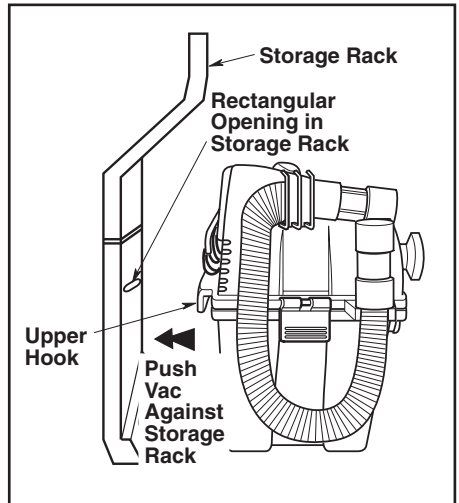
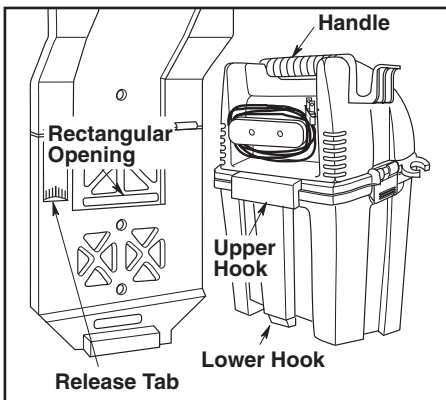


# HANGING VAC ON STORAGE RACK

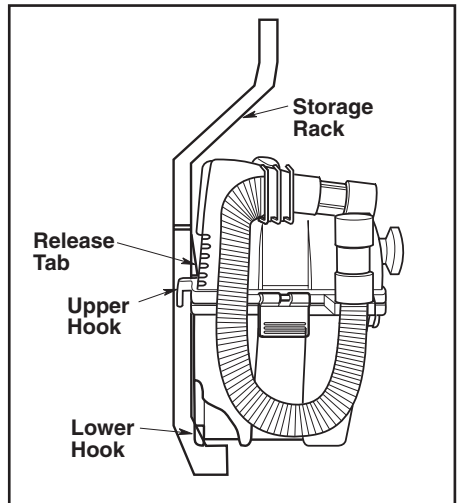
1. Set the Vac on the floor near the storage rack. Measure the distance from center of storage rack to the closest electrical outlet and add 18 inches.



2. Uncoil that amount of power cord from the cord wrap. Drape the loose cord over the top of the vacuum and down the front.
3. Grasp the handle with one hand and the bottom of the Vac canister at the front with the other hand. Always lift the Vac with both hands. Lift the Vac up to the storage rack.
4. Align the upper hook on the Vac with the rectangular opening in the storage rack. Push the Vac against the storage rack.



5. Lower the Vac until the upper hook and lower hook are engaged and the bottom of the Vac canister rests on the rack. The release tab will pop out over the flange on the motor assembly.



6. Snap the power cord into the cord retainer in the front surface of the rack. The cord may exit on either the left or right side. Plug the power cord into the electrical outlet. Do not fasten power cord to wall in any way.



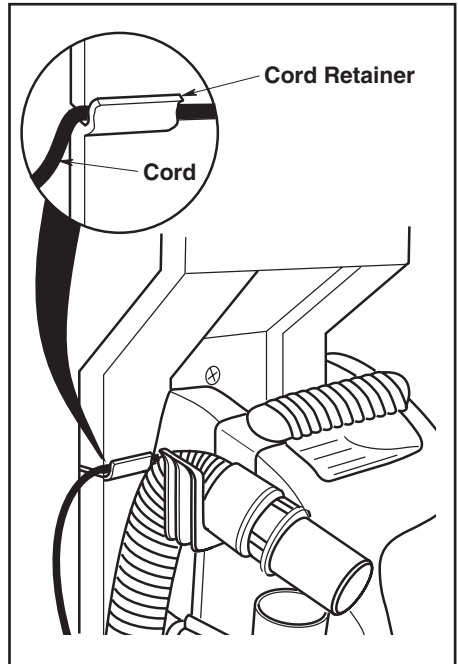
# HANGING VAC ON STORAGE RACK (continued)

## Cord Storage

When your Wall Mounted Wet/Dry Vac is not in use, it should be unplugged from the outlet. Excess cord should be wrapped over the hose storage rack. Several loops may be required to eliminate any tripping hazard created by a loosely hanging cord.

## Removing Vac from Storage Rack

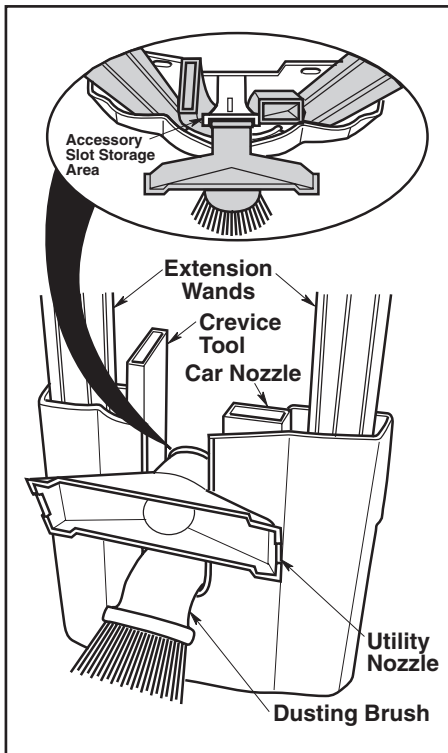
1. Unplug the power cord from the electrical outlet. Remove the cord from the cord retainer. Drape the loose cord over the top of the Vac.
2. With your right hand, grasp the carry handle.
3. With your left hand depress the release tab located on the left side of the storage rack.
4. Lift up on the handle, and pull the Vac up and out of the storage rack.



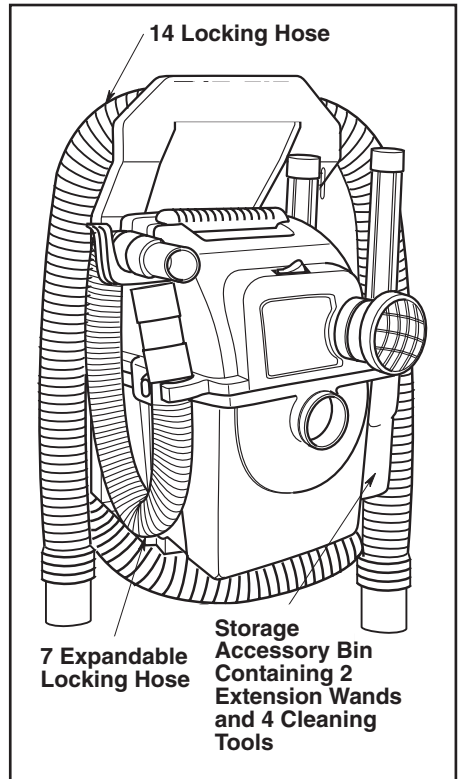
# ACCESSORIES

## Hose, Extension Wand, and Cleaning Tool Storage

1. Slide the extension wands at the far sides of the Accessory Storage Bin located on the right side of the Wall Mounted Vac. Slide the car nozzle and the crevice tool next to the extension wands in the storage bin. Position the dusting brush horizontal and slide it into the storage bin's accessory slot. It is necessary to place the dusting brush into the accessory slot first, as the utility nozzle will not fit in this position. Last, place the utility nozzle flush against the accessory slot storage area and slide down into storage position. The storage bin accommodates both extension wands and the four cleaning tools.



2. Insert the 7 foot Expandable Locking Hose ends into the hooks on the left side of the Wall Mounted Vac, as shown below.
3. Form a double loop with the 14 foot Locking Hose and hang on hose storage hook at the top of the rack.



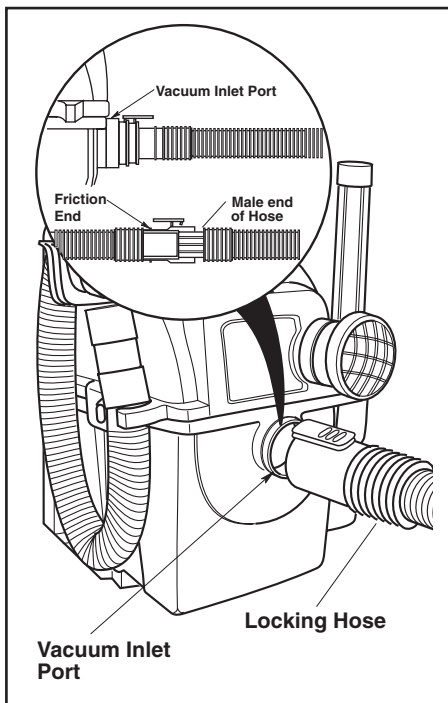
# ACCESSORIES (continued)

## Hoses (14 Foot Locking Hose & 7 Foot Expandable Locking Hose)

The 14 Foot Locking Hose and the 7 Foot Expandable Locking Hose have an adaptor that can be used to connect the hose to the vacuum port on the Vac or to the male end of another hose. Both 7 foot and 14 foot hoses can be used connected together or independently from one another.

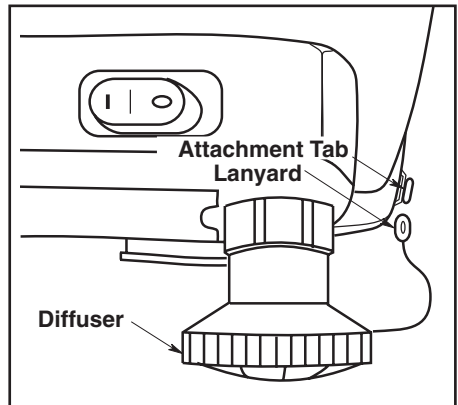
Both the 7 foot and 14 foot hoses have a locking adaptor at one end that will connect to the Vac, and a friction fit at the other end, which will connect to all the 1-7/8 inch accessories or a second hose.

To connect these two hoses together, first connect the 14 foot hose to the Wet/Dry Vac. Next connect the 7 foot hose to the 14 foot hose by inserting the friction end of the longer hose into the larger locking end of the shorter hose. This will create a friction connection.



## Diffuser Cap Assembly

Connect the lanyard to the attachment tab on the Vac motor assembly to keep the diffuser attached to Vac when using the blower port. The diffuser cap can be used in the exhaust port of the Wet/Dry Vac. Installing the diffuser cap will allow you to diffuse the exhaust air in any direction and reduce the intensity of the exhaust force.



# OPERATION

**▲ WARNING:** To reduce the risk of fire, explosion, or damage to Vac:

- Do not leave Vac running while unattended - you may fail to notice important signs indicating abnormal operation such as loss of suction, debris/liquid exiting the exhaust, or abnormal motor noises. Immediately stop using Vac if you notice these signs.
- Do not leave Vac plugged in when not in use.
- Do not continue running when float has cut off suction.
- Sparks inside the motor can ignite airborne flammables. Do not operate Vac near flammable liquids or in areas with flammable gases, vapors, or explosive/airborne dust. Flammable liquids, gases, and vapors include: lighter fluid, solvent-type cleaners, oil-based paints, gasoline, alcohol, and aerosol sprays. Explosive dusts include: coal, magnesium, aluminum, grain, and gun powder.
- Do not vacuum up explosive dusts, flammable liquids, or hot ashes.

**▲ WARNING:** To reduce the risk of electric shock or injury:

- Do not expose to rain or allow liquid to enter motor compartment. Store indoors.
- Do not handle plug, switch, or Vac with wet hands.
- Unplug Vac before servicing. If your Vac is not working as it should, has missing parts, has been dropped, damaged, left outdoors, or dropped into water, return it to an independent service center or call customer service.
- When using an extension cord, use only outdoor-rated cords that are in good condition. Do not allow the connection to come into contact with liquid.

To reduce the risk of electric shock, this Vac has a polarized plug (one blade is wider than the other). This plug will fit in a polarized outlet only one way. If the plug does not fit fully in the outlet, reverse the plug. If it still does not fit, contact a qualified electrician to install the proper outlet. Do not change the plug in any way.

After you plug the power cord into the outlet, turn the unit on by pushing the switch from position "O" to position "I". The symbols used on the switch actuator are international "On & Off" symbols.

 = OFF      | = ON

# OPERATION (continued)

## Emptying the Vac Canister

**▲ WARNING: To reduce the risk of injury from accidental starting, unplug power cord before emptying the Vac canister.**

1. With the vacuum removed from the storage rack (see Removing Vac from Storage Rack section), remove the Vac motor assembly from the Vac canister assembly.
2. Lay Vac motor assembly upside down on a clean area while emptying Vac canister.
3. Dump the Vac canister contents into the proper waste disposal container.

## Blowing Feature

Your Wet/Dry Vac has the capability to be used as a blower for yard work, patio cleanup and workshop applications to blow sawdust and other debris.

**▲ WARNING: Always wear safety eyewear complying with ANSI Z87.1 (or in Canada, CSA Z94.3) before using as a Blower.**

**▲ WARNING: To reduce the risk of injury to bystanders, keep them clear of blowing debris.**

**▲ CAUTION: Wear a dust mask if blowing creates dust which might be inhaled.**

**▲ CAUTION: To reduce the risk of hearing damage, wear ear protectors when using the Vac/Blower for extended hours or when using in a noisy area.**

1. Locate blowing port of your Vac.
2. Insert the locking end of hose into the blowing port of the Vac.
3. (Optional) Attach extension wand to swivel end of hose, then place the car nozzle on the wand.
4. Turn Vac on and you are ready to use your Vac as a blower.

# OPERATION (continued)

## Choosing the Correct Filter

**▲ WARNING: To reduce the risk of damage to the Vacuum, do not run motor with float in raised position. A cartridge filter should be present, and in the correct position during all vacuuming operations to avoid debris leaks and possible damage to the vacuum motor.**

There are a variety of Filters available for WORKSHOP® Wet/Dry vacuums. The Filters you choose should depend upon the task you are performing. Not all available Filters are included with each model, but they may be purchased as needed from retailers carrying WORKSHOP Wet/Dry vacuums or from [www.WORKSHOPvac.com](http://www.WORKSHOPvac.com).

### The Available Filters Include:

1. Pleated Paper Cartridge Filters
    - a. The available Pleated Paper Cartridge Filters include catalog numbers WS21200F (Everyday Dirt), WS22200F (Fine Dust), and WS23200F (HEPA Media).
    - b. Each of these Pleated Paper Cartridge Filters are intended for cleaning up dry debris, however, a small amount of liquid can be picked up without damaging the Filter. When maintained properly, small amounts of liquid will not cause damage to the Filter. When picking up larger amounts of liquid, the Pleated Paper Cartridge Filter will become saturated, misting may appear in the vacuum's exhaust, and the Filter may be damaged. After using the Vac to pick up small amounts of liquid, the Pleated Paper Cartridge Filter must be dried to avoid mildew and damage.
  2. Wet Application Cartridge Filter
    - a. The available Wet Application Cartridge Filter is catalog number WS24200F.
    - b. This Wet Application Cartridge Filter is intended for cleaning up liquids and wet debris only. It is NOT to be used for any dry debris.
    - c. To maintain Filter performance, rinse thoroughly with water after each use.
    - d. See "Filter Removal and Installation" section for directions on how to change the Wet Application Cartridge Filter.
  3. Dust Collection Bags
    - a. The available Dust Collection Bag is catalog number WS32090F.
    - b. The Dust Collection Bag is intended for cleaning up dry debris ONLY.
    - c. If the debris being picked up has any moisture, the bag will absorb the moisture and may deteriorate very quickly, making the bag nonfunctional.
    - d. If you are using your vacuum to pick up fine dust, the Dust Collection Bag will make cleanup easier.
- NOTE:** Dust Collection Bag MUST be used in conjunction with a Pleated Paper Cartridge Filter.
- c. If you are using your vacuum to pick up very fine dust, it will be necessary for you to empty the drum and clean the Filter at more frequent intervals to maintain peak vacuum performance.
  - d. See "Filter Removal and Installation" section for directions on how to change the Pleated Paper Cartridge Filter.
- e. Directions for Installation and Removal of Dust Collection Bags are printed on the bags.

# MAINTENANCE

## Filter

**⚠ WARNING:** Do not operate without filter cage and float, as they prevent liquid from entering the impeller and damaging the motor. For dry material pick-up, do not operate without the filter in place to reduce the risk of damage to the motor.

## Filter Removal and Installation

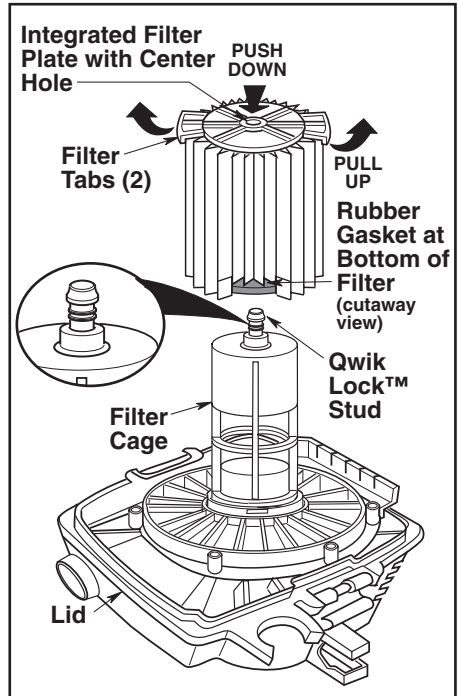
### Filter Removal:

1. Hold the filter tabs of the Qwik Lock™ filter in each hand.
2. With one thumb on the Qwik Lock™ stud, which protrudes through the integrated filter plate, lift up on the filter tabs while pushing down on the stud.
3. This action will cause the filter to release from the filter cage. Slide filter off cage.

### Filter Installation:

1. Carefully slide the Qwik Lock™ filter over the filter cage and press down on the outside edge of the filter until the rubber gasket on the bottom of the filter seats securely around the base of the filter cage and against the lid.
2. Align the small center hole in the top of the filter over the Qwik Lock™ stud on the filter cage. Press firmly on top of the filter near the stud to allow the filter to snap over the ball on the end of the stud. The filter is now attached.

**NOTE:** Failure to properly seat the bottom gasket could result in debris bypassing the filter.



**NOTE:** This filter is made of high quality paper designed to stop very small particles of dust. The filter can be used for wet or dry pick up. Handle the filter carefully when removing to clean or installing it. Creases in the filter pleats may occur from installation but creases will not affect the performance of the filter.

# MAINTENANCE (continued)

## Cleaning A Dry Filter

**NOTE:** For best cleaning results due to accumulated dust, clean the filter in an open area. Cleaning **SHOULD** be done outdoors and not in the living quarters.

1. Light cleaning of some dry debris from the filter can be accomplished without removing the filter from the Vac. Simply slap your hand on top of the handle while the Vac is turned off.
2. Remove filter from Vac. Gently tap the filter against the inside wall of your dust drum and the debris will loosen and fall.
3. For thorough cleaning of a dry filter with fine dust (no debris) you may run water through it as described under "Cleaning A Wet Filter" Section.

## Cleaning A Wet Filter

After filter is removed, run water through the filter from a hose or faucet. take care that the water pressure is not too strong to damage the filter. Allow filter to dry before use or storage.

## Cleaning and Disinfecting the Wet/Dry Vac

To keep your Wet/Dry Vac looking its best, clean the outside with a cloth dampened with warm water and mild soap.

To clean the drum:

1. Dump debris out.
2. Wash drum thoroughly with warm water and mild soap.
3. Wipe out with dry cloth.

Before prolonged storage or as needed (i.e.; waste water pick up) the drum should be disinfected.

To disinfect the drum:

1. Pour 1 gallon of water and 1 teaspoon chlorine bleach into the drum.
2. Let solution stand for 20 minutes, carefully swishing every few minutes, making sure to wet all inside surfaces of the drum.
3. Empty drum after 20 minutes. Rinse with water until bleach smell is gone. Allow drum to dry completely before sealing the motor on the drum.
4. After use, the Wall Mounted Wet/Dry Vac may be stored on the wall bracket as described on page 8.

## Power Cord

When your Wall Mounted Wet/Dry Vac is not in use, it should be unplugged from the outlet. Excess cord should be wrapped over the hose storage rack.

If the power cord is damaged, it must be replaced by the manufacturer or their service agent or by similarly qualified personnel to reduce the risk of accident.

**▲ WARNING: To assure product SAFETY and RELIABILITY, any other maintenance, repairs or adjustments should be performed by Independent Service Centers, always using WORKSHOP replacement parts.**



# WORKSHOP® LIMITED WARRANTY

This limited warranty is offered by Emerson Tool Company, a division of Emerson Electric Co., located at the address below (“ETC” or “we” or “our” or “us”) and applies to our WORKSHOP-branded Wet/Dry Vacuums (collectively, the “WORKSHOP® Product”).

If you have any questions or need assistance regarding the warranty of your WORKSHOP Product, please contact ETC's WORKSHOP Product Customer Service Department at the toll free number or at the address provided below.

## WORKSHOP® Limited Warranty

ETC, located at 8100 W Florissant Ave, St. Louis, MO 63136 provides the following limited warranty to the original purchaser only (“you” or “your”) subject to the exclusions described below: Your WORKSHOP Product will be free from defects in material and workmanship when used under normal conditions in accordance with the terms of the Owner's Manual provided to you with the WORKSHOP Product for a period of five (5) years beginning on the original date of purchase (the “Warranty Period”). This limited warranty terminates if the original purchaser transfers the WORKSHOP Product to any other person or entity.

## What is Not Covered - Warranty Exclusions

This limited warranty does not extend to and expressly excludes:

- Normal wear and tear and/or replacement attachments or accessories, including, without limitation, power cords, hoses, filters, and other attachments or accessories that may be offered for sale by us for use with the WORKSHOP Product.
- Damage or burnout of the WORKSHOP Product motor resulting from failure to clear a blockage occurring during the normal course of use.
- Loss or damage to the WORKSHOP Product resulting from conditions beyond ETC's control including without limitation, misuse, accident, abuse, neglect, negligence (other than ETC's), overuse beyond intended capacity as set forth in the Owner's Manual, or modifications or alterations made by anyone other than ETC.
- Loss or damage to the WORKSHOP Product resulting from failure to use the WORKSHOP Product in accordance with the written instructions, guidelines, and terms and conditions set forth in the Owner's Manual.

## Limited Warranty Notification and Claim Procedures

If you discover within the Warranty Period applicable to you that your WORKSHOP Product has a defect that you believe is covered by this limited warranty, you must contact ETC's WORKSHOP Product Customer Service Department at (888) 455-8724 between the hours of 8:30 a.m. and 4:30 p.m. Central Time. Alternatively, you may contact ETC's WORKSHOP Product Customer Service Department at the email address listed in your Owner's Manual or on the WORKSHOP Product page of the ETC website.

In order for your warranty claim to be processed as quickly as possible, we suggest that you complete the “Registration Card” made available to you on the WORKSHOP Product page of the ETC website at [www.WORKSHOPvac.com](http://www.WORKSHOPvac.com). If you do not choose to register your WORKSHOP Product, in order to make a warranty claim, you will need to provide us with a copy of your sales receipt or other proof of purchase showing the purchase date to confirm that your claim is within the Warranty Period and that you are the original purchaser.

# WORKSHOP® LIMITED WARRANTY

## What We Will Do to Correct Problems

After you have contacted ETC's WORKSHOP Product Customer Service Department pursuant to the above procedures, ETC will initiate warranty proceedings, including a physical inspection, subject to the exclusions and the Warranty Period stated herein, to determine whether to repair or replace the WORKSHOP Product or provide you with a refund.

The decision to repair or replace your WORKSHOP Product or to provide a refund is at our sole discretion. Repair or replacements provided to you by ETC are at no cost to you if covered under this limited warranty. Coverage under this limited warranty is conditioned at all times upon the original purchaser's compliance with the above limited warranty notification and claim procedures. If your claim is covered under this limited warranty, we will, at our sole option, (a) repair or replace the defective portion of your WORKSHOP Product or (b) replace your entire WORKSHOP Product. If we are unable to provide you with a suitable repaired or replacement WORKSHOP Product, we will provide you with a refund equal to the purchase price of your WORKSHOP Product or a credit to be used toward the purchase of a new WORKSHOP Product.

## No Other Express Warranty Applies

THE LIMITED WARRANTIES PROVIDED ABOVE ARE THE SOLE AND EXCLUSIVE WARRANTIES PROVIDED BY ETC TO THE ORIGINAL PURCHASER OF THE WORKSHOP PRODUCT, AND ARE IN LIEU OF ALL OTHER WARRANTIES, WRITTEN OR ORAL, EXPRESS OR IMPLIED, WHETHER ARISING BY OPERATION OF LAW OR OTHERWISE, INCLUDING, WITHOUT LIMITATION, WARRANTIES OF MERCHANTABILITY OR FITNESS FOR A PARTICULAR PURPOSE, WHETHER OR NOT THE PURPOSE HAS BEEN DISCLOSED AND WHETHER OR NOT THE WORKSHOP PRODUCT HAS BEEN SPECIFICALLY DESIGNED OR MANUFACTURED FOR YOUR USE OR PURPOSE. DISCLAIMERS OF IMPLIED WARRANTIES, INCLUDING WITHOUT LIMITATION, IMPLIED WARRANTIES OF MERCHANTABILITY AND FITNESS FOR A PARTICULAR PURPOSE, SHALL NOT TAKE EFFECT UNTIL THE END OF THE WARRANTY PERIOD. No employee, agent, dealer, or other person is authorized to alter this limited warranty or make any other warranty on behalf of ETC. The terms of this limited warranty shall not be modified by ETC, the original owner, or their respective successors or assigns.

## Limitation of Liability

TO THE EXTENT PERMITTED BY LAW, IN NO EVENT SHALL ETC BE LIABLE FOR ANY INCIDENTAL, SPECIAL, INDIRECT, OR CONSEQUENTIAL DAMAGES, INCLUDING ANY ECONOMIC LOSS, WHETHER RESULTING FROM NONPERFORMANCE, USE, MISUSE OR INABILITY TO USE THE WORKSHOP PRODUCT OR FOR THE NEGLIGENCE OF ETC. ETC SHALL NOT BE LIABLE FOR DAMAGES CAUSED BY DELAY IN PERFORMANCE AND IN NO EVENT, REGARDLESS OF THE FORM OF THE CLAIM OR CAUSE OF ACTION (WHETHER BASED IN CONTRACT, INFRINGEMENT, NEGLIGENCE, STRICT LIABILITY, OTHER TORT OR OTHERWISE), SHALL ETC'S LIABILITY TO YOU OR ANY INDIVIDUAL USING THE WORKSHOP PRODUCT EXCEED THE PRICE PAID BY THE ORIGINAL OWNER FOR THE WORKSHOP PRODUCT. The term "consequential damages" shall include, but not be limited to, loss of anticipated profits, business interruption, loss of use or revenue, cost of capital or loss or damage to property or equipment.

Some states do not allow the exclusion or limitation of incidental or consequential damages, so the above limitation may not apply to you.

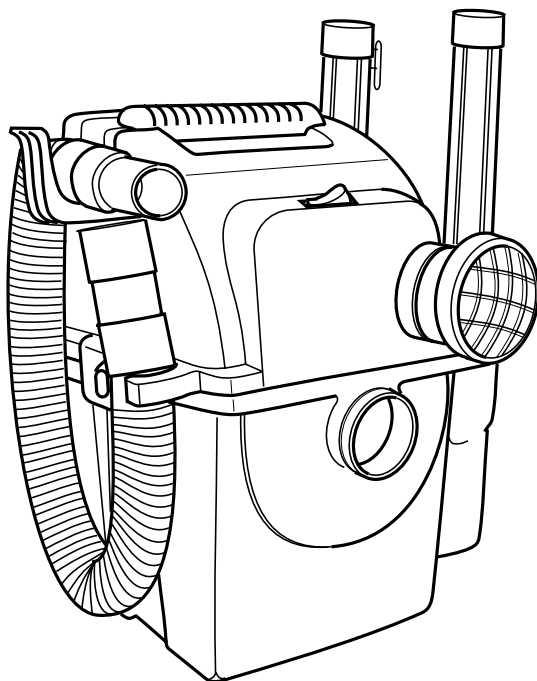
This limited warranty gives you specific legal rights, and you may also have other rights which vary from State to State.

# WORKSHOP<sup>®</sup> MD

## WET/DRY VACS

### MANUAL DEL USUARIO

- Aspiradora para mojado/seco montada en la pared
- 5 galones EE.UU. / 18 litros
- WS0500WMO/  
WS0500WM



¿PREGUNTAS O COMENTARIOS? COMUNÍQUESE CON NOSOTROS EN:  
1-888-455-8724 desde los EE.UU. y Canadá  
[www.WORKSHOPvacs.com](http://www.WORKSHOPvacs.com)

**⚠ ADVERTENCIA:**

Para reducir el riesgo de lesiones, el usuario debe leer y entender el manual del usuario antes de utilizar este producto.

- Français - page 37

**GUARDE ESTE MANUAL PARA REFERENCIA FUTURA**

Sección	Página	Sección	Página
Instrucciones de seguridad importantes	20	Funcionamiento	30
Introducción	22	Vaciado del recipiente de la aspiradora	31
Desempaquetado y comprobación		Dispositivo de soplado	31
del contenido de la caja de cartón	22	Selección del filtro correcto	32
Ensamblaje y montaje del bastidor de almacenamiento	23	Mantenimiento	33
Ensamblaje de la aspiradora montada en la pared	25	Filtro	33
Ensamblaje de la aspiradora	25	Remoción e instalación del filtro	33
Almacenamiento en el enrollador del cordón	25	Limpieza de un filtro seco	34
Recipiente de almacenamiento de accesorios	25	Limpieza de un filtro mojado	34
Almacenamiento de las mangueras	25	Limpieza y desinfección de la aspiradora	
Suspensión de la aspiradora en el bastidor		para mojado/seco	34
de almacenamiento	26	Cordón de energía	34
Accesorios	28	Garantía	35
Almacenamiento de las mangueras, los tubos		Piezas de repuesto	55
extensores y las herramientas limpiadoras	28	Servicio de ajustes y reparaciones de	
Mangueras	29	una aspiradora para mojado/seco	
Ensamblaje de la tapa del difusor	29	con aislamiento doble	55

## INSTRUCCIONES DE SEGURIDAD IMPORTANTES

La seguridad es una combinación de sentido común, permanecer alerta y saber cómo funciona la aspiradora para mojado/seco ("la aspiradora").

### Palabras de señal de seguridad

**▲ PELIGRO:** indica una situación peligrosa que, si no se evita, causará la muerte o lesiones graves.

**▲ ADVERTENCIA:** indica una situación peligrosa que, si no se evita, podría causar la muerte o lesiones graves.

**▲ PRECAUCIÓN:** indica una situación peligrosa que, si no se evita, pudiera causar lesiones leves o moderadas

Cuando utilice la aspiradora, siga siempre las precauciones básicas de seguridad, incluyendo las siguientes:

### ▲ ADVERTENCIA

– Para reducir el riesgo de incendio, sacudidas eléctricas o lesiones:

- Lea y entienda este manual del usuario y todas las etiquetas que están colocadas en la aspiradora para mojado/seco antes de utilizarla.
- Utilice la aspiradora únicamente de la manera que se describe en este manual.
- No deje la aspiradora en marcha mientras esté desatendida. Usted podría no notar señales importantes que indiquen un funcionamiento anormal, tal como pérdida de succión, residuos o líquido que salen por el escape o ruidos anormales del motor. Deje de usar la aspiradora inmediatamente si observa estas señales.
- No abandone la aspiradora cuando esté enchufada. Desenchúfela del tomacorriente cuando no la esté utilizando y antes de realizar servicio de revisión.
- Las chispas que se producen en el interior del motor pueden encender los vapores inflamables o el polvo. Para reducir el riesgo de incendio o explosión: No use la aspiradora cerca de líquidos, gases, o polvos combustibles como gasolina u otros combustibles, líquido encendedor,

limpiadores, pinturas a base de aceite, gas natural, hidrógeno, polvo de carbón, polvo de magnesio, polvo de aluminio, polvo de granos de cereal o pólvera.

- No recoja con la aspiradora nada que esté ardiendo o humeando, como cigarrillos, fósforos o cenizas calientes.
- No recoja con la aspiradora polvo de panel de yeso ni hollín frío o ceniza fría de chimenea con un filtro estándar. Estos materiales pueden pasar por el filtro y ser expulsados de vuelta al aire. Utilice un filtro para polvo fino en lugar de un filtro estándar.
- Para reducir el riesgo de inhalar vapores tóxicos, no recoja con la aspiradora materiales tóxicos o peligrosos ni la use cerca de dichos materiales.
- Para reducir el riesgo de descargas eléctricas, no exponga la aspiradora a la lluvia ni deje que entren líquidos en el compartimiento del motor. Guarde la aspiradora en un lugar interior.
- Esta aspiradora mojado/seco no se destina para utilizarse por personas (incluyendo niños) cuyas capacidades físicas, sensoriales o mentales sean diferentes o estén reducidas, o carezcan de experiencia o conocimiento, a menos que dichas personas reciban una supervisión o capacitación para el funcionamiento del aparato por una persona responsable de su seguridad.
- No permita que la aspiradora se utilice como un juguete. Se necesita prestar máxima atención cuando sea utilizada por niños o cerca de éstos.
- No use la aspiradora con un filtro desgarrado o sin tener el filtro instalado, excepto cuando recoja con ella líquidos de la manera que se describe en este manual. Los residuos secos absorbidos por el impulsor podrían dañar el motor o ser expulsados de vuelta al aire.
- Apague la aspiradora antes de desenchufarla.
- Para reducir el riesgo de lesiones debidas a un arranque accidental, desenchufe el cordón de energía antes de cambiar o limpiar el filtro.
- No desenchufe la aspiradora tirando del cordón. Para desenchufarla, agarre el enchufe y no el cordón.
- No use la aspiradora con el cordón dañado, el enchufe dañado u otras piezas dañadas. Si la aspira-

- dora no funciona como debe, le faltan piezas, se ha caído, ha sido dañada, se ha dejado a la intemperie o se ha caído al agua, llame a servicio al cliente.
- No tire de la aspiradora usando el cordón ni la lleve por el cordón, ni use el cordón como asa, ni cierre una puerta sobre el cordón, ni tire del cordón alrededor de bordes o esquinas afilados. No pase la aspiradora en marcha sobre el cordón. Mantenga el cordón alejado de las superficies calientes.
  - No maneje el enchufe, el interruptor o la aspiradora con las manos mojadas.
  - Esta aspiradora tiene aislamiento doble, lo cual elimina la necesidad de un sistema independiente de conexión a tierra. Utilice únicamente piezas de repuesto idénticas. Lea las instrucciones de servicio de revisión de las aspiradoras para mojado/seco con aislamiento doble.
  - Utilice únicamente cordones de extensión que tengan capacidad nominal para uso a la intemperie. Los cordones de extensión que estén en malas condiciones o tengan un tamaño de alambre demasiado pequeño pueden crear peligros de incendio y descargas eléctricas. Para reducir el riesgo de estos peligros, asegúrese de que el cordón esté en buenas condiciones y que el líquido no entre en contacto con la conexión. No utilice un cordón de extensión que tenga conductores con un diámetro menor al calibre 16 (AWG). Para reducir la pérdida de potencia, utilice un cordón de extensión de calibre 14 si la longitud es de 25 a 50 pies, y de calibre 12 si la longitud es de 50 pies o más.
  - No ponga ningún objeto en las aberturas de ventilación. No recoja nada con la aspiradora cuando cualquiera de las aberturas de ventilación esté bloqueada; mantenga dichas aberturas libres de polvo, pelusa, pelo o cualquier cosa que pueda reducir el flujo de aire.
  - Mantenga el pelo, la ropa holgada, los dedos y todas las partes del cuerpo alejados de las aberturas y de las piezas móviles.
  - Para reducir el riesgo de caídas, tenga cuidado adicional al limpiar en escaleras.
  - Para reducir el riesgo de lesiones de espalda o caídas, no levante una aspiradora que pese mucho debido a que contiene líquido o residuos. Saque parte del contenido de la aspiradora o drénela parcialmente.
  - Para reducir el riesgo de lesiones corporales o daños a la aspiradora, utilice únicamente accesorios recomendados por WORKSHOP.
  - No monte el bastidor de almacenamiento a más de 5 pies por encima del piso.
  - No sujete los tornillos a pared de tipo seco solamente. Asegúrese de que los tornillos estén sujetos a postes de pared en centros a 16 pulgadas.
  - No se siente en el bastidor de almacenamiento ni se cuelgue de él.
  - No exceda el límite de peso máximo de 40 libras en el bastidor.
  - Cuando utilice la aspiradora como soplador :
    - Dirija la descarga de aire solamente hacia el área de trabajo.
    - No dirija el aire hacia las personas que estén presentes.

- Mantenga alejados a los niños durante la operación de soplado.
- No utilice el soplador para trabajos que no sean soplar suciedad y residuos.
- No use la aspiradora como rociador.
- Para reducir el riesgo de lesiones en los ojos, use protección ocular de seguridad. La utilización de cualquier aspiradora utilitaria o soplador utilitario puede hacer que se soplen objetos extraños hacia los ojos, lo cual puede causar daños graves en los ojos.

#### **⚠ PRECAUCIÓN:**

- Para reducir el riesgo de daños a la audición, use protectores de oídos cuando utilice la aspiradora durante muchas horas seguidas o cuando la emplee en un área ruidosa.
- Para operaciones que generen polvo, use una máscara antipolvo.
- Las descargas de estática son comunes cuando la humedad relativa del aire es baja. Si recoge residuos finos con la aspiradora, se puede depositar carga estática en la manguera o en la aspiradora. El mejor remedio para reducir la frecuencia de las descargas de estática en su casa o cuando use esta aspiradora es añadir humedad al aire con un humidificador.

Siga las siguientes advertencias que aparecen en la caja del motor de la aspiradora.



**AISLAMIENTO DOBLE. NO SE REQUIERE CONEXION A TIERRA.**

**CUANDO HAGA SERVICIO DE REVISIÓN DE LA ASPIRADORA, UTILICE ÚNICAMENTE PIEZAS DE REPUESTO IDÉNTICAS.**

**⚠ ADVERTENCIA: Para reducir el riesgo de sacudidas eléctricas, no exponga la aspiradora a la lluvia y almacénela en interiores.**

**⚠ ADVERTENCIA: Para su propia seguridad, lea y entienda el manual del operador. No tenga en marcha la aspiradora desatendida. No recoja cenizas calientes, carbón caliente, materiales tóxicos ni inflamables ni otros materiales peligrosos. No use la aspiradora alrededor de líquidos o vapores explosivos.**

#### **⚠ ADVERTENCIA:**

**Para reducir el riesgo de incendio o descarga eléctrica, no deje enchufada la aspiradora cuando no esté en uso. No deje en marcha la aspiradora mientras esté desatendida.**

# GUARDE ESTE MANUAL

# INTRODUCCIÓN

Esta aspiradora montada en la pared está diseñada para uso doméstico solamente. Se puede utilizar para la recogida ligera de medios mojados o secos y también puede utilizarse como soplador. El diseño liviano permite la utilización para realizar la mayoría de las tareas domésticas de aspiración

pequeñas. Familiarícese con las siguientes características del producto y lea todo el manual del usuario para obtener instrucciones sobre la utilización específica de su nueva aspiradora para mojado/seco.

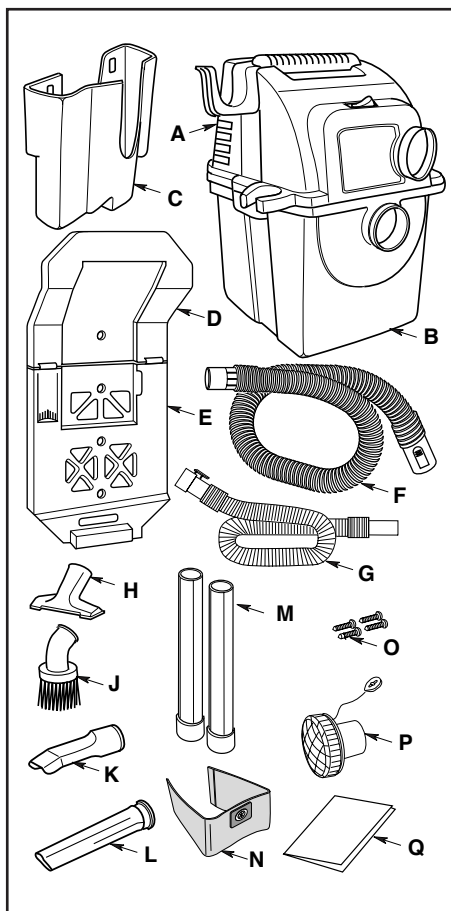
## DESEMPAQUETADO Y COMPROBACIÓN DEL CONTENIDO DE LA CAJA DE CARTÓN

Saque todo el contenido de la caja de cartón. Asegúrese de que no falte ningún artículo utilizando la lista del contenido de la caja. Llame al 1-888-455-8724 o envíenos un correo electrónico a [info@WORKSHOPvac.com](mailto:info@WORKSHOPvac.com) si alguna pieza está dañada o falta.

### Lista del contenido de la caja de cartón

A	Ensamblaje del motor de la aspiradora	1
B	Recipiente de la aspiradora	1
C	Receptáculo de almacenamiento de portaaccesorios	1
D†	Bastidor superior de almacenamiento	1
E†	Bastidor inferior de almacenamiento	1
F	Manguera de fijación de 14 pies	1
G	Manguera de fijación expansible de 7 pies	1
H	Boquilla utilitaria	1
J	Cepillo para polvo	1
K	Boquilla para auto	1
L	Boquilla rinconera	1
M	Tubos extensores	2
N	Bolsa de recolección de polvo	1
O	Tornillos para madera No. 10 x 1-3/4	4
P	Difusor	1
Q	Manual del usuario	1

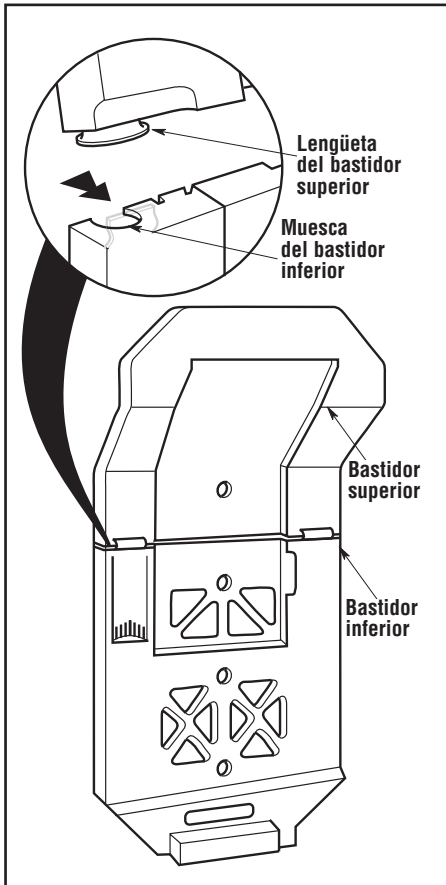
† Cuando esté ensamblado, el bastidor de almacenamiento soportará el peso máximo de 40 libras.



# ENSAMBLAJE Y MONTAJE DEL BASTIDOR DE ALMACENAMIENTO

## Ensamblaje del bastidor superior e inferior

Alinee las lengüetas del bastidor superior con las muescas del bastidor inferior. Deslice el bastidor superior hacia delante hasta que los ganchos ubicados en el bastidor inferior se acoplen en la pestaña inferior del bastidor superior. Usted oír un clic audible cuando los cierres se acoplen.

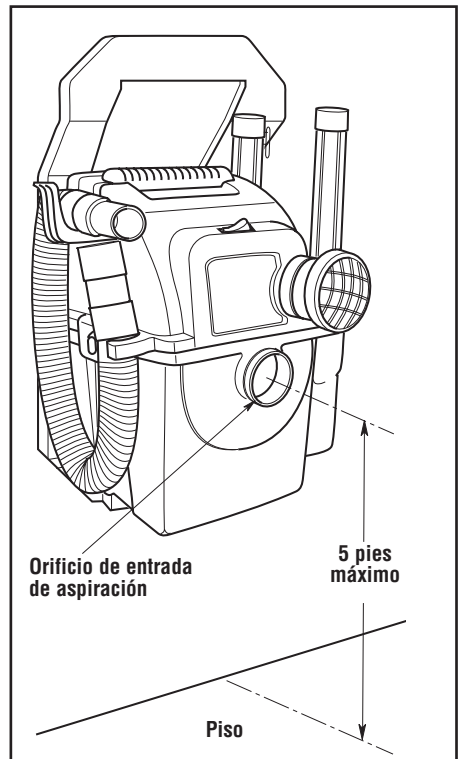


## Montaje del bastidor de almacenamiento en la pared

**⚠ ADVERTENCIA:** Para reducir el riesgo de lesiones:

- No monte el bastidor a más de 5 pies de altura sobre el piso.
- No sujete los tornillos a pared de tipo seco solamente.
- No se sienta en el bastidor de almacenamiento ni se cuelgue de él.
- No exceda el límite de peso máximo de 40 libras sobre el bastidor de almacenamiento.

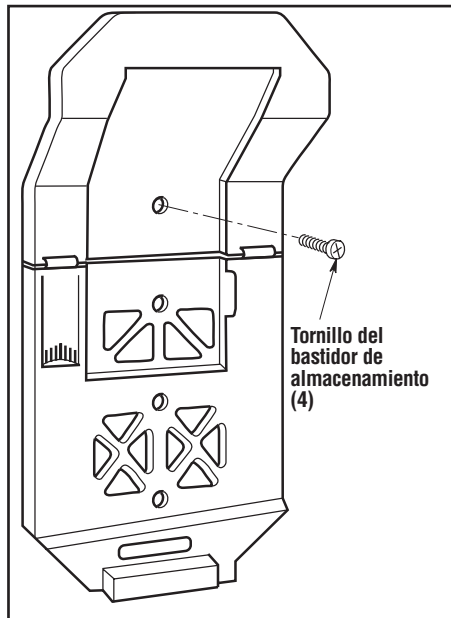
1. Elija una ubicación que esté en el interior y no esté expuesta a la lluvia. Para obtener el mejor rendimiento y facilitar el acceso, posicione el bastidor de almacenamiento de manera que el centro del orificio de entrada de la aspiradora no esté a más de cinco pies por encima del piso y a no más de 18 pulgadas del tomacorriente.



## ENSAMBLAJE Y MONTAJE DEL BASTIDOR DE ALMACENAMIENTO (continuación)

- Localice un montante de pared y posicione el bastidor de almacenamiento de manera que los cuatro tornillos estén sobre el montante. Nivele el bastidor y marque las ubicaciones de los agujeros. Taladre un agujero piloto de 1/8 de pulgada de diámetro en cada ubicación. Sujete el bastidor de almacenamiento a los montantes de pared utilizando los cuatro tornillos suministrados. Asegúrese de que los cuatro tornillos se aprieten firmemente en los postes de pared.
- Si la ubicación deseada no se alinea con un montante de pared o si los montantes están al descubierto, un panel de madera contrachapada de 1/2 pulgada de grosor, lo suficientemente ancho como para abarcar por lo menos dos montantes, se debe sujetar a los montantes con los cuatro tornillos suministrados. El bastidor de almacenamiento se podrá sujetar entonces al panel de madera contrachapada con cuatro tornillos para madera de cabeza troncocónica o redonda No. 10 de 1 pulgada (no suministrados).

**NOTA:** Los tornillos para madera suministrados están diseñados para realizar montajes en construcción de pared típica que consiste en panel de yeso de 5/8 de pulgada o menos.



**⚠ PRECAUCIÓN:** Para evitar que la madera contrachapada, el bastidor de almacenamiento o la aspiradora para mojado/seco se caigan, asegúrese de haber seleccionado el elemento de sujeción de longitud apropiada para montar firmemente el bastidor de almacenamiento en la pared.

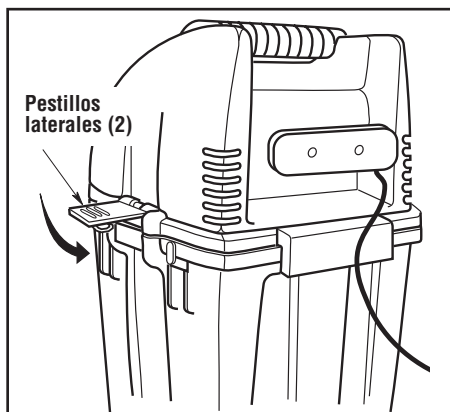
**⚠ ADVERTENCIA:** Para reducir el riesgo de incendio o descarga eléctrica, no deje enchufada la aspiradora cuando no esté en uso. No deje en marcha la aspiradora mientras esté desatendida.



# ENSAMBLAJE DE LA ASPIRADORA MONTADA EN LA PARED

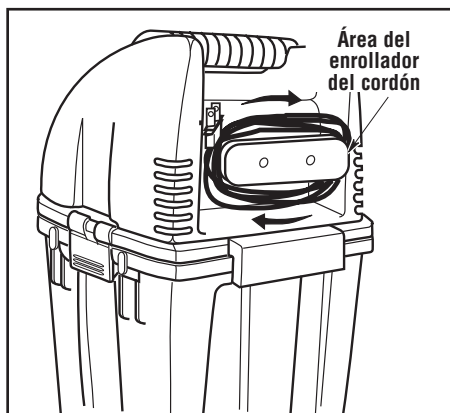
## Ensamblaje de la aspiradora

Coloque el ensamblaje del motor de la aspiradora sobre el ensamblaje del recipiente de la aspiradora y asegúrelo con los dos pestillos laterales.



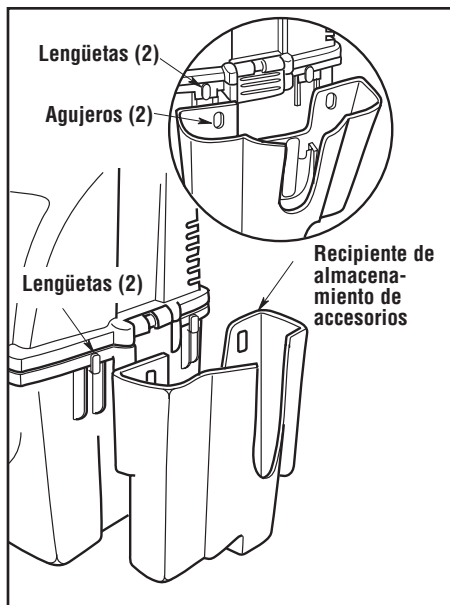
## Almacenamiento en el enrollador del cordón

Enrole el cordón eléctrico en el sentido de las agujas del reloj (desde la parte trasera) alrededor del área del enrollador del cordón en la parte de atrás del ensamblaje del motor de la aspiradora.



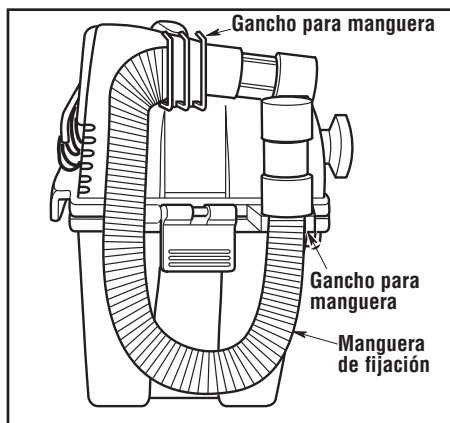
## Recipiente de almacenamiento de accesorios

Instale el recipiente de almacenamiento de accesorios en el ensamblaje de la aspiradora insertando las lengüetas ubicadas en el recipiente de la aspiradora a través de los agujeros ubicados en el recipiente de almacenamiento y bajando dicho recipiente hasta la posición correcta.



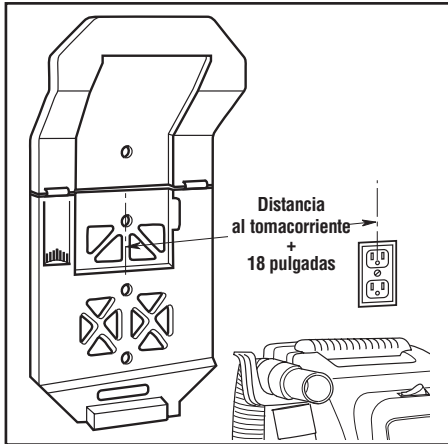
## Almacenamiento de las mangueras

Deslice cada extremo de la manguera de fijación al interior de los ganchos para manguera apropiados ubicados en el ensamblaje del motor de la aspiradora.

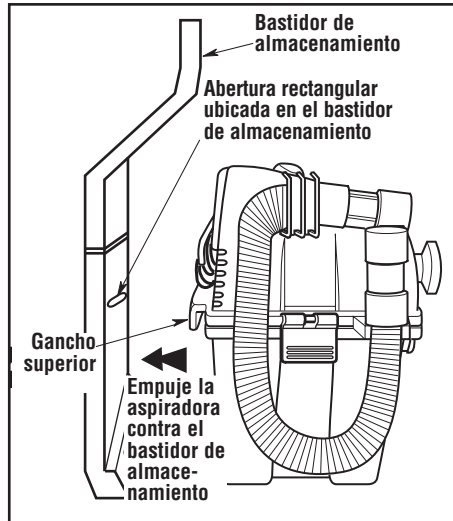
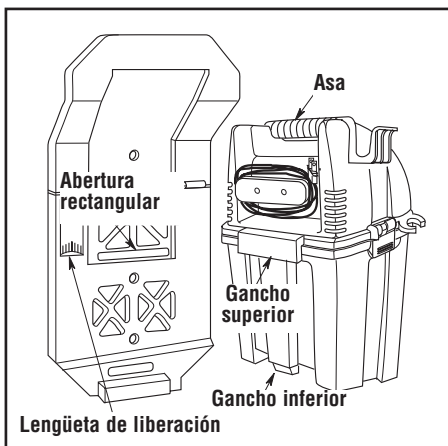


# SUSPENSIÓN DE LA ASPIRADORA EN EL BASTIDOR DE ALMACENAMIENTO

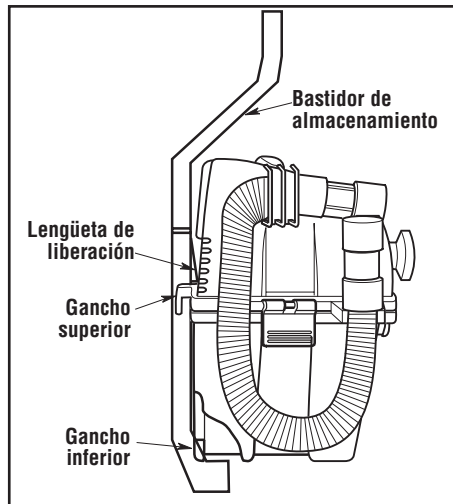
1. Ponga la aspiradora en el piso cerca del bastidor de almacenamiento. Mida la distancia desde el centro del bastidor de almacenamiento hasta el tomacorriente más cercano y añada 18 pulgadas.



2. Desenrolle esa longitud del cordón de energía ubicado en el enrollador del cordón. Deje colgar el cordón suelto sobre la parte de arriba de la aspiradora y hacia abajo por la parte delantera.
3. Agarre el asa con una mano y la parte inferior del recipiente de la aspiradora en la parte delantera con la otra mano. Levante siempre la aspiradora con las dos manos. Levante la aspiradora hasta el bastidor de almacenamiento.
4. Alinee el gancho superior de la aspiradora con la abertura rectangular ubicada en el bastidor de almacenamiento. Empuje la aspiradora contra el bastidor de almacenamiento.



5. Baje la aspiradora hasta que el gancho superior de la aspiradora y el gancho inferior estén acoplados y la parte inferior del recipiente de la aspiradora descanse sobre el bastidor. La lengüeta de liberación saldrá sobre la pestaña ubicada en el ensamblaje del motor.



6. Acople a presión el cable de alimentación en el interior del retenedor del cordón en la superficie delantera del bastidor. El cordón podrá salir tanto por el lado izquierdo como por el derecho. Enchufe el cordón de energía en el tomacorriente. No sujete el cordón de energía a la pared de ningún modo.

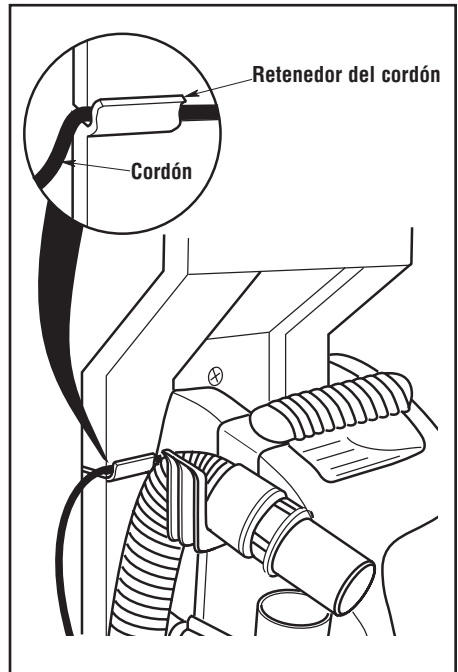
# SUSPENSIÓN DE LA ASPIRADORA EN EL BASTIDOR DE ALMACENAMIENTO (continuación)

## Almacenamiento del cordón

Cuando la aspiradora para mojado/seco montada en la pared no esté en uso, se debe desenchufar del tomacorriente. El exceso de cordón se debe enrollar sobre el bastidor de almacenamiento de la manguera. Es posible que se requieran varios bucles para eliminar todos los peligros de tropezar creados por un cordón que cuelgue débilmente.

## Remoción de la aspiradora del bastidor de almacenamiento

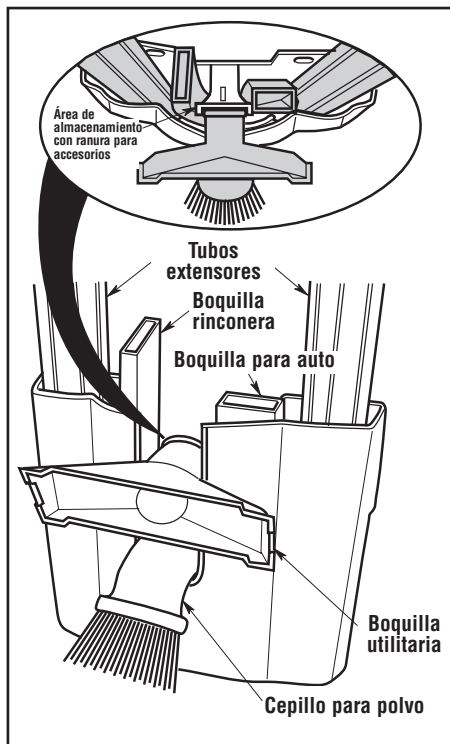
1. Desenchufe el cordón de energía del tomacorriente. Retire el cordón del retenedor del cordón. Deje colgar el cordón suelto sobre la parte de arriba de la aspiradora.
2. Con la mano derecha, agarre el asa de transporte.
3. Con la mano izquierda, presione la lengüeta de liberación ubicada en el lado izquierdo del bastidor de almacenamiento.
4. Levante el asa y tire de la aspiradora hacia arriba y hacia fuera del bastidor de almacenamiento.



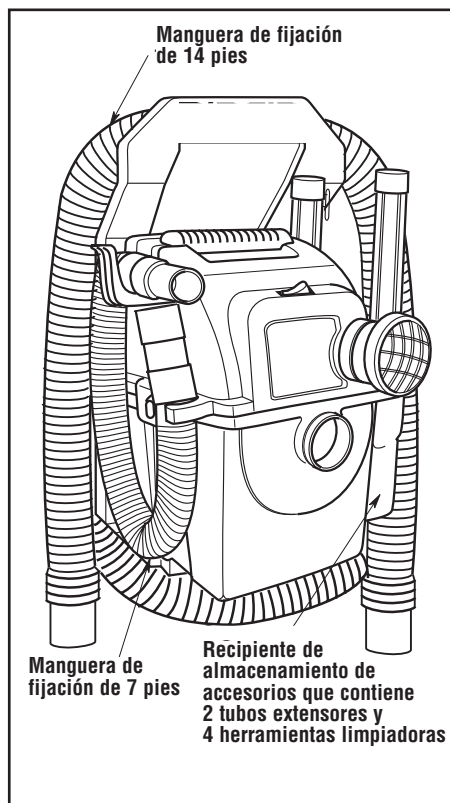
# ACCESORIOS

## Almacenamiento de las mangueras, los tubos extensores y las herramientas limpiadoras

1. Deslice los tubos extensores ubicados en los lados alejados del recipiente de almacenamiento de accesorios que se encuentra en el lado derecho de la aspiradora montada en la pared. Deslice la boquilla para auto y la boquilla rinconera junto a los tubos extensores en el recipiente de almacenamiento. Posicione el cepillo para polvo en posición horizontal y deslícelo al interior de la ranura para accesorios del recipiente de almacenamiento. Es necesario colocar primero el cepillo para polvo en la ranura para accesorios, ya que la boquilla utilitaria no encajará en esta posición. Por último, coloque la boquilla utilitaria al ras contra el área de almacenamiento con ranura para accesorios y deslícela hacia abajo hasta la posición de almacenamiento. El recipiente de almacenamiento acomoda ambos tubos extensores y las cuatro herramientas limpiadoras.



2. Inserte los extremos de la manguera de fijación expansible de 7 pies en los ganchos ubicados en el lado izquierdo de la aspiradora montada en la pared, de la manera que se muestra más abajo.
3. Forme un bucle doble con la manguera de fijación de 14 pies y cuelgue la manguera en el gancho de almacenamiento de la manguera ubicado en la parte de arriba del armazón.



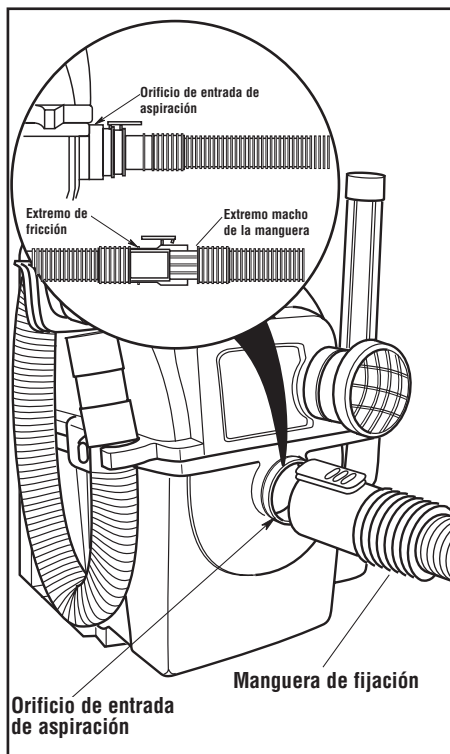
## ACCESORIOS (continuación)

### Mangueras (manguera de fijación de 14 pies y manguera de fijación expansible de 7 pies)

La manguera de fijación de 14 pies y manguera de fijación expansible de 7 pies tienen un adaptador que se puede utilizar para conectar la manguera al orificio de aspiración ubicado en la aspiradora o al extremo macho de otra manguera. Tanto las mangueras de 7 pies como las de 14 pies se pueden utilizar conectadas juntas o independientemente una de otra.

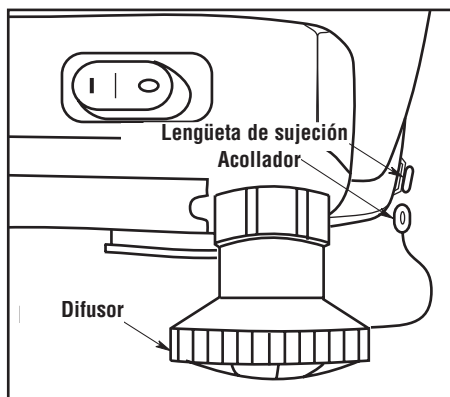
Tanto las mangueras de 7 pies como las de 14 pies tienen un adaptador de fijación en un extremo que se conectará a la aspiradora, y un conector de fricción en el otro extremo, que conectará a todos los accesorios de 1-7/8 pulgadas o una segunda manguera.

Para conectar estas dos mangueras juntas, conecte primero la manguera de 14 pies a la aspiradora para mojado/seco. Luego, conecte la manguera de 7 pies a la manguera de 14 pies insertando el extremo de fricción de la manguera más larga en el extremo de fijación más grande de la manguera más corta. Esto creará una conexión por fricción.



### Ensamblaje de la tapa del difusor

Conecte el acollador a la lengüeta de sujeción ubicada en el ensamblaje del motor de la aspiradora, para mantener el difusor sujeto a la aspiradora cuando utilice el orificio para soplador. La tapa del difusor se puede utilizar en el orificio de escape de la aspiradora para mojado/seco. La instalación de la tapa del difusor le permitirá dispersar el aire de escape en cualquier dirección y reducir la intensidad de la fuerza del aire de escape.



# FUNCIONAMIENTO

**⚠ ADVERTENCIA:** Para reducir el riesgo de incendio, explosión o daños a la aspiradora:

- No deje la aspiradora en marcha mientras esté desatendida. Usted podría no notar señales importantes que indiquen un funcionamiento anormal, tal como pérdida de succión, residuos o líquido que salen por el escape o ruidos anormales del motor. Deje de usar la aspiradora inmediatamente si observa estas señales.
- No deje la aspiradora enchufada cuando no se esté utilizando.
- No continúe usando la aspiradora cuando el flotador haya cortado la succión.
- Las chispas generadas dentro del motor pueden incendiar los materiales inflamables suspendidos en el aire. No utilice la aspiradora cerca de líquidos inflamables ni en áreas con gases o vapores inflamables o polvo explosivo/suspendido en el aire. Los líquidos inflamables, gases inflamables y los vapores inflamables incluyen: líquido encendedor, limpiadores tipo solvente, pinturas a base de aceite, gasolina, alcohol y rociadores tipo aerosol. Los polvos explosivos incluyen: carbón, magnesio, aluminio, grano de cereal y pólvora.
- No recoja con la aspiradora polvos explosivos, líquidos inflamables ni cenizas calientes.

**⚠ ADVERTENCIA:** Para reducir el riesgo de descargas eléctricas o lesiones:

- No exponga la aspiradora a la lluvia ni deje que entre líquido en el compartimiento del motor. Almacene la aspiradora en un lugar interior.
- No maneje el enchufe, el interruptor o la aspiradora con las manos mojadas.
- Desenchufe la aspiradora antes de hacerle servicio de ajustes y reparaciones. Si la aspiradora no está funcionando como debería, le faltan piezas, se ha caído, está dañada, se ha dejado a la intemperie o se ha caído al agua, devuélvala a un centro de servicio independiente o llame a servicio al cliente.
- Cuando utilice un cordón de extensión, utilice únicamente cordones con capacidad nominal para uso a la intemperie que estén en buenas condiciones. No deje que la conexión entre en contacto con líquido.

Para reducir el riesgo de sacudidas eléctricas, este aparato electrodoméstico tiene un enchufe polarizado (una hoja es más ancha que la otra). Este enchufe entrará en un tomacorriente polarizado solamente de una manera. Si el enchufe no entra por completo en el tomacorriente, déle la vuelta. Si sigue sin entrar, póngase en contacto con un electricista competente para instalar el tomacorriente adecuado. No haga ningún tipo de cambio en el enchufe.

Después de enchufar el cordón de energía en el tomacorriente, encienda la unidad empujando el interruptor de la posición "O" a la posición "I". Los símbolos utilizados en la cubierta del motor son los símbolos internacionales de "encendido y apagado".

 = APAGADO |  = ENCENDIDO

# FUNCIONAMIENTO (continuación)

## Vaciado del recipiente de la aspiradora

**⚠ ADVERTENCIA:** Para reducir el riesgo de lesiones por causa de un arranque accidental, desenchufe el cable de alimentación antes de vaciar el recipiente de la aspiradora.

1. Con la aspiradora retirada del bastidor de almacenamiento (consulte la sección “Remoción de la aspiradora del bastidor de almacenamiento”), retire el ensamblaje del motor de la aspiradora del ensamblaje del recipiente de la aspiradora.
2. Coloque el ensamblaje del motor de la aspiradora en posición invertida en un área limpia mientras vacía el recipiente de la aspiradora.
3. Vierta el contenido del recipiente de la aspiradora en un recipiente de eliminación de residuos apropiado.

## Dispositivo de soplado

La aspiradora cuenta con un orificio de soplado. Puede soplar aserrín y otros residuos. Siga los pasos que se indican a continuación para usar la aspiradora como soplador.

**⚠ ADVERTENCIA:** Use siempre anteojos de seguridad que cumplan con la norma ANSI Z87.1 (o en Canadá, con la norma CSA Z94.3) antes de utilizar la aspiradora como soplador.

**⚠ ADVERTENCIA:** Para reducir el riesgo de lesiones a las personas que estén presentes, manténgalas alejadas de los residuos soplados.

**⚠ PRECAUCIÓN:** Use una máscara antipolvo si el soplado genera polvo que podría ser inhalado.

**⚠ PRECAUCIÓN:** Para reducir el riesgo de daños a la audición, use protectores de oídos cuando utilice la aspiradora/soplador durante muchas horas seguidas o cuando la utilice en un área ruidosa.

1. Localice el orificio de soplado de la aspiradora.
2. Inserte el extremo de fijación de la manguera en el orificio de soplado de la aspiradora.
3. (Opcional) Acople un tubo extensor en el extremo opuesto de la manguera y luego coloque la boquilla para auto en el tubo.
4. Encienda la aspiradora y estará lista para utilizarse como soplador.

# FUNCIONAMIENTO (continuación)

## Selección del filtro correcto

**⚠ ADVERTENCIA:** Para reducir el riesgo de daños a la aspiradora, no haga funcionar el motor con el flotador en la posición subida. Debe haber presente un filtro de cartucho y éste se debe encontrar en la posición correcta durante todas las operaciones de aspiración, para evitar las fugas de residuos y posibles daños al motor de la aspiradora.

Hay una variedad de filtros disponibles para las aspiradoras para mojado/seco WORKSHOP®. Los filtros que usted escoja deben depender de la tarea que esté realizando. No todos los filtros disponibles se incluyen con cada modelo, pero es posible comprarlos según sea necesario a través de los establecimientos minoristas que vendan aspiradoras para mojado/seco WORKSHOP o a través de [www.WORKSHOPvac.com](http://www.WORKSHOPvac.com).

### Los filtros disponibles incluyen:

#### 1. Filtros de cartucho de papel plisado

- a. Los filtros de cartucho de papel plisado disponibles incluyen los números de catálogo WS21200F (suciedad diaria), WS22200F (polvo fino) y WS23200F (medios HEPA).
- b. Cada uno de estos filtros de cartucho de papel plisado está diseñado para recoger residuos secos; sin embargo, se puede recoger una pequeña cantidad de líquido sin dañar el filtro. Cuando el filtro se mantenga apropiadamente, las cantidades pequeñas de líquido no le causarán daños. Cuando recoja cantidades más grandes de líquido, el filtro de cartucho de papel plisado se saturará, es posible que aparezca niebla en el escape de la aspiradora y puede que el filtro resulte dañado. Después de utilizar la aspiradora para recoger pequeñas cantidades de líquido, se debe secar el filtro de cartucho de papel plisado para evitar que se forme moho y que se produzcan daños.
- c. Si está utilizando la aspiradora para recoger polvo muy fino, será necesario que vacíe el tambor y limpie el filtro a intervalos más frecuentes para mantener el máximo rendimiento de la aspiradora.

d. Consulte la sección “Remoción e instalación del filtro” para obtener instrucciones sobre cómo cambiar el filtro de cartucho de papel plisado.

#### 2. Filtro de cartucho para aplicaciones mojadas

- a. El filtro de cartucho para aplicaciones mojadas disponible tiene el número de catálogo WS24200F.
- b. Este filtro de cartucho para aplicaciones mojadas está diseñado para recoger líquidos y residuos mojados solamente. NO está diseñado para utilizarse en la recogida de residuos secos.
- c. Para mantener el rendimiento del filtro, enjuáguelo a fondo con agua después de cada uso.
- d. Consulte la sección “Remoción e instalación del filtro” para obtener instrucciones sobre cómo cambiar el filtro de cartucho para aplicaciones mojadas.

#### 3. Bolsas de recolección de polvo

- a. La bolsa de recolección de polvo disponible tiene el número de catálogo WS32090F.
- b. La bolsa de recolección de polvo está diseñada para recoger residuos secos SOLAMENTE.
- c. Si los residuos que se estén recogiendo tienen algo de humedad, la bolsa absorberá dicha humedad y se podrá deteriorar muy rápidamente, lo cual hará que dicha bolsa quede en estado no funcional.
- d. Si está utilizando la aspiradora para recoger polvo fino, la bolsa de recolección de polvo hará más fácil la limpieza.

**Nota:** Las bolsas de recolección de polvo se DEBEN usar en combinación con un filtro de cartucho de papel plisado.

- e. Las instrucciones para la instalación y remoción de las bolsas de recolección de polvo están impresas en las bolsas.



## Filtro

**⚠ ADVERTENCIA:** No utilice la aspiradora sin la jaula del filtro y el flotador, ya que estas piezas evitan que entre líquido en el impulsor y dañe el motor. Para recoger material seco, no utilice la aspiradora sin tener colocado el filtro en su sitio, para reducir el riesgo de daños al motor.

## Remoción e instalación del filtro

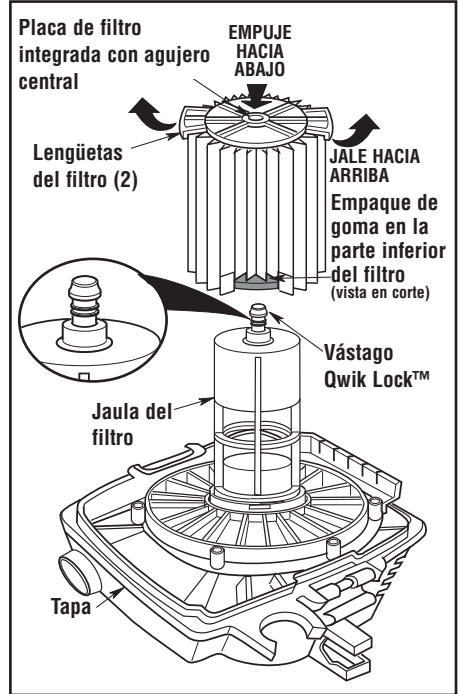
### Remoción del filtro:

1. Sostenga las lengüetas del filtro Qwik Lock™ en cada mano.
2. Con un dedo pulgar en el vástago Qwik Lock™, que sobresale a través de la placa del filtro integrada, levante las lengüetas del filtro a la vez que empuja hacia abajo sobre el vástago.
3. Esta acción hará que el filtro se suelte de la jaula del filtro. Deslice el filtro hasta retirarlo de la jaula.

### Instalación del filtro:

1. Deslice cuidadosamente el filtro Qwik Lock™ sobre la jaula del filtro y presione hacia abajo sobre el borde exterior del filtro hasta que el empaque de goma ubicado en la parte inferior del filtro se asiente firmemente alrededor de la base de la jaula del filtro y contra la tapa.
2. Alinee el agujero central pequeño ubicado en la parte superior del filtro sobre el vástago Qwik Lock™ ubicado en la jaula del filtro. Presione firmemente sobre la parte de arriba del filtro cerca del vástago, para permitir que el filtro se acople a presión sobre la bola ubicada en el extremo del vástago. Una vez hecho esto, el filtro estará instalado.

**NOTA:** Si no se asienta apropiadamente el empaque inferior, el resultado podría ser que los residuos rodeen el filtro.



**NOTA:** Este filtro está hecho de papel de alta calidad diseñado para detener partículas de polvo muy pequeñas. El filtro se puede utilizar para recoger material mojado o seco. Maneje el filtro cuidadosamente cuando lo quite para limpiarlo o cuando lo instale. Es posible que se formen arrugas en los pliegues del filtro como resultado de la instalación, pero las arrugas no afectarán el rendimiento del filtro.

## Limpieza de un filtro seco

**NOTA:** Para obtener los mejores resultados de limpieza cuando se haya acumulado polvo en el filtro, limpie el filtro en un área abierta. La limpieza DEBE realizarse en el exterior y no en áreas de vivienda.

1. La limpieza ligera para quitar una pequeña cantidad de residuos secos se puede realizar sin quitar el filtro de la aspiradora. Simplemente dé una palmada con la mano en la parte superior de la tapa mientras la aspiradora está apagada.
2. Quite el filtro de la aspiradora. Golpee suavemente el filtro contra la pared interior del tambor para polvo. Los residuos se soltarán y caerán.
3. Para realizar una limpieza a fondo del filtro seco con polvo fino (sin residuos), se puede pasar agua a través del filtro de la manera que se describe en "Limpieza de un filtro mojado".

## Limpieza de un filtro mojado

Después de haber retirado el filtro, pase a través del mismo agua procedente de una manguera o una llave de agua. Tenga cuidado de que la presión del agua de la manguera no sea tan fuerte como para dañar el filtro. Deje que el filtro se seque antes de volver a instalarlo y de guardar la aspiradora.

## Limpieza y desinfección de la aspiradora para mojado/seco

Para mantener el mejor aspecto posible de la aspiradora para mojado/seco, limpie su exterior con un paño humedecido con agua templada y un jabón suave.

Para limpiar el tambor:

1. Vacíe de residuos el tambor.
2. Lave a fondo el tambor con agua templada y un jabón suave.
3. Limpie el tambor con un paño seco.

Antes de un almacenamiento prolongado o según sea necesario (por ejemplo, si se recogen aguas residuales), se debe desinfectar el tambor.

Para desinfectar el tambor:

1. Eche 1 galón de agua y 1 cucharadita de blanqueador de cloro en el tambor.
2. Deje que la solución repose durante 20 minutos y agítela cuidadosamente cada pocos minutos, asegurándose de mojar todas las superficies interiores del tambor.
3. Vacíe el tambor después de 20 minutos. Enjuáguelo con agua hasta que el olor a blanqueador desaparezca. Deje que el tambor se seque completamente antes de sellar el motor sobre el tambor.
4. Después del uso, la aspiradora para seco/mojado de montaje en pared se puede almacenar en el soporte de pared, tal y como se describe en la página 8.

## Cordón de energía

Cuando la aspiradora para mojado/seco montada en la pared no esté en uso, se debe desenchufar del tomacorriente. El exceso de cordón se debe enrollar sobre el bastidor de almacenamiento de la manguera.

Si el cordón de energía está dañado, debe ser reemplazado por el fabricante o su agente de servicio o por personal similarmente calificado, para reducir el riesgo de accidente.

**⚠ ADVERTENCIA:** Para garantizar la **SEGURIDAD** y **CONFIABILIDAD** del producto, cualquier otro mantenimiento, reparación o ajuste deberá ser realizado por centros de servicio Autorizados, utilizando siempre piezas de repuesto **WORKSHOP**.

# GARANTÍA LIMITADA DE WORKSHOP®

Esta garantía limitada es ofrecida por Emerson Tool Company, una división de Emerson Electric Co., radicada en la dirección que se indica más abajo (“ETC” o “nosotros” o “nuestro” o “nuestra”) y se aplica a nuestras aspiradoras para mojado/seco de la marca WORKSHOP (colectivamente, el “Producto WORKSHOP®”).

Si tiene preguntas o necesita asistencia en relación con la garantía de su Producto WORKSHOP, sírvase contactar al Departamento de Servicio al Cliente de Productos WORKSHOP de ETC llamando al número gratuito o escribiendo a la dirección provista más abajo.

## Garantía limitada de WORKSHOP®

ETC, radicada en 8100 W Florissant Ave, St. Louis, MO 63136, ofrece la siguiente garantía limitada al comprador original solamente (“usted” o “su”), sujeta a las exclusiones que se describen a continuación: Su Producto WORKSHOP estará libre de defectos de material y de fabricación cuando se utilice en circunstancias normales de acuerdo con los términos establecidos en el Manual del Usuario que se le entregue a usted con el Producto WORKSHOP, durante un período de cinco (5) años a partir de la fecha de compra original (el “Período de Garantía”). Esta garantía limitada se termina si el comprador original transfiere el Producto WORKSHOP a cualquier otra persona o entidad.

## Qué no está cubierto: Exclusiones de la garantía

Esta garantía limitada no se extiende a lo siguiente y lo excluye expresamente:

- El desgaste por el uso normal y/o los aditamentos o accesorios de repuesto, incluyendo, sin limitación, cables de alimentación, mangueras, filtros y otros aditamentos o accesorios que pongamos a la venta para utilizarlos con el Producto WORKSHOP.
- Daños al motor del Producto WORKSHOP o quemadura de dicho motor que resulten del hecho de no despejar una obstrucción que ocurra durante el transcurso normal del uso.
- Pérdida del Producto WORKSHOP o daños al mismo que resulten de situaciones que estén más allá del control de ETC, incluyendo, sin limitación, uso incorrecto, accidente, abuso, descuido, negligencia (que no sea de ETC), sobreutilización más allá de la capacidad prevista según se establezca en el Manual del Usuario o modificaciones o alteraciones realizadas por alguien ajeno a ETC.
- Pérdida del Producto WORKSHOP o daños al mismo que resulten del hecho de no usar el Producto WORKSHOP de acuerdo con las instrucciones escritas, las directrices y los términos y condiciones que se establecen en el Manual del Usuario.

## Notificación de garantía limitada y procedimientos de reclamo

Si descubre dentro del Período de Garantía aplicable que su Producto WORKSHOP tiene un defecto que cree que está cubierto por esta garantía limitada, debe contactar al Departamento de Servicio al Cliente de Productos WORKSHOP de ETC llamando al (888) 455-8724 entre las horas de 8:30 a.m. y 4:30 p.m. Hora Central. Alternativamente, podrá contactar al Departamento de Servicio al Cliente de Productos WORKSHOP de ETC escribiendo a la dirección de correo electrónico indicada en su Manual del Usuario o en la página de Productos WORKSHOP del sitio Web de ETC.

Para que se procese su reclamo bajo garantía lo más rápidamente posible, sugerimos que complete la “Tarjeta de Registro” que está a su disposición en la página de Productos WORKSHOP del sitio Web de ETC en [www.WORKSHOPvac.com](http://www.WORKSHOPvac.com). Si opta por no registrar su Producto WORKSHOP, para presentar un reclamo bajo garantía tendrá que proporcionarnos una copia de su recibo de venta u otro comprobante de compra que muestre la fecha de compra, para confirmar que su reclamo está dentro del Período de Garantía y que usted es el comprador original.

# GARANTÍA LIMITADA DE WORKSHOP®

## Qué haremos para corregir los problemas

Después de que usted haya contactado al Departamento de Servicio al Cliente de Productos WORKSHOP de ETC conforme a los procedimientos que anteceden, ETC iniciará los procedimientos de la garantía, incluyendo una inspección física, sujeto a las exclusiones y al Período de Garantía que se establecen en este documento, para determinar si reparar o reemplazar el Producto WORKSHOP o darle a usted un reembolso.

La decisión de reparar o reemplazar su Producto WORKSHOP o darle un reembolso es a nuestra discreción exclusiva. La reparación o los reemplazos que ETC le provea a usted son sin costo alguno para usted si están cubiertos bajo esta garantía limitada. La cobertura bajo esta garantía limitada está condicionada en todo momento a que el comprador original cumpla con la notificación de garantía limitada que antecede y los correspondientes procedimientos de reclamo.

Si su reclamo está cubierto bajo esta garantía limitada, nosotros, a nuestra opción exclusiva (a) repararemos o reemplazaremos la porción defectuosa de su Producto WORKSHOP o (b) reemplazaremos todo su Producto WORKSHOP. Si no podemos proporcionarle un Producto WORKSHOP reparado o de repuesto que sea adecuado, le daremos un reembolso igual al precio de compra de su Producto WORKSHOP o un crédito para utilizarlo hacia la compra de un Producto WORKSHOP nuevo.

## No se aplica ninguna otra garantía expresa

LAS GARANTÍAS LIMITADAS PROVISTAS MÁS ARRIBA SON LAS GARANTÍAS ÚNICAS Y EXCLUSIVAS OFRECIDAS POR ETC AL COMPRADOR ORIGINAL DEL PRODUCTO WORKSHOP Y SUSTITUYEN A TODAS LAS DEMÁS GARANTÍAS, ESCRITAS U ORALES, EXPRESAS O IMPLÍCITAS, TANTO SI SURGEN POR EFECTO DE LA LEY COMO DE OTRA MANERA, INCLUYENDO, SIN LIMITACIÓN, LAS GARANTÍAS DE COMERCIABILIDAD O IDONEIDAD PARA UN PROPÓSITO ESPECÍFICO, TANTO SI EL PROPÓSITO HA SIDO REVELADO COMO SI NO LO HA SIDO Y SI EL PRODUCTO WORKSHOP HA SIDO O NO HA SIDO DISEÑADO O FABRICADO ESPECÍFICAMENTE PARA USO POR USTED O PARA EL PROPÓSITO QUE USTED TENGA. LOS DESCARGOS DE RESPONSABILIDADES DE LAS GARANTÍAS IMPLÍCITAS, INCLUYENDO SIN LIMITACIÓN LAS GARANTÍAS IMPLÍCITAS DE COMERCIABILIDAD E IDONEIDAD PARA UN PROPÓSITO ESPECÍFICO, NO ENTRARÁN EN VIGOR HASTA EL FINAL DEL PERÍODO DE GARANTÍA. Ningún empleado, agente, distribuidor u otra persona está autorizado a alterar esta garantía limitada u ofrecer cualquier otra garantía en nombre de ETC. Los términos de esta garantía limitada no serán modificados por ETC, el propietario original o sus respectivos sucesores o cesionarios.

## Limitación de responsabilidad

EN LA MEDIDA EN QUE ESTÉ PERMITIDO POR LA LEY, ETC NO SERÁ RESPONSABLE EN NINGÚN CASO POR DAÑOS INCIDENTALES, ESPECIALES, INDIRECTOS O EMERGENTES, INCLUYENDO CUALQUIER PÉRDIDA ECONÓMICA, TANTO SI RESULTA DE BAJO RENDIMIENTO, USO, USO INCORRECTO O INCAPACIDAD PARA UTILIZAR EL PRODUCTO WORKSHOP, COMO SI SE DEBE A LA NEGLIGENCIA DE ETC. ETC NO SERÁ RESPONSABLE POR DAÑOS CAUSADOS POR LA DEMORA EN EL RENDIMIENTO DEBIDO Y EN NINGÚN CASO, INDEPENDIENTEMENTE DE LA FORMA DEL RECLAMO O LA CAUSA DE ACCIÓN (TANTO SI SE BASA EN CONTRATO COMO EN INFRACCIÓN, NEGLIGENCIA, RESPONSABILIDAD ESTRICTA, OTRO AGRAVIO O CUALQUIER OTRA COSA), LA RESPONSABILIDAD DE ETC HACIA USTED O CUALQUIER PERSONA QUE UTILICE EL PRODUCTO WORKSHOP EXCEDERÁ EL PRECIO PAGADO POR EL PROPIETARIO ORIGINAL POR EL PRODUCTO WORKSHOP. La expresión "daños emergentes" incluirá, pero no estará limitada a, pérdida de ganancias anticipadas, interrupción del negocio, pérdida de uso o ingresos, costo de capital o pérdida de bienes o equipos o daños a los mismos.

Algunos estados no permiten la exclusión ni la limitación de los daños incidentales o emergentes, por lo que es posible que la limitación que antecede no tenga aplicación en el caso de usted.

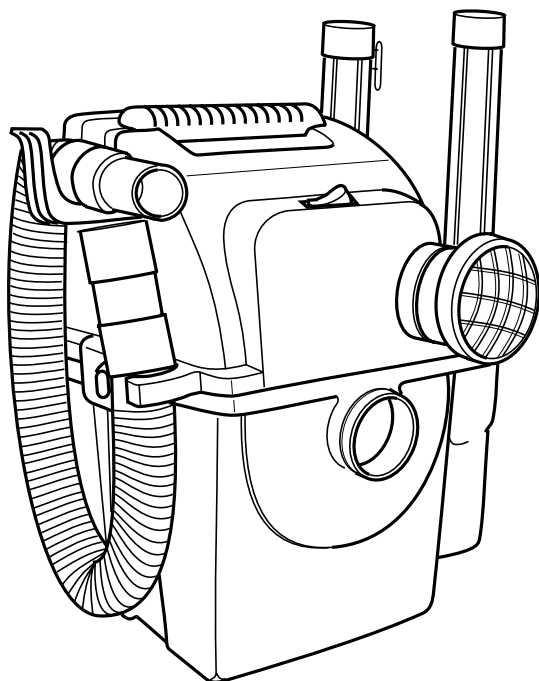
Esta garantía limitada le confiere a usted derechos legales específicos y es posible que usted tenga también otros derechos que varían de un estado a otro.

# WORKSHOP<sup>®</sup> MD

## WET/DRY VACS

### MODE D'EMPLOI

- Aspirateur de liquides et de poussières à montage mural
- 5 gallons É.-U/  
18 litres
- WS0500WMO/  
WS0500WM



EN CAS DE QUESTIONS OU POUR OBTENIR DES INFORMATIONS,  
VEUILLEZ NOUS CONTACTER AU :  
**1-888-455-8724** depuis les États-Unis et le Canada  
[www.WORKSHOPvacs.com](http://www.WORKSHOPvacs.com)

**▲ AVERTISSEMENT :**

Pour réduire le risque de blessure, l'utilisateur doit lire et comprendre le mode d'emploi avant d'utiliser ce produit.

- Español - página 19

**CONSERVER CE MANUEL POUR RÉFÉRENCE FUTURE**

# TABLE DES MATIÈRES

Section	Page	Section	Page
Instructions importantes relatives à la sécurité	38	Fonctionnement	48
Introduction	40	Vidage du boîtier de l'aspirateur	49
Déballage et inspection du contenu du carton	40	Fonction de soufflante	49
Assemblage et montage du support de rangement	41	Choix du filtre correct	50
Assemblage de l'aspirateur à montage mural	43	Entretien	51
Assemblage de l'aspirateur	43	Filtre	51
Rangement du cordon sur le rembobineur	43	Retrait et installation du filtre	51
Casier de rangement des accessoires	43	Nettoyage d'un filtre sec	52
Rangement du tuyau flexible	43	Nettoyage d'un filtre humide	52
Suspension de l'aspirateur sur le support de rangement	44	Nettoyage et désinfection de l'aspirateur de liquides et de poussières	52
Accessoires	46	Cordon d'alimentation	52
Rangement des tuyaux flexibles, des tubes de rallonge & des outils de nettoyage	46	Garantie	53
Tuyaux flexibles	47	Pièces de rechange	55
Assemblage du capuchon du diffuseur	47	Réparation de l'aspirateur de liquides et de poussières doublement isolé	55

## INSTRUCTIONS IMPORTANTES RELATIVES À LA SÉCURITÉ

La sécurité est une combinaison de faire preuve de bon sens, rester vigilant et savoir comment votre aspirateur de liquides et de poussières (l'« aspirateur ») fonctionne.

### Termes de signalisation de questions de sécurité

**⚠ DANGER** : indique une situation dangereuse qui, si elle n'est pas évitée, causera la mort ou une blessure grave.

**⚠ AVERTISSEMENT** : indique une situation dangereuse qui, si elle n'est pas évitée, risque de causer la mort ou une blessure grave.

**⚠ MISE EN GARDE** : indique une situation dangereuse qui, si elle n'est pas évitée, pourrait causer une blessure légère ou modérée.

Prenez toujours des précautions élémentaires, notamment les précautions suivantes, lorsque vous utilisez votre aspirateur de liquides et de poussières :

### ⚠ AVERTISSEMENT

– Pour réduire le risque d'incendie, de choc électrique ou de blessure :

- Lisez et comprenez ce manuel et toutes les étiquettes placées sur l'aspirateur avant de mettre celui-ci en marche.
- N'utilisez l'aspirateur que comme cela est décrit dans ce mode d'emploi.
- Ne laissez pas en marche pendant que vous êtes absent – vous vous risqueriez de manquer des signes importants indiquant un fonctionnement anormal, comme une perte de puissance d'aspiration, la sortie de débris ou de liquides par la bouche de soufflage d'air ou des bruits anormaux en provenance du moteur. Cessez immédiatement d'utiliser l'aspirateur si vous constatez de tels signes.
- Ne laissez pas l'aspirateur sans surveillance quand il est branché dans une prise de courant. Débranchez-le de la prise quand il n'est pas utilisé et avant toute opération de maintenance.
- Des étincelles à l'intérieur du moteur risquent de

mettre feu à des vapeurs ou poussières inflammables. Pour réduire le risque d'incendie ou d'explosion : n'utilisez pas à proximité de gaz ou de liquides inflammables ou combustibles, ou de poussières explosives, comme de l'essence automobile ou d'autres fiouls, de l'essence à briquet, des produits de nettoyage, de la peinture à l'huile, du gaz naturel, de l'hydrogène, de la poussière de charbon, de la poussière de magnésium, de la poussière d'aluminium, de la poussière de céréales ou de la poudre.

- N'aspirez jamais de matières en train de brûler ou des matières fumigènes, telles que des cigarettes, des allumettes ou des cendres chaudes.
- N'aspirez jamais de poussières de plaques de plâtre, de suie ou de cendres de cheminée froides lorsqu'un filtre pour aspirateur de liquides et de poussières standard. Il s'agit de poussières très fines qui risqueraient d'être projetées à nouveau dans l'air ambiant. Utilisez un filtre à poussières fines à la place.
- Pour réduire le risque d'inhalation de vapeurs toxiques, de l'hydrogène, de la poussière ou dangereux, et n'utilisez pas à proximité de tels matériaux.
- Pour réduire le risque de choc électrique, n'exposez pas à la pluie et empêchez l'entrée de liquides dans le compartiment du moteur. Rangez à l'intérieur.
- Cet aspirateur de liquides et de poussières n'est pas conçu pour emploi par des personnes (y compris des enfants) ayant des capacités physiques, sensorielles ou mentales réduites, ou qui n'ont pas l'expérience ou les connaissances nécessaires, sauf en cas de supervision ou d'instructions sur l'utilisation de cet appareil par une personne responsable de leur sécurité.
- Ne laissez pas les enfants se servir de l'aspirateur comme d'un jouet. Il faut surveiller de très près quand il est utilisé par des enfants ou à proximité d'enfants.
- N'utilisez pas avec un filtre déchiré ou sans avoir installé de filtre, sauf quand vous aspirez des liquides, comme cela est décrit dans ce mode d'emploi. Des débris secs capturés par la roue risquent d'endommager le moteur ou d'être expulsés à nouveau dans l'air ambiant.

- Éteignez l'aspirateur avant de le débrancher.
- Pour réduire le risque de blessure pouvant être causée par une mise en marche accidentelle, débranchez le cordon d'alimentation avant de changer le filtre ou de le nettoyer.
- Ne débranchez pas en tirant sur le cordon. Pour débrancher, saisissez la fiche – pas le cordon.
- N'utilisez pas l'aspirateur avec une fiche, un cordon ou un autre composant endommagé. Si votre aspirateur ne fonctionne pas comme il faut, s'il manque des pièces, s'il quelq'un l'a laissé tomber, s'il est endommagé, s'il a été laissé à l'extérieur ou s'il est tombé dans de l'eau, téléphonez au service d'assistance à la clientèle.
- Ne tirez pas l'aspirateur et ne le portez pas par son cordon, n'utilisez pas le cordon pour servir de poignée, ne fermez pas une porte sur le cordon et ne laissez pas le cordon tendu passer sur des bords ou des coins tranchants. Ne traînez pas l'aspirateur sur son cordon. Maintenez le cordon à distance des surfaces chauffées.
- Ne touchez pas la fiche, l'interrupteur ou l'aspirateur avec des mains mouillées.
- Cet aspirateur de liquides et de poussières a une double isolation, ce qui élimine le besoin d'un système de mise à la terre séparé. Utilisez seulement des pièces de rechange identiques. Lisez les instructions concernant l'entretien des aspirateurs de liquides et de poussières à double isolation avant toute opération d'entretien.
- Utilisez seulement des cordons de rallonge qui sont conçus pour emploi à l'extérieur. Les cordons de rallonge en mauvais état ou trop petits en termes de calibre des fils peuvent poser des risques d'incendie et de choc électrique. Pour réduire le risque de tels dangers, inspectez les cordons pour vous assurer qu'ils sont en bon état et que le liquide n'entre pas en contact avec le raccordement. N'utilisez pas de cordons de rallonge dont les conducteurs ont un calibre inférieur à 16 AWG. Pour réduire la perte d'énergie, utilisez un cordon de rallonge de calibre 14 s'il mesure entre 7,5 et 15 mètres de long, ou de calibre 12 s'il mesure 15 mètres de long ou plus.
- Ne mettez aucun objet dans les orifices de ventilation. N'aspirez pas quand de quelconques orifices de ventilation sont obstrués ; assurez-vous que ces orifices ne sont pas bloqués par de la poussière, de la peluche, des cheveux ou de quelconques objets pouvant réduire la circulation de l'air.
- Gardez les cheveux, les vêtements flottants, les doigts et toutes les parties du corps à distance des orifices et des pièces mobiles.
- Pour réduire le risque de chute, faites très attention lorsque vous utilisez l'aspirateur dans des escaliers.
- Pour réduire le risque de vous faire mal au dos ou de tomber, ne soulevez pas un aspirateur qui est lourd en raison de la présence de liquides ou de débris aspirés. Videz partiellement l'aspirateur en écopant ou en purgeant.
- Pour réduire le risque de blessure ou le risque d'endommagement de l'aspirateur, n'utilisez que des accessoires recommandés par WORKSHOP.
- Ne montez pas le support de rangement de l'aspirateur à plus de 5 pi (1,5 m) du sol.
- N'attachez pas les vis à la cloison sèche seulement. Assurez-vous que les vis sont attachées au centre de poteaux séparés l'un de l'autre de 16 po (40 cm).
- Ne vous asseyez pas sur le support de rangement de l'aspirateur, et ne vous y suspendez pas.
- Ne dépassez pas la limite maximum de poids de 40 livres (18 kg) sur le support de rangement de l'aspirateur.
- En cas d'utilisation de l'aspirateur comme soufflante :
  - Ne dirigez la décharge d'air que vers la zone de travail.
  - Ne dirigez pas l'air vers des personnes présentes à proximité.
  - Gardez les enfants à distance lors du fonctionnement de la soufflante.
  - N'utilisez la soufflante que pour souffler des saletés et des débris.
  - N'utilisez pas en guise de pulvérisateur.
- Pour réduire le risque de blessure pour les yeux, portez des lunettes de sécurité. L'utilisation de toute soufflante ou de tout aspirateur utilitaire peut toujours causer la projection de corps étrangers dans les yeux, ce qui risque d'entraîner des blessures graves aux yeux.

### ▲ MISE EN GARDE :

- Pour réduire le risque de perte auditive, portez des protecteurs d'oreilles lorsque vous vous servez de l'aspirateur pendant plusieurs heures ou quand vous l'utilisez dans un endroit bruyant.
- Portez un masque antipoussières en cas d'utilisation dans un environnement poussiéreux.
- Les décharges statiques sont fréquentes dans les endroits secs ou lorsque l'humidité relative de l'air ambiant est faible. L'aspiration de débris fins avec votre aspirateur peut déposer une charge statique sur le tuyau ou sur l'aspirateur. La meilleure chose à faire pour réduire la fréquence des décharges statiques chez vous ou lorsque vous utilisez cet aspirateur consiste à ajouter de l'humidité dans l'air avec un humidificateur.

Observez les avertissements suivants qui figurent sur le carter du moteur de votre aspirateur :



DOUBLEMENT ISOLÉ.  
MISE À LA TERRE NON NÉCESSAIRE.  
POUR L'ENTRETIEN, N'UTILISEZ QUE DES PIÈCES DE RECHANGE IDENTIQUES.

▲ AVERTISSEMENT: pour réduire le risque de choc électrique – n'exposez pas à la pluie – rangez à l'intérieur.

▲ AVERTISSEMENT: pour votre propre sécurité, lisez et comprenez le manuel de l'opérateur. Ne laissez jamais l'aspirateur en marche sans surveillance. Ne ramassez pas de cendres chaudes, de charbon ou de matières toxiques, inflammables ou dangereuses. N'utilisez pas à proximité de vapeurs ou de liquides explosifs.

### ▲ AVERTISSEMENT :

pour réduire le risque d'incendie ou de choc électrique, ne laissez pas l'aspirateur branché quand il n'est pas utilisé. Ne laissez pas l'aspirateur en marche sans surveillance.

# CONSERVER CE MANUEL

# INTRODUCTION

Cet aspirateur à montage mural est conçu exclusivement pour un emploi domestique. Il peut être utilisé pour l'aspiration de matières légères humides ou sèches, et il peut également faire fonction de soufflante. Sa conception légère lui permet d'être utilisé pour la plupart des travaux ménagers d'aspiration.

Familiarisez-vous avec les fonctions suivantes de ce produit, et lisez le mode d'emploi du début à la fin pour obtenir des détails précis sur l'utilisation de votre nouvel aspirateur de liquides et poussières.

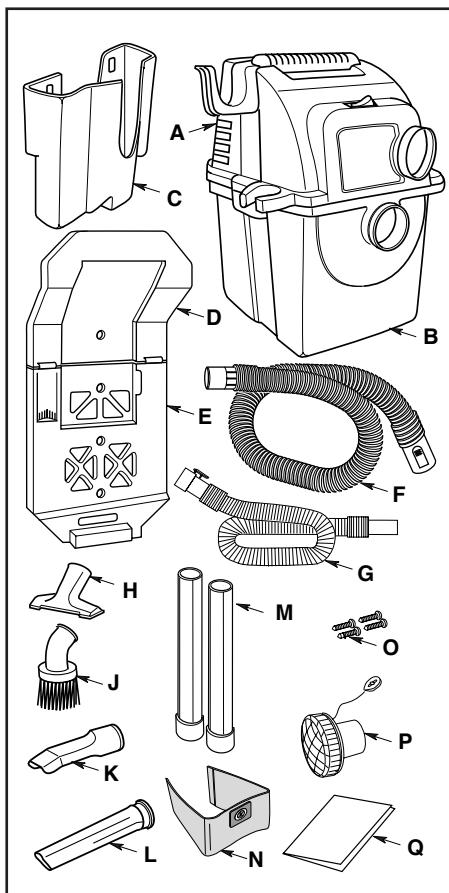
## DÉBALLAGE ET INSPECTION DU CONTENU DU CARTON

Retirez tous les éléments se trouvant dans la boîte en carton. Inspectez chaque élément en le comparant à la liste incluse dans la boîte en carton. Téléphonez au 1-888-455-8724 ou envoyez-nous un courriel à [info@WORKSHOPvac.com](mailto:info@WORKSHOPvac.com) si des pièces sont manquantes ou endommagées.

### Liste du contenu de la boîte en carton

Légende	Description	Qté
A	Ensemble de moteur de l'aspirateur	1
B	Cuve de l'aspirateur	1
C	Casier d'entreposage des accessoires	1
D†	Support de rangement de l'aspirateur supérieur	1
E†	Support de rangement de l'aspirateur inférieur	1
F	Tuyau flexible verrouillable de 14 pi	1
G	Tuyau flexible verrouillable extensible de 7 pi	1
H	Suceur à usages multiples	1
J	Brosse de dépoussiérage	1
K	Suceur pour véhicules	1
L	Suceur plat	1
M	Baguettes de rallonge	2
N	Sac de collecte de poussière	1
O	Vis à bois N° 10 x 1 3/4	4
O	Diffuseur	1
P	Mode d'emploi	1

† Une fois assemblé, le support de rangement pourra supporter le poids maximum de 40 lbs.

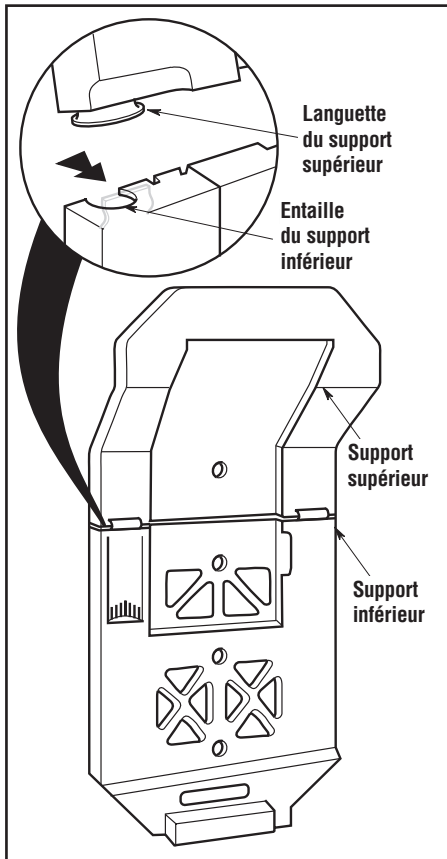




# ASSEMBLAGE & MONTAGE DU SUPPORT DE RANGEMENT DE L'ASPIRATEUR

## Assemblage du support supérieur et du support inférieur

Alignez les languettes du support supérieur avec les entailles du support inférieur. Faites glisser le support de rangement supérieur jusqu'à ce que les crochets sur le support de rangement inférieur s'engagent dans la bride du bas du support de rangement supérieur. Vous entendrez un dé clic lorsque les mécanismes de verrouillage s'enclencheront.

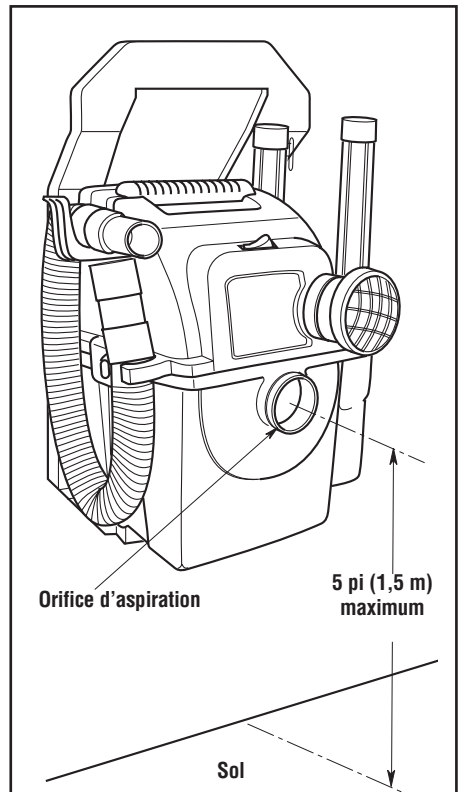


## Montage du support de rangement de l'aspirateur sur le mur

**⚠ AVERTISSEMENT :** pour réduire le risque de blessure :

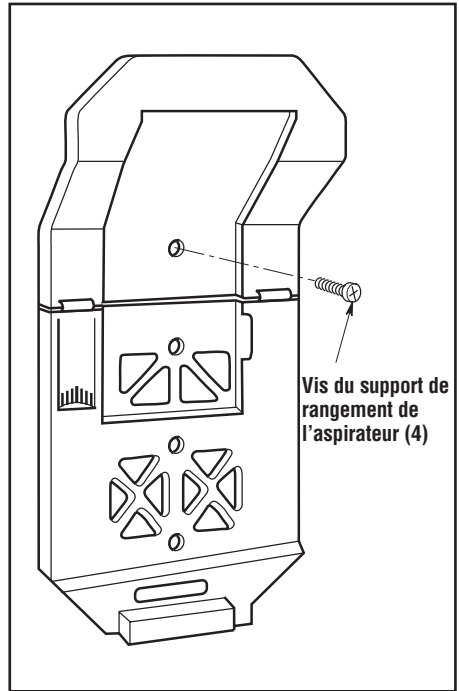
- Ne montez pas à plus de 5 pi (1,5 m) du sol.
- N'attachez pas les vis à la cloison sèche seulement.
- Ne vous asseyez pas sur le support de rangement de l'aspirateur, et ne vous y suspendez pas.
- Ne dépassez pas la limite maximum de poids de 40 livres (18 kg).

1. Choisissez un emplacement à l'intérieur qui n'est pas exposé à la pluie. Pour obtenir la meilleure performance et assurer un accès facile, positionnez le support de rangement de l'aspirateur de façon que le centre de l'orifice d'admission de l'aspirateur ne soit pas à plus de 5 pi (1,5 m) du sol et pas à plus de 18 po (45 cm) de la prise de courant.



# ASSEMBLAGE & MONTAGE DU SUPPORT DE RANGEMENT DE L'ASPIRATEUR (suite)

- Localisez le poteau mural et positionnez le support de rangement de telle façon que tous les quatre trous pour les vis soient sur le poteau mural. Mettez le support de niveau et marquez des repères sur le mur correspondant aux trous. Percez un trou pilote de 1/8 po de diamètre à chaque endroit. Attachez le support de rangement de l'aspirateur aux poteaux de la cloison en utilisant les quatre vis fournies. Assurez-vous que toutes les quatre vis sont enfoncées solidement dans les poteaux de la cloison
- Si l'emplacement désiré ne s'aligne pas avec un poteau mural ou si les poteaux muraux sont exposés, un panneau de contre-plaqué d'une épaisseur d'un demi-pouce assez large pour couvrir au moins deux poteaux muraux doit être attaché aux poteaux muraux en utilisant les quatre vis fournies. Le support de rangement pourra alors être attaché au panneau de contre-plaqué avec quatre vis à bois à tête ronde ou à tête cylindrique large N° 10 d'un pouce de long (non fournies). Le support de rangement de l'aspirateur pourra alors être attaché au panneau de contreplaqué avec quatre vis à bois à tête ronde ou à tête cylindrique large N° 10 de 1 po (2,5 cm) (non fournies).



**REMARQUE :** les vis à bois fournies sont prévues pour un montage sur une paroi de construction ordinaire consistant en une cloison sèche de 5/8 po (1,6 cm) ou moins.

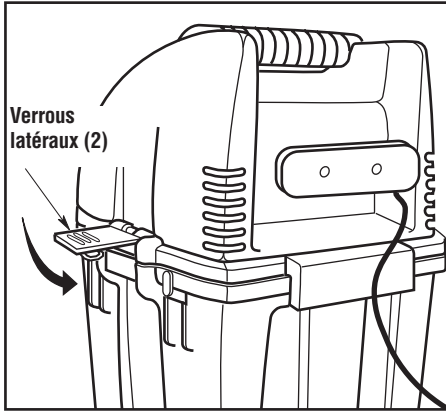
**⚠ MISE EN GARDE :** pour empêcher le panneau de contreplaqué, le support de rangement de l'aspirateur ou l'aspirateur lui-même de tomber, vérifiez que vous avez bien choisi des vis de la longueur nécessaire pour assurer un montage solide du support de rangement de l'aspirateur sur le mur.

**⚠ AVERTISSEMENT :** pour réduire le risque d'incendie ou de choc électrique, ne laissez pas l'aspirateur branché quand il n'est pas utilisé. Ne laissez pas l'aspirateur en marche sans surveillance.

# ASSEMBLAGE DE L'ASPIRATEUR À MONTAGE MURAL

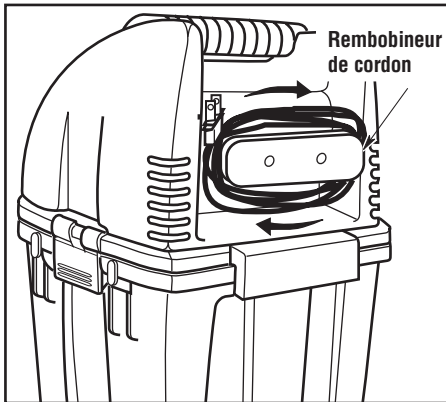
## Assemblage de l'aspirateur

Placez l'ensemble de moteur de l'aspirateur sur l'ensemble de boîtier de l'aspirateur, et assujettissez-le avec les deux verrous latéraux.



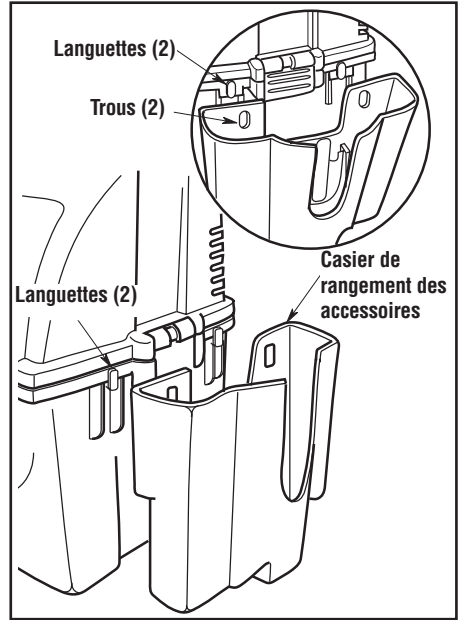
## Rangement du cordon sur le rembobineur

Enroulez le cordon électrique dans le sens des aiguilles d'une montre (depuis l'arrière) autour du rembobineur de cordon sur la partie arrière de l'ensemble de moteur de l'aspirateur.



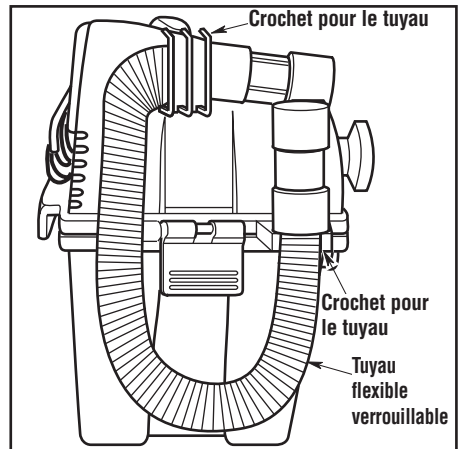
## Casier de rangement des accessoires

Attachez le casier de rangement des accessoires à l'ensemble d'aspirateur en insérant les languettes sur le boîtier de l'aspirateur à travers les trous à l'arrière du casier de rangement et en abaissant le casier jusqu'à ce qu'il soit à sa place.



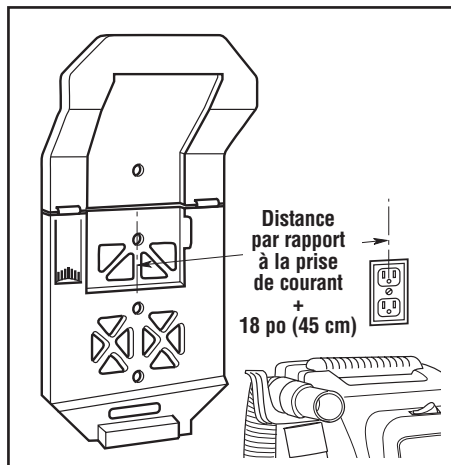
## Rangement du tuyau flexible

Faites glisser chaque extrémité du tuyau flexible verrouillable dans les crochets appropriés pour le rangement du tuyau qui sont situés sur l'ensemble de moteur de l'aspirateur.

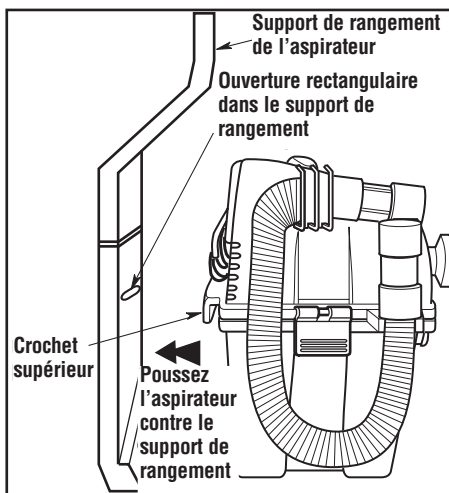
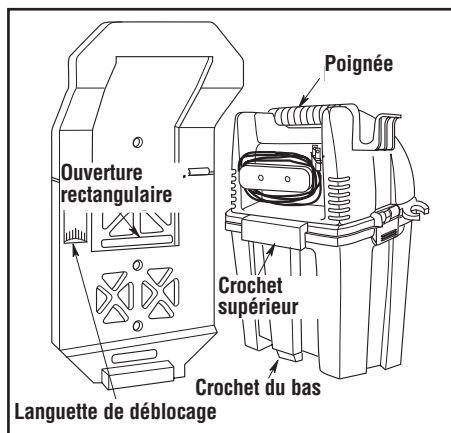


# SUSPENSION DE L'ASPIRATEUR SUR LE SUPPORT DE RANGEMENT

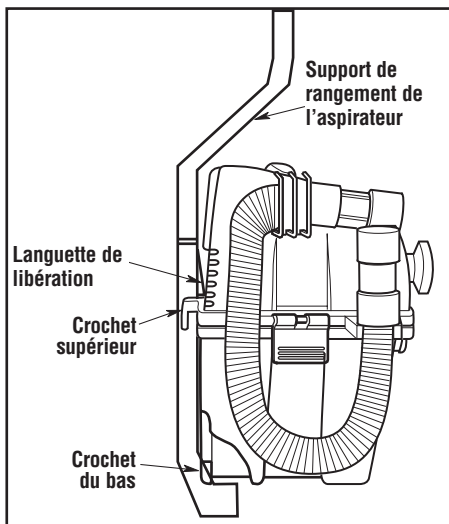
1. Posez l'aspirateur sur le sol à proximité du support de rangement. Mesurez la distance entre le centre du support de rangement de l'aspirateur et la prise de courant la plus proche, et ajoutez 18 pouces (45 cm).



2. Déroulez la longueur correspondante du cordon électrique de la structure de rangement du cordon. Faites passer le cordon déroulé au-dessus du haut de l'aspirateur et faites-le retomber sur le devant.
3. Saisissez la poignée d'une main et le fond du boîtier de l'aspirateur à l'avant de l'autre main. Utilisez toujours les deux mains pour soulever l'aspirateur. Soulevez l'aspirateur jusqu'au support de rangement.
4. Alignez le crochet supérieur de l'aspirateur avec l'ouverture rectangulaire du support de rangement de l'aspirateur. Poussez l'aspirateur contre le support de rangement.



5. Abaissez l'aspirateur jusqu'à ce que le crochet supérieur et le crochet inférieur de l'aspirateur soient engagés et que le fond de la cuve de l'aspirateur repose sur le support. La languette de déblocage s'ouvrira au-dessus de la bride de l'ensemble de moteur.



6. Enfoncez le cordon d'alimentation sur le dispositif de retenue du cordon sur la surface avant du support de rangement. Le cordon électrique peut sortir du côté gauche ou du côté droit. Branchez le cordon électrique dans la prise de courant. N'assujettissez le cordon électrique au mur en aucune manière.

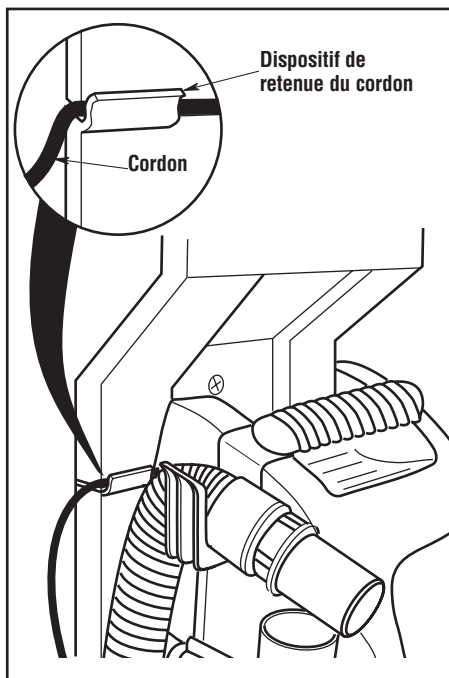
# SUSPENSION DE L'ASPIRATEUR SUR LE SUPPORT DE RANGEMENT (suite)

## Rangement du cordon électrique

Lorsque vous ne vous servez pas de votre aspirateur de liquides et de poussières à montage mural, il faut le débrancher de la prise de courant. La longueur excédentaire de cordon doit être rembobinée sur le support de rangement du tuyau. Plusieurs boucles peuvent être nécessaires pour éliminer tout risque d'accrochage causé par un cordon suspendu lâchement.

## Retrait de l'aspirateur de son support de rangement

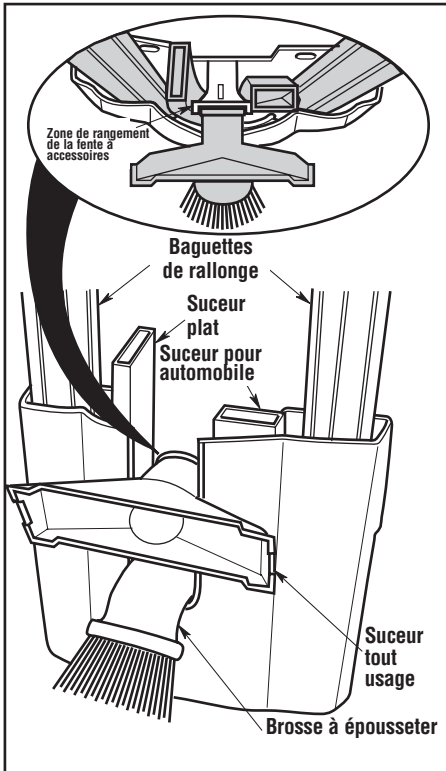
1. Débranchez le cordon électrique de la prise de courant. Retirez le cordon du dispositif de retenue du cordon. Enroulez le cordon lâche au-dessus du haut de l'aspirateur.
2. Avec votre main droite, saisissez la poignée de transport.
3. Avec votre main gauche, appuyez sur la languette de déblocage située du côté gauche du support de rangement.
4. Soulevez la poignée et tirez sur l'aspirateur (vers le haut) pour le faire sortir du support de rangement.



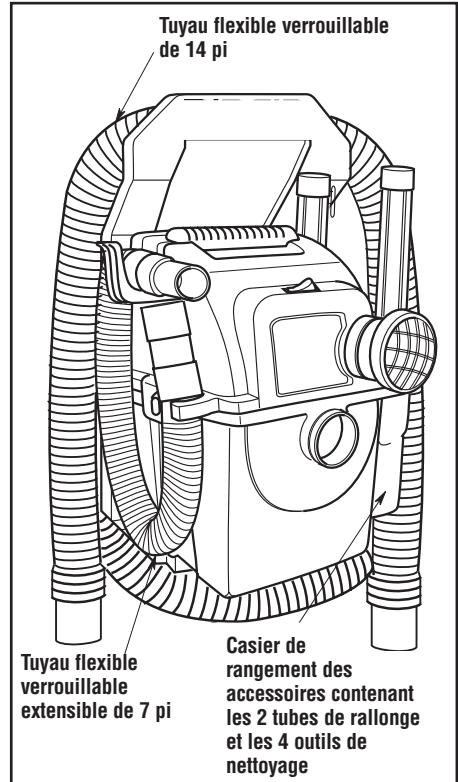
# ACCESSOIRES

## Rangement des tuyaux flexibles, des tubes de rallonge & des outils de nettoyage

1. Faites glisser les tubes de rallonge aux extrémités éloignées du casier de rangement des accessoires qui se trouve du côté droit de l'aspirateur à montage mural. Faites glisser le suceur pour automobile et le suceur plat à côté des tubes de rallonge dans le casier de rangement. Positionnez la brosse à épousseter horizontalement et faites-la glisser dans la fente à accessoires du casier de rangement. Il est nécessaire de placer la brosse à épousseter dans la fente à accessoires en premier, étant donné que le suceur tout usage ne tiendra pas dans cette position. Pour terminer, placez le suceur tout usage à ras contre la zone de rangement de la fente à accessoires et faites-le glisser dans la position de rangement. Le casier de rangement est assez grand pour contenir à la fois les deux tubes de rallonge et les quatre outils de nettoyage.



2. Insérez les extrémités du tuyau flexible verrouillable extensible de 7 pi sur les crochets du côté gauche de l'aspirateur à montage mural, comme illustré ci-dessous.
3. Formez une double boucle avec le tuyau flexible verrouillable de 14 pi et suspendez ce tuyau flexible sur le crochet de rangement du tuyau en haut du support de rangement.



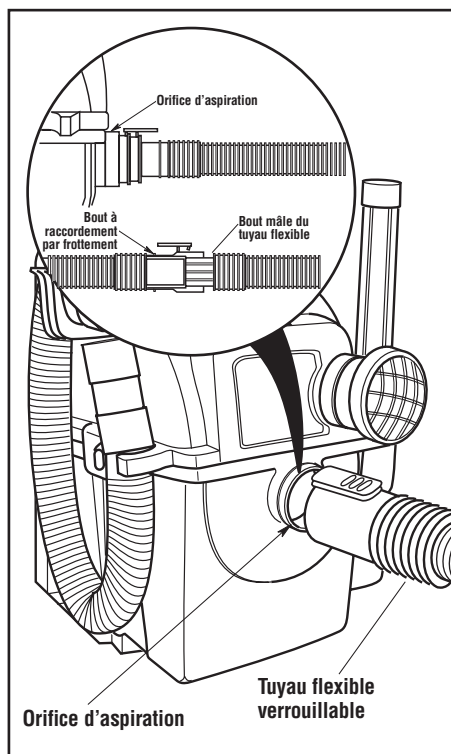
## ACCESSOIRES (suite)

### Tuyaux flexibles (tuyau flexible verrouillable de 14 pi & tuyau flexible verrouillable extensible de 7 pi)

Le tuyau flexible verrouillable de 14 pi & le tuyau flexible verrouillable extensible de 7 pi ont un adaptateur qui peut être utilisé pour connecter le tuyau à l'orifice d'aspiration sur l'aspirateur ou sur le bout mâle d'un autre tuyau flexible. Les deux tuyaux (celui de 7 pieds et celui de 14 pieds) peuvent être utilisés en étant connectés l'un à l'autre ou indépendamment l'un de l'autre.

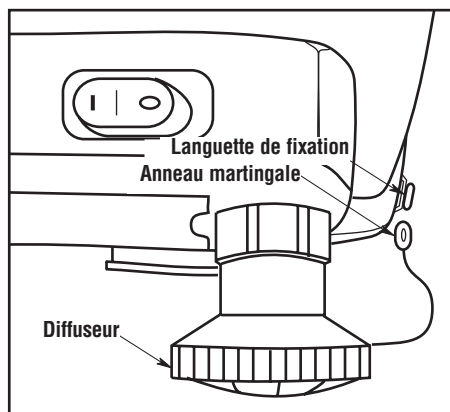
Les deux tuyaux de 7 pieds et de 14 pieds ont un adaptateur à verrouillage à un bout qui se raccordera à l'aspirateur, et un raccord par frottement à l'autre bout qui se connectera à tous les accessoires de 1 7/8 po ou à un second tuyau flexible.

Pour connecter ces deux tuyaux flexibles l'un à l'autre, connectez en premier le tuyau de 14 pieds à l'aspirateur de liquides et de poussières. Puis connectez le tuyau de 7 pieds au tuyau de 14 pieds en insérant le raccord par frottement du tuyau le plus long dans l'adaptateur à verrouillage le plus grand du tuyau le plus court. Ceci créera un raccordement par frottement.



### Assemblage du capuchon du diffuseur

Connectez l'anneau martingale à la languette de fixation sur l'ensemble de moteur de l'aspirateur pour maintenir le diffuseur attaché à l'aspirateur lorsque vous utilisez l'orifice de soufflerie. Le capuchon du diffuseur peut être utilisé dans l'orifice d'échappement de l'aspirateur de liquides et de poussières. L'installation du capuchon du diffuseur vous permettra de diffuser l'air d'échappement dans n'importe quel sens et de réduire l'intensité de la force d'échappement.



# FONCTIONNEMENT

**⚠ AVERTISSEMENT** : pour réduire le risque d'incendie, d'explosion ou d'endommagement de l'aspirateur :

- Ne laissez pas en marche pendant que vous êtes absent – vous vous risqueriez de manquer des signes importants indiquant un fonctionnement anormal, comme une perte de puissance d'aspiration, la sortie de débris ou de liquides par la bouche de soufflage d'air ou des bruits anormaux en provenance du moteur. Cessez immédiatement d'utiliser l'aspirateur si vous constatez de tels signes.
- Ne laissez pas l'aspirateur branché lorsque vous ne l'utilisez pas.
- Ne continuez pas à utiliser l'aspirateur lorsque le flotteur a coupé l'aspiration.
- Les étincelles à l'intérieur du moteur risqueraient de mettre feu à des matières inflammables en suspension dans l'air. Ne pas utiliser l'aspirateur à proximité de liquides inflammables ou à des endroits où il y a des gaz ou des vapeurs inflammables, ou de la poussière explosive/dans l'air. Les liquides, gaz et vapeurs inflammables comprennent : essence à briquet, produits de nettoyage du type solvant, peinture à base d'huile, essence, alcool et aérosols. Types de poussières explosives : charbon, magnésium, aluminium, céréales et poudre noire.
- N'aspirez pas de poussières explosives, de liquides inflammables ou de cendres chaudes.

**⚠ AVERTISSEMENT** : pour réduire le risque de choc électrique ou de blessure :

- N'exposez pas à la pluie, et ne laissez pas de liquides pénétrer dans le compartiment du moteur. Rangez à l'intérieur.
- Ne touchez pas la fiche de branchement, l'interrupteur ou l'aspirateur si vous avez les mains mouillées.
- Débrancher l'aspirateur avant d'effectuer une quelconque opération de maintenance. Si votre aspirateur ne fonctionne pas comme il devrait, si des pièces sont manquantes, si vous l'avez laissé tomber, s'il est endommagé, s'il a été laissé à l'extérieur ou s'il a été immergé dans de l'eau, rappez-le dans un centre de réparation indépendant ou téléphonez au service d'assistance à la clientèle.
- Lorsque vous utilisez un cordon de rallonge, n'utilisez qu'un cordon prévu pour emploi à l'extérieur et en bon état. Ne laissez pas la connexion entrer en contact avec des liquides.

Pour réduire le risque de choc électrique, cet appareil est muni d'une fiche polarisée (une lame est plus large que l'autre). La fiche n'entrera dans une prise polarisée que d'une seule manière. Inverser la fiche si elle n'entre pas complètement dans la prise. Si elle n'entre toujours pas, prendre contact avec un électricien qualifié pour installer une prise de courant appropriée. Ne pas altérer la fiche de quelque manière que ce soit.

Après avoir branché le cordon d'alimentation dans la prise de courant, mettez l'appareil sous tension en appuyant sur l'interrupteur pour le faire passer de la position « 0 » à la position « 1 ». Ces deux symboles internationaux figurant sur le capot du moteur indiquent, respectivement, la position d'arrêt et la position de marche de votre aspirateur.

○ = ARRÊT | = MARCHÉ



# FONCTIONNEMENT (suite)

## Vidage du boîtier de l'aspirateur

**⚠ AVERTISSEMENT** : pour réduire le risque de blessure pouvant résulter d'une mise en marche accidentelle, débranchez le cordon d'alimentation de la prise de courant avant de vider le boîtier de l'aspirateur.

1. Après avoir décroché l'aspirateur de son support de rangement (voir la rubrique consacrée au retrait de l'aspirateur du support de rangement), séparez l'ensemble de moteur de l'aspirateur de l'ensemble de boîtier de l'aspirateur.
2. Posez l'ensemble de moteur de l'aspirateur dans le sens dessus dessous sur une surface propre pendant que vous videz le boîtier de l'aspirateur.
3. Videz le contenu du boîtier de l'aspirateur dans la poubelle appropriée pour ce type de déchets.

## Fonction de soufflante

Votre aspirateur de liquides et de poussières peut servir de soufflante pour chasser les feuilles dans votre jardin, nettoyer votre patio et chasser la sciure et d'autres débris dans votre atelier.

**⚠ AVERTISSEMENT** : il faut toujours porter des lunettes de protection conformes à la norme ANSI Z87.1 (ou, au Canada, ACNOR Z94.3) avant de se servir de l'aspirateur comme une soufflerie.

**⚠ AVERTISSEMENT** : pour ne pas risquer de causer des blessures à d'autres personnes, il est recommandé de leur demander de rester à distance suffisante des débris soufflés.

**⚠ MISE EN GARDE** : portez un masque anti-poussière si votre soufflage crée de la poussière qui pourrait être aspirée.

**⚠ MISE EN GARDE** : pour réduire le risque d'endommagement de l'ouïe, portez des protecteurs d'oreilles quand vous utilisez l'aspirateur/la soufflante pendant de longues périodes ou quand vous l'utilisez dans un environnement bruyant.

1. Localisez l'orifice de soufflante de votre aspirateur.
2. Insérez le extrémité de connexion verrouillage du tuyau flexible dans l'orifice de soufflerie de l'aspirateur.
3. (En option) Attachez le tube de rallonge à l'extrémité pivotante du flexible, puis placez le suceur pour automobile sur le tube.
4. Allumez votre aspirateur et vous serez prêt à l'utiliser comme une soufflante.

# FONCTIONNEMENT (suite)

## Choix du filtre correct

**⚠ AVERTISSEMENT : pour réduire le risque d'endommagement de l'aspirateur, ne mettez pas le moteur en marche avec le flotteur en position élevée. Un filtre à cartouche doit être présent et être en position correcte pendant toutes les opérations d'aspiration pour empêcher les fuites de débris et l'endommagement possible du moteur de l'aspirateur.**

Il existe divers filtres qui sont disponibles pour les aspirateurs de liquides et de poussières WORKSHOP®. Vous devez choisir votre filtre en fonction de la tâche que vous effectuez alors. Tous les filtres disponibles ne sont pas inclus avec chaque modèle, mais ils peuvent être achetés suivant les besoins auprès de détaillants revendeurs d'aspirateurs de liquides et de poussières WORKSHOP ou en vous rendant sur le site [www.WORKSHOPvac.com](http://www.WORKSHOPvac.com).

### Liste des filtres disponibles :

#### 1. Filtres à cartouche en papier accordéon

- a. Les filtres à cartouche en papier accordéon incluent les numéros de catalogue suivants :  
WS21200F (saletés ordinaires)  
WS22200F (poussières fines) et  
WS23200F (filtres à très haute efficacité).
- b. Chacun de ces filtres à cartouche en papier accordéon est conçu pour nettoyer des débris secs, mais il est néanmoins possible d'attirer un peu de liquide sans endommager le filtre. Si le filtre est maintenu en bon état, un peu de liquide ne causera pas de dommage au filtre. Lorsque vous aspirez beaucoup de liquide, le filtre à cartouche en papier accordéon deviendra saturé, de la buée apparaîtra peut-être près de l'orifice d'échappement de l'aspirateur et il se peut alors que le filtre soit endommagé. Après avoir utilisé l'aspirateur pour recueillir un peu de liquide, faites sécher soigneusement le filtre à cartouche en papier accordéon pour empêcher la présence de moisissures et pour éviter qu'il ne soit endommagé.

- c. Si vous utilisez votre aspirateur pour ramasser de la poussière très fine, vous devrez vider le tambour et nettoyer le filtre beaucoup plus fréquemment pour pouvoir maintenir la performance optimale de votre aspirateur.
- d. Voir la rubrique intitulée « Retrait et installation du filtre » pour obtenir des instructions sur la façon de changer le filtre à cartouche en papier accordéon.

#### 2. Filtre à cartouche pour applications humides

- a. Le filtre à cartouche pour applications humides disponible a le numéro de catalogue WS24200F.
- b. Ce filtre à cartouche pour applications humides est conçu pour nettoyer les liquides et les débris humides seulement. Il ne doit PAS être utilisé pour ramasser des débris secs.
- c. Pour maintenir la performance optimale du filtre, rincez soigneusement avec de l'eau après chaque emploi.
- d. Voir la rubrique intitulée « Retrait et installation du filtre » pour obtenir des instructions sur la façon de changer le filtre à cartouche pour applications humides.

#### 2. Sacs de collecte de poussière

- a. Le sac de collecte de poussière disponible a le numéro de catalogue WS32090F.
- b. Le sac de collecte de poussière n'est conçu QUE pour le ramassage des débris secs.
- c. Si les débris ramassés sont humides, le sac absorbera l'humidité et risquera ainsi de se détériorer très vite, ce qui le rendra inutilisable.
- d. Si vous utilisez votre aspirateur pour ramasser de la poussière fine, le sac de collecte de poussière rendra le nettoyage plus facile.

**Remarque :** les sacs de collecte de poussière doivent être utilisés conjointement avec un filtre à cartouche en papier accordéon.

- e. Des instructions pour l'installation et le retrait des sacs de collecte de poussière sont imprimées sur les sacs.

## Filter

**⚠ AVERTISSEMENT :** ne faites pas fonctionner sans la cage du filtre et le flotteur étant donné qu'ils empêchent l'entrée de liquide dans la roue et protègent ainsi le moteur contre les dommages pouvant en résulter. Pour le ramassage de matériaux secs, n'utilisez pas l'aspirateur sans que le filtre ne soit à sa place afin de réduire le risque d'endommagement du moteur.

## Retrait et installation du filtre

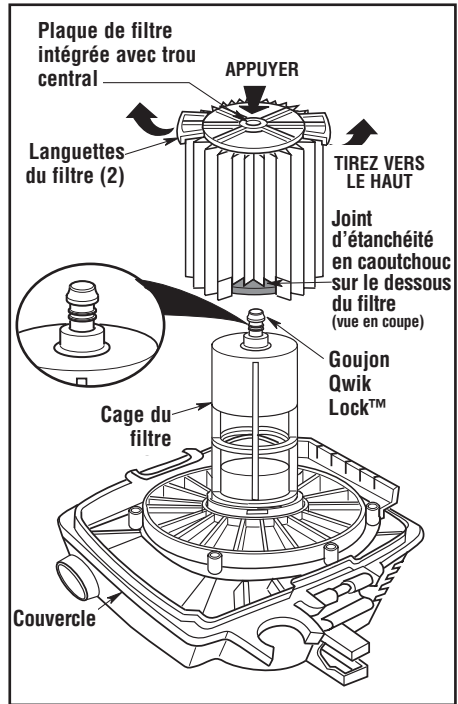
### Retrait du filtre :

1. Saisissez les deux languettes du filtre Qwik Lock™, une dans chaque main.
2. Placez un pouce sur le goujon Qwik Lock™, qui dépasse de la plaque de filtre intégrée, tirez sur les languettes du filtre et appuyez en même temps sur le goujon.
3. Cette action aura pour effet que le filtre sera relâché de la cage du filtre. Faites glisser le filtre pour le sortir de la cage.

### Installation du filtre :

1. Faites glisser délicatement le filtre Qwik Lock™ par-dessus la cage du filtre et appuyez sur le bord extérieur du filtre jusqu'à ce que le joint d'étanchéité en caoutchouc sur le dessous du filtre soit solidement installé autour de la base de la cage du filtre et contre le couvercle.
2. Alignez le petit trou central sur le dessus du filtre au-dessus du goujon Qwik Lock™ sur la cage du filtre. Appuyez fermement sur le dessus du filtre, à proximité du goujon, pour permettre au filtre de s'emboîter sur l'embout sphérique du goujon. Le filtre est maintenant installé.

**REMARQUE :** si vous n'installez pas correctement le joint d'étanchéité du dessous, il est possible que des débris passent à côté du filtre.



**REMARQUE :** le filtre est fait de matériau de qualité élevée conçu pour intercepter les petites particules de poussière. Le filtre peut être utilisé pour l'aspiration de débris solides ou liquides. Manipuler le filtre avec précaution lors de son nettoyage ou de son installation. Les plis du filtre peuvent être froissés pendant l'installation, mais cela n'aura aucune influence sur la performance du filtre.

## Nettoyage d'un filtre sec

**REMARQUE** : pour obtenir les meilleurs résultats lors du nettoyage après l'accumulation de poussière, nettoyer le filtre dans un endroit non clos. Le nettoyage DOIT être effectué à l'extérieur – pas dans des locaux d'habitation.

1. Le retrait de certains débris secs peut être accompli sans enlever le filtre de l'aspirateur. Donner un coup avec la main sur la partie supérieure du couvercle pendant que l'aspirateur est à l'arrêt.
2. Retirer le filtre de l'aspirateur. Tapoter doucement le filtre contre la paroi intérieure du tambour à poussière. Les débris se détacheront et tomberont.
3. Pour effectuer un nettoyage complet du filtre sec lorsqu'il est couvert de particules très fines (pas de débris), faire couler de l'eau à travers le filtre comme indiqué sous la rubrique « Nettoyage d'un filtre humide ».

## Nettoyage d'un filtre humide

Une fois le filtre retiré, faites couler de l'eau au travers du filtre depuis un tuyau flexible ou un robinet. Veillez à ce que la pression de l'eau sortant du tuyau d'arrosage ne soit pas si forte qu'elle pourrait endommager le filtre. Laissez sécher le filtre avant de le réinstaller et de ranger l'aspirateur.

## Nettoyage et désinfection de l'aspirateur de liquides et de poussières

Pour conserver l'esthétique optimale de votre aspirateur de poussières et de liquides, nettoyez la surface extérieure de l'aspirateur à l'aide d'un chiffon imbibé d'eau tiède savonneuse.

Procédure de nettoyage du tambour :

1. Vider les débris.
2. Nettoyez soigneusement le tambour à poussière à l'aide d'un savon doux et d'eau tiède.
3. Essuyer avec un chiffon sec.

Avant de ranger l'aspirateur pour une période prolongée, ou dans les cas nécessaires (par exemple après l'aspiration d'eaux usées), vous devez désinfecter le tambour.

Pour désinfecter le tambour :

1. Versez un gallon (presque 4 litres) d'eau et une cuillerée à thé de produit à blanchir à l'eau de javel dans le tambour.
2. Laissez la solution agir pendant 20 minutes, en remuant doucement de temps à autre pour vous assurer que toutes les surfaces du tambour restent humides.
3. Videz le tambour au bout de 20 minutes. Rincez à l'eau jusqu'à ce que l'odeur d'eau de javel ait disparu. Laissez sécher le tambour complètement avant de sceller le moteur sur le tambour.
4. Après avoir été utilisé, l'aspirateur de liquides et de poussières monté sur le mur peut être rangé sur le support mural comme cela est décrit à la page 8.

## Cordon d'alimentation

Lorsque vous ne vous servez pas de votre aspirateur de liquides et de poussières à montage mural, il faut le débrancher de la prise de courant. La longueur excédentaire de cordon doit être rembobinée sur le support de rangement du tuyau.

Si le cordon est endommagé, il doit être remplacé par le fabricant ou son représentant, ou par une autre personne ayant les compétences techniques nécessaires, afin de réduire le risque d'accident.

**▲ AVERTISSEMENT** : Pour assurer la **SÉCURITÉ** et la **FIABILITÉ** des produits, toutes les autres opérations d'entretien, de réparation et de réglage doivent être effectuées par des centres de service après-vente agréés, en utilisant toujours des pièces de rechange **WORKSHOP**.

# GARANTIE LIMITÉE WORKSHOP®

La présente garantie limitée est offerte par Emerson Tool Company, une division d'Emerson Electric Co., établie à l'adresse indiquée ci-dessous (« **ETC** » ou « **nous** » ou « **notre** » ou « **nos** ») et elle s'applique à nos aspirateurs de liquides et de poussières de la marque WORKSHOP (collectivement, le « **Produit WORKSHOP®** »).

En cas de questions, ou si vous avez besoin d'assistance en ce qui concerne la garantie de votre Produit WORKSHOP, veuillez contacter le Département du service à la clientèle d'ETC pour les produits WORKSHOP au numéro d'appel gratuit ou à l'adresse figurant ci-dessous.

## Garantie limitée WORKSHOP®

ETC, établie au 8100 W Florissant Ave., St. Louis, MO 63136, offre la garantie limitée suivante à l'acheteur original exclusivement (« **vous** » ou « **vous** ») sous réserve des exclusions décrites ci-dessous : votre Produit WORKSHOP ne comportera aucun défaut de matériau ou de fabrication en cas d'utilisation dans des conditions normales conformément aux dispositions du Mode d'emploi qui vous a été fourni avec le Produit WORKSHOP pendant une période de cinq (5) ans à compter de la date d'achat d'origine (la « **Période de garantie** »). La présente garantie limitée cesse de produire des effets si l'acheteur original cède le Produit WORKSHOP à une autre personne physique ou morale.

## Ce qui n'est pas couvert - Exclusions de la garantie

La présente garantie limitée ne couvre pas et exclut expressément :

- L'usure normale et/ou les accessoires ou éléments amovibles tels que, sans toutefois s'y limiter, les cordons d'alimentation, les tuyaux flexibles, les filtres et tous autres accessoires ou éléments amovibles que nous pouvons mettre en vente pour emploi avec le Produit WORKSHOP.
- L'endommagement ou le claquage du moteur du Produit WORKSHOP causé par le fait qu'un blocage intervenu dans le cadre d'une utilisation normale n'aurait pas été éliminé.
- La destruction ou l'endommagement du Produit WORKSHOP pour des raisons au-delà du contrôle d'ETC, y compris, sans toutefois s'y limiter, un emploi inapproprié, un accident, une utilisation abusive, de la négligence, une faute (commise par une partie autre qu'ETC), un emploi excessivement intensif allant au-delà de la capacité nominale indiquée dans votre Mode d'emploi, ou des modifications ou des altérations effectuées par toute partie autre qu'ETC.
- La destruction ou l'endommagement du Produit WORKSHOP résultant du fait que le Produit WORKSHOP n'a pas été utilisé conformément aux instructions écrites, aux directives ou aux conditions générales énoncées dans le mode d'emploi.

## Procédures de notification et de réclamation dans le cadre de la garantie limitée

Si, pendant la Période de garantie qui vous est applicable, vous découvrez que votre Produit WORKSHOP comporte un défaut qui, selon vous, est couvert par la présente garantie limitée, vous devez contacter le Département du service à la clientèle d'ETC pour les produits WORKSHOP au (888) 455-8724 entre les heures de 8h30 et de 16h30, Heure du Centre. Vous pouvez également contacter le Département du service à la clientèle d'ETC pour les Produits WORKSHOP à l'adresse courriel figurant dans votre mode d'emploi ou sur la page consacrée aux Produits WORKSHOP du site Internet d'ETC.

Pour que votre réclamation dans le cadre de la garantie puisse être traitée aussi rapidement que possible, nous vous suggérons de remplir la « Carte d'enregistrement » qui est mise à votre disposition sur la page consacrée aux Produits WORKSHOP du site Internet d'ETC à [www.WORKSHOPvacs.com](http://www.WORKSHOPvacs.com). Si vous décidez de ne pas enregistrer votre Produit WORKSHOP, pour pouvoir faire une réclamation dans le cadre de la garantie, vous devrez nous fournir une copie de votre reçu ou un autre justificatif d'achat montrant la date de l'achat afin de confirmer que votre réclamation est effectuée avant la fin de la Période de garantie et que vous êtes l'acheteur original.

# GARANTIE LIMITÉE WORKSHOP®

## Ce que nous ferons pour remédier aux problèmes

Après que vous aurez contacté le Département du service à la clientèle d'ETC pour les produits WORKSHOP en appliquant les procédures ci-dessus, ETC déclenchera la procédure d'application de la garantie, y compris une inspection physique, sous réserve des exclusions et en tenant compte de la Période de garantie indiquée aux présentes, afin de déterminer s'il convient de réparer ou de remplacer le Produit WORKSHOP ou de vous rembourser le prix d'achat.

La décision de réparer ou de remplacer votre Produit WORKSHOP ou de vous en rembourser le prix d'achat est à notre discrétion absolue. La réparation ou le remplacement d'un Produit par ETC pour votre bénéfice ne vous coûtera rien si vous bénéficiez de la couverture de la présente garantie limitée. La couverture fournie en vertu de la présente garantie limitée ne s'applique, à tout moment, que si l'acheteur original respecte les procédures ci-dessous concernant la notification et la réclamation dans le cadre de la garantie limitée.

Si votre réclamation est couverte en vertu de la présente garantie limitée, nous nous engageons, à notre discrétion absolue, (a) à réparer ou à remplacer la partie défectueuse de votre Produit WORKSHOP ou (b) à remplacer la totalité de votre Produit WORKSHOP. Si nous ne sommes pas en mesure de mettre à votre disposition un produit WORKSHOP réparé de façon adéquate ou un Produit WORKSHOP de rechange, nous vous fournissons un remboursement d'un montant égal au prix d'achat de votre Produit WORKSHOP ou un crédit que vous pourrez utiliser pour acheter un nouveau Produit WORKSHOP.

## Aucune autre garantie expresse ne s'applique

LES GARANTIES LIMITÉES FOURNIES CI-DESSUS SONT LES GARANTIES UNIQUES ET EXCLUSIVES FOURNIES PAR ETC À L'ACHETEUR ORIGINAL DU PRODUIT WORKSHOP, ET ELLE REMPLACE TOUTES LES AUTRES GARANTIES, ÉCRITES OU ORALES, EXPRESSES OU TACITES, QU'ELLES S'APPLIQUENT DE PLEIN DROIT OU AUTREMENT, Y COMPRIS, SANS TOUTEFOIS S'Y LIMITER, LES GARANTIES DE QUALITÉ MARCHANDE OU D'ADÉQUATION À UN BUT PARTICULIER, QUE LEDIT BUT AIT ÉTÉ DIVULGUÉ OU NON, ET QUE LE PRODUIT WORKSHOP AIT ÉTÉ CONÇU OU FABRIQUÉ SPÉCIFIQUEMENT POUR VOTRE EMPLOI OU POUR VOTRE BUT. LES REJETS DE GARANTIES TACITES, Y COMPRIS, SANS TOUTEFOIS S'Y LIMITER, LES GARANTIES TACITES DE QUALITÉ MARCHANDE ET D'ADÉQUATION À UN BUT PARTICULIER, N'ENTRERONT PAS EN VIGUEUR AVANT LA FIN DE LA PÉRIODE DE GARANTIE. Aucun employé, agent, distributeur ou autre personne n'est autorisé à altérer la présente garantie limitée ou à offrir une quelconque autre garantie au nom d'etc. Les dispositions de la présente garantie limitée ne peuvent être modifiées ni par ETC, ni par le propriétaire original, ni par leurs successeurs ou ayants droit respectifs.

## Limitation de responsabilité

DANS LA MESURE AUTORISÉE PAR LA LOI, ETC NE SAURAIT EN AUCUN CAS ÊTRE RESPONSABLE DE QUELCONQUES DOMMAGES ACCESSOIRES, SPÉCIAUX, INDIRECTS OU SECONDAIRES, Y COMPRIS UNE QUELCONQUE PERTE MONÉTAIRE, QUE CE SOIT EN CONSÉQUENCE D'UNE IMPOSSIBILITÉ DE FAIRE FONCTIONNER OU D'UTILISER LE PRODUIT WORKSHOP, D'UNE UTILISATION INAPPROPRIÉE, DE L'INCAPACITÉ D'UTILISER LE PRODUIT WORKSHOP OU DE FAUTE DE LA PART D'ETC. ETC NE SERAIT ÊTRE RESPONSABLE DE PRÉJUDICES CAUSÉS PAR UN RETARD D'EXÉCUTION ET, EN AUCUN CAS, QUELLE QUE SOIT LA FORME DE LA REVENDICATION OU LA CAUSE DE L'ACTION (QU'ELLE SOIT DE NATURE CONTRACTUELLE OU QU'ELLE RÉSULTE D'UNE VIOLATION, D'UNE CONTREFAÇON, D'UNE FAUTE, D'UNE NÉGLIGENCE, D'UN CAS DE RESPONSABILITÉ SANS FAUTE OU QU'ELLE AIT UNE AUTRE BASE DÉLICTEUELLE OU QUASI-DÉLICTEUELLE), LA RESPONSABILITÉ D'ETC ENVERS VOUS OU TOUTE PERSONNE UTILISANT LE PRODUIT WORKSHOP NE SAURAIT DÉPASSER LE PRIX PAYÉ PAR LE PROPRIÉTAIRE ORIGINAL POUR LE PRODUIT WORKSHOP. L'expression « dommages indirects » inclura notamment, sans toutefois s'y limiter, la perte de bénéfices attendus, l'interruption des affaires, la perte d'utilisation ou de revenus, le coût du capital ou la destruction ou l'endommagement de biens ou équipements.


Étant donné que certains États ou certaines provinces ne permettent pas l'exclusion ou la limitation de dommages indirects ou secondaires, il est possible que la limitation ci-dessus ne s'applique pas à vous.

La présente garantie limitée vous confère des droits légaux particuliers, et il est possible que vous bénéficiez d'autres droits qui varient d'un État à l'autre ou d'une province à l'autre.

# REPAIR PARTS (5 U.S. Gallon)

## ⚠ WARNING


### SERVICING OF DOUBLE-INSULATED WET/DRY VAC

In a double-insulated Wet/Dry Vac, two systems of insulation are provided instead of grounding. No grounding means is provided on a double-insulated appliance, nor should a means for grounding be added. Servicing a double-insulated Wet/Dry Vac requires extreme care and knowledge of the system, and should be done only by qualified service personnel. Replacement parts for a double-insulated Wet/Dry Vac must be identical to the parts they replace. Your double-insulated Wet/Dry Vac is marked with the words "DOUBLE INSULATED" and the symbol  (square within a square) may also be marked on the appliance.

To reduce the risk of injury from electrical shock, unplug power cord before servicing the electrical parts of the Wet/Dry Vac.

## ⚠ ADVERTENCIA


### SERVICIO DE AJUSTES Y REPARACIONES DE UNA ASPIRADORA PARA MOJADO/SECO CON AISLAMIENTO DOBLE

En una aspiradora para mojado/seco con aislamiento doble se proporcionan dos sistemas de aislamiento en vez de conexión a tierra. No se proporciona ningún medio de conexión a tierra en un aparato electrodoméstico con aislamiento doble, ni se debe añadir a éste ningún medio de conexión a tierra. El servicio de ajustes y reparaciones de una aspiradora para mojado/seco con aislamiento doble requiere extremado cuidado y conocimiento del sistema, y debe ser realizado únicamente por personal de servicio competente. Las piezas de repuesto para la aspiradora para mojado/seco con aislamiento doble deben ser idénticas a las piezas que reemplazan. La aspiradora para mojado/seco con aislamiento doble está marcada con las palabras "DOUBLE INSULATED" (con aislamiento doble) y puede que el símbolo  (un cuadrado dentro de un cuadrado) también esté marcado en los aparatos.

Para reducir el riesgo de lesiones por causa de descargas eléctricas, desenchufe el cordón de energía antes de hacer servicio de ajustes y reparaciones a las piezas eléctricas de la aspiradora para mojado/seco.

## ⚠ AVERTISSEMENT

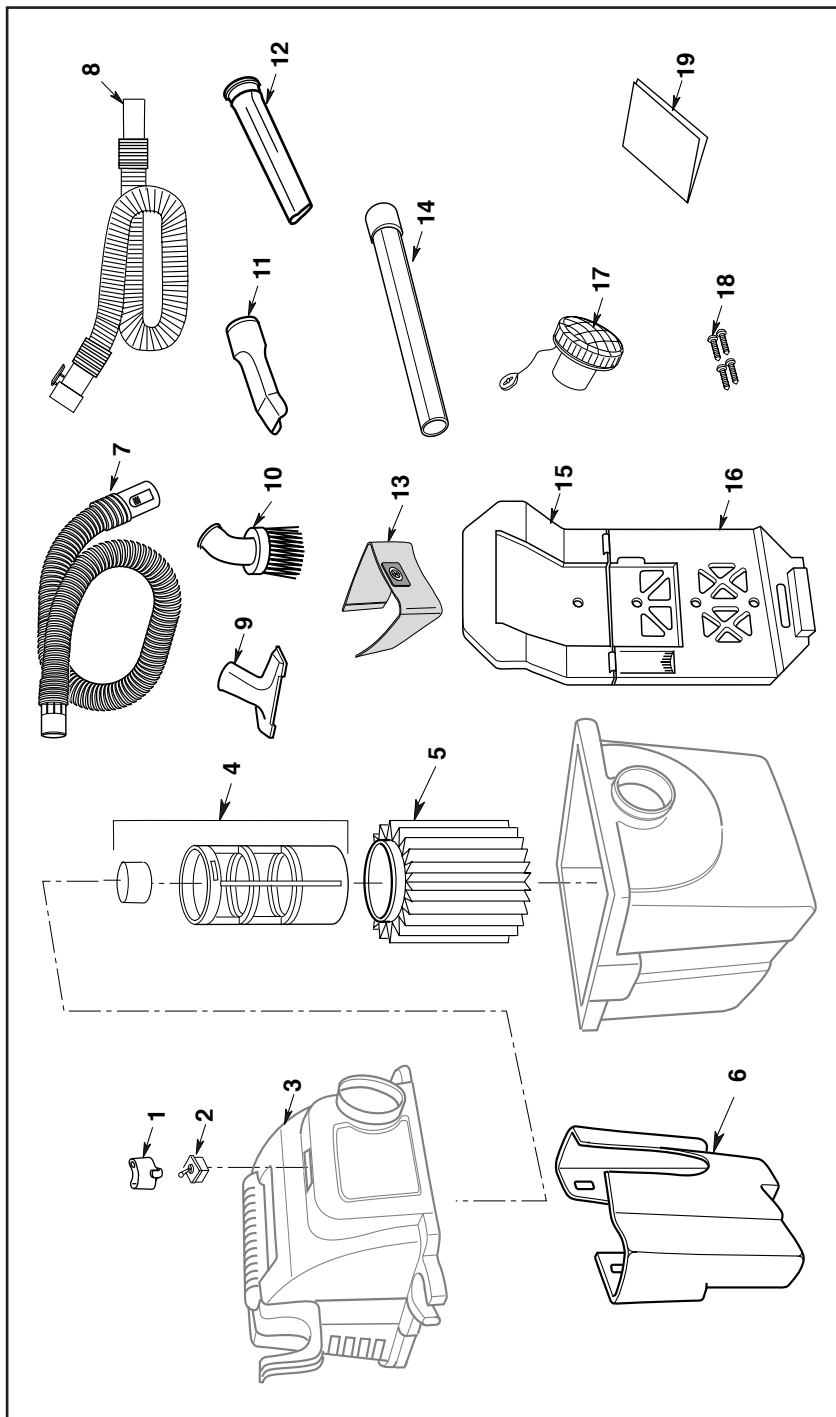
### RÉPARATION DE L'ASPIRATEUR DE LIQUIDES ET DE POUSSIÈRES DOUBLEMENT ISOLÉ

Dans un aspirateur de liquides et de poussières doublement isolé, deux systèmes d'isolation sont fournis au lieu de la mise à la terre. Aucun moyen de mise à la terre n'est prévu sur un appareil électro-ménager doublement isolé, et il ne faut pas en ajouter. La réparation d'un aspirateur de liquides et de poussières doublement isolé nécessite une connaissance approfondie du système et la prise de précautions extrêmes. Une telle réparation ne doit être entreprise que par un technicien agréé. Les pièces de rechange pour un aspirateur de liquides et de poussières doublement isolé doivent être les mêmes que les pièces qu'elles remplacent. Les mots « DOUBLE INSULATED » (Doublement isolé) figurent sur l'aspirateur de liquides et de poussières doublement isolé, et le symbole  (un carré à l'intérieur d'un autre carré) peut également figurer sur les appareils.

Pour réduire le risque de blessures causées par les chocs électriques, débranchez le cordon d'alimentation avant de réparer les éléments électriques de l'aspirateur de liquides et de poussières.

# REPAIR PARTS (5 U.S. Gallon)

5 U.S. Gallon Wall Mounted Wet/Dry Vac  
Model Number: WS0500WMO  
[www.WORKSHOPVacs.com](http://www.WORKSHOPVacs.com)





## 5 U.S. Gallon Wall Mounted Wet/Dry Vac

Model Number: WS0500WMO

www.WORKSHOPVacs.com

Always order by Part Number - Not by Key Number

Key No.	Part Number	Description	Descripción	Description
1	830564-2	Actuator, Switch	Accionador del interruptor	Actionneur d'interrupteur
2	73180	Switch, Toggle	Interruptor de palanca	Interrupteur à bascule
3	831111-2	Handle, Carry	Asa de transporte	Poignée de transport
4	510205	Filter Cage Assembly	Ensamblaje de la jaula del filtro	Assemblage de la cage du filtre
5	WS21200F	Qwik Lock™ Filter	Filtro Qwik Lock™	Filtre Qwik Lock™
6	831115-1	Accessory Storage Bin	Recipiente de almacenamiento de accesorios	Casier de rangement des accessoires
7	830673	14' Locking Hose	Manguera de fijación de 14 pies	Tuyau flexible verrouillable de 14 pieds
8	WS17821A	7' Expandable Locking Hose	Manguera de fijación expansible de 7 pies	Tuyau flexible verrouillable extensible de 7 pieds
9	WS17809A	Utility Nozzle	Boquilla utilitaria	Suceur à usages multiples
10	WS17801A	Dusting Brush	Cepillo para polvo	Brosse de dépolissage
11	WS17803A	Car Nozzle	Boquilla para auto	Suceur pour véhicules
12	WS17802A	Crevice Tool	Boquilla rinconera	Suceur plat
13	WS32090F	Dust Collection Bag	Bolsa de recolección de polvo	Sac de collecte de poussière
14	WS17808A	Extension, Wand	Tubo extensor	Baguette de rallonge
15	831114	Storage Upper Rack	Bastidor superior de almacenamiento	Support de rangement supérieur
16	831113	Storage Lower Rack	Bastidor inferior de almacenamiento	Support de rangement inférieur
17	830675-1	Diffuser	Diffusor	Diffuseur
18	820563-12	* #10 - 1-3/4 Screws	* Tornillos para madera No. 10 de 1-3/4	* Vis à bois N° 10 de 1 3/4 po
19	SP6855	Owner's Manual	Manual del usuario	Mode d'emploi

\* Standard Hardware Item - May Be Purchased Locally.

\* Artículo de herrajes estándar. Se puede comprar localmente.

\* Article standard - Peut être acheté localement.

**THIS PAGE INTENTIONALLY LEFT BLANK**

**THIS PAGE INTENTIONALLY LEFT BLANK**



**EMERSON™**  
**Commercial & Residential Solutions**

© 2015 Emerson

Part No. SP6855

Form No. SP6855-3

Printed in Mexico 05/15

This manual was downloaded from

# wet-dry-vac.com

The most comprehensive source of information about wet/dry shop vacuums on the Internet!

Wet-dry-vac.com allows you to learn about how to purchase a wet/dry vac, compare and review detailed specifications on hundreds of models, and find compatible filters.

You can also view manuals, parts lists and brochures for hundreds of models. Plus, you can find the best prices for vacuums and filters, and purchase online right from the site.

