



## Operator's Manual



### Wet/ Dry Vacuum Detachable Blower

14 Gallon

Model No. **VBV1412P**

#### FOR YOUR SAFETY

Read and understand this manual before use.

Keep this manual for future reference.



3084514  
CONFORMS TO UL  
STD.No.1017  
Certified to CSA STD.  
C22.2 No.243-01

www.vacmaster.com  
Cleva North America  
44 Parkway Commons, Greer, SC 29650

Part No. VR09BZ.20.00.01

# TABLE OF CONTENTS

SECTION	Page
Warranty.....	2
Safety Instructions and Warnings.....	2
Double Insulation Instructions.....	3
Extension Cord.....	4
Unpacking and Checking Carton Contents.....	5
General Assembly Instructions.....	6
Dry Vacuum Operation.....	7
Liquid Vacuum Operation.....	8
Blowing Operation.....	9
Maintenance.....	9
Installing & Cleaning Cartridge Filter.....	10
Installing & Cleaning Foam Sleeve Filter.....	11
Troubleshooting.....	11
Exploded View and Parts List.....	12

**Thank you for purchasing this Vacmaster® wet/dry vacuum cleaner. Feel confident that with Vacmaster® you are obtaining a high quality product engineered for optimal performance. This vacuum is capable of picking up liquids and dry materials.**

**FOR YOUR SAFETY CAREFULLY READ AND UNDERSTAND ALL INSTRUCTIONS**

## WARRANTY

We take pride in producing a high quality, durable product. This **Vacmaster®** product carries a limited three (3) year warranty against defects in workmanship and materials from date of purchase under normal household use. If product is to be used for commercial, industrial or rental use, a 90 day limited warranty will apply. Warranty does not apply to defects due to direct or indirect abuse, negligence, misuse, accidents, repairs or alterations and lack of maintenance. Please keep your receipt as proof of purchase. This warranty gives you specific legal rights. For product service call Customer Service at 866- 384-8432.

## SAFETY I NSTRUCTIONS & WARNINGS

### IMPORTANT SAFETY INSTRUCTIONS

#### **READ AND UNDERSTAND ALL INSTRUCTIONS BEFORE USING THIS VACUUM**

Read and understand this owner's manual and all labels on the Wet/Dry Vacuum cleaner before operating. Safety is a combination of common sense, staying alert and knowing how your vacuum works. Use this Wet/Dry Vac only as described in this manual. To reduce the risk of personal injury or damage to your Wet/Dry Vac, use only **Vacmaster®** recommended accessories.

Household Type

**SAVE THIS MANUAL FOR FUTURE REFERENCE.**

**When using an electrical appliance, basic precautions should always be followed including the following:**

## **WARNING: TO REDUCE THE RISK OF FIRE, ELECTRIC SHOCK OR INJURY:**

- Do not run vac unattended.
- Do not vacuum, or use this Wet/Dry Vac near flammable liquids, gases, or explosive vapors like gasoline or other fuels, lighter fluids, cleaners, oil-based paints, natural gas, hydrogen, or explosive dusts like coal dust, magnesium dust, grain dust, or gun power. Sparks inside the motor can ignite flammable vapors or dust.
- Do not vacuum anything that is burning or smoking, such as cigarettes, matches, or hot ashes.
- Keep cord away from heated surfaces.
- Do not expose to rain. Store indoors.
- Do not unplug by pulling on cord. To unplug, grasp the plug, not the cord.
- Do not use with damaged cord, plug or other parts.
- If appliance is not working as it should, has been dropped, damaged, left outdoors, or dropped into water, return it to a service center.
- Do not pull or carry by cord, use cord as handle, close a door on cord, or pull cord around sharp edges or corners.
- Do not run Wet/Dry Vac over cord.
- Do not handle plug or the Wet/Dry Vac with wet hands.
- To reduce the risk of health hazards from vapors or dusts, do not vacuum toxic materials.
- Do not use or store near hazardous materials.
- Do not use this Wet/Dry Vac with a torn filter or without the filter installed except when vacuuming liquids as described in the operation section of this manual.
- Do not allow to be used as a toy. Close attention is necessary when used by or near children.
- To reduce the risk of injury from accidental starting, unplug power cord before changing or cleaning filter.
- Do not leave Wet/Dry Vac unattended when plugged in. Unplug from outlet when not in use and before servicing.
- Turn off Wet/Dry Vac before unplugging.
- Do not put any object into ventilation openings. Do not vacuum with any ventilation openings blocked; keep free of dust, lint, hair or anything that may reduce air flow.
- Keep hair, loose clothing, fingers, and all parts of body away from openings and moving parts.
- To reduce the risk of falls, use extra care when cleaning on stairs.

### **When using as blower:**

- Direct air discharge only at work area.
- Do not use Wet/Dry Vac as a sprayer.
- Do not direct air at bystanders.
- Keep children away when blowing.
- Use safety goggles.

## **DOUBLE INSULATION INSTRUCTIONS**

This Wet/Dry Vac is double-insulated, eliminating the need for a separate grounding system. Use only identical replacements parts. Read the instructions for Servicing Double-Insulated Wet/Dry Vacs before servicing. Use this Wet/Dry Vac as described in this manual. Observe the following warnings that appear on the motor housing of your Wet/Dry Vac.




**DOUBLE INSULATED - GROUNDING NOT REQUIRED - WHEN SERVICING USE ONLY IDENTICAL REPLACEMENT PARTS.**

**WARNING: TO REDUCE THE RISK OF ELECTRIC SHOCK-DO NOT EXPOSE TO RAIN. STORE INDOORS.**

**WARNING: FOR YOUR OWN SAFETY, READ AND UNDERSTAND OPERATOR'S MANUAL. DO NOT RUN UNATTENDED. DO NOT PICK UP HOT ASHES, COALS, TOXIC, FLAMMABLE OR OTHER HAZARDOUS MATERIALS, DO NOT USE AROUND EXPLOSIVE LIQUIDS OR VAPORS.**

**CAUTION:**

- Do not vacuum drywall dust or fireplace soot or ash with standard Wet/Dry filter. This is a very fine dust which will not be captured by the filter and may cause damage to motor. When vacuuming fine dust use a fine dust filter (sold separately).

**WARNING: SERVICING OF DOUBLE-INSULATED WET/DRY VACUUM WITH A DOUBLE-INSULATED WET/DRY VACUUM, TWO SYSTEMS OF INSULATION ARE PROVIDED INSTEAD OF GROUNDING. NO GROUNDING MEANS IS PROVIDED ON A DOUBLE-INSULATED APPLIANCE, NOR SHOULD A MEANS FOR GROUNDING BE ADDED. SERVICING A DOUBLE INSULATED WET/DRY VACUUM REQUIRES EXTREME CARE AND KNOWLEDGE OF THE SYSTEM, AND SHOULD BE DONE ONLY BY QUALIFIED SERVICE PERSONNEL. REPLACEMENT PARTS FOR A DOUBLE-INSULATED WET/DRY VACUUM MUST BE IDENTICAL TO THE PARTS THEY REPLACE. YOUR DOUBLE-INSULATED WET/DRY VAC IS MARKED WITH THE WORDS 'DOUBLE INSULATED' AND THE SYMBOL  (SQUARE WITHIN A SQUARE) MAY ALSO BE MARKED ON THE APPLIANCE.**

- To reduce the risk of electric shock-unplug before cleaning or servicing.
- DO NOT use without filters in place.

**CAUTION: TO REDUCE THE RISK OF INJURY FROM MOVING PARTS- UNPLUG BEFORE SERVICING.**

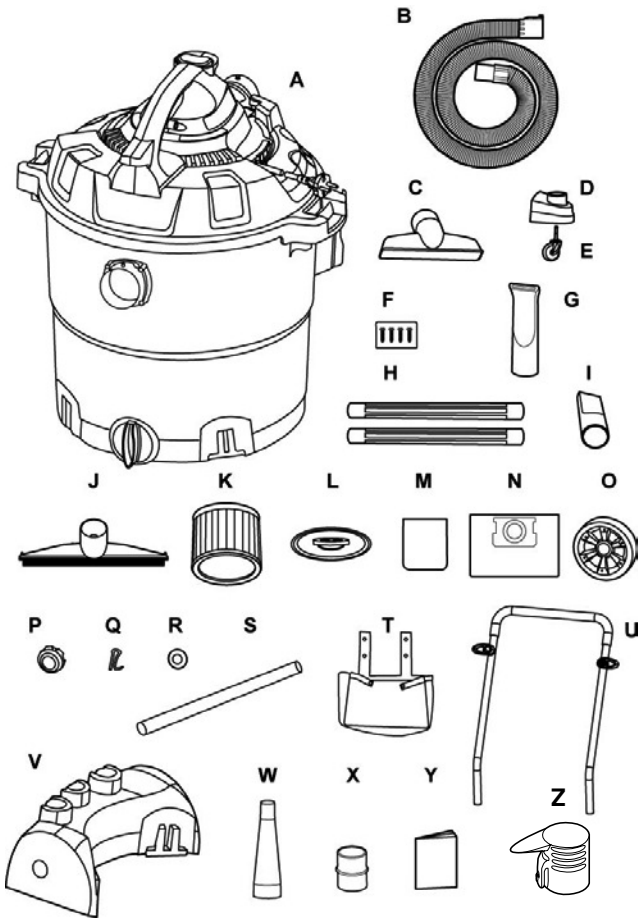
# EXTENSION CORDS

When using an extension cord with your Wet/Dry Vac refer to the following table to determine the required A.W.G. wire size. Before using the cleaner make sure the power cord and extension cord are in good working conditions. Make repairs or replacements before using the vacuum cleaner. Only use extension cords that are rated for outdoor use.

	Length of Extension Cord			
	25 Feet 7.5 Meter	50 Feet 15.25 Meters	100 Feet 30.5 Meters	150 Feet 45.7 Meters
110V-120V				
Amps	A.W.G Wire Size			
0-6	18	16	16	14
7-10	18	16	14	12
11-12	16	16	14	12
13-16	14	12	Not recommended	

# UNPACKING AND CHECKING CARTON CONTENTS

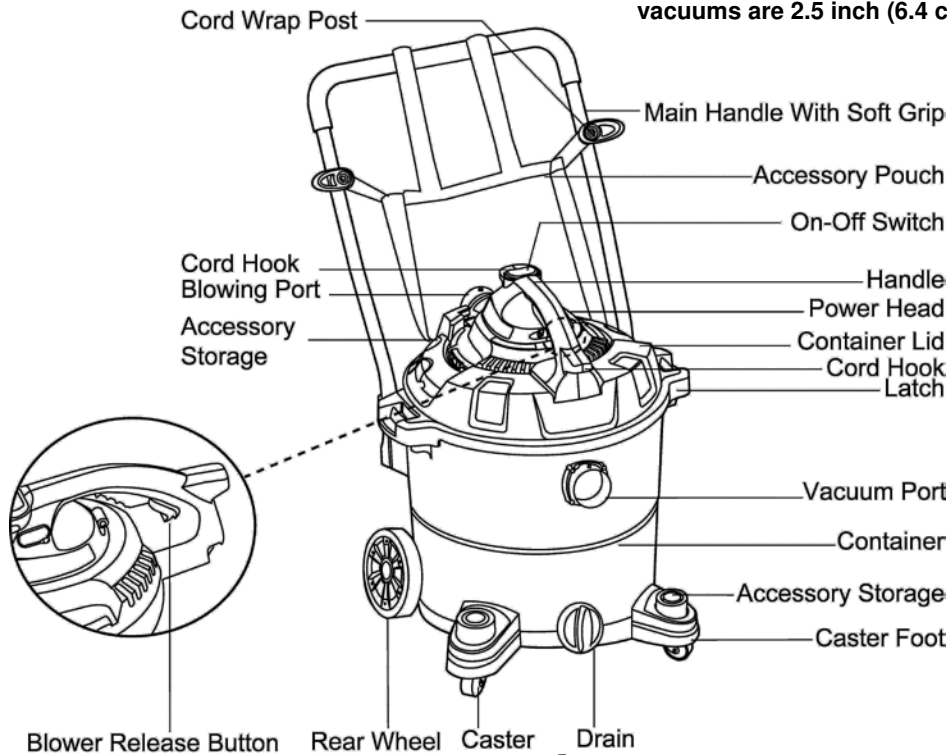
Remove entire contents of carton. Check each item against the carton contents list.



## Carton contents lists

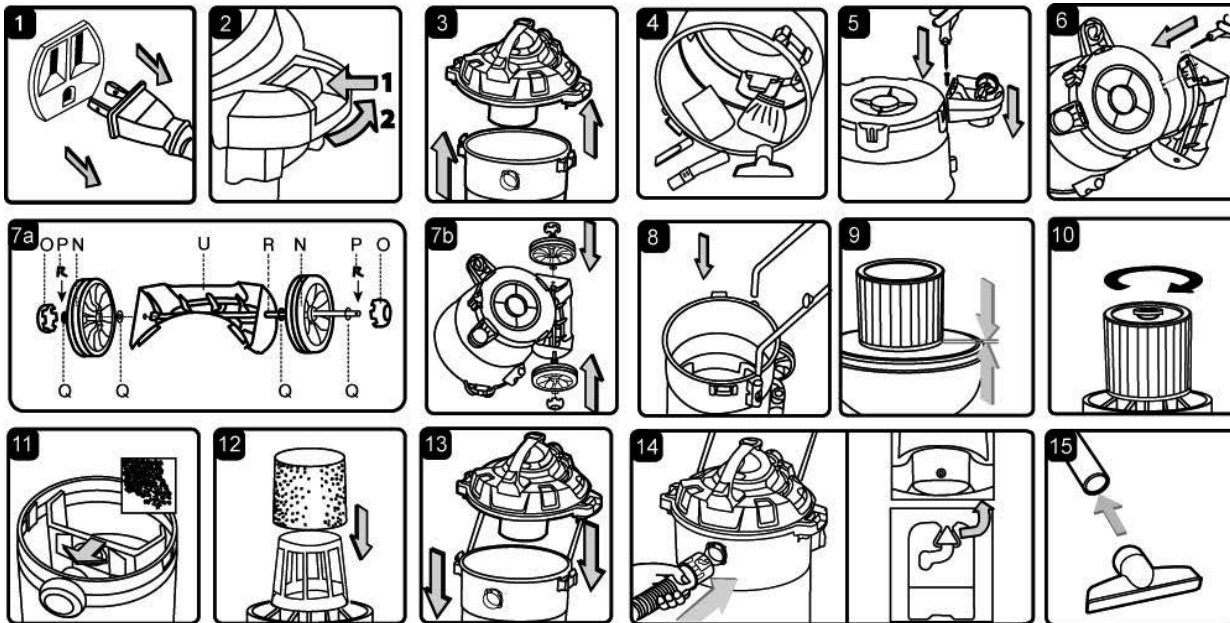
Key	Description.....	QTY
A	Vac Assembly.....	1
B	Hose.....	1
C	Utility Nozzle.....	1
D	Caster Foot W/Accessory Storage.....	2
E	Casters.....	2
F	4 Screws (Bag).....	1
G	Car Nozzle.....	1
H	Extension Wands.....	2
I	Crevice Nozzle.....	1
J	Floor Squeegee.....	1
K	Cartridge Filter.....	1
L	Filter Retainer.....	1
M	Foam Sleeve.....	1
N	Dust Collection Bag.....	1
O	Rear Wheel.....	2
P	Hub Cap.....	2
Q	'R' (Lock Pin).....	2
R	Washer.....	4
S	Wheel Shaft.....	1
T	Accessory Pouch.....	1
U	Push/Pull Handle.....	1
V	Rear Support Block.....	1
W	Blower Nozzle.....	1
X	Blower Adaptor.....	1
Y	Operator's Manual.....	1
Z	Noise Diffuser.....	1

**NOTE:** The hose and accessories for these vacuums are 2.5 inch (6.4 cm) diameter.



# GENERAL ASSEMBLY INSTRUCTIONS

A Philips head screw driver is required. 




**WARNING: DO NOT PLUG IN POWER CORD TO POWER OUTLET, MAKE SURE PLUG IS DISCONNECTED BEFORE ASSEMBLING THE WET/DRY VAC.**

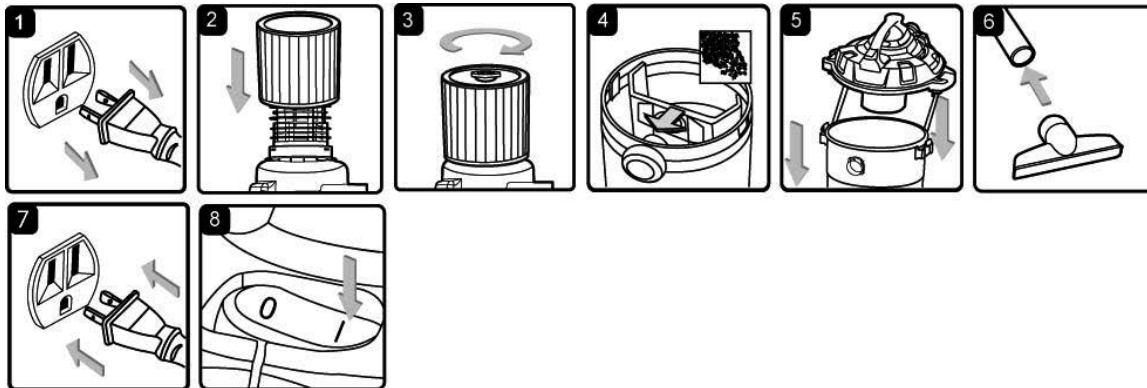
## UNPACKING YOUR WET/DRY VACUUM & GENERAL ASSEMBLY

1. Verify that the power cord is disconnected from the outlet. (fig. 1)
2. Undo the latches. (fig. 2)
3. Lift the power head off the container. (fig. 3)
4. Remove the contents from inside the container, make sure you have all contents as listed on page 5. (fig. 4)
5. Turn the container upside down and insert the two caster feet into the front slots on the container and tighten with supplied screws. Verify that the casters are mounted correctly. Do not over-tighten screw. (fig. 5)
6. Insert the rear support block (U) and secure with the supplied screws. Verify that they are mounted correctly. Do not over-tighten screws. (fig. 6)
7. Insert the wheel shaft (R) into the rear support block (U). Insert washer (Q) onto the shaft followed by rear wheel (N) and insert washer again. Insert the 'R' locking pin (P) into the hole on the end of the shaft to lock the wheel. Snap the hub cap (O) on to the wheel. Repeat the same steps at the other end of the shaft. (fig. 7a & 7b)
8. Insert the push/pull main handle into the handle socket mounted on the tank body. Push down until the locking pins click in place. (fig. 8)
9. Your vacuum comes ready for dry vacuum cleaning. If cartridge filter is not installed refer to page 10 for filter installation. ( fig. 9 & 10 )
10. Optional, for improved dust filtering, fit collection bag flange onto the inlet stub, taking care not to damage the bag. (fig. 11)
11. For wet vacuum cleaning, install the supplied foam filter. (fig. 12) See page 11 for filter installation.
- 12.

## POLARIZED PLUG

To reduce the risk of electrical shock, this appliance has a polarized plug (one with the blade wider than the other). This plug will fit in a polarized outlet only one way. If the plug does not fit fully in the outlet, reverse the plug. If it still does not fit, contact a qualified electrician to install the proper outlet. Do not change the plug in any way. Double insulation  eliminates the need for the three wire grounded power cord and grounded power supply system.

# DRY-VACUUM OPERATION



## DRY VACUUM

**WARNING: BE SURE TO READ, UNDERSTAND, AND APPLY INFORMATION, ENTITLED 'SAFETY INSTRUCTIONS & WARNINGS'. DO NOT VACUUM IN AREAS WITH FLAMMABLE GASES, VAPORS, OR EXPLOSIVE DUSTS IN THE AIR. FLAMMABLE GASES OR VAPORS INCLUDE BUT ARE NOT LIMITED TO; LIGHTER FLUID, SOLVENT TYPE CLEANERS, OIL-BASE PAINTS, GASOLINE, ALCOHOL OR AEROSOL SPRAYS. EXPLOSIVE DUSTS INCLUDE BUT ARE NOT LIMITED TO; COAL, MAGNESIUM, GRAIN OR GUN POWDER. TO REDUCE THE RISK OF HEALTH HAZARDS FROM VAPORS OR DUST, DO NOT VACUUM TOXIC MATERIALS.**

1. Verify that the power cord is disconnected from the outlet. (fig. 1)
2. In order to prepare your vacuum for dry vacuuming, verify that the cartridge filter is securely mounted. With power head removed and in upside down position, make sure the filter is pushed in until it stops against the power head and the retainer is installed. (fig. 2 & 3) (Your Wet/Dry Vac comes with the cartridge filter pre-installed, if not, see page 10 for installation instructions.)
3. Optional, for improved dust filtering, fit collection bag flange onto the inlet stub, taking care not to damage the bag. (fig. 4)
4. Place the power head back on the container, and secure it in place using the latches. (fig. 5)

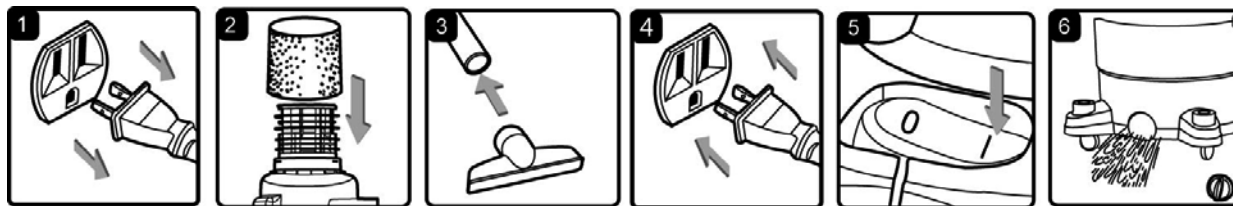
## OPERATING INSTRUCTIONS: DRY VACUUMING

6. Insert the locking end of the hose into the vacuum port and lock in place. Push the required attachment onto the free end of the hose or extension. (fig. 6)
7. Plug in the power cord into the outlet. (fig. 7)
8. Turn the motor on by flipping the switch to the 'I' ON position. (fig. 8)
9. Once you have completed vacuuming, flip the switch to the 'O' OFF position and unplug the power cord from the outlet.

O = OFF      I = ON

**DO NOT USE THE CARTRIDGE FILTER FOR LIQUID VACUUMING.**

# LIQUID VACUUM OPERATION



## LIQUID VACUUMING

**WARNING: BE SURE TO READ, UNDERSTAND, AND APPLY INFORMATION, ENTITLED 'SAFETY INSTRUCTIONS & WARNINGS'. DO NOT VACUUM IN AREAS WITH FLAMMABLE GASES, VAPORS, OR EXPLOSIVE DUSTS IN THE AIR. FLAMMABLE GASES OR VAPORS INCLUDE BUT ARE NOT LIMITED TO; LIGHTER FLUID, SOLVENT TYPE CLEANERS, OIL-BASE PAINTS, GASOLINE, ALCOHOL OR AEROSOL SPRAYS. EXPLOSIVE DUSTS INCLUDE BUT ARE NOT LIMITED TO; COAL, MAGNESIUM, GRAIN OR GUN POWDER. TO REDUCE THE RISK OF HEALTH HAZARDS FROM VAPORS OR DUST, DO NOT VACUUM TOXIC MATERIALS.**

**WARNING: DO NOT PLUG IN POWER CORD TO POWER OUTLET, MAKE SURE PLUG IS DISCONNECTED BEFORE ASSEMBLING THE WET/DRY VAC**

1. Verify that the power cord is disconnected from the outlet. Verify that the container is clean and free of dust and dirt. (fig. 1)
2. Remove cartridge filter, then carefully install the foam sleeve filter over the filter cage and place the power head back on the container. (fig. 2) See filter installing instructions on page 11.

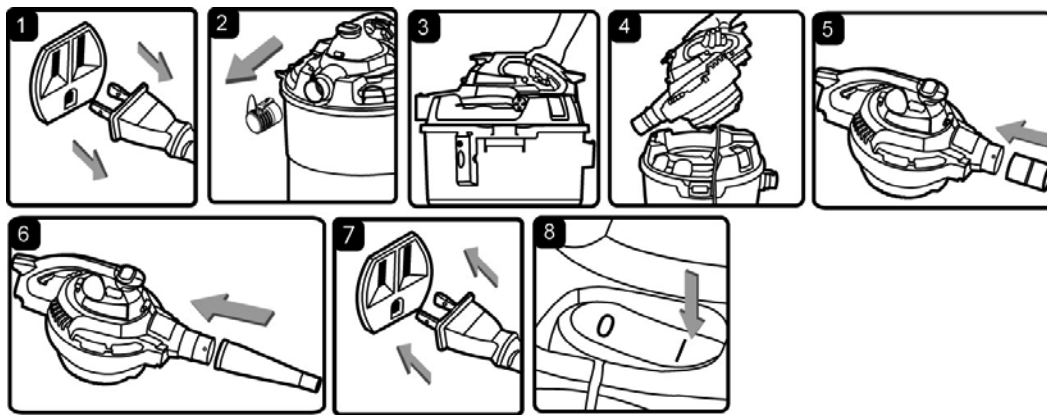
**DO NOT USE THE CARTRIDGE FILTER FOR LIQUID VACUUMING.**

### OPERATING INSTRUCTIONS – WET VACUUMING

3. Fit the desired nozzle to the vacuum hose. (fig. 3)
4. Verify that the switch is in the 'O' OFF position before plugging the power cord into the outlet. (fig. 4)
5. Turn the motor on by flipping the switch to the 'I' ON position. (fig. 5)
6. After use, empty the container by unscrewing the drain cap. Drain liquids into a suitable receptacle or drain. Remember to refit the drain cap to the container after draining container. (fig. 6)

**IMPORTANT!** When vacuuming large quantities of liquids, do not immerse the nozzle completely in the liquid; leave a gap at the tip of the nozzle opening to allow air inflow. The machine is fitted with a float valve that stops the suction action when the container reaches its maximum capacity. You will notice an increase in motor speed. When this happens, turn off the machine, disconnect from power supply, and drain the liquid into a suitable receptacle or drain. To continue vacuuming, refit the container with the drain cap. After wet vacuuming, turn the machine off and remove plug from power supply. Empty the container, clean and dry the inside and outside before storage.

**REMEMBER!** The foam filter must be removed after wet vacuuming, and a cartridge filter must be installed before dry vacuuming again.





This Wet/Dry Vac converts to a detachable blower that can be used for leaf blowing in yards, decks and patios. To use the detachable blower feature follow the instructions listed.

**WARNING: ALWAYS WEAR SAFETY GOGGLES COMPLYING WITH ANSI Z87.1 (OR IN CANADA, CSAZ94.3) BEFORE USING BLOWER.**

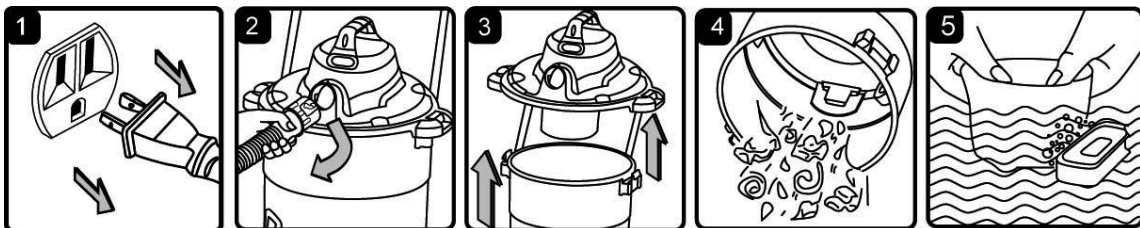
**CAUTION: TO REDUCE THE RISK OF HEARING DAMAGE, WEAR EAR PROTECTION WHEN USING THE VAC/BLOWER FOR EXTENDED HOURS OR WHEN USING IT IN NOISY AREAS.**

**WARNING: KEEP BYSTANDERS CLEAR FROM BLOWING DEBRIS.**

**WARNING: WEAR A DUST MASK IF BLOWING CREATES DUST THAT MIGHT BE INHALED.**

1. Verify that the power cord is disconnected from the outlet. (fig. 1)
2. Remove noise diffuser from the blower port. (fig. 2)
3. While squeezing the locking lever, lift the detachable blower from the vacuum lid. (fig. 3 & 4)
4. Insert the adaptor into the blowing port and fit it the desired extension wands and or nozzles. (fig. 5 & 6)
5. Ensure the power switch is turned off and plug into the power supply. (fig. 7)
6. Firmly hold the blower before turning it on. Turn the motor on by flipping the switch to the 'I' ON position. (fig. 8)

## MAINTENANCE

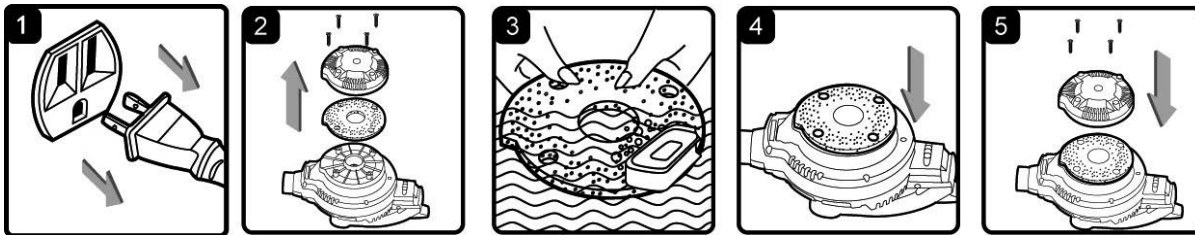


**WARNING! ALWAYS DISCONNECT THE PLUG FROM THE POWER OUTLET BEFORE REMOVING THE POWER HEAD FROM THE CONTAINER.**

1. Verify that the power cord is disconnected from the outlet. (fig. 1)
2. Disconnect the hose from the vacuum. (fig. 2)
3. Undo the latches and remove the power head from the container. (fig. 3)
4. Clear all dirt or debris from the container and hose. (fig. 4)
5. Clean the foam filter by washing it with water and mild soap. (fig. 5)

6. Check the hose, attachments, and power cord to verify that they have not been damaged.

## BLOWER INTAKE

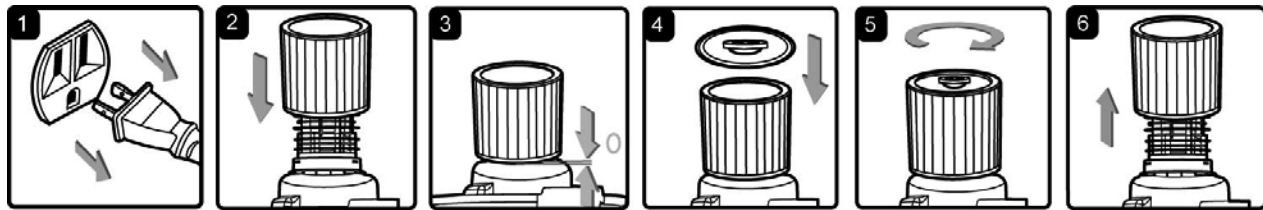


**WARNING! ALWAYS DISCONNECT THE PLUG FROM THE POWER OUTLET BEFORE REMOVING THE POWER HEAD FROM THE CONTAINER.**

After using the blower, examine the bottom of the blower for debris and blockages and remove if found. To clean the foam pad of the intake:

1. Verify that the power cord is disconnected from the outlet. (fig. 1)
2. Remove the four screws holding the intake shield and lift off the shield. (fig. 2)
3. Remove the foam pad from the blower and clean the foam pad with soapy water and allow to dry. (fig. 3)
4. Check the foam pad for reuse. If you need to replace the foam pad consult the parts list of the manual.
5. Replace the foam pad on to the blower aligning the wholes to the screw tabs. (fig. 4)
6. Reinstall the intake shield and the four screws. (fig. 5)

## INSTALLING & CLEANING CARTRIDGE FILTER



### Installing Cartridge Filter

1. Verify that the power cord is disconnected from the outlet. (fig. 1)
2. Remove power head and place in upside down position.
3. Install the cartridge filter over the filter cage with the flat end of the filter towards the vacuum power head. Carefully push filter in until it stops against the power head. (fig. 2 & 3)
4. Place filter retainer on top of cartridge filter over the raise lip and tighten down by turning retainer clockwise, do not over tighten. (fig. 4 & 5)

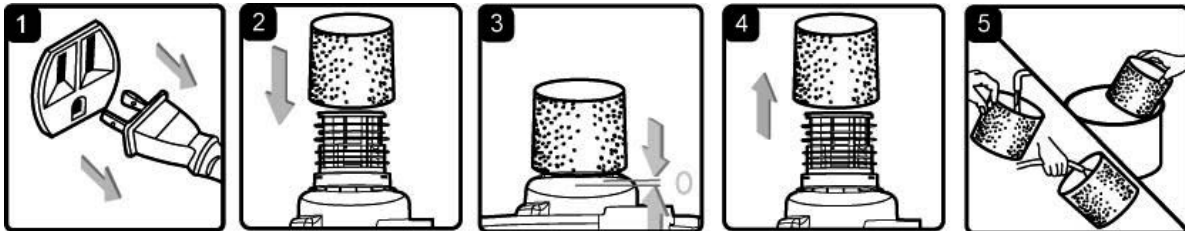
### Removing and Cleaning Cartridge Filter

1. Unlock and remove the filter retainer by tuning retainer handle counter clockwise.
2. Carefully hold and pull the cartridge filter up for removal. (fig. 6)
3. Clean the cartridge filter by gently tapping or brushing dirt off. Cleaning should not be done indoors in living areas. For optimal performance a new filter is recommended.
4. Install cleaned or new filter into place as instructed above in steps 2 and 3 of Installing Cartridge Filter.
5. Wet filters should be removed and allowed to air dry for 24 hours before installing onto the filter cage.

**IMPORTANT!** Clean or change the cartridge filter regularly for best performance. **ALWAYS USE CARTRIDGE FILTER FOR DRY VACUUMING.** If the machine is used for dry vacuuming with out the cartridge filter and retainer attached, the motor will burn out and the warranty will be voided. Always keep spare filters on-hand.

**NOTICE!** The filters included are made of high quality materials designed to stop small dust particles. The cartridge filter should be used for dry pick-up only. A dry cartridge filter is necessary to pick up dust. If the cartridge filter is wet, it will clog quickly and be very difficult to clean. Handle the filter carefully when removing it for cleaning and replacing it. Check the filters for tears or small holes, a small hole can let dust pass through and out of the cleaner. Do not use a filter with holes or tears, replace it immediately.

## INSTALLING & CLEANING FOAM SLEEVE FILTER



### Installing Foam Sleeve Filter

1. Verify that the power cord is disconnected from the outlet. (fig. 1)
2. Remove power head and place in upside down position. Follow instructions to remove cloth filter.
3. Carefully slide foam sleeve filter down over the filter cage making sure the whole cage is covered. (fig. 2 & 3)
4. Replace the power head on to the container.

### Cleaning Foam Sleeve Filter

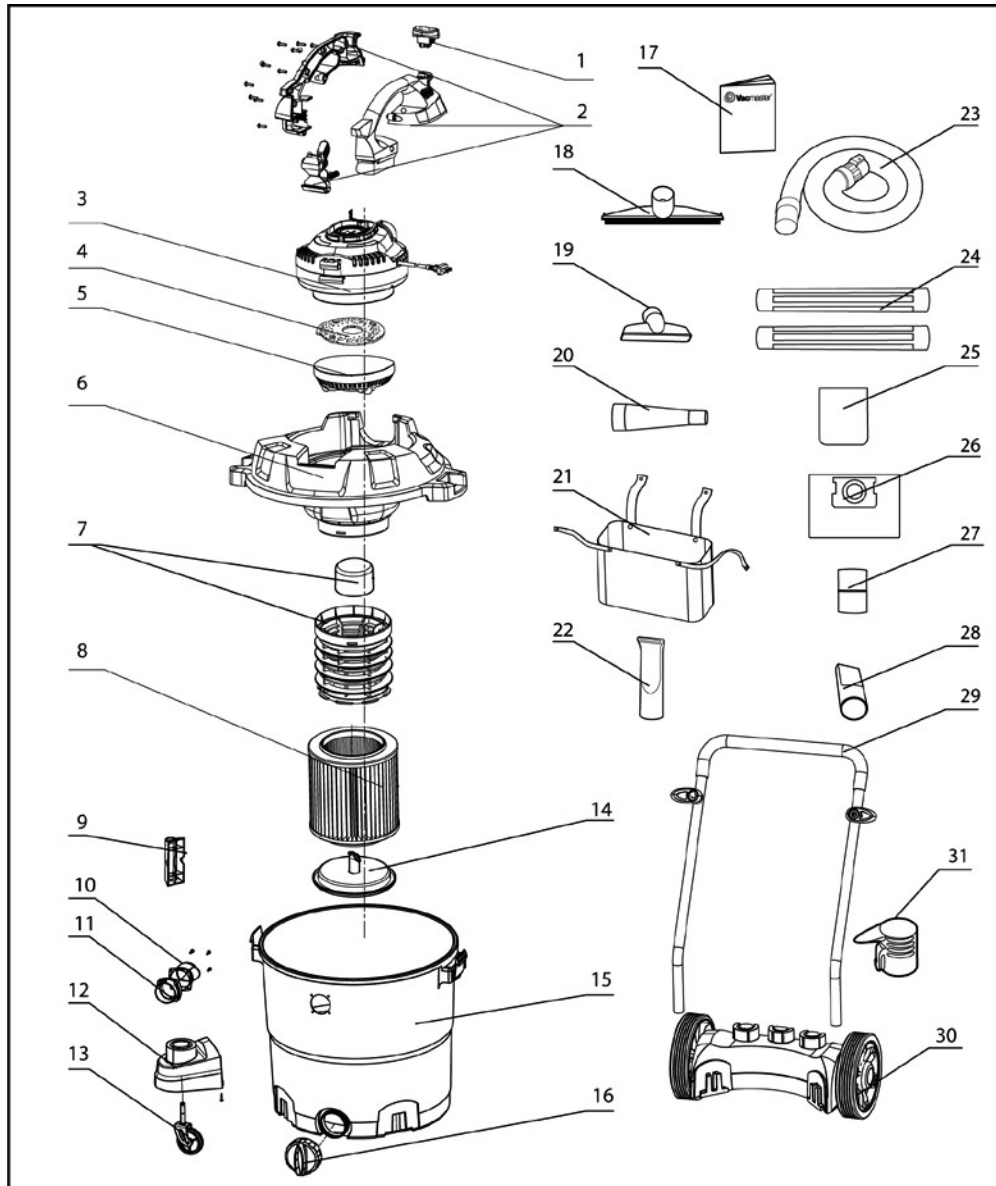
1. With the removed power head in the upside down position, carefully remove foam sleeve filter. (fig. 4)
2. Use a mild soap and water solution to wash foam sleeve filter and rinse with clean water. (fig. 5)
3. Allow filter to air dry before installing and using again.

## TROUBLESHOOTING

**WARNING! TO REDUCE THE RISK OF ELECTRIC SHOCK-UNPLUG BEFORE TROUBLESHOOTING**

Symptom	Possible Causes	Corrective Action
Vacuum will not operate	1) No power supply.	1) Check power supply – cord, breakers, fuses.
	2) Faulty power cord.	2) Unplug and check the power cord. If damaged, have it repaired by a professional.
	3) Container full.	3) Empty container.
Dust comes out from motor cover.	1) The cartridge filter is missing or damaged.	1) Attach or replace cartridge filter.
Reduced efficiency and motor/speed vibration.	1) There is a blockage in the nozzle, hose, or the container inlet. The cartridge filter is clogged by fine dust.	1) Check nozzle, hose and container inlets for blockage. Take off the filter and clean it. Or install a new cartridge filter.

# PARTS - EXPLODED VIEW



CVBV1411PWT Manual Parts List

Key Number	Drawing Number	Description	Quantity	Key Number	Drawing Number	Description	Quantity
1	W0DQ10.01.12	Power Switch	1	17	VR10BZ.20.60.01	Manual	1
2	VR0IPF.10.10	Handle Assembly	1	18	FV6761.00.00	Floor Squeegee	1
3	VR12PW.00.00	Power Head Blower Assembly	1	19	FV6772.01.01	Utility Nozzle	1
4	VR01PF.10.08	Blower Filter	1	20	FV6771.02.01	Blower Nozzle	1
5	VR01PF.10.09	Blower Guard	1	21	FV9243.01.00.55	Accessory Pouch	1
6	VR21PF.20.20	Container Lid	1	22	FV6771.03.01	Car Claw	1
7	VJ01PF.13.00	Float & Filter Cage	1	23	FV6823.01.00	Hose	1
8	FV9546.02.00	Cartridge Filter	1	24	FV6901.01.01	Extension Wands	2
9	VJ71PW.11.00	Handle Base Assembly	1	25	FV9501.02.00	Foam Sleeve Filter	1
10	TVQTXK.07.02	Vacuum Port Deflector	1	26	FV9612.03.00	Collection Bag	1
11	TVQTXK.06.01	Vacuum Port Assembly	1	27	FV6311.04.01	Blower Adaptor	1
12	TVQJJC.14.00	Caster Foot	2	28	FV6771.01.01	Crevice Tool	1
13	TVQJL.18.00	Caster	2	29	VJ71PW.30.00	Push/Pull Handle Assembly	1
14	FV9546.01.20	Filter Retainer	1	30	VJ62PW.22.00	Big Wheel Caddy Assembly	1
15	VR10PW.10.01	Container	1	31	VJ03PF.12.00	Noise Diffuser	1
16	VB01PF.20.01	Drain Cap	1				

This manual was downloaded from

# wet-dry-vac.com

The most comprehensive source of information about wet/dry shop vacuums on the Internet!

Wet-dry-vac.com allows you to learn about how to purchase a wet/dry vac, compare and review detailed specifications on hundreds of models, and find compatible filters.

You can also view manuals, parts lists and brochures for hundreds of models. Plus, you can find the best prices for vacuums and filters, and purchase online right from the site.

